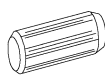
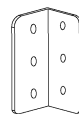
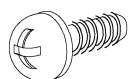


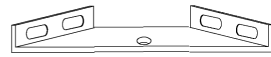

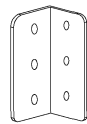


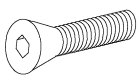
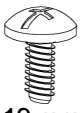


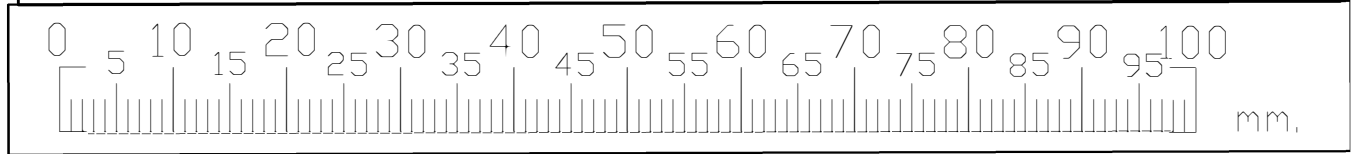
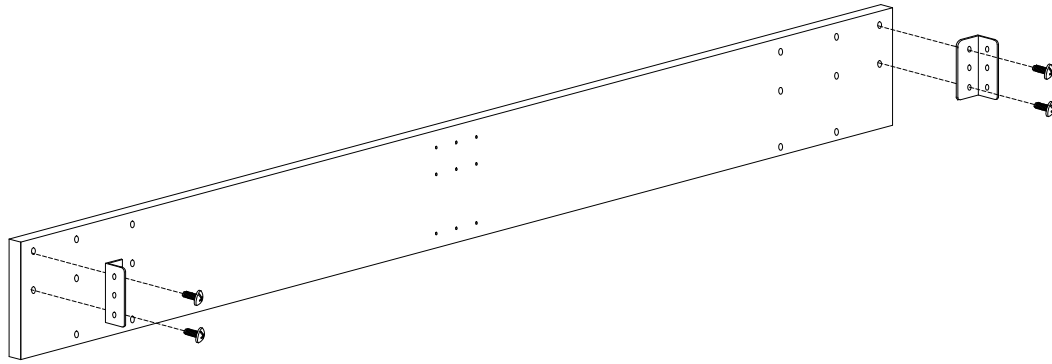


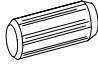
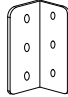
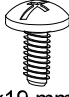
B	 8x30 mm.	x4	P13	 x4	T820	 8x25 mm.	x2	
F11	 h 140 mm.	x2	M9	 6x19 mm.	x38	P32	 x6	
						E7X70	 7x70 mm.	x4

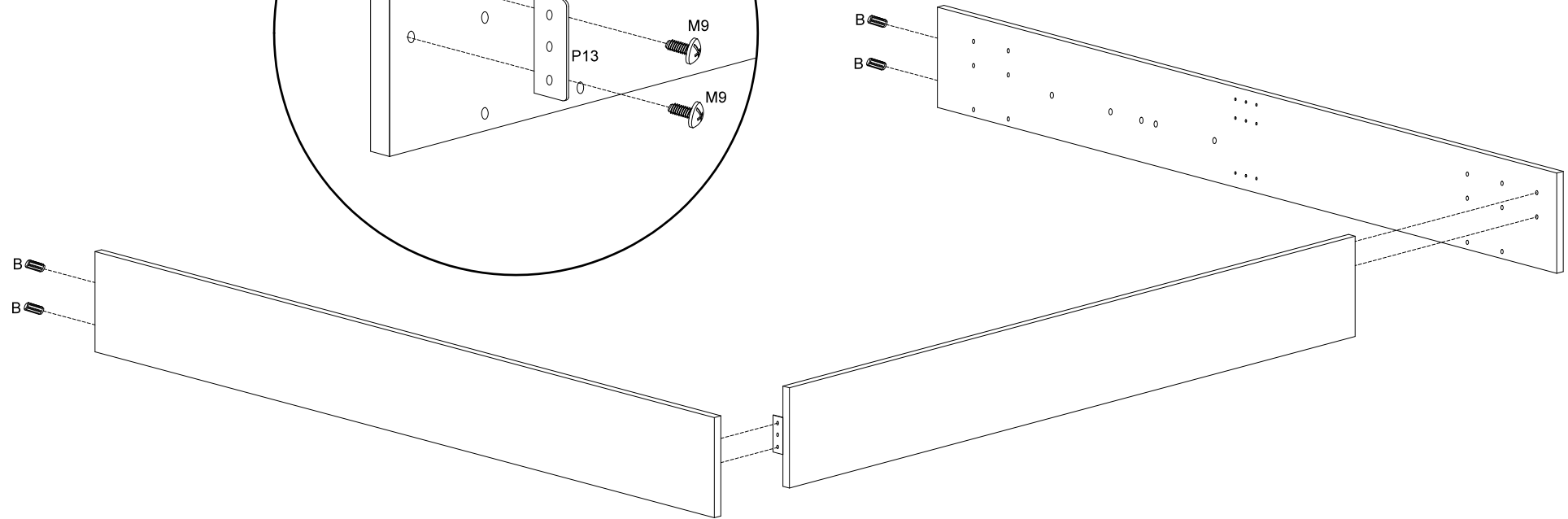
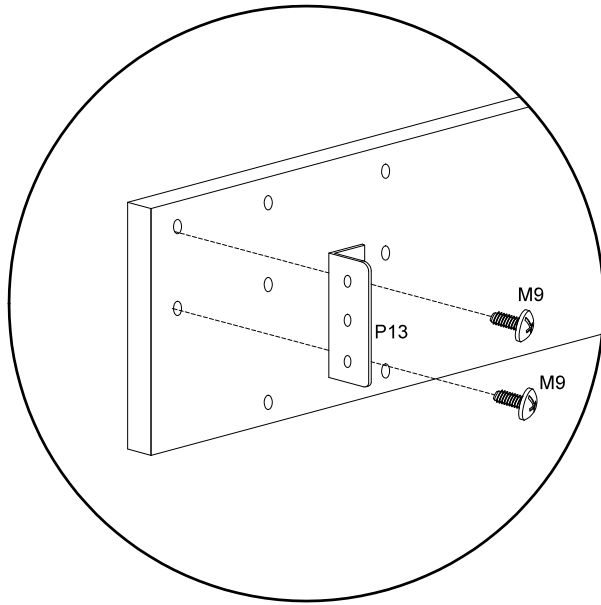
P13	 x2	F11	 h 140 mm.	x4	685223-77
P32	 x2	T8X40	 8x40 mm.	x4	T620
M9	 6x19 mm.	TAP20	 ø20 mm.	x2	 6x20 mm. x8



1

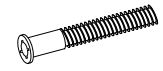


- B  8x30 mm. x4
- P13  x2
- M9  6x19 mm. x8



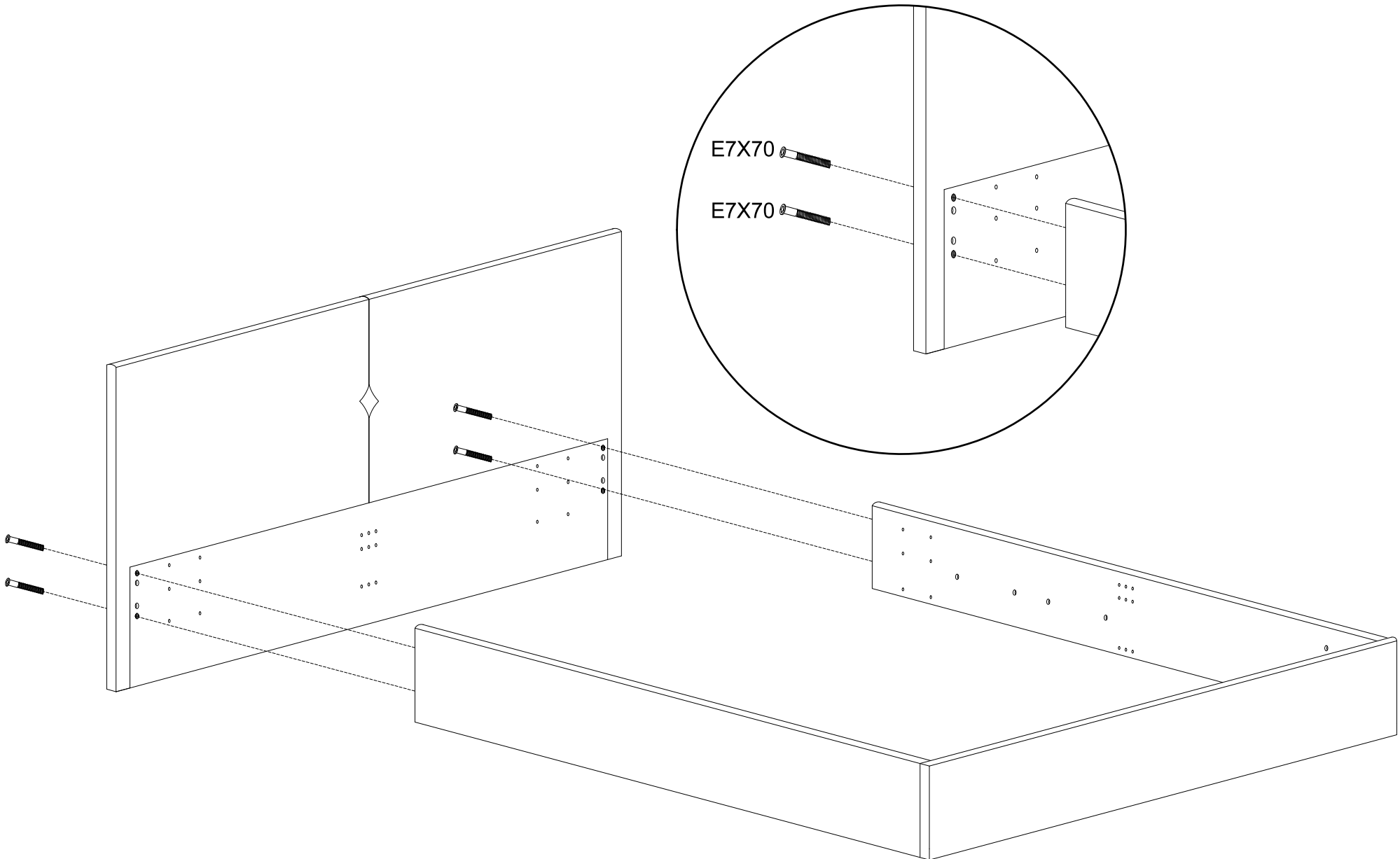
2

E7X70



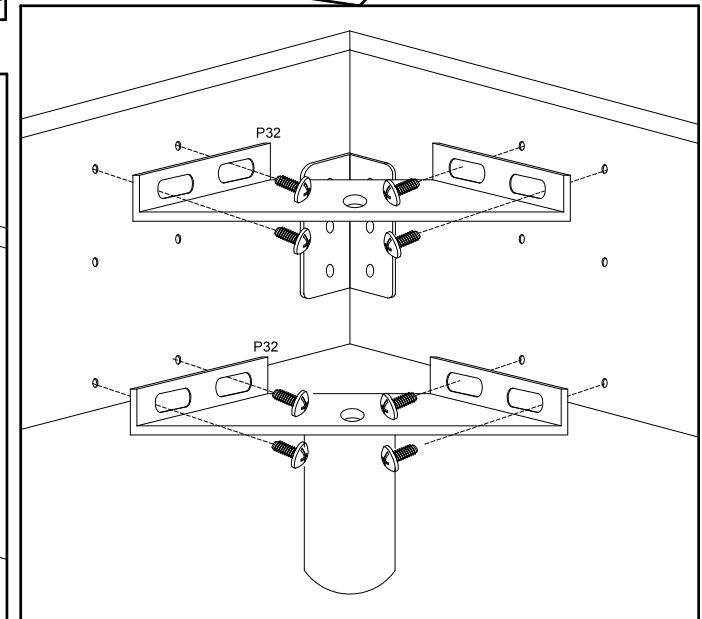
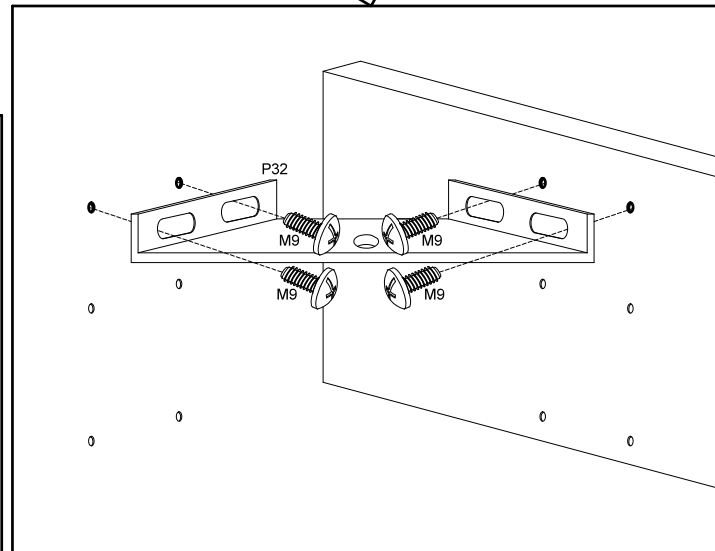
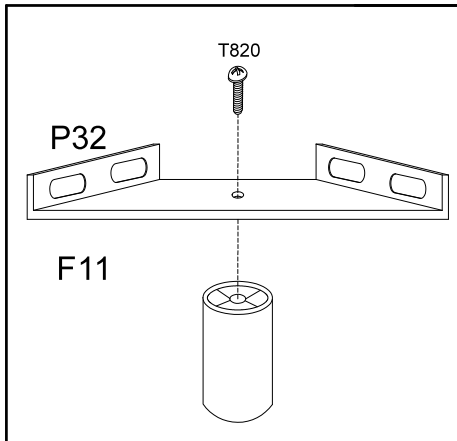
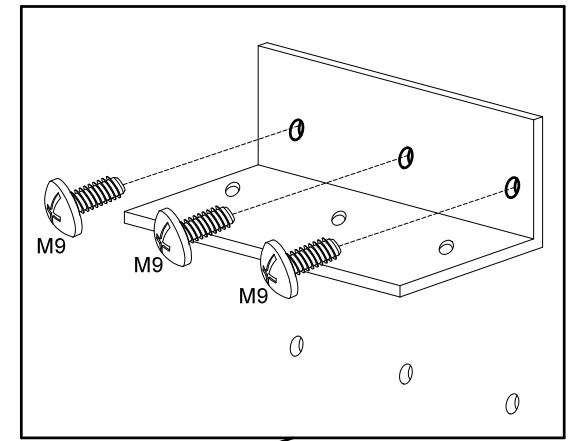
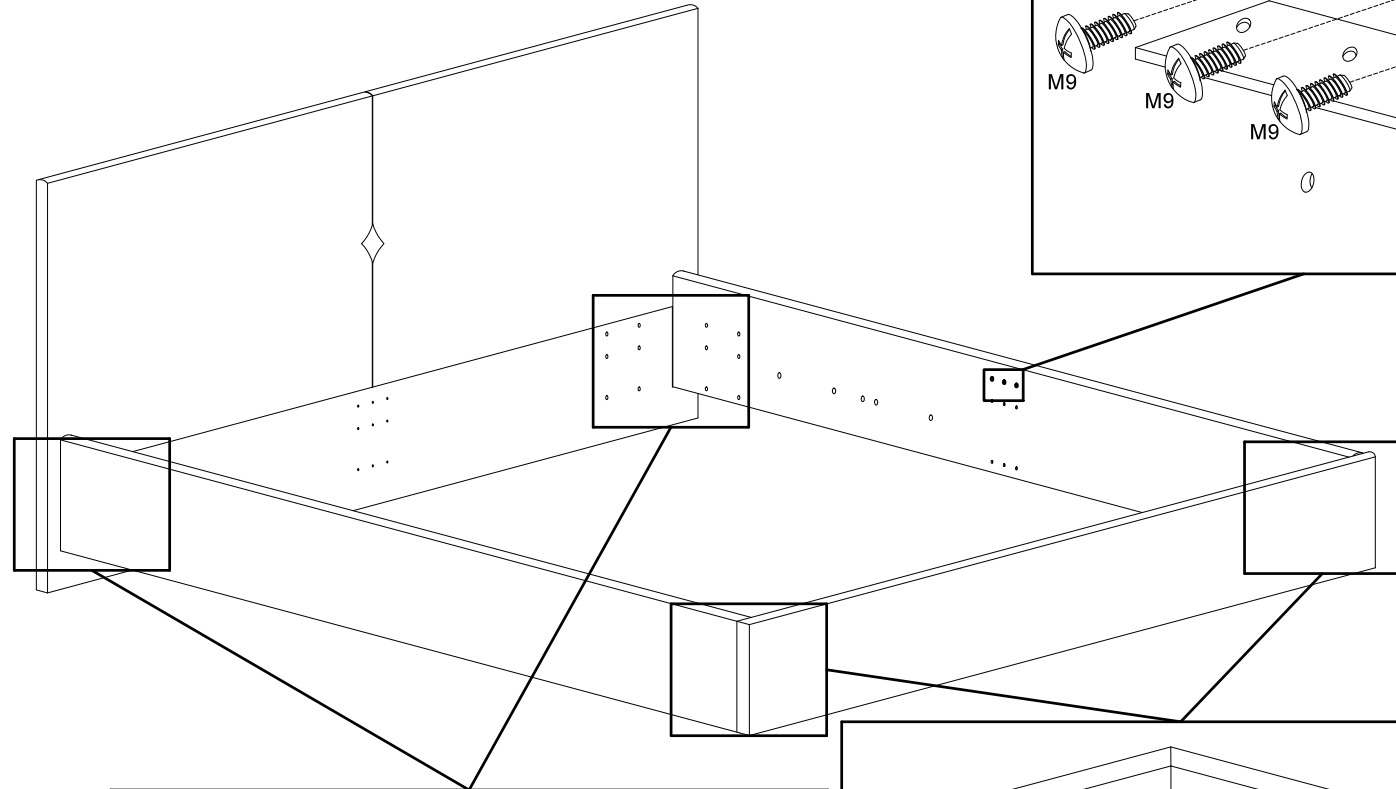
7x70 mm.

x4



3

HIGH POSITION



4

LOW POSITION

