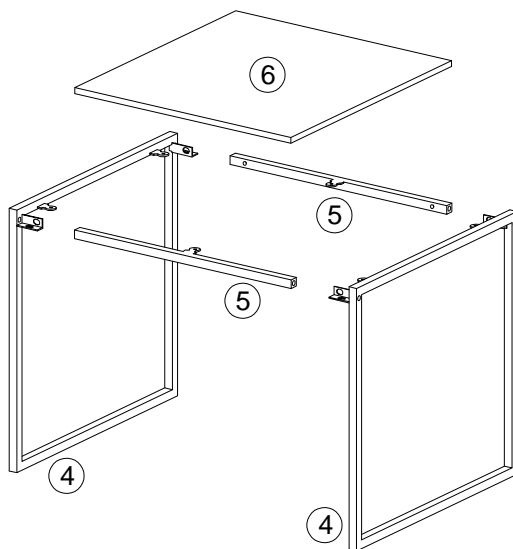
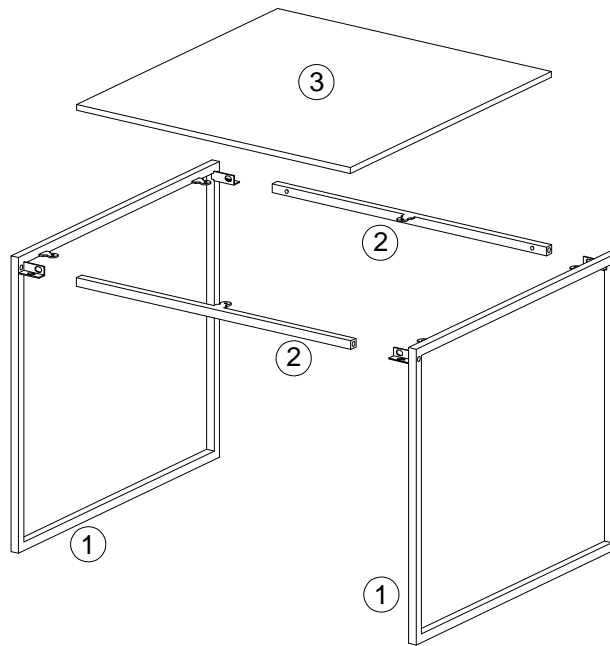



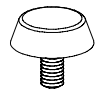


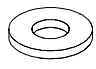




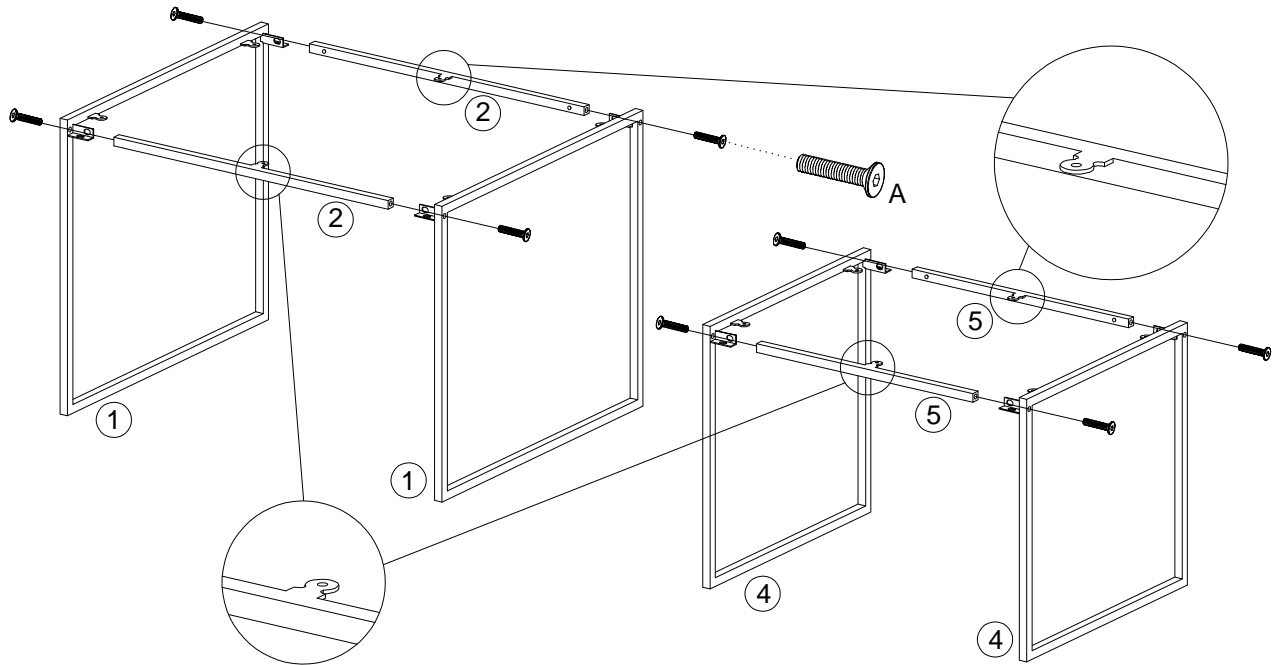
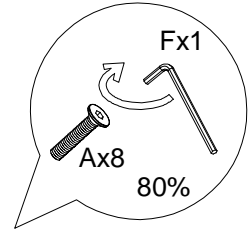
			✓
①	2	445x500x48/13	
②	2	474x13x39/13	
③	1	473x500x9	
④	2	395x400x48/13	
⑤	2	374x13x39/13	
⑥	1	373x400x9	





<p>A x 8</p>  <p>M5x28 mm</p>	<p>B x 16</p>  <p>M6x10 mm</p>	<p>C x 12</p>  <p>Ø4x10 mm</p>	<p>D x 8</p>  <p>M6/Ø13 mm</p>	<p>E x 1</p>  <p>4 mm</p>
<p>F x 1</p>  <p>3 mm</p>	<p>G x 12</p>  <p>Ø4/Ø9 mm</p>			

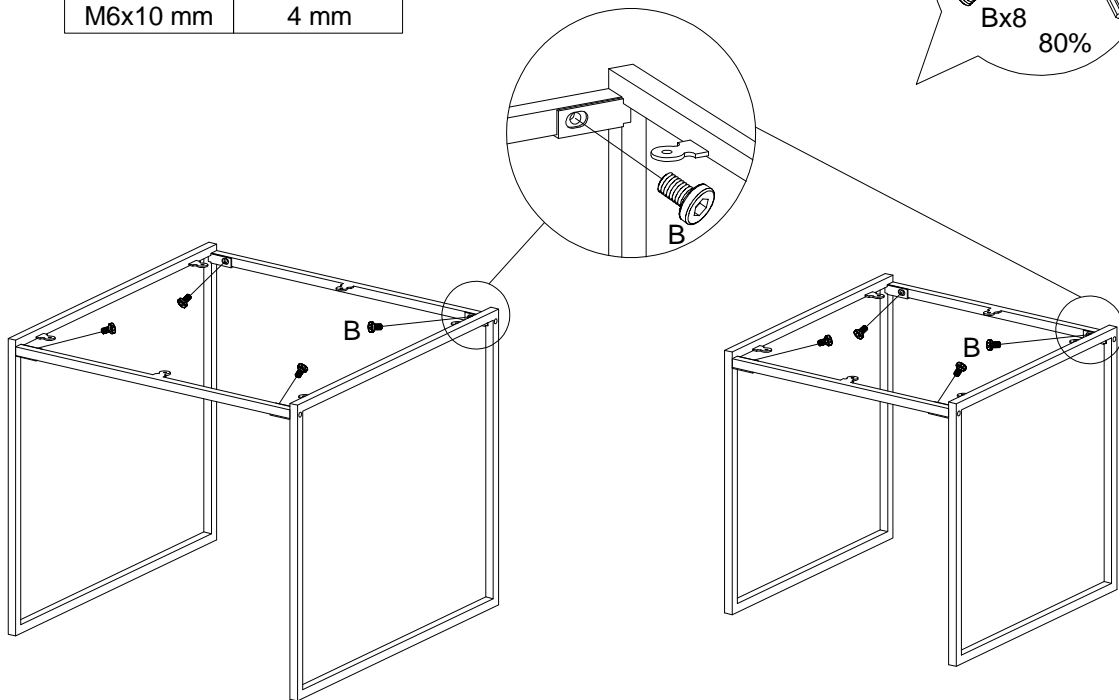
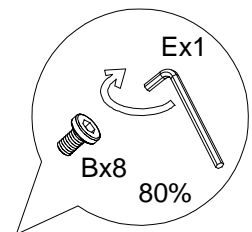
1

A x 8	F x 1
	
M5x28 mm	3 mm





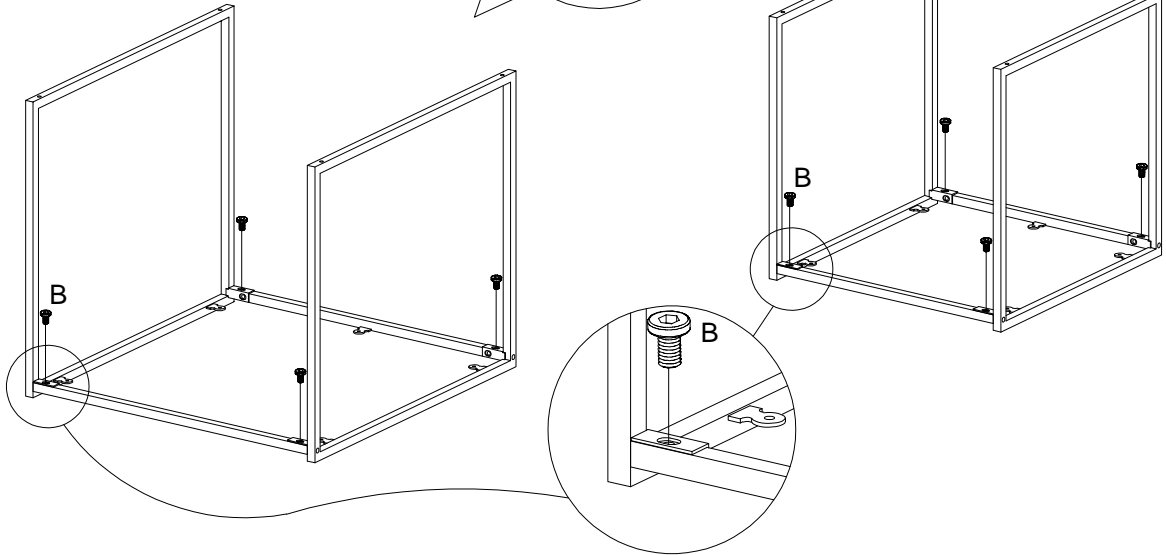
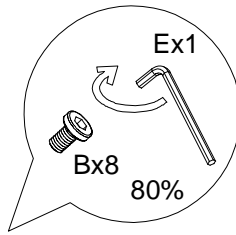
2

B x 8	E x 1
	
M6x10 mm	4 mm








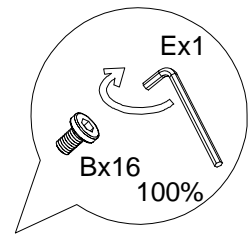
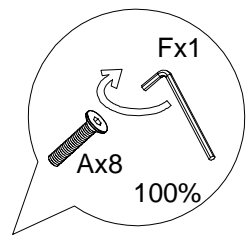
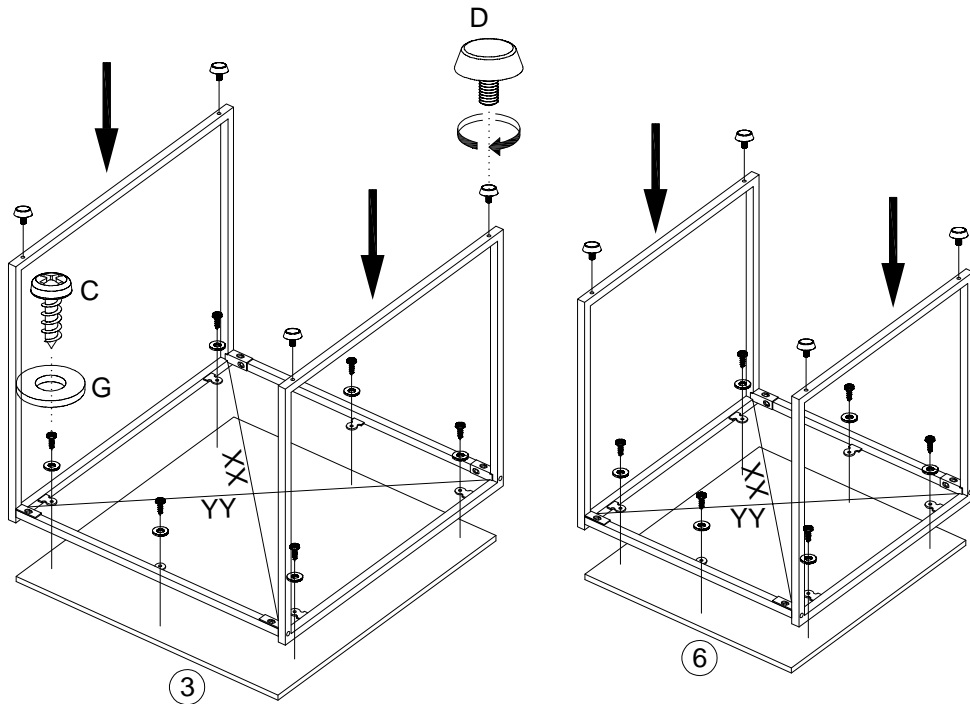
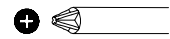
3

B x 8  M6x10 mm	E x 1  4 mm
--	--



4

C x 12  Ø4x10 mm	D x 8  M6/Ø13 mm	E x 1  4 mm	F x 1  3 mm	G x 12  Ø4/Ø9 mm
---	---	--	--	---



5

