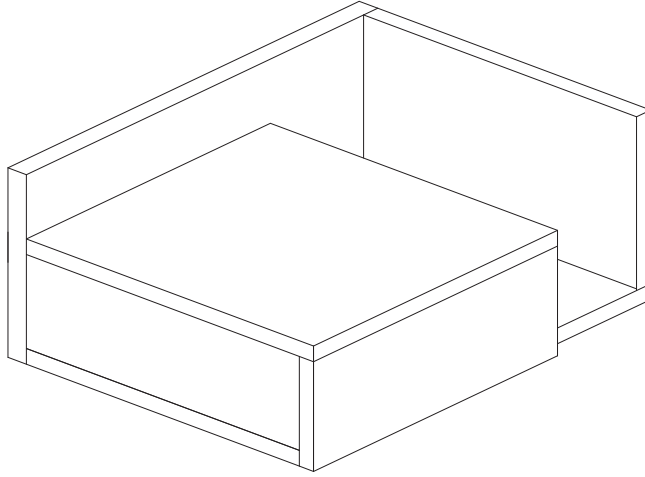
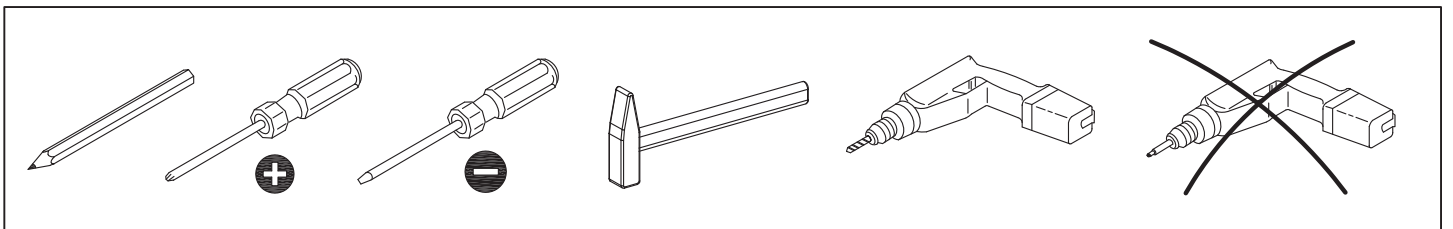
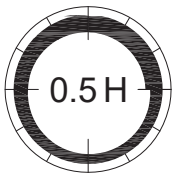
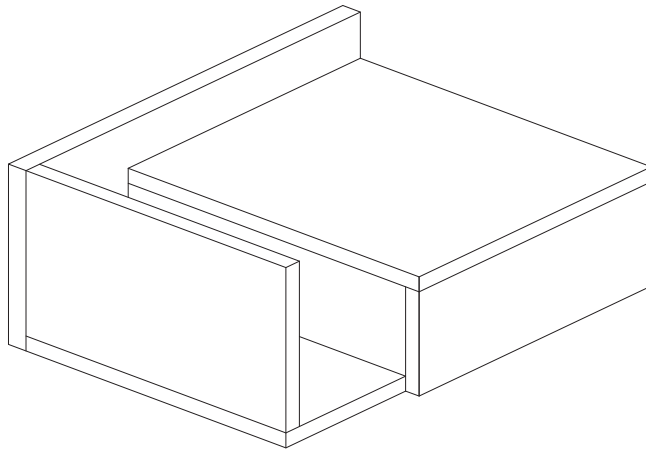


A

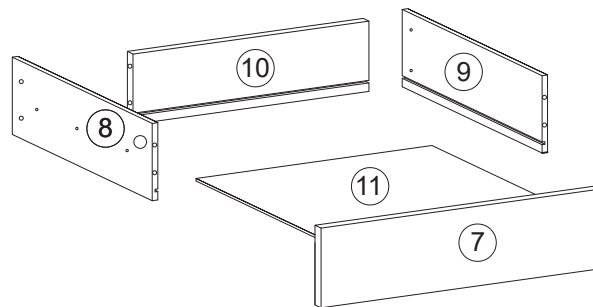
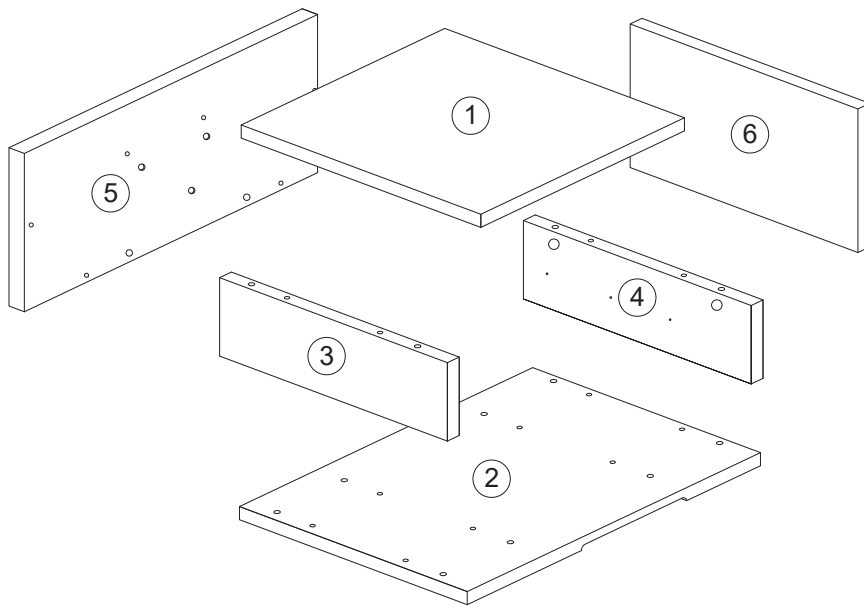


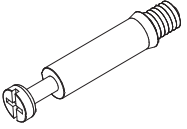
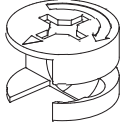
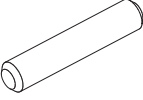
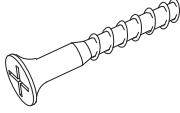
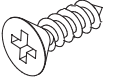
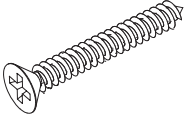
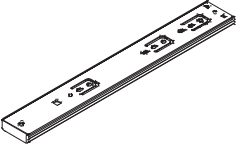

B



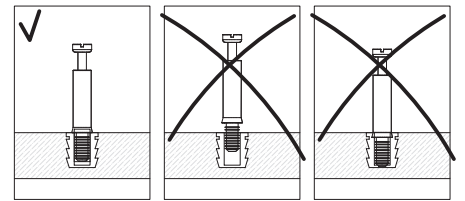
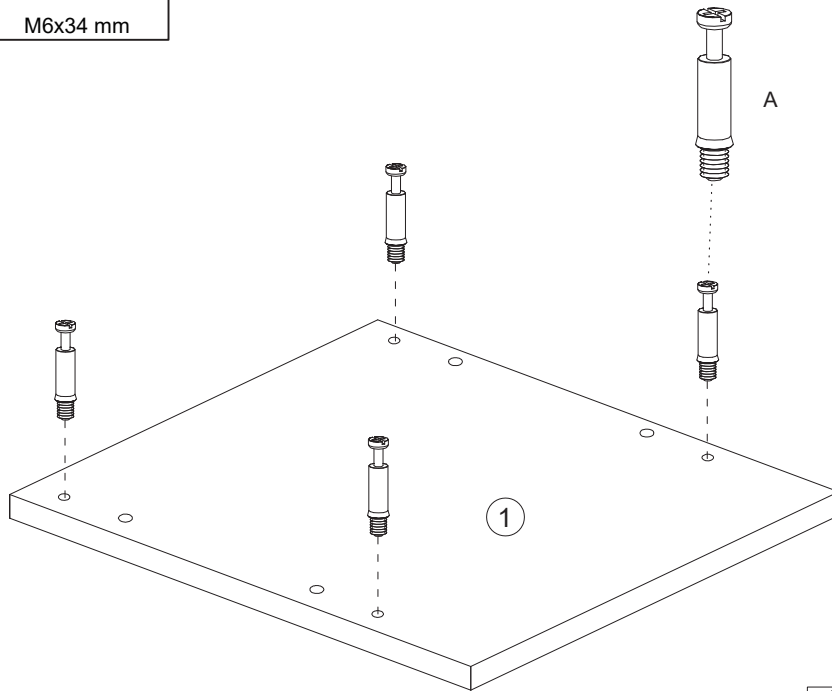
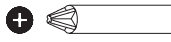
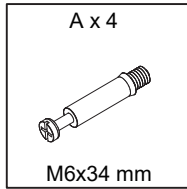
			✓
①	1	300X305X15	
②	1	400X288X15	
③	1	287X92X15	
④	1	287X92X15	
⑤	1	401X165X15	
⑥	1	287X149X15	
⑦	1	298X103X15	

			✓
⑧	1	250X72X12	
⑨	1	250X72X12	
⑩	1	216X72X12	
⑪	1	246X223X3	

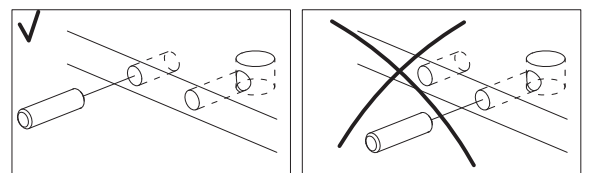
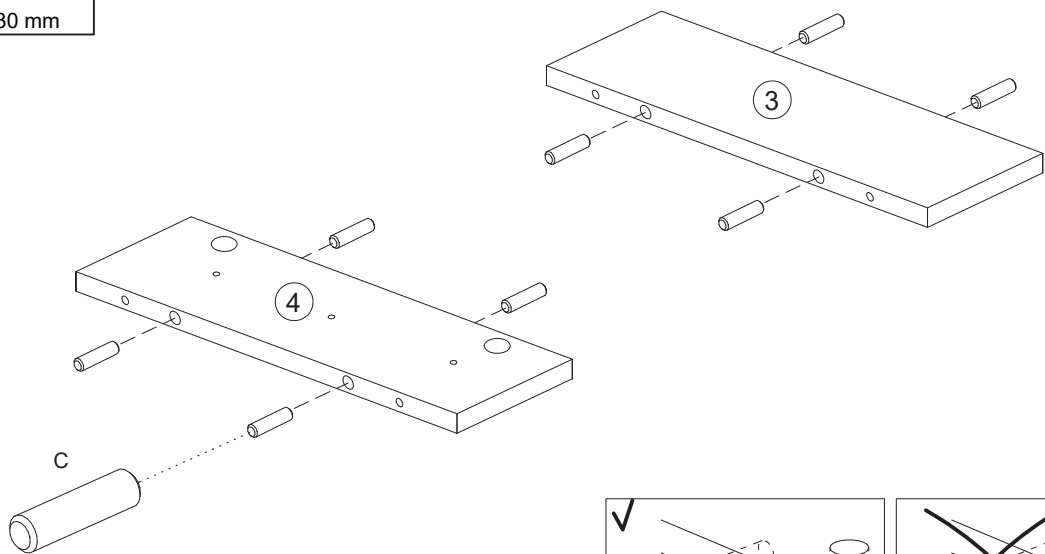
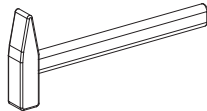
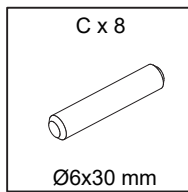


<p>AX 6</p>  <p>M6/34 mm</p>	<p>BX 6</p>  <p>Ø15x9,5 mm</p>	<p>CX 14</p>  <p>Ø6x30 mm</p>	<p>DX 11</p>  <p>Ø5x30 mm</p>	<p>EX 12</p>  <p>Ø3,5x12 mm</p>
<p>FX 4</p>  <p>Ø4x30 mm</p>	<p>GX 2</p>  <p>250x45x13 mm</p>	<p>HX 2</p>  <p>Ø20 mm</p>		

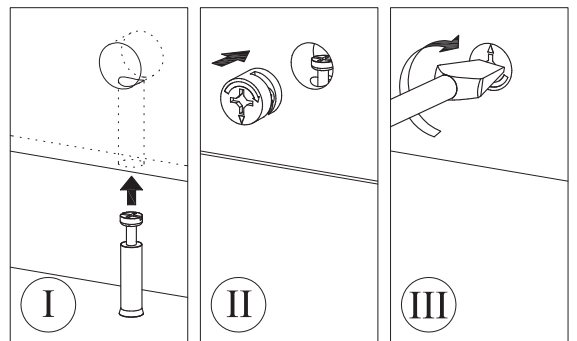
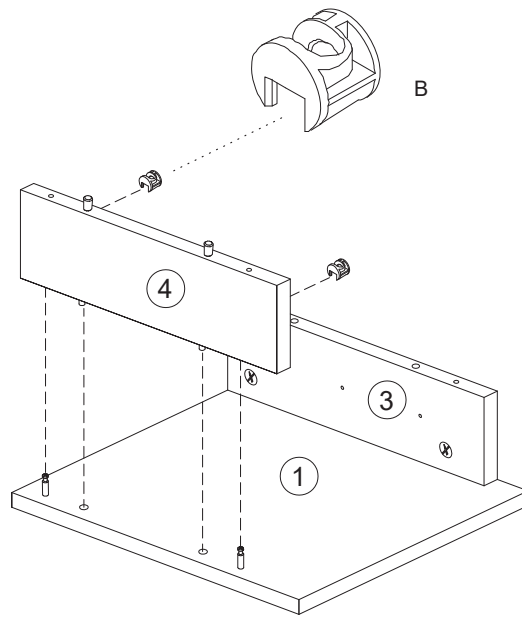
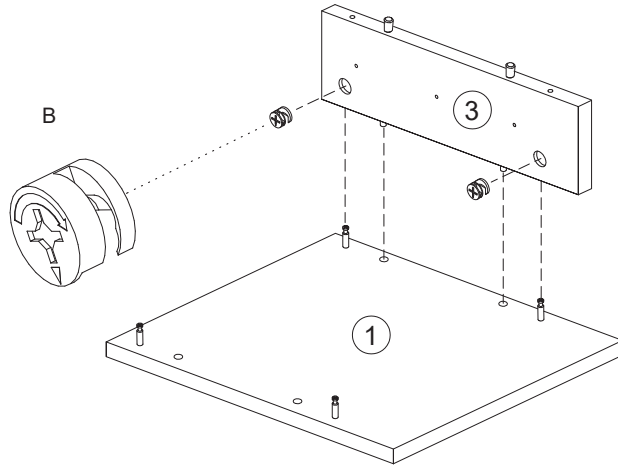
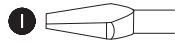
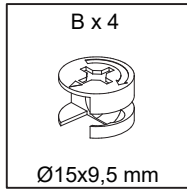
1



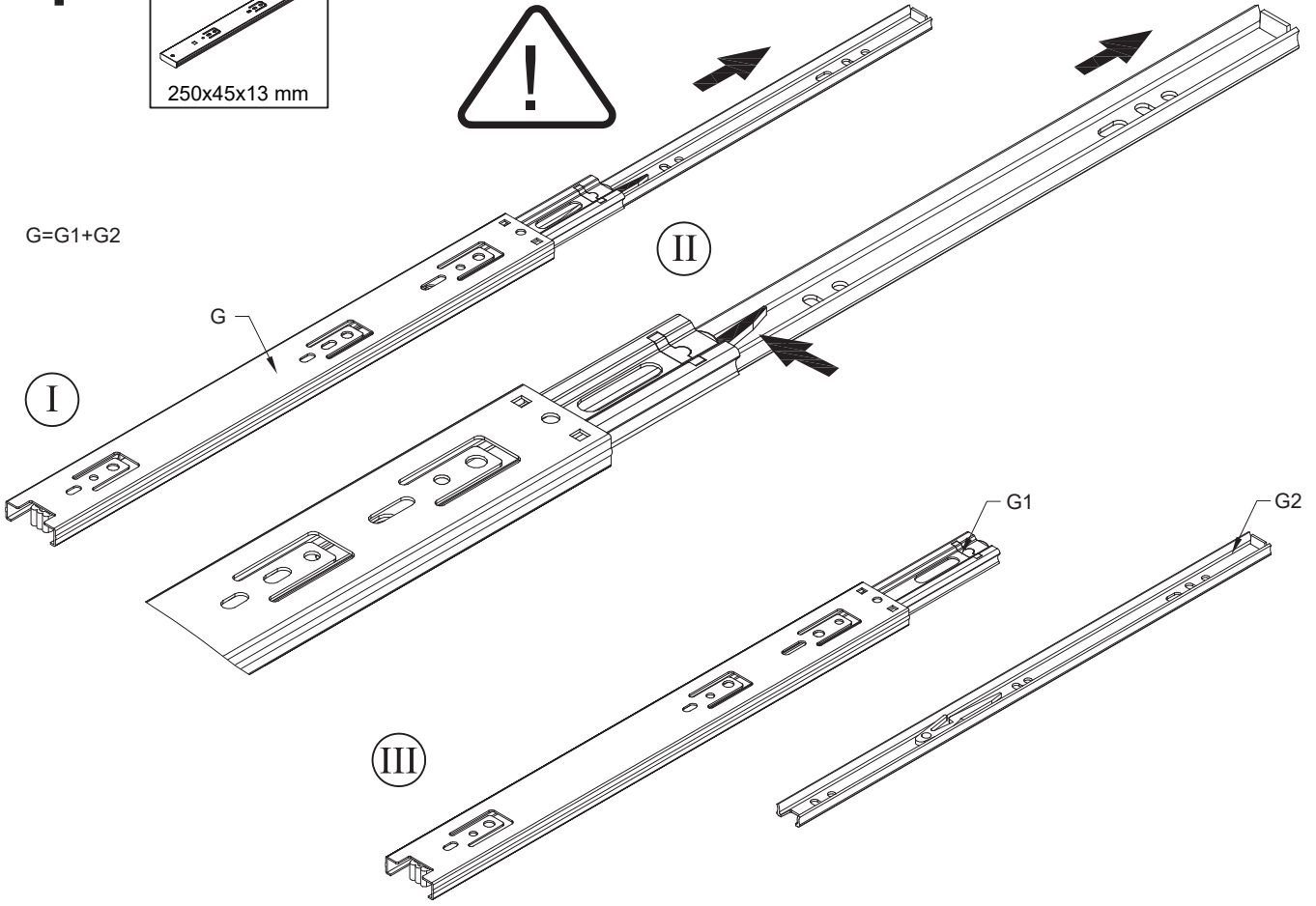
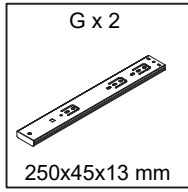
2



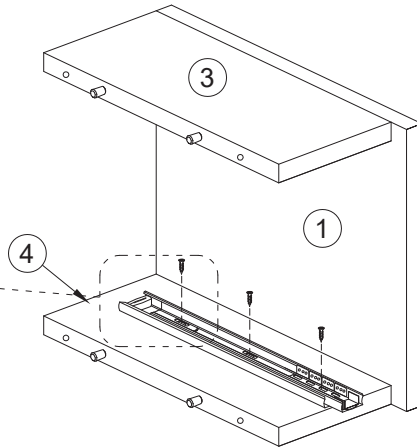
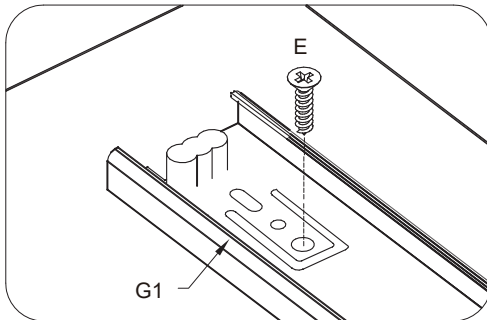
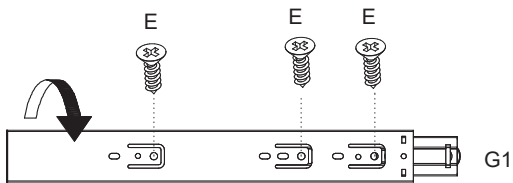
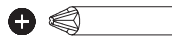
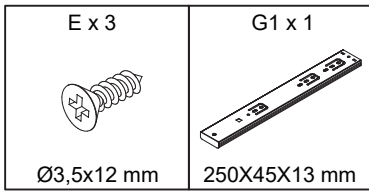
3



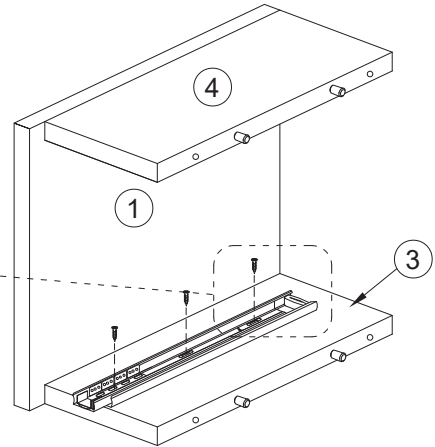
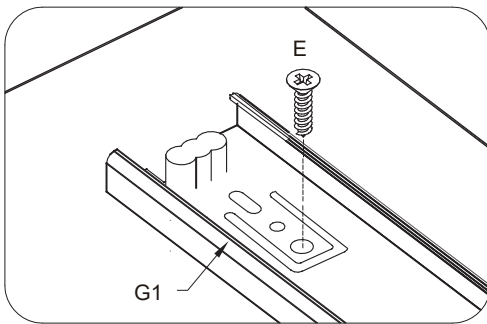
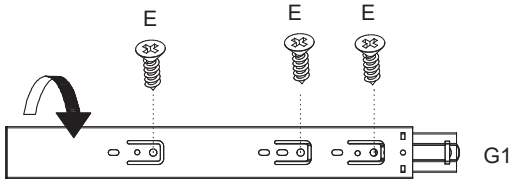
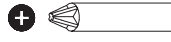
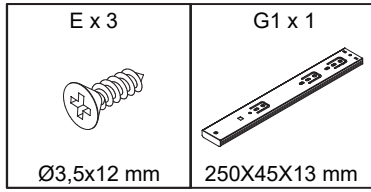
4



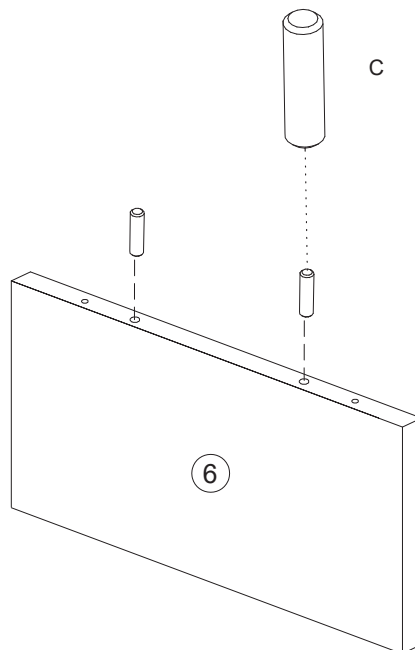
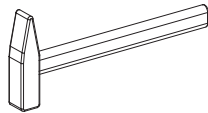
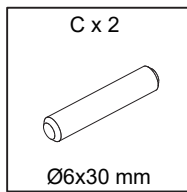
5



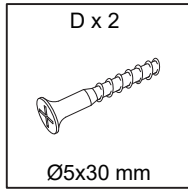
6



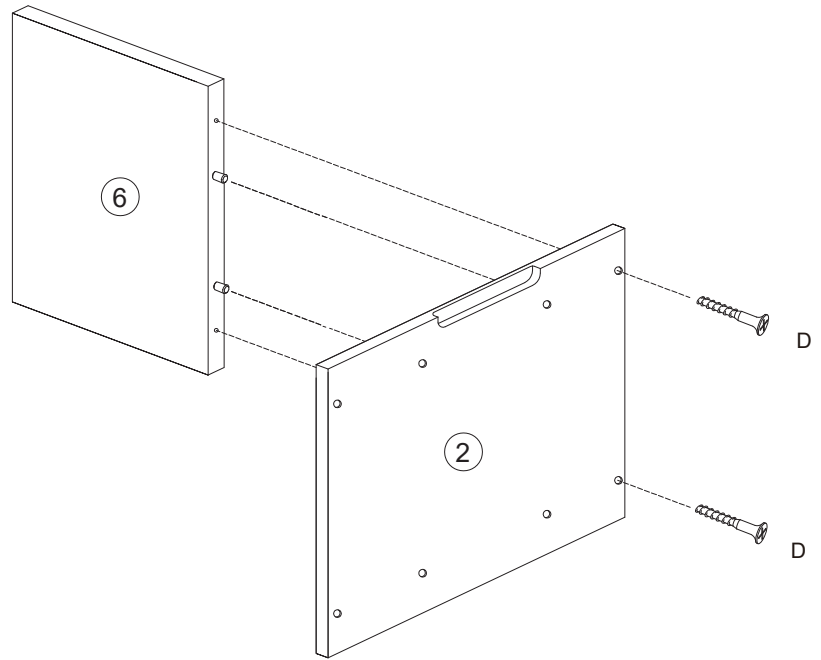
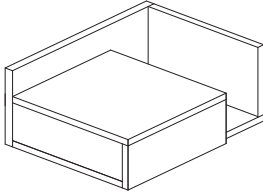
7



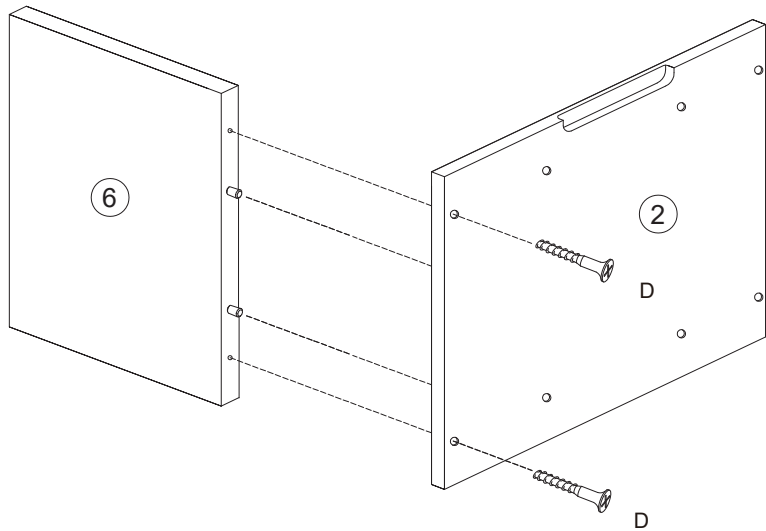
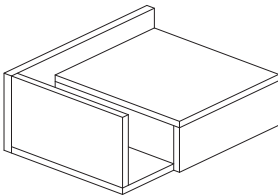
8



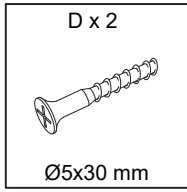
A



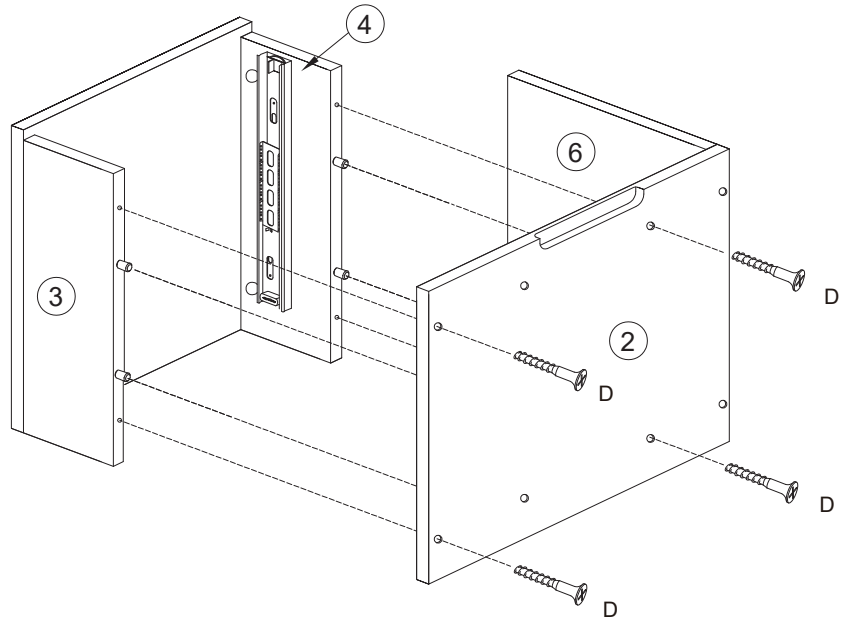
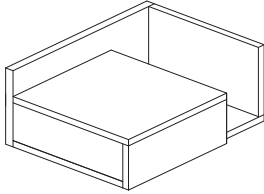
B



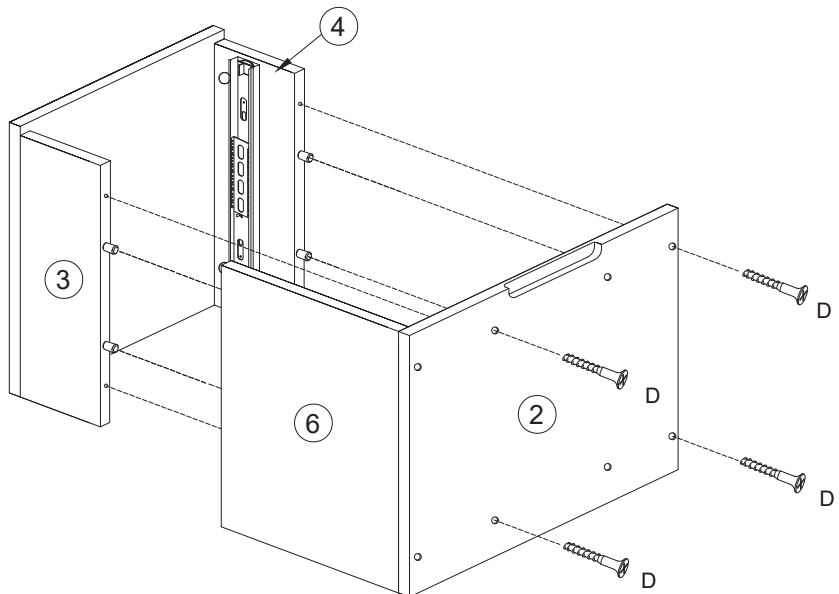
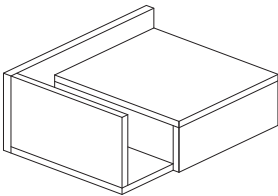
9



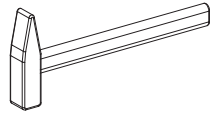
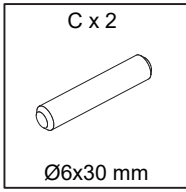
A



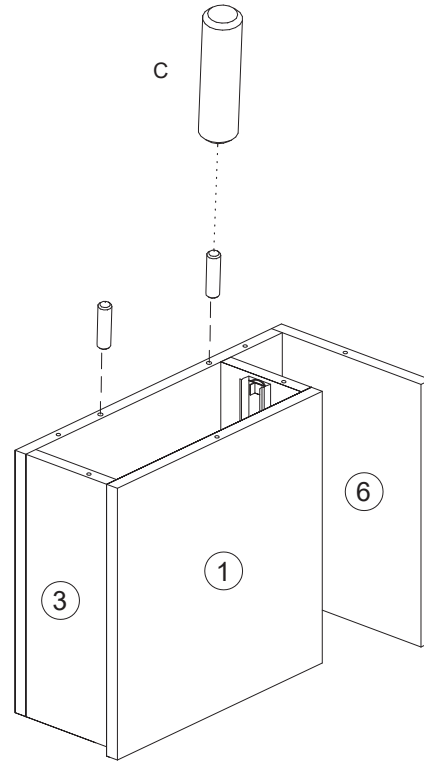
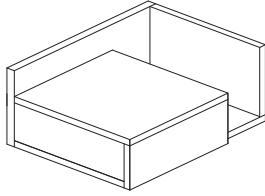
B



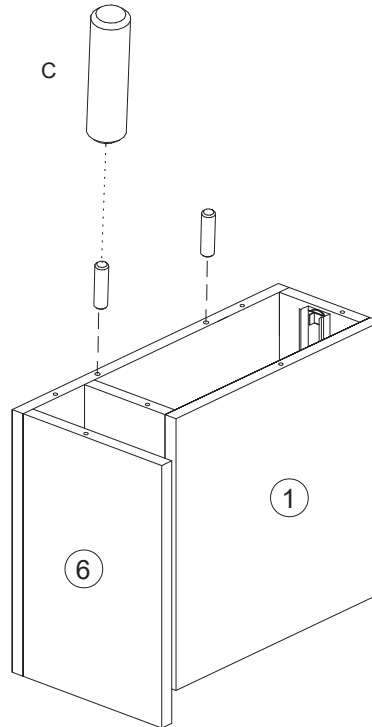
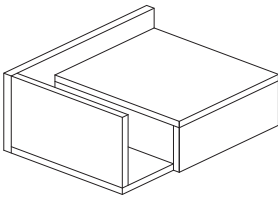
10



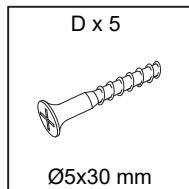
A



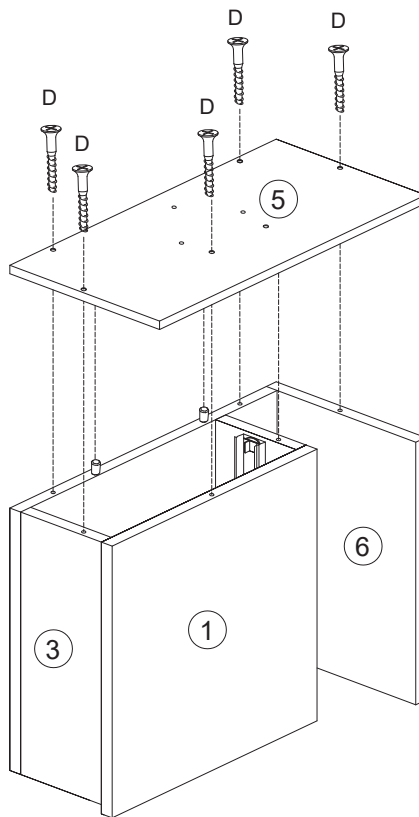
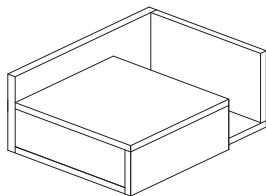
B



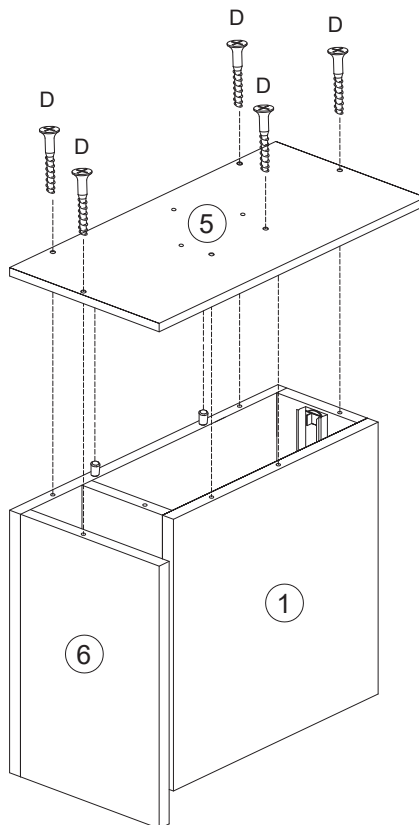
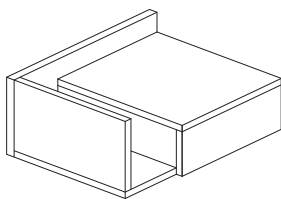
11



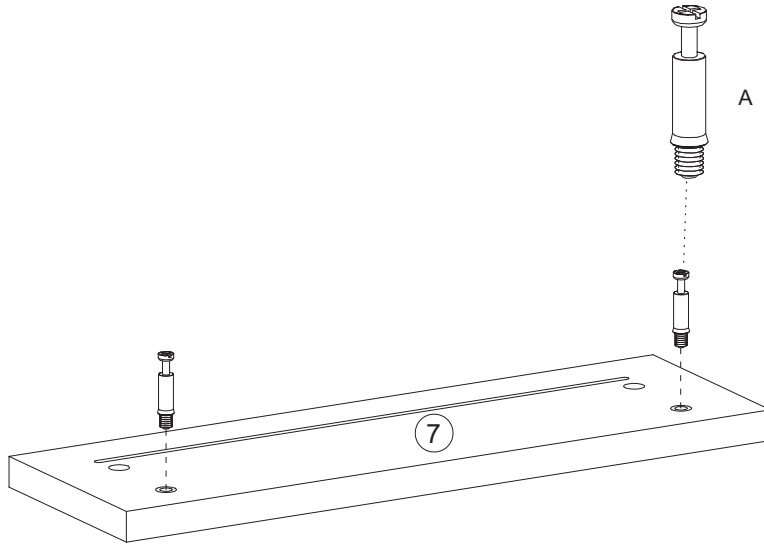
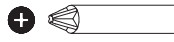
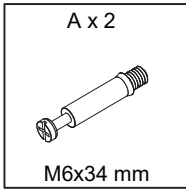
A



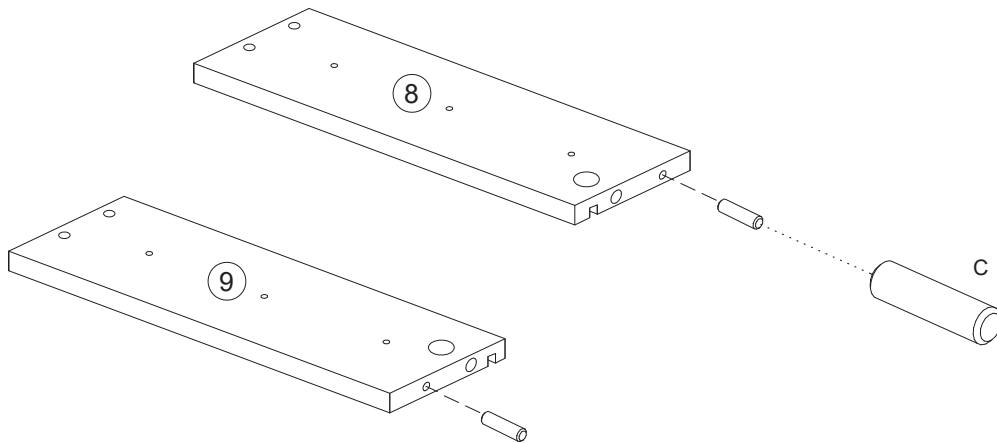
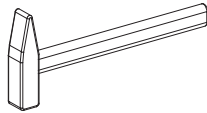
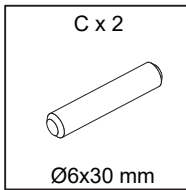
B



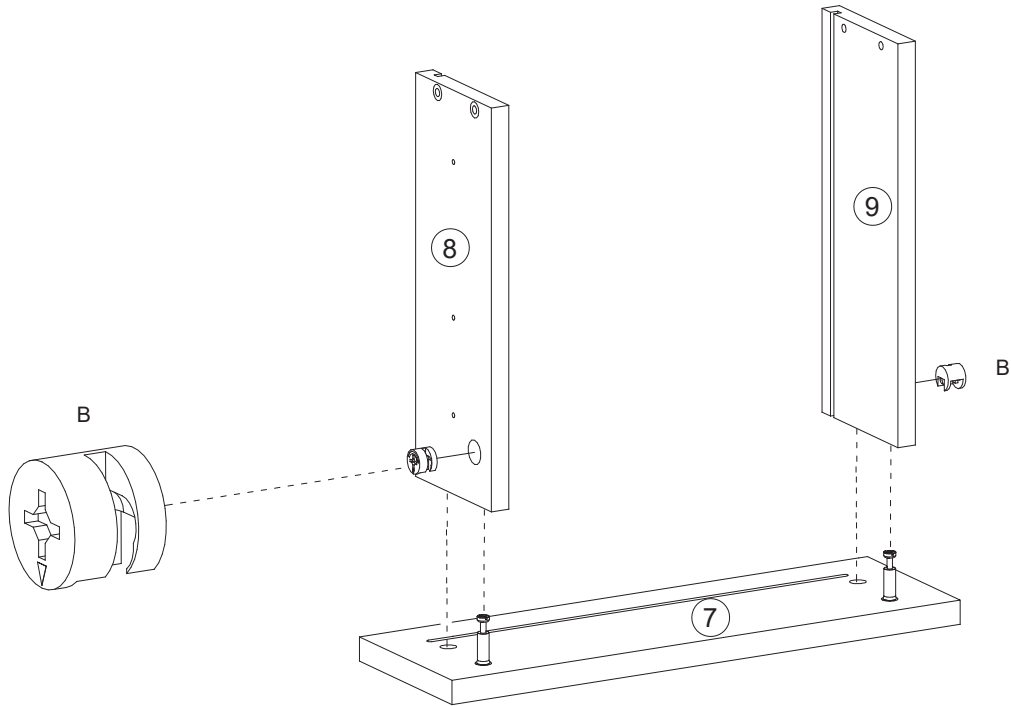
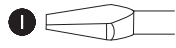
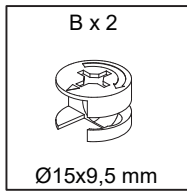
12



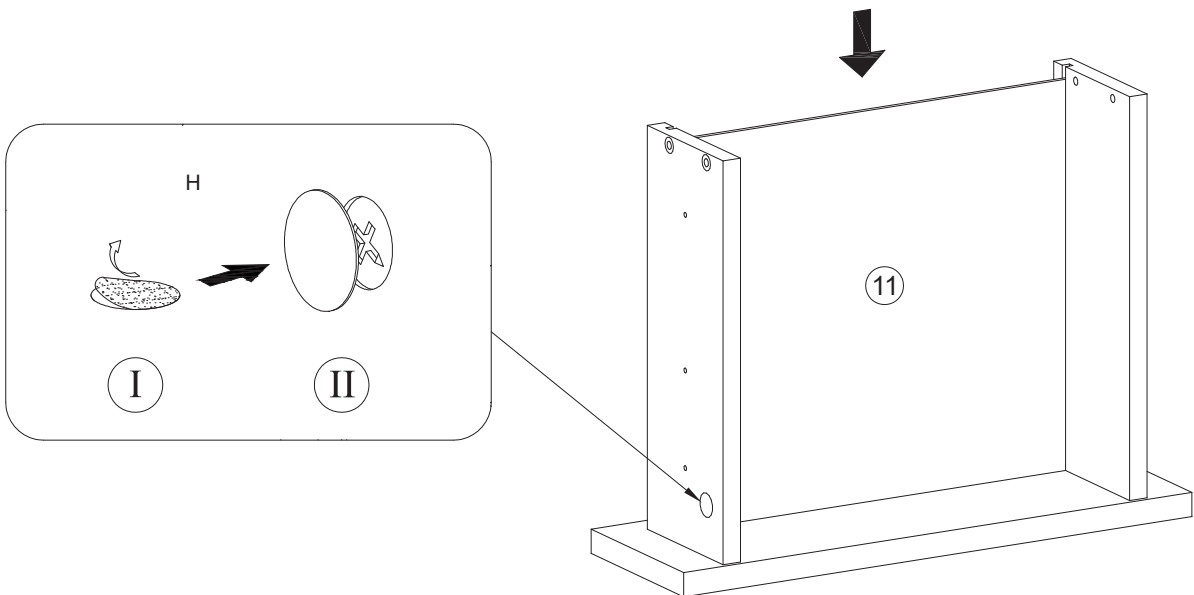
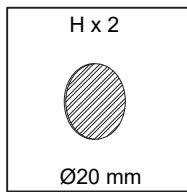
13



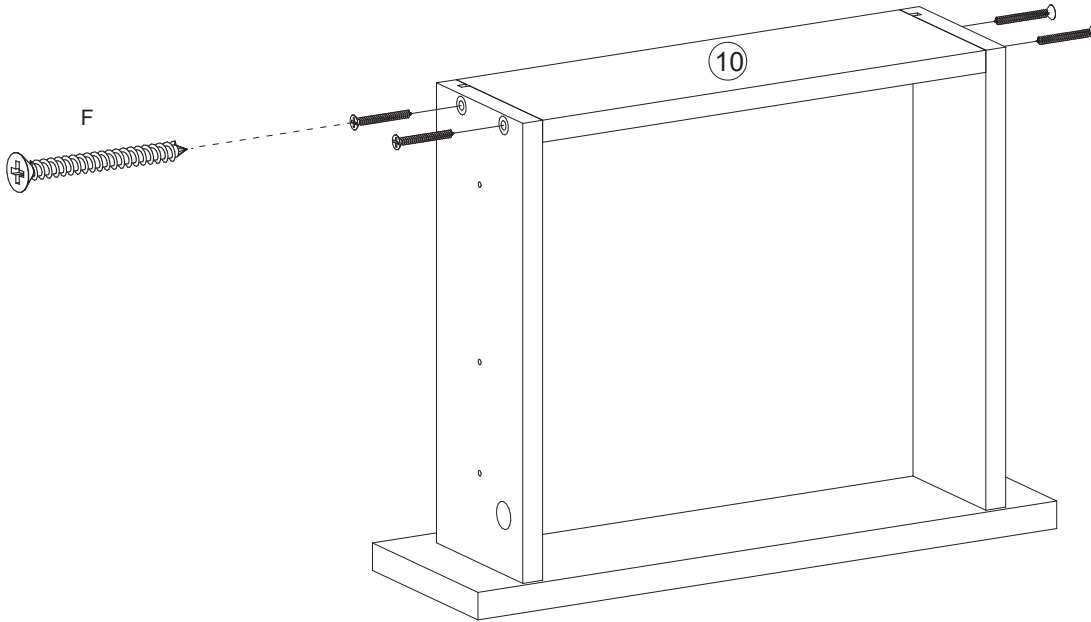
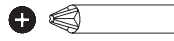
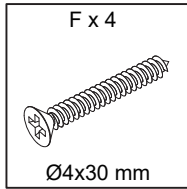
14



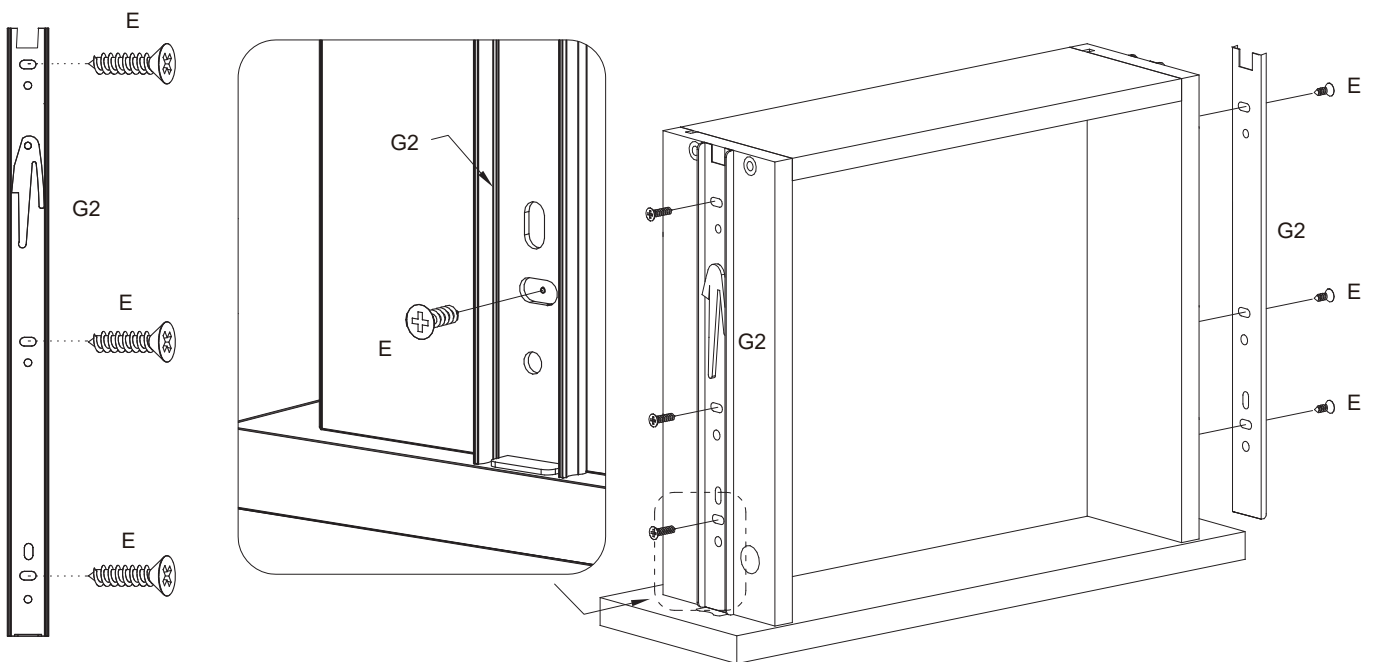
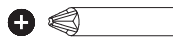
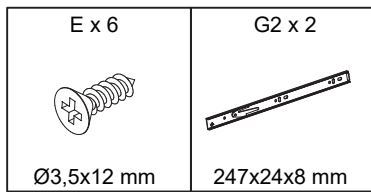
15



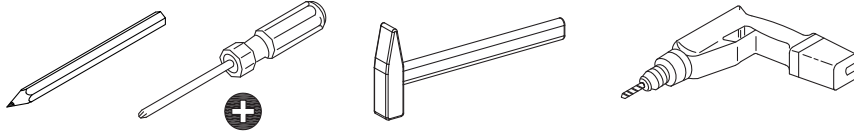
16



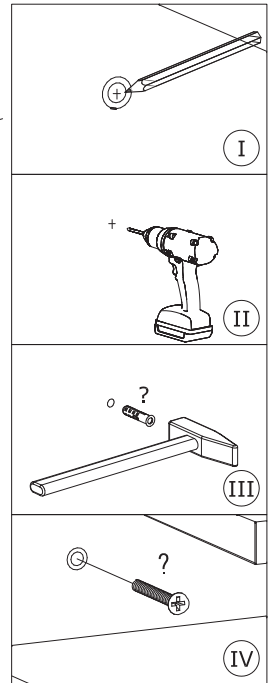
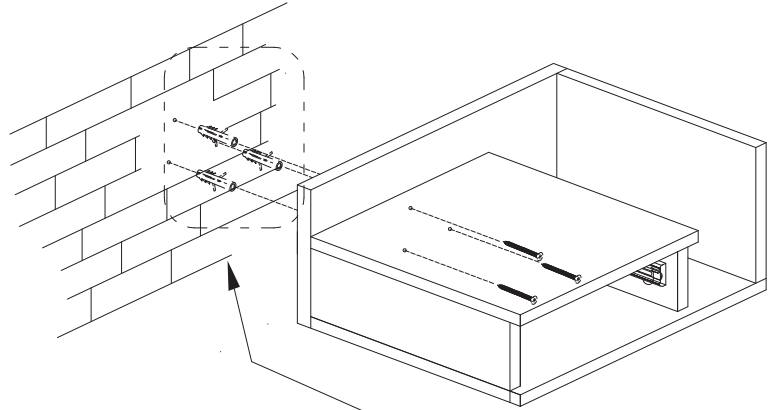
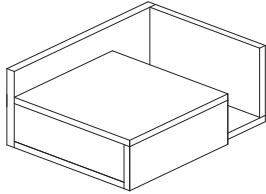
17



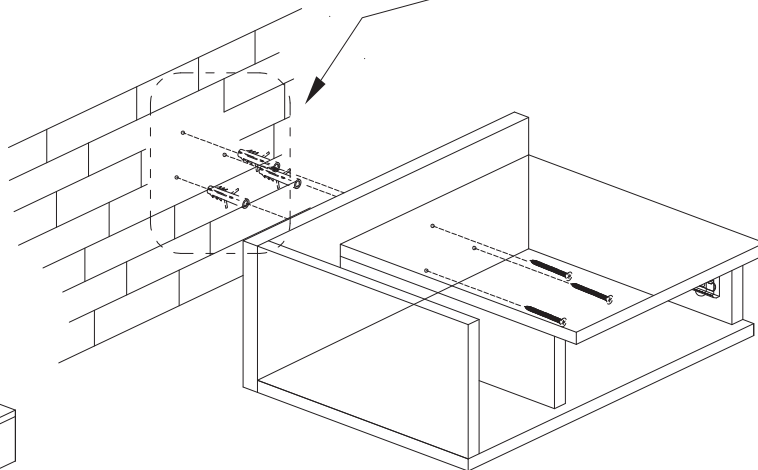
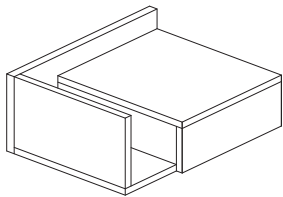
18



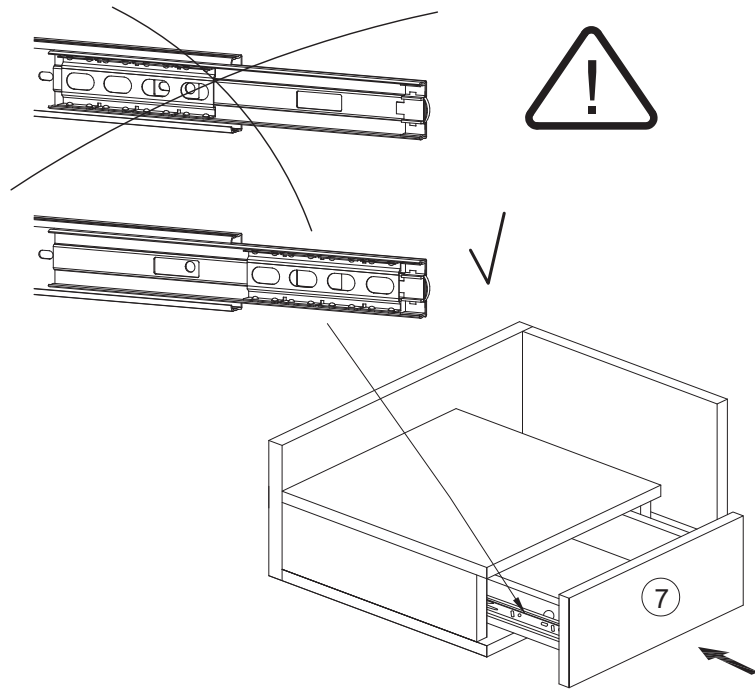
A



B



19



20

