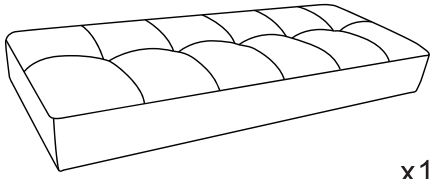
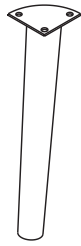


A



x1

B



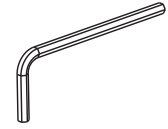
x4

C



M8x25mm x12

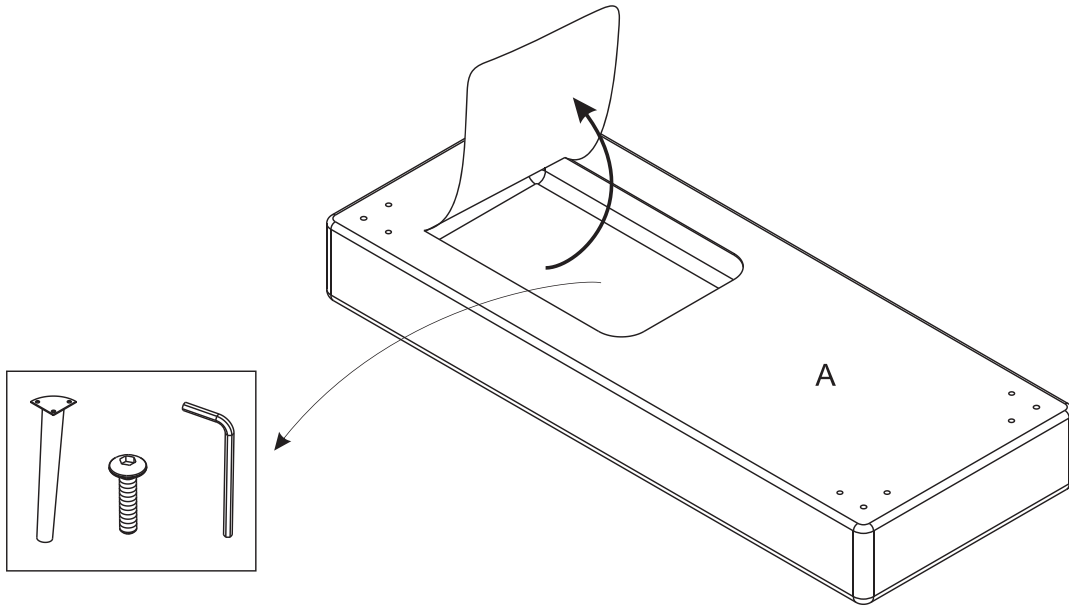
D



6mm

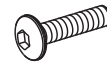
x1

1

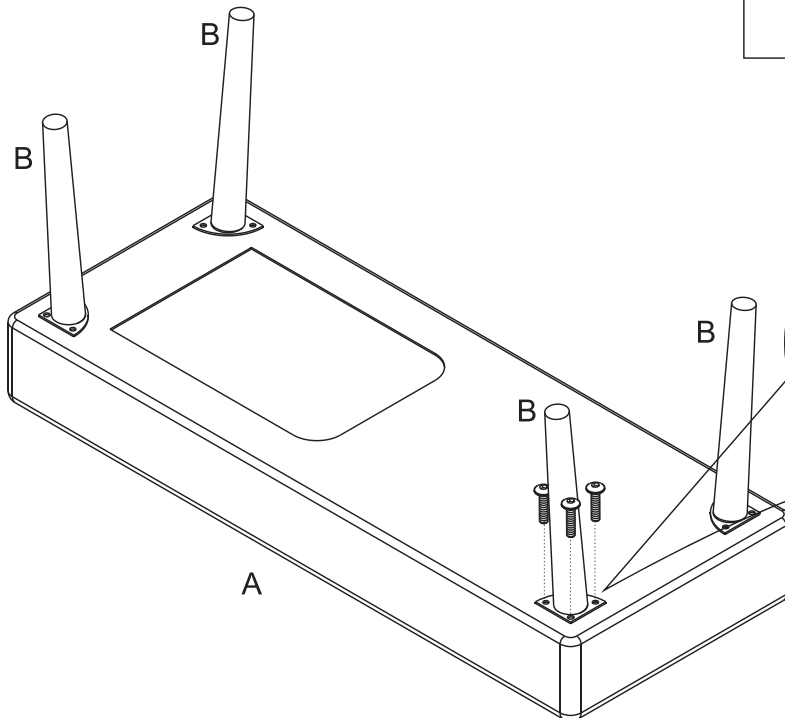
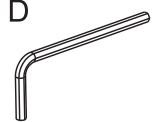


2

Cx12

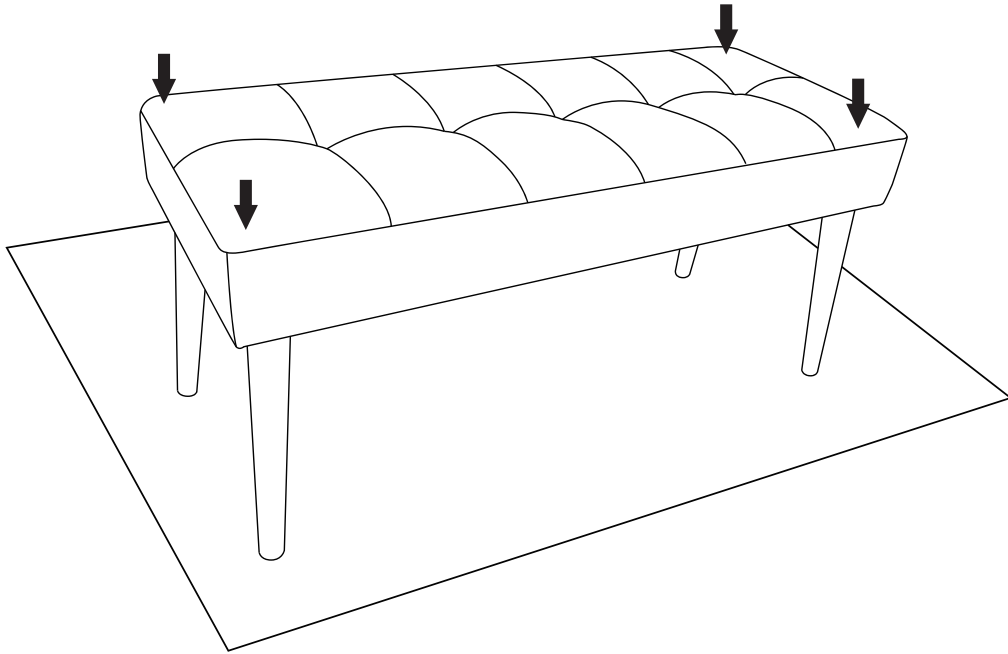


D



2/3

3



4

