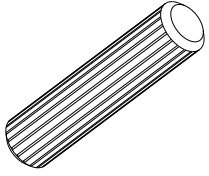
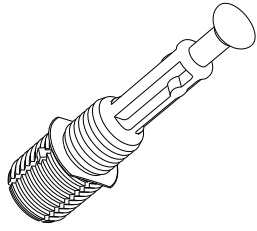


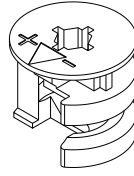
A04



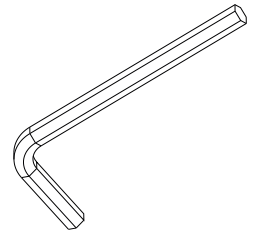
A23



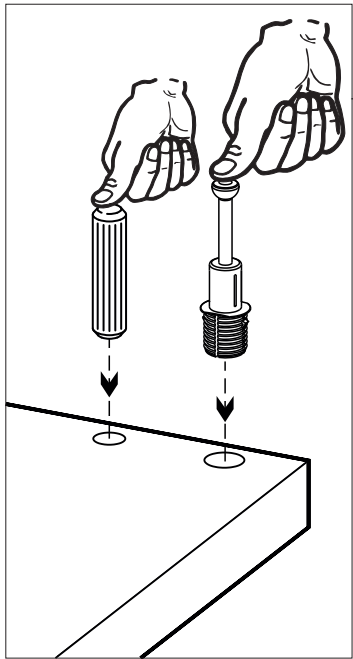
A22



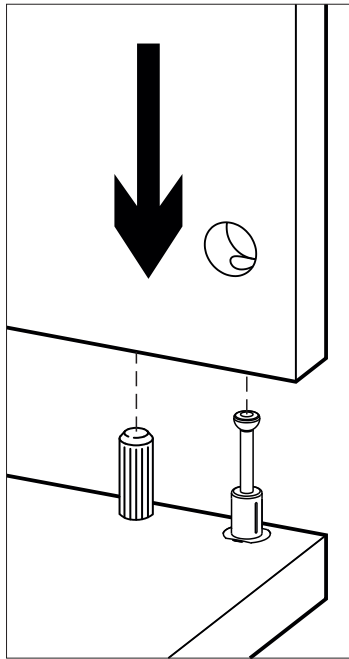
A12



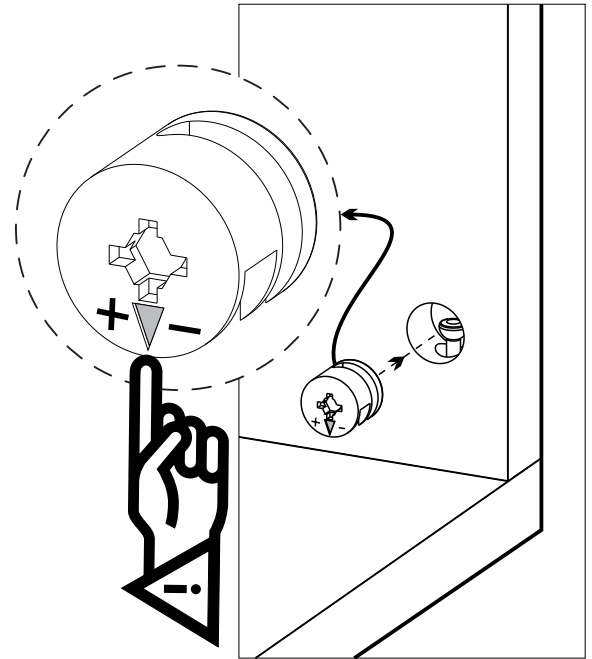
1



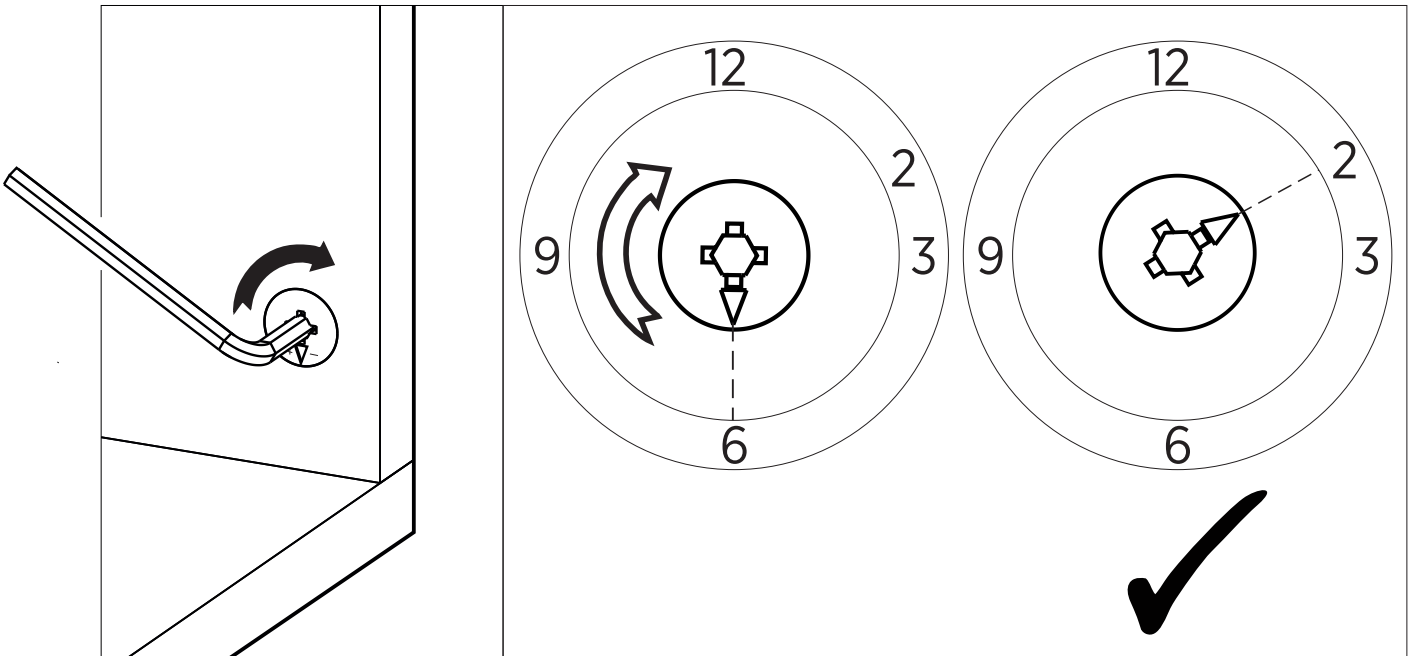
2

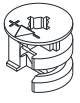

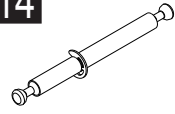
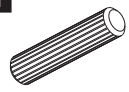
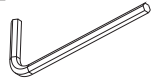

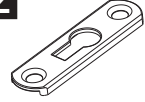
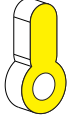





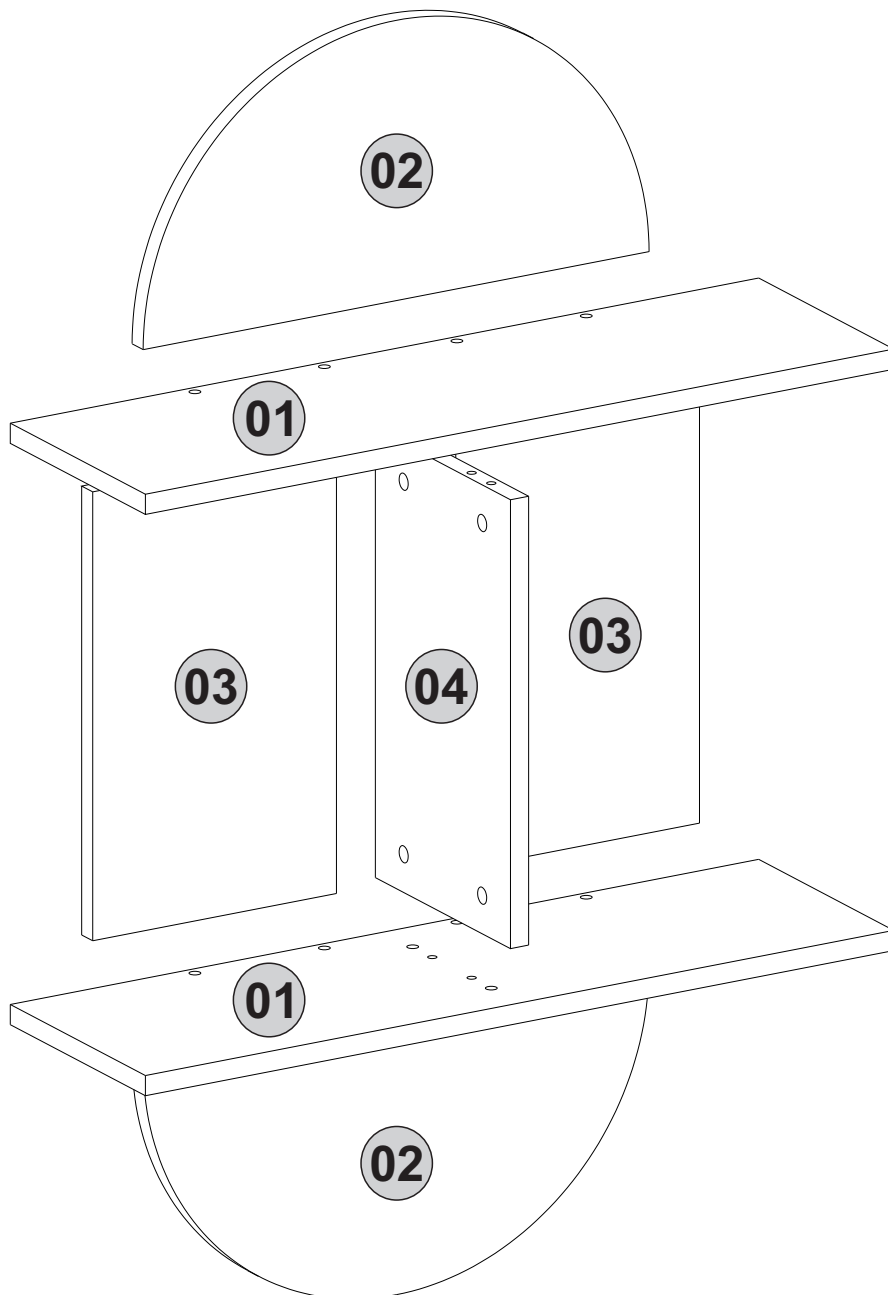
3



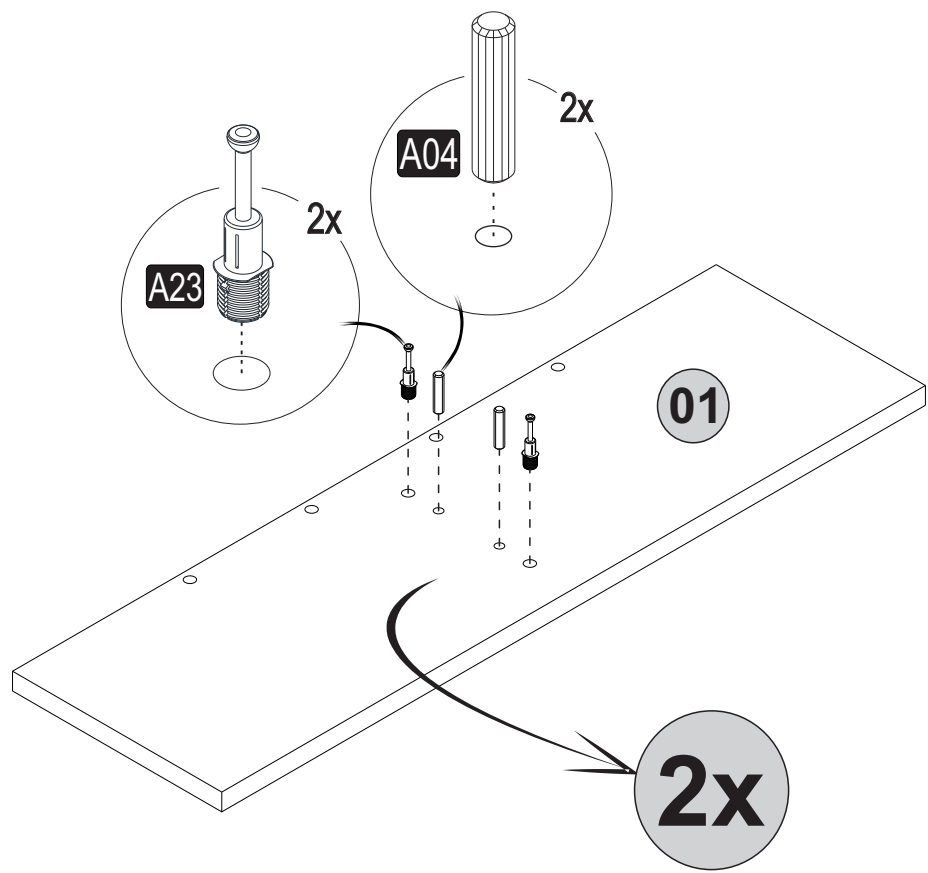
4



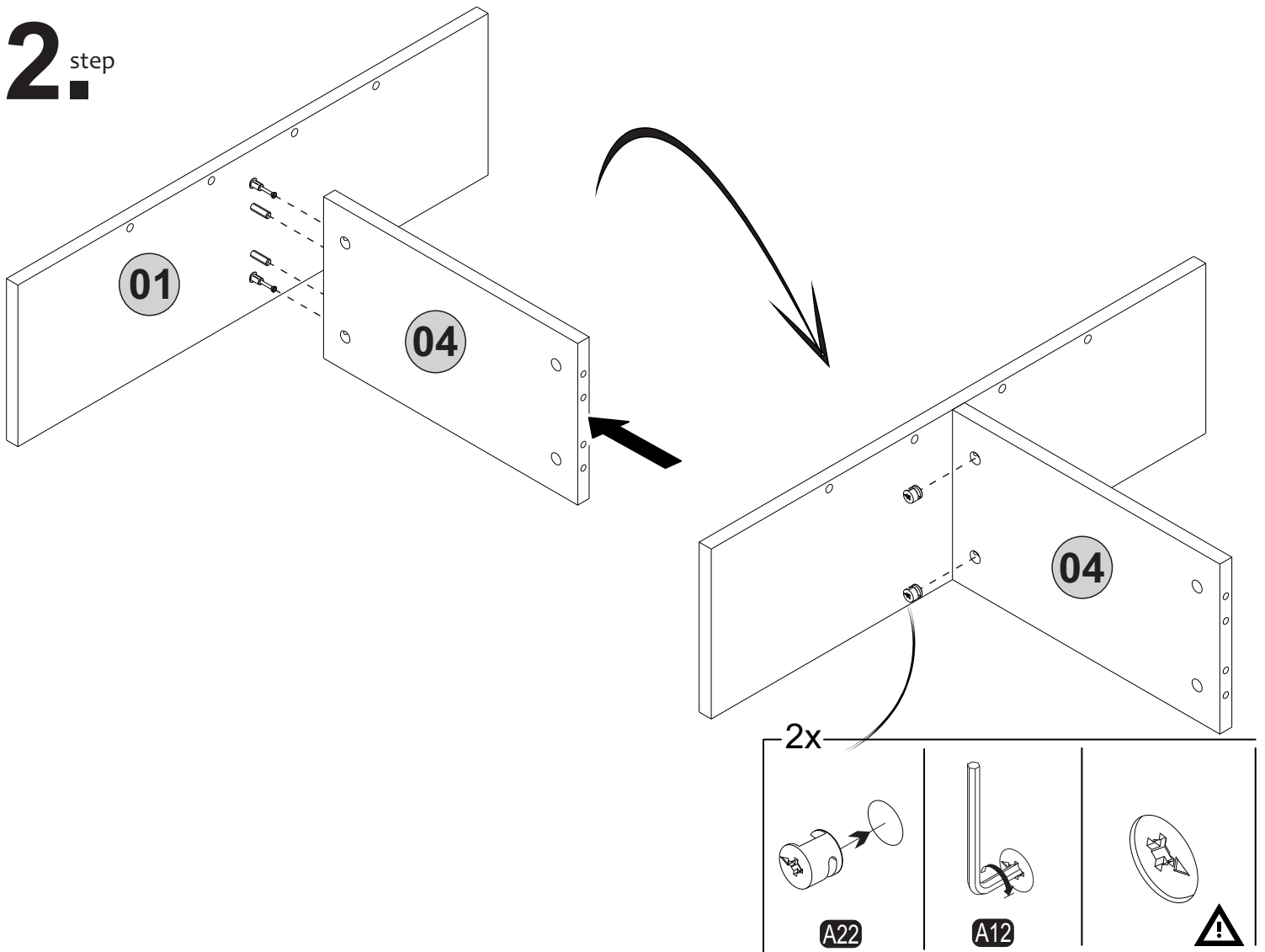
A22 Minifix k18  20x 18mm	A23 Minifix M10  4x 60/16	A14 DFM6-86  8x Gbdy	A04  4x Ø8	A12 Allen  1x DbØ8
A06  C1-12x C2-8x	A32  2x	Z18  2x	A18  4x 3,5x18	A16  2x
				A17  2x 4x50



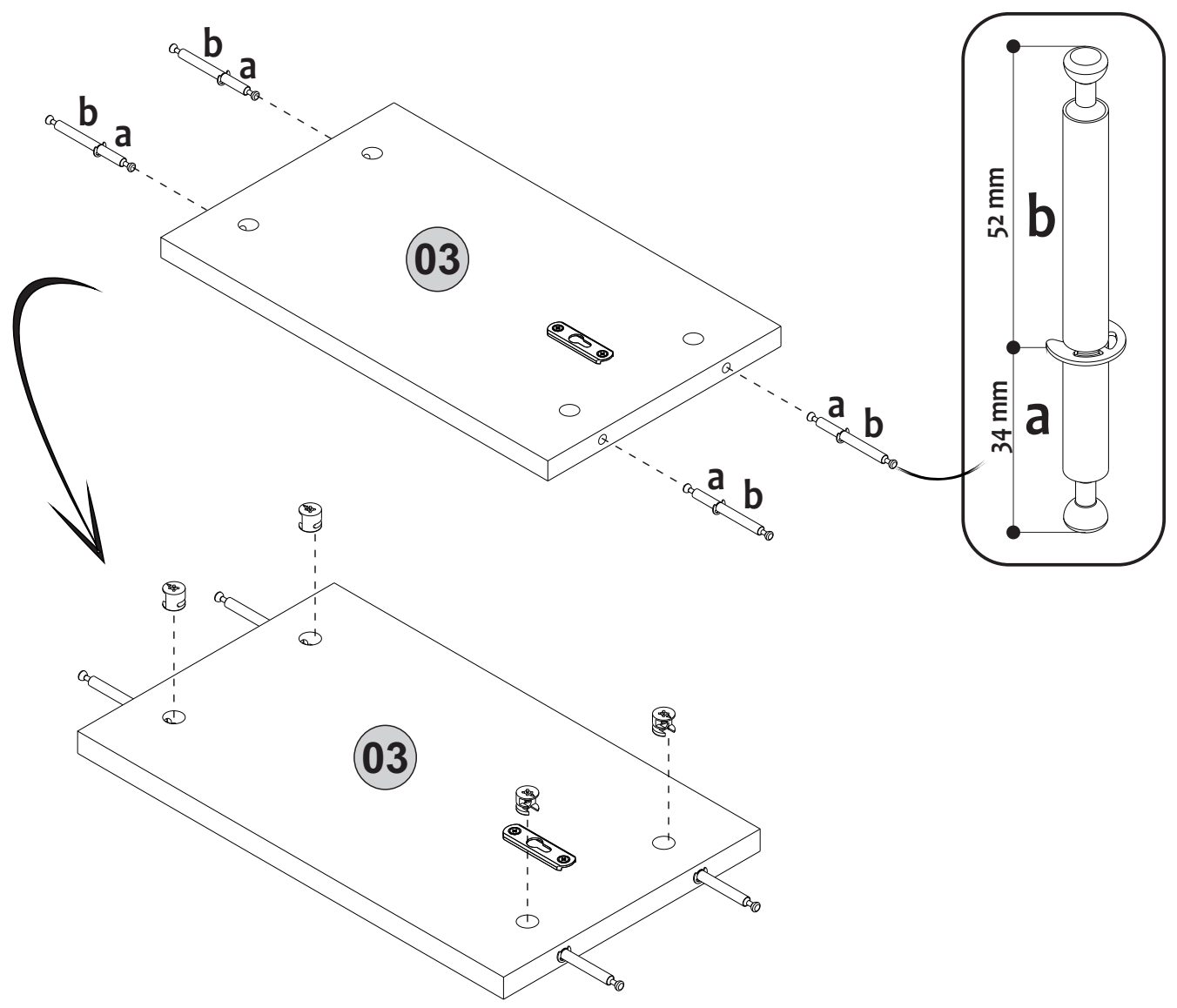
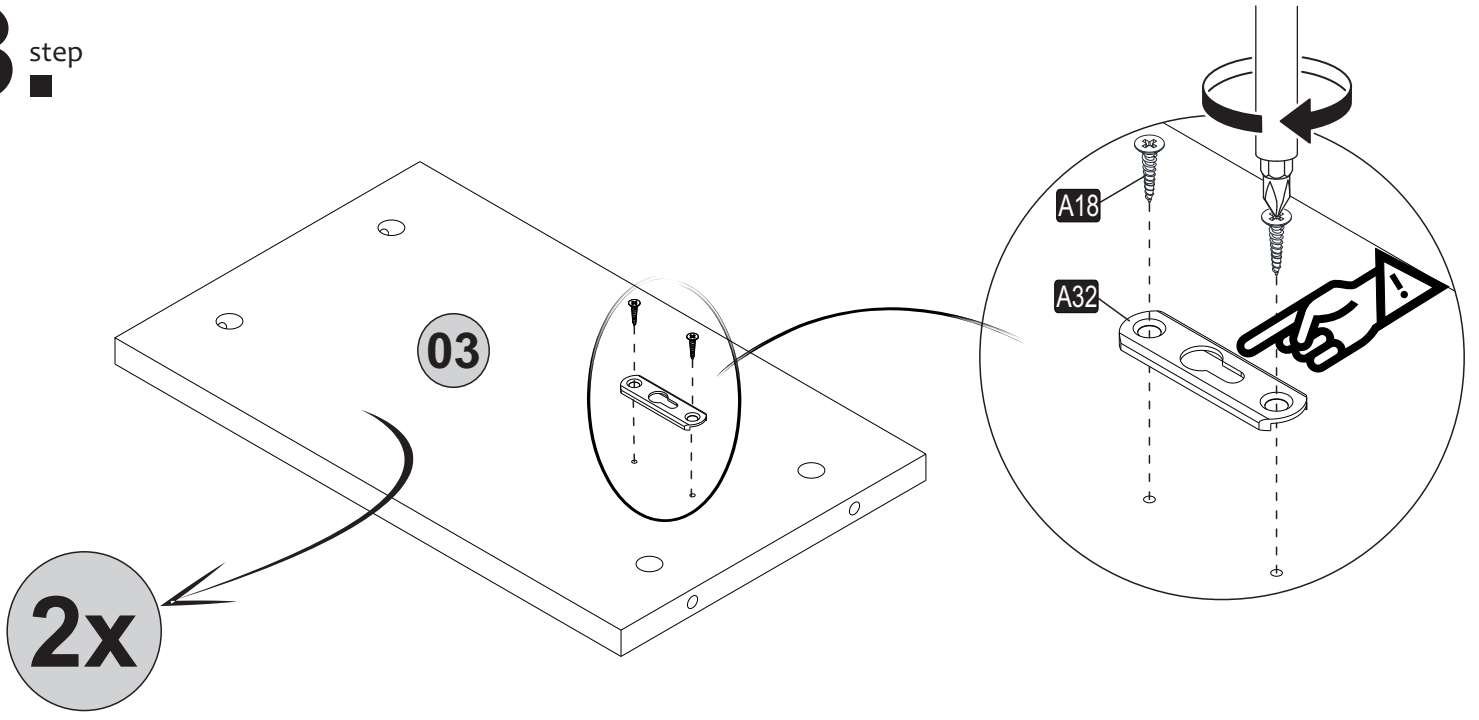
1. step



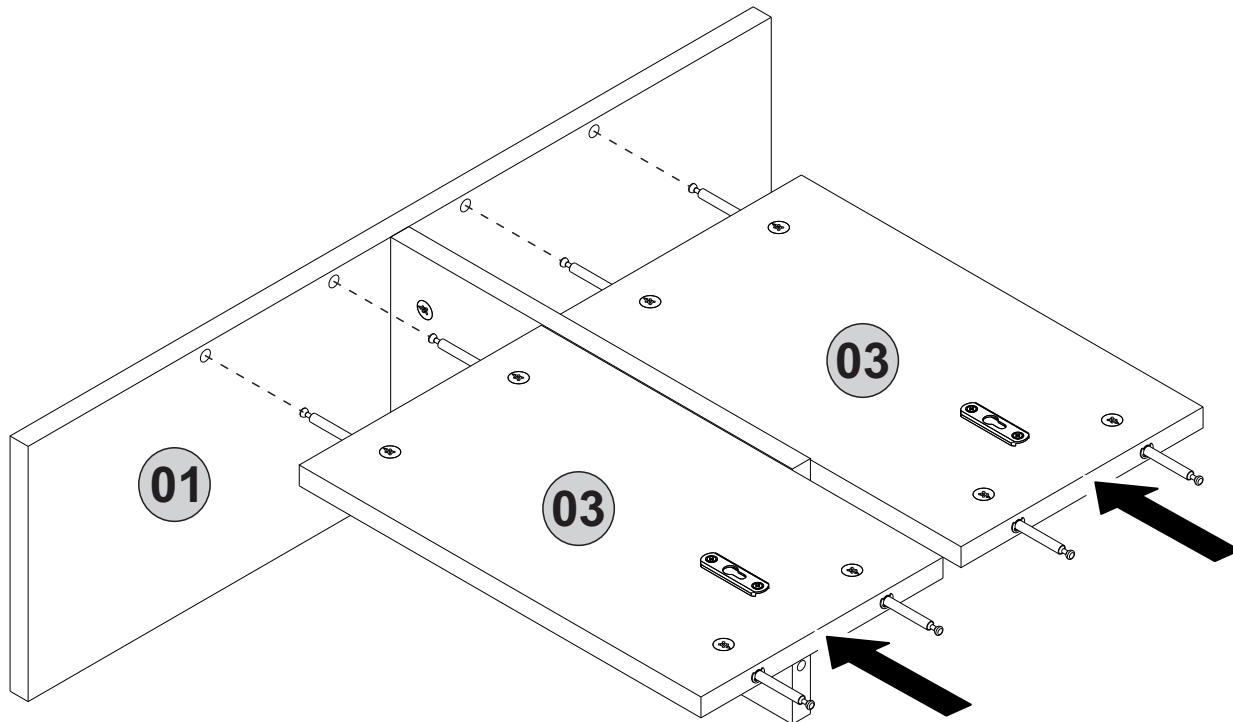
2. step



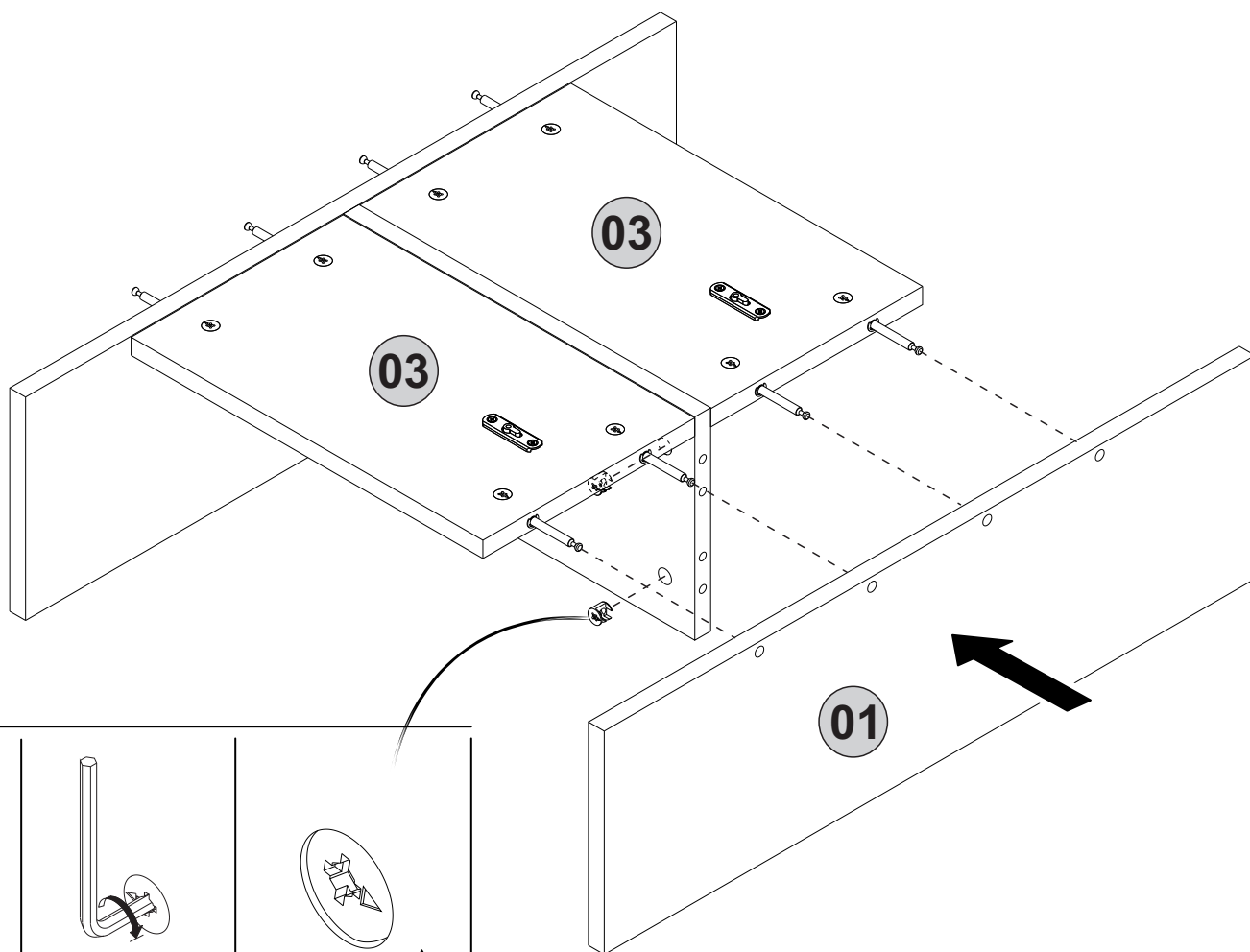
3^{step}



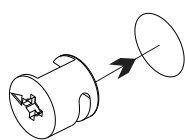
4. step



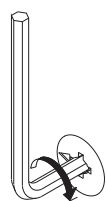
5. step



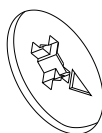
2x



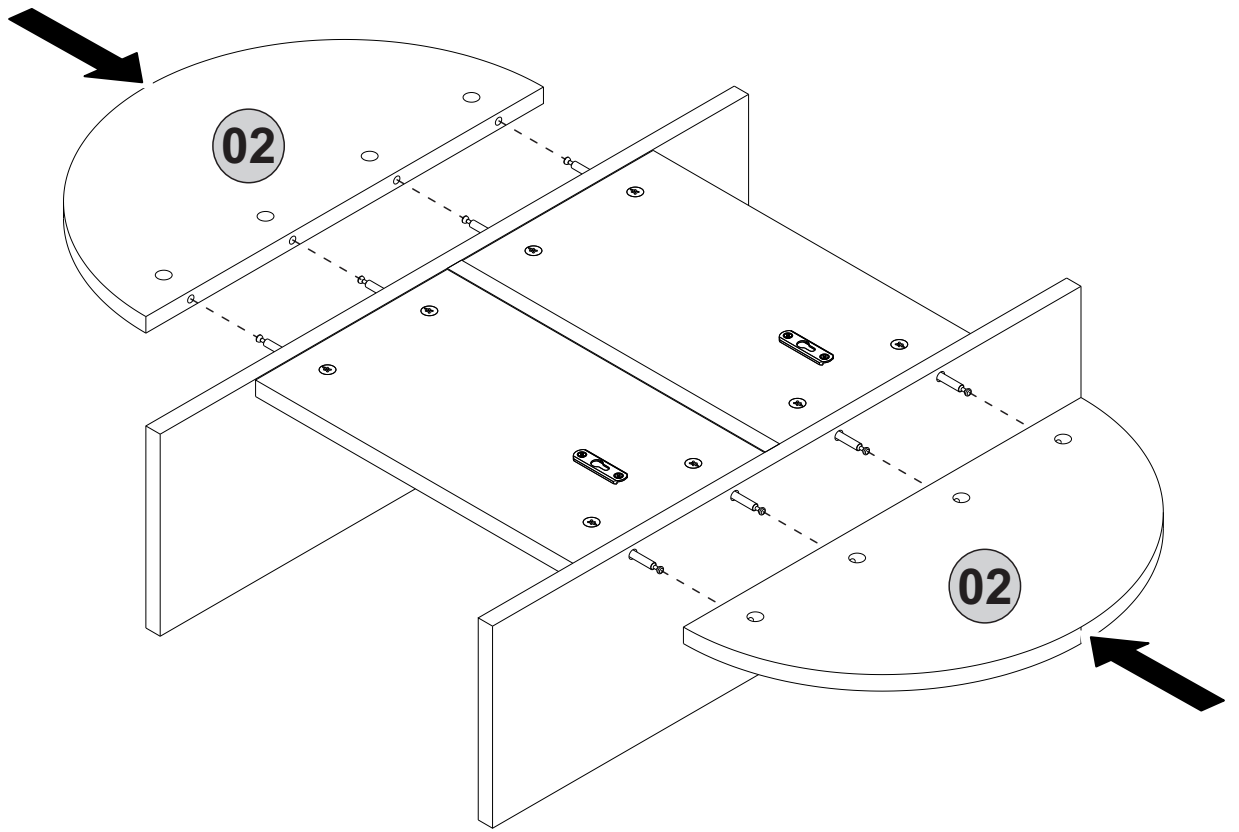
A22



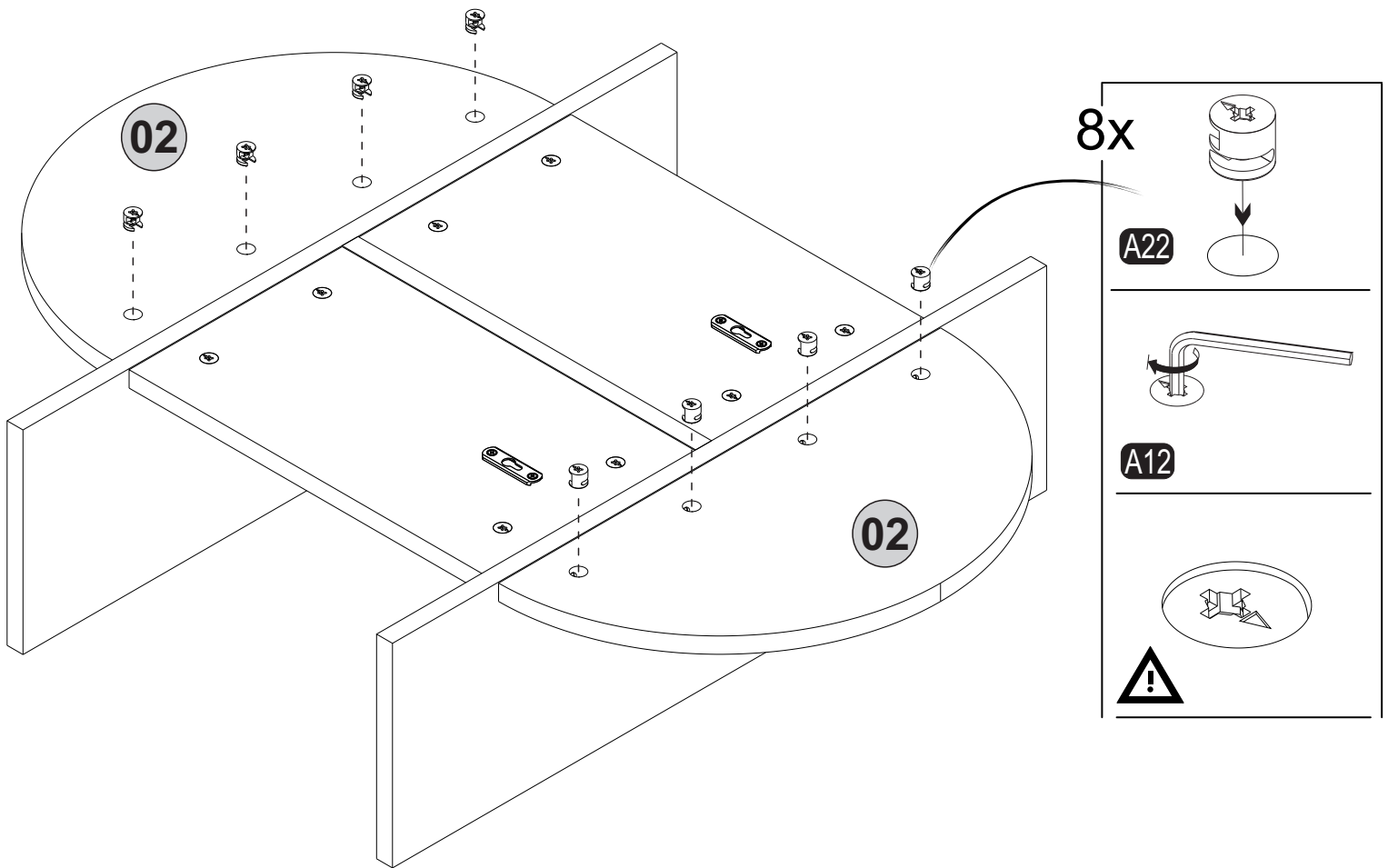
A12



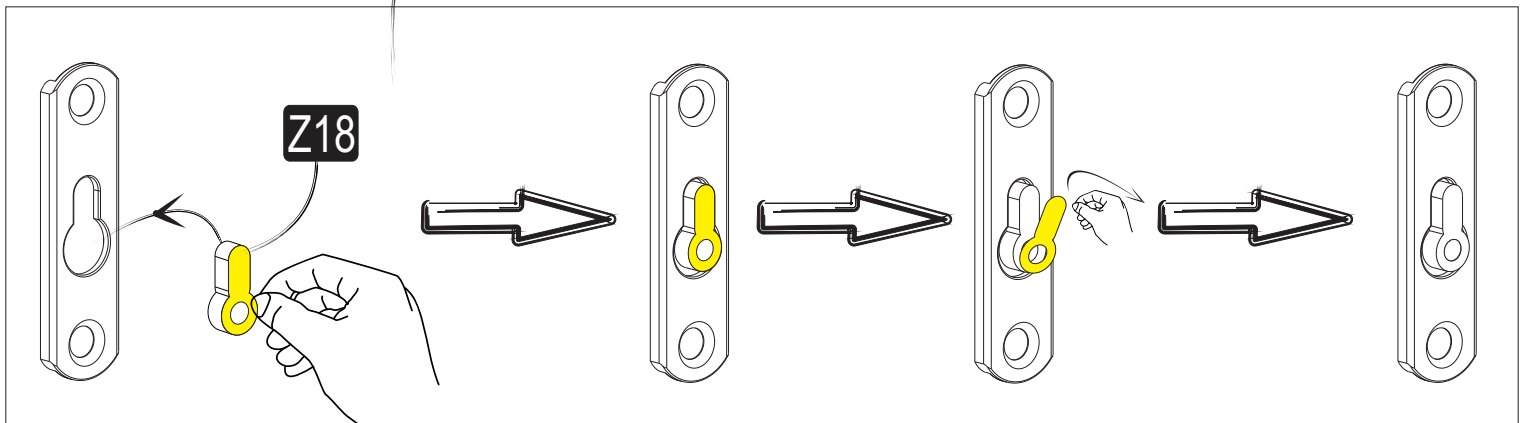
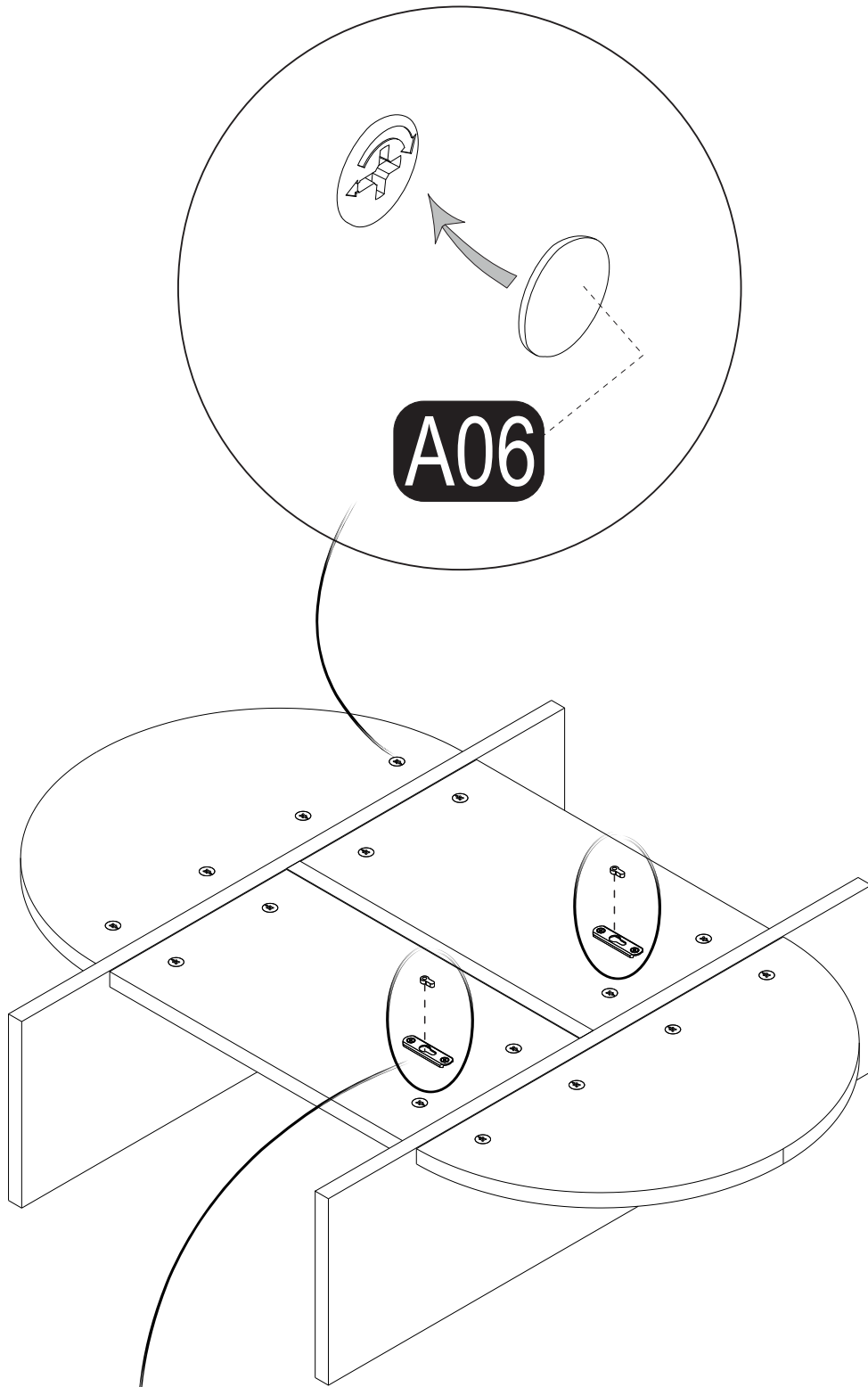
6^{step}



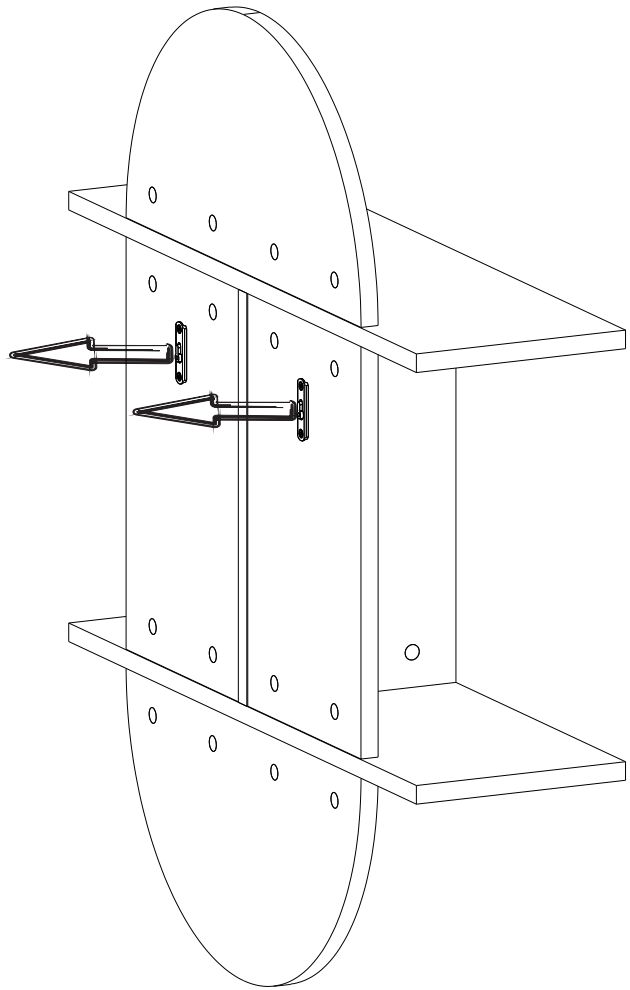
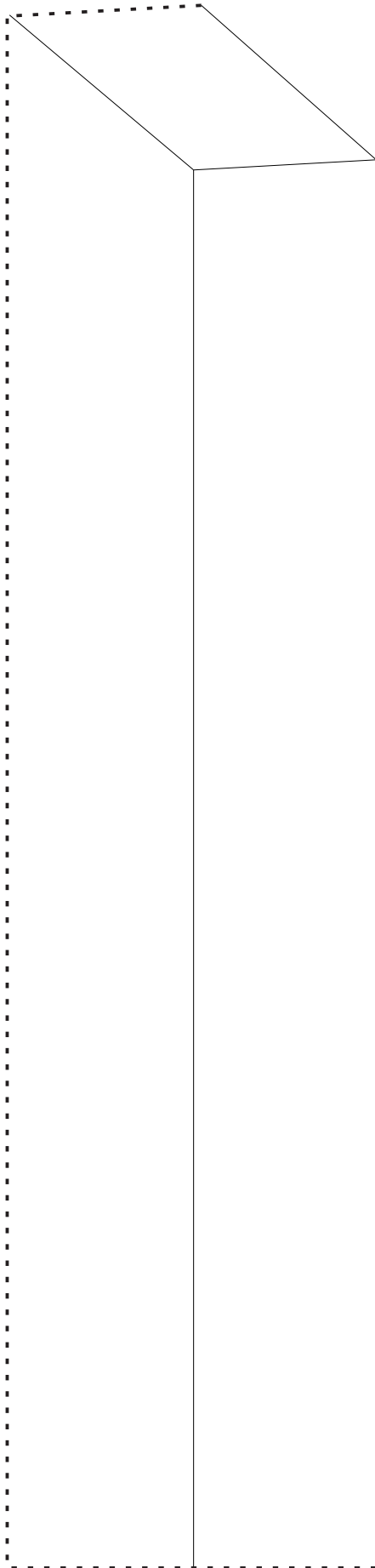
7^{step}



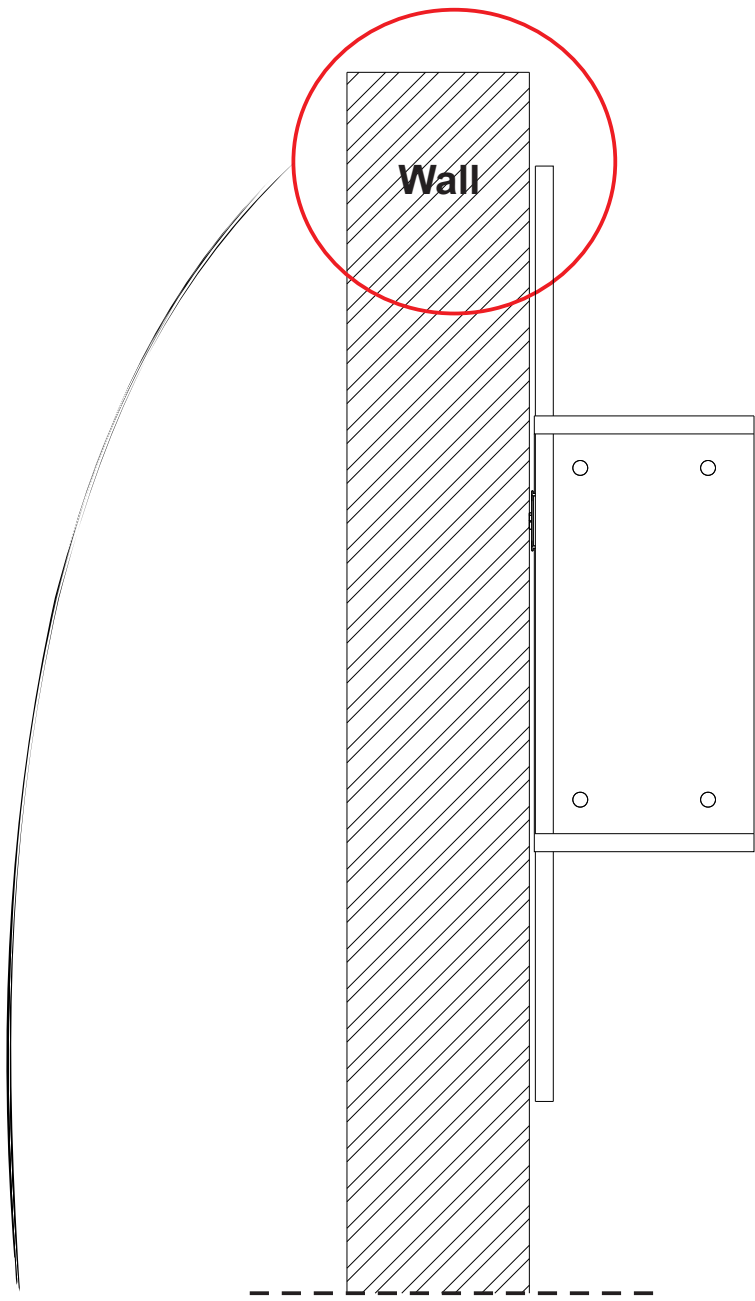
8 step



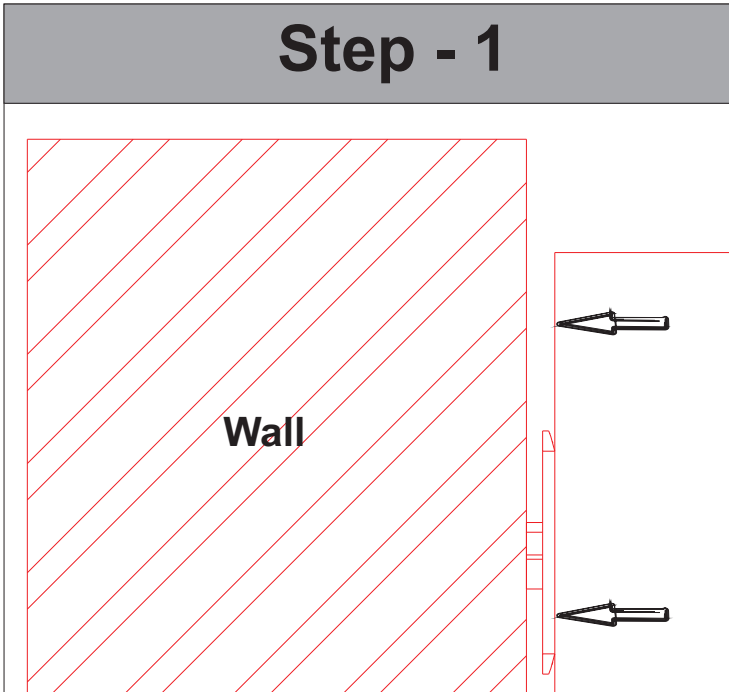
9^{step}



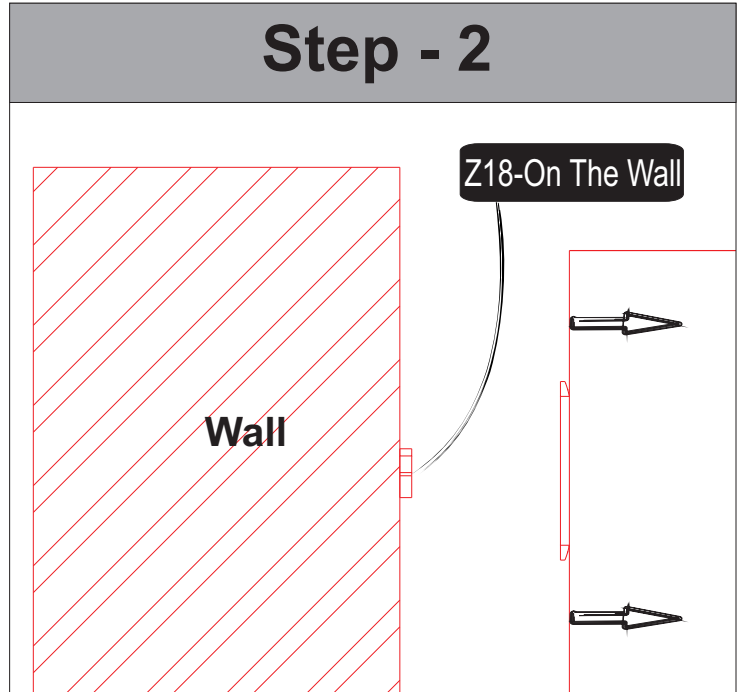
10^{step}



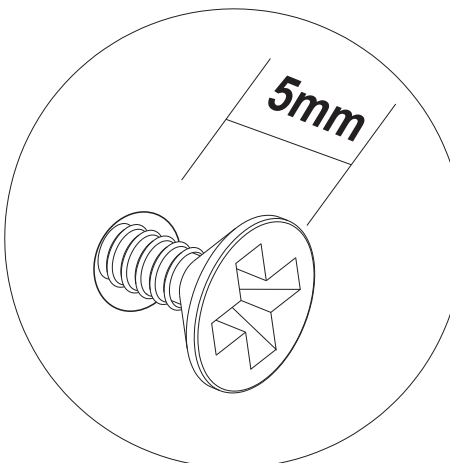
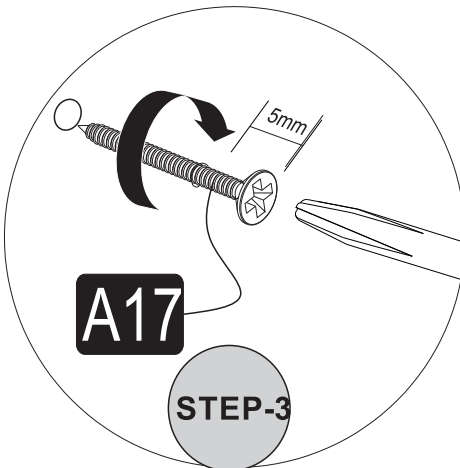
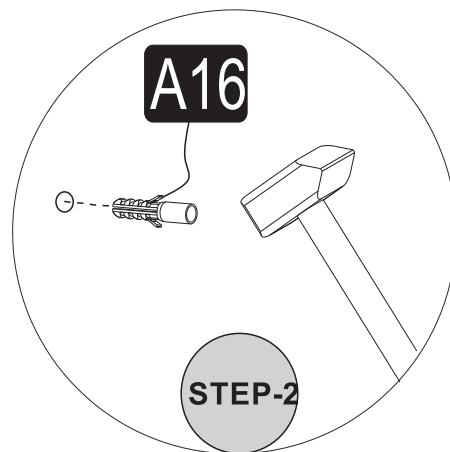
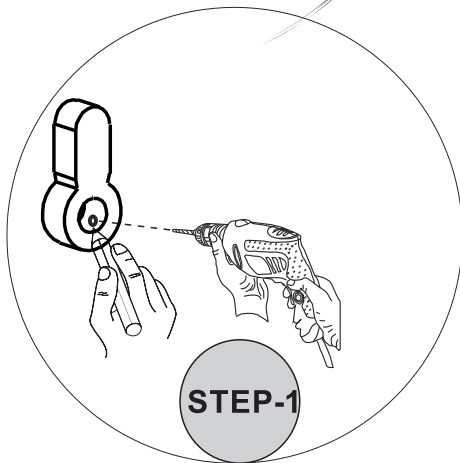
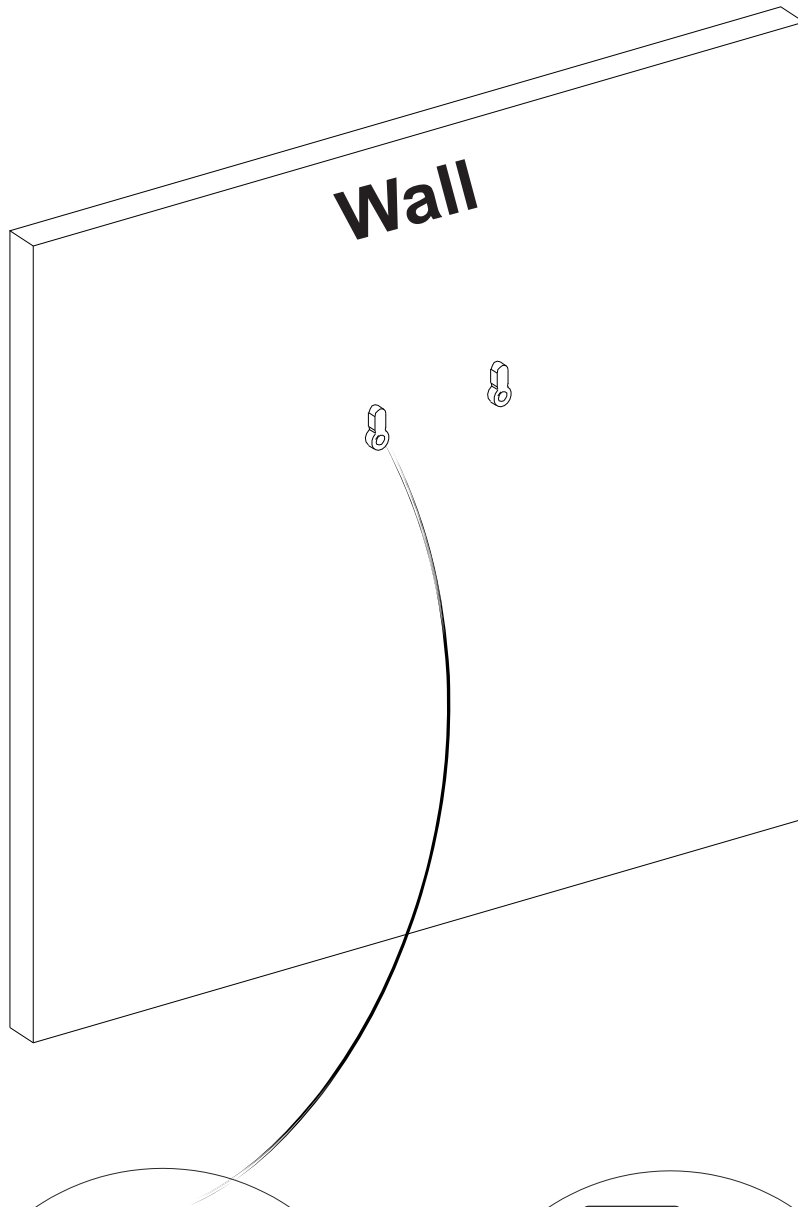
Step - 1



Step - 2



11.^{step}



12^{step}

