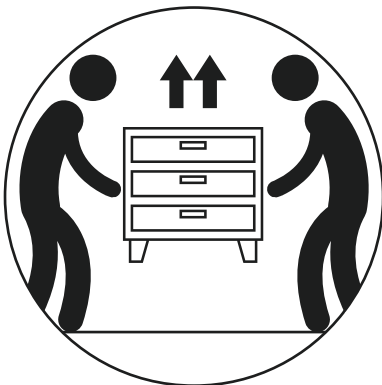
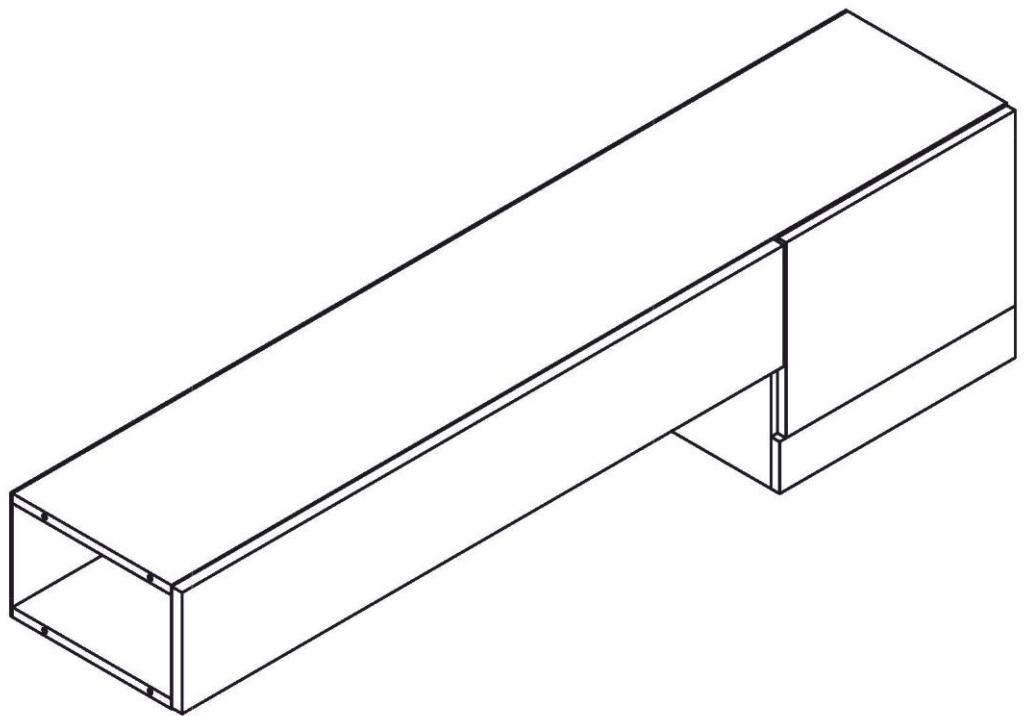
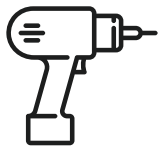
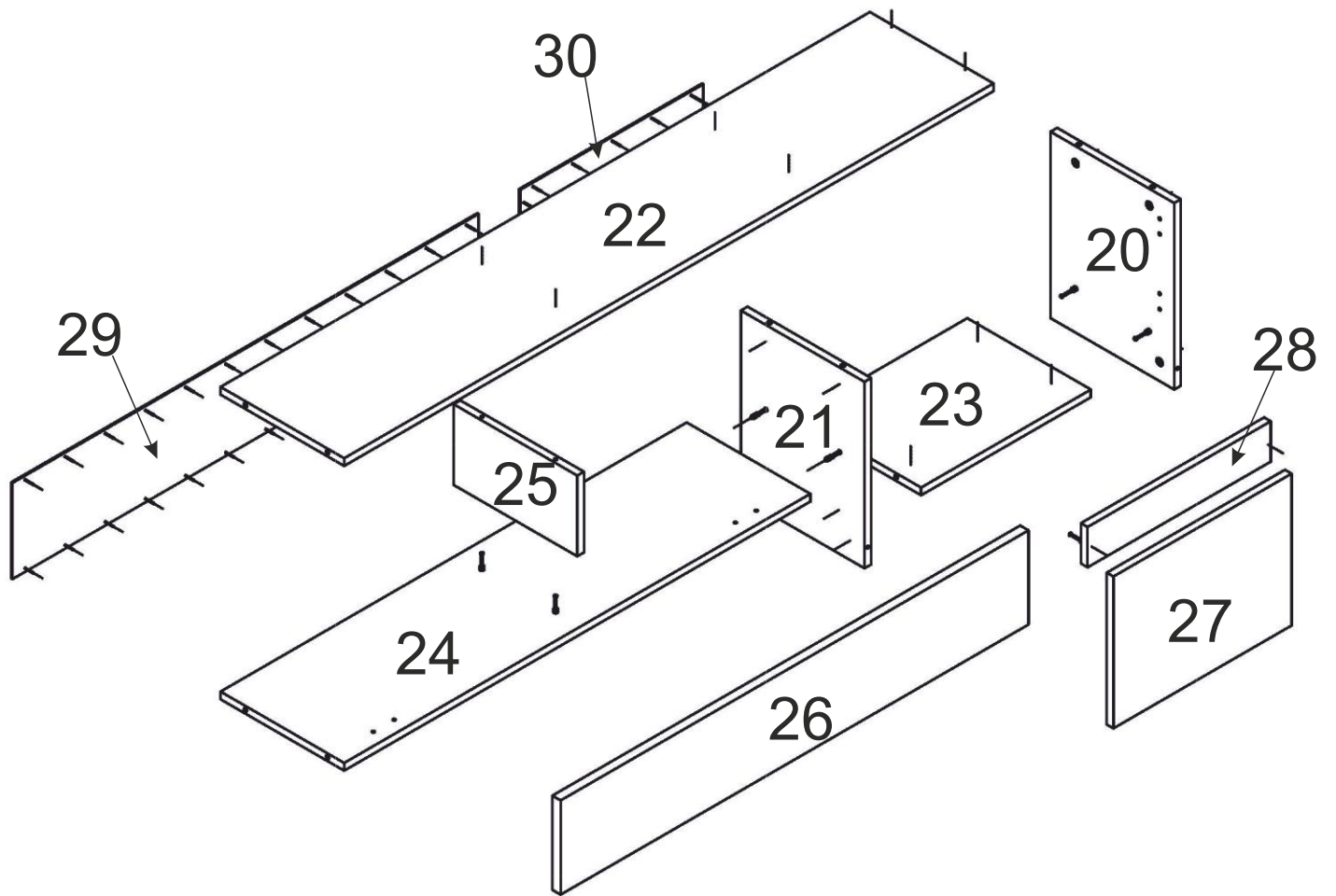


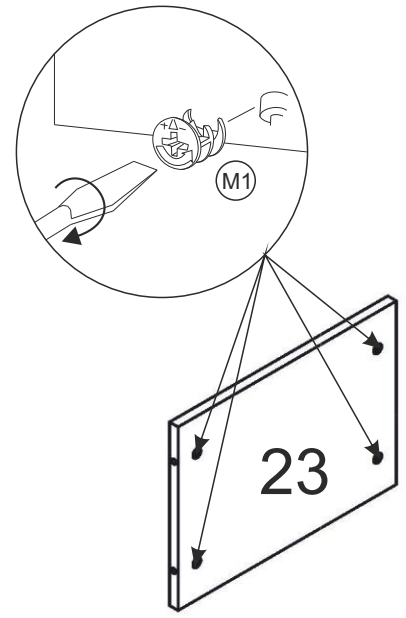
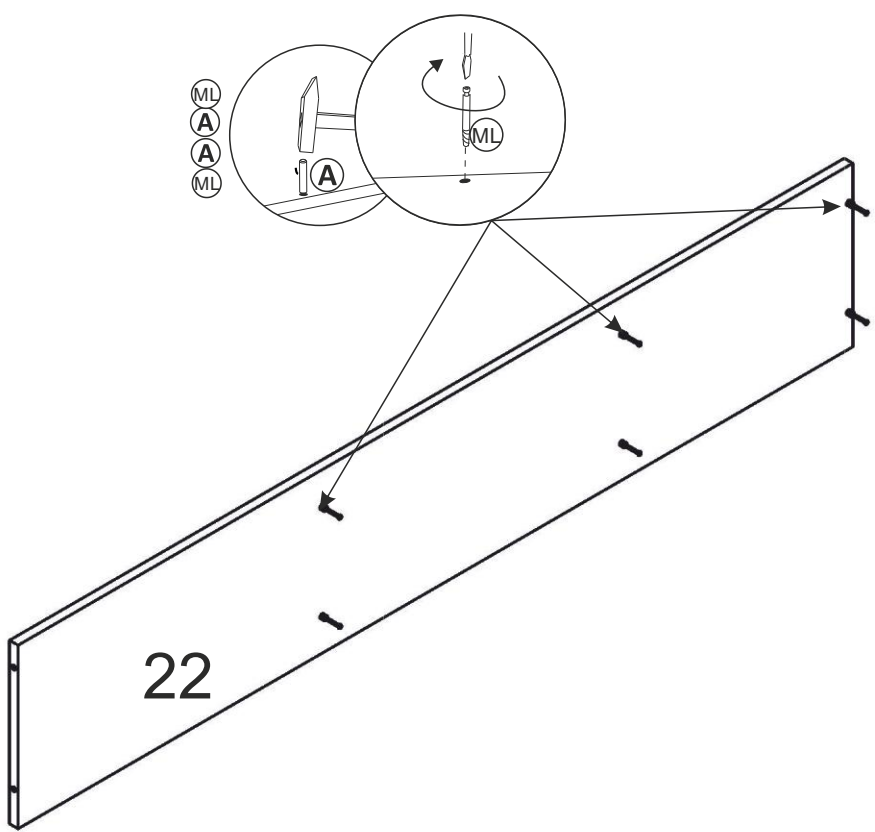
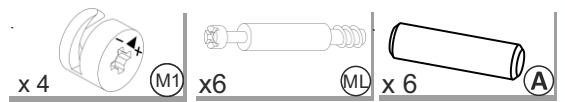


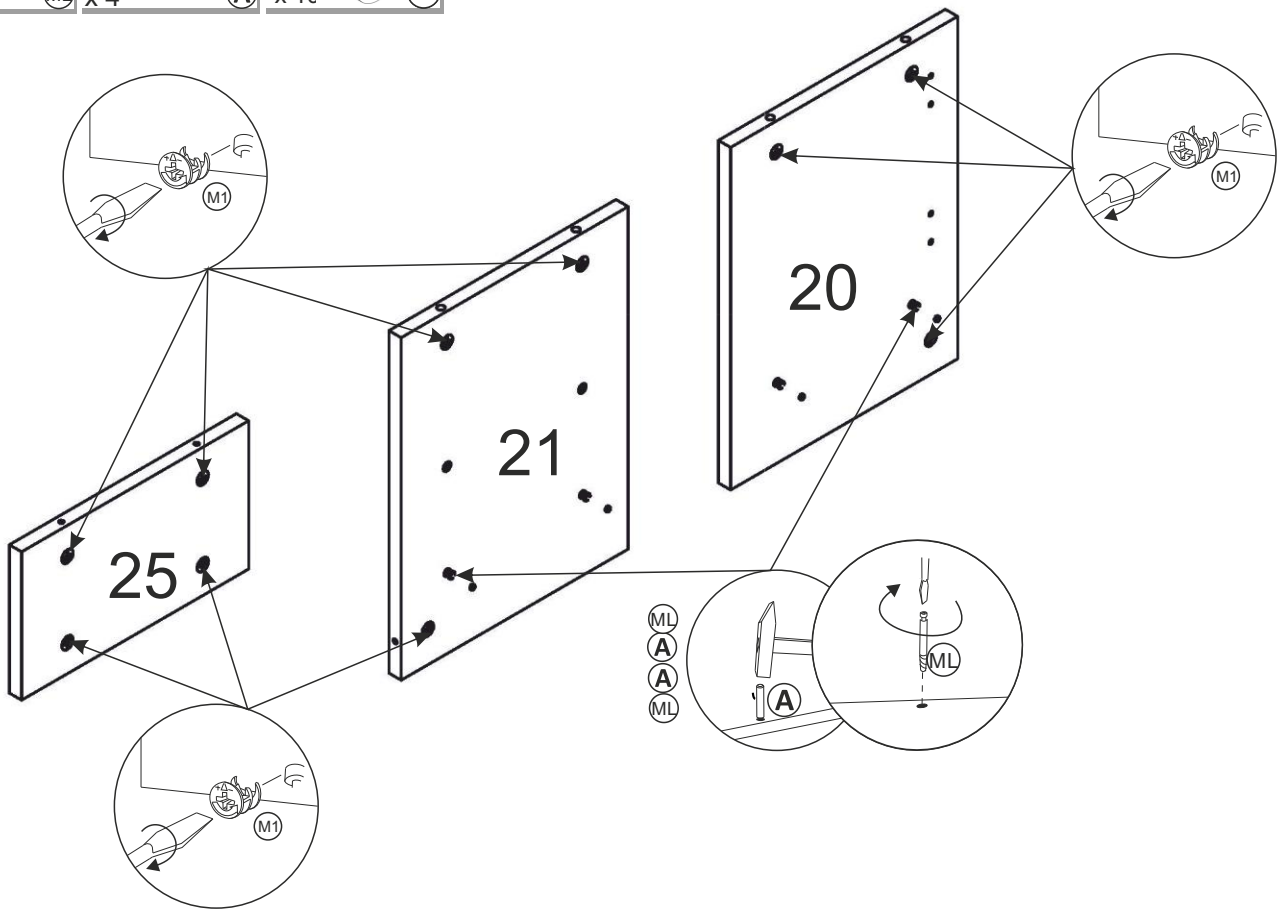
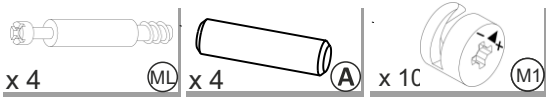
# ULIO

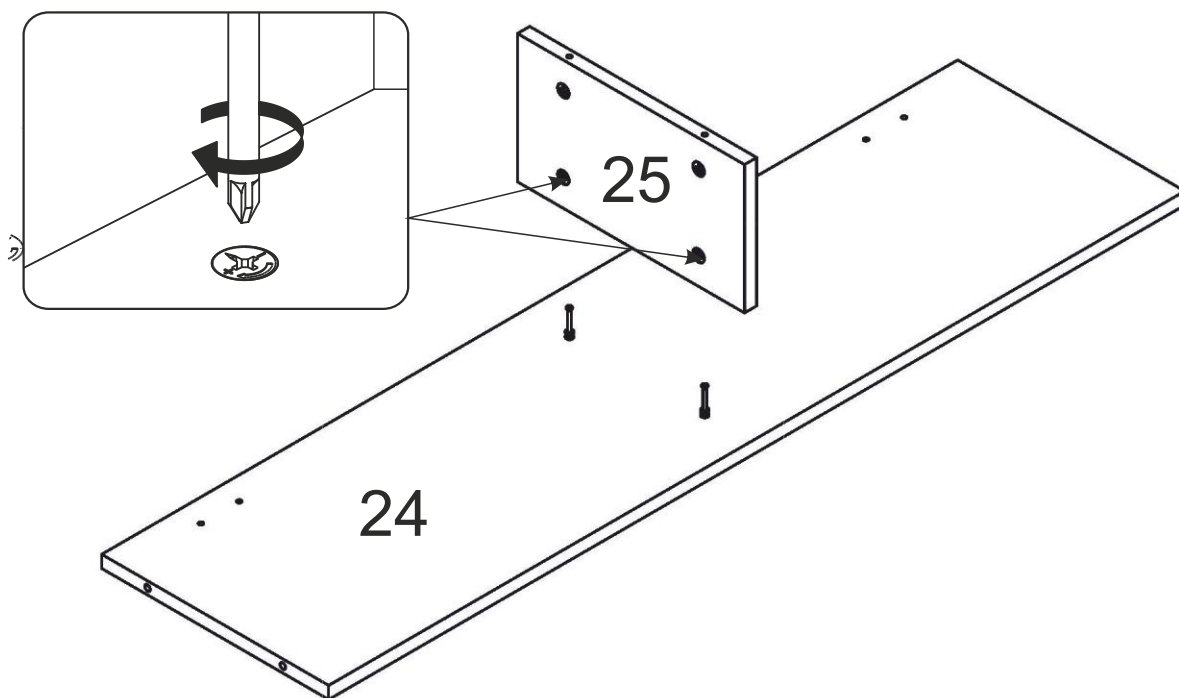
# PLN70

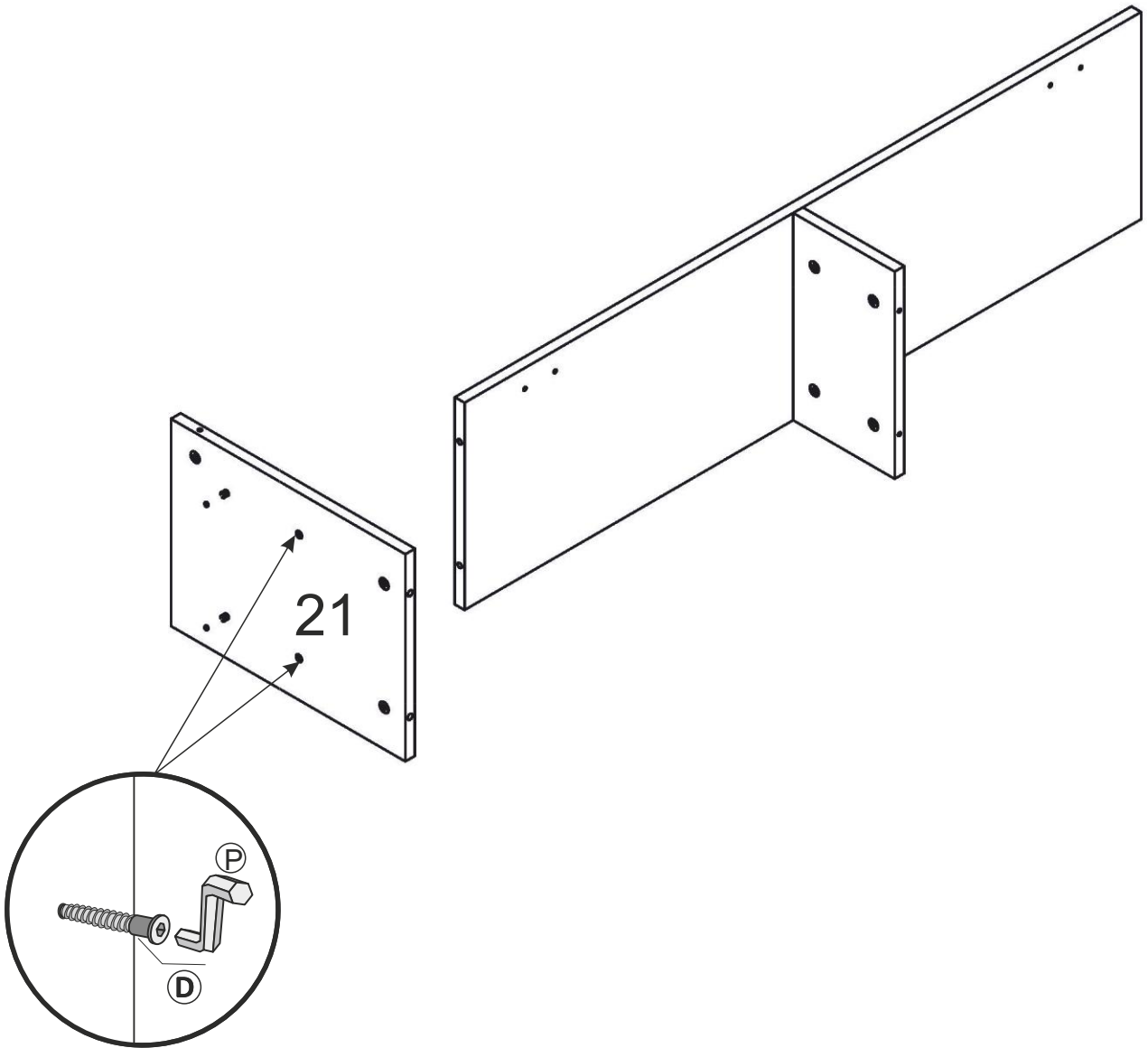
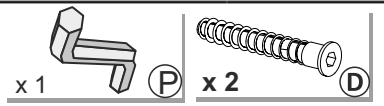


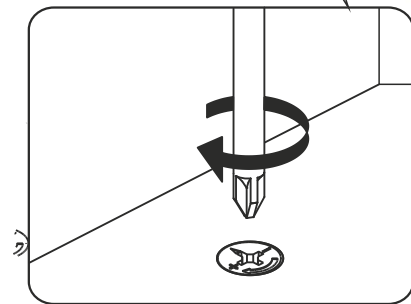
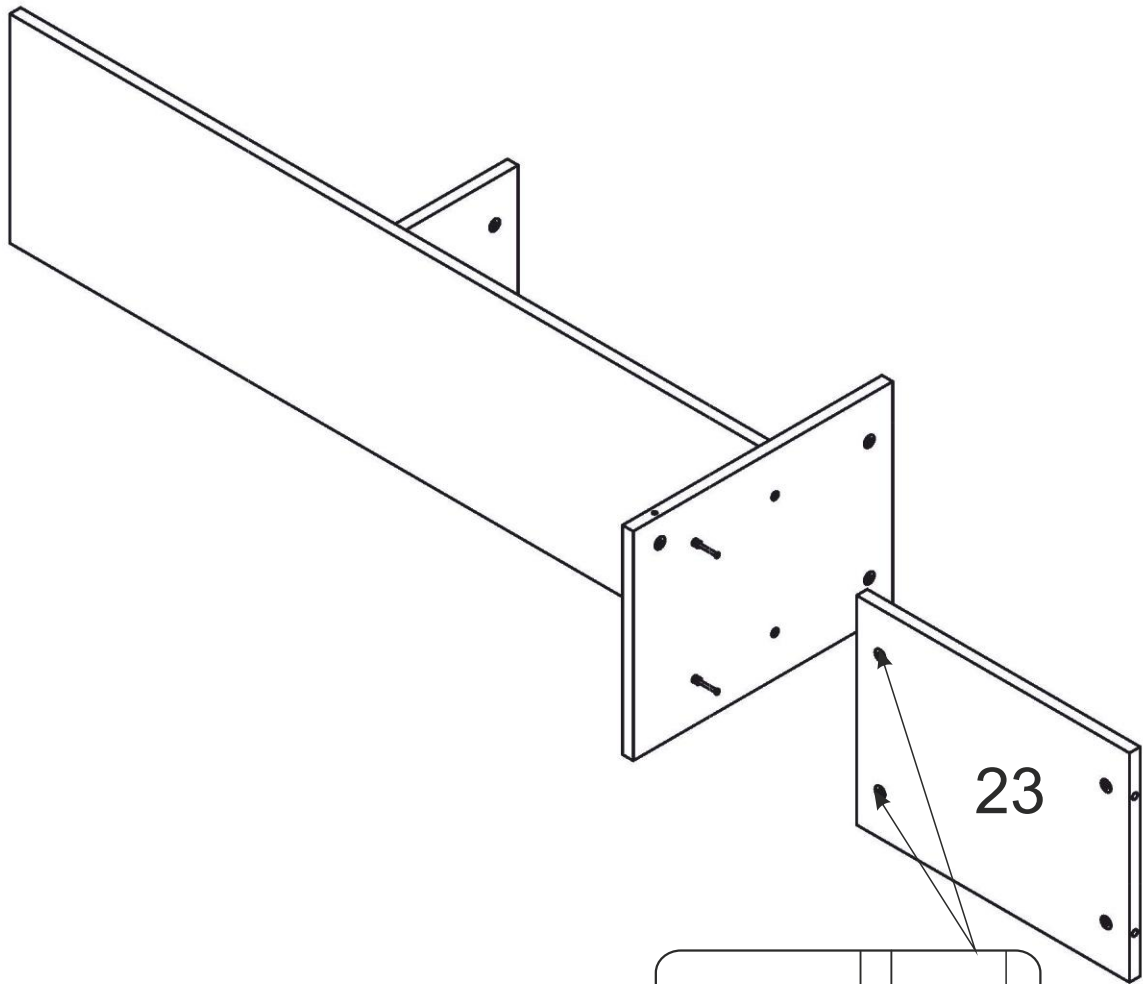


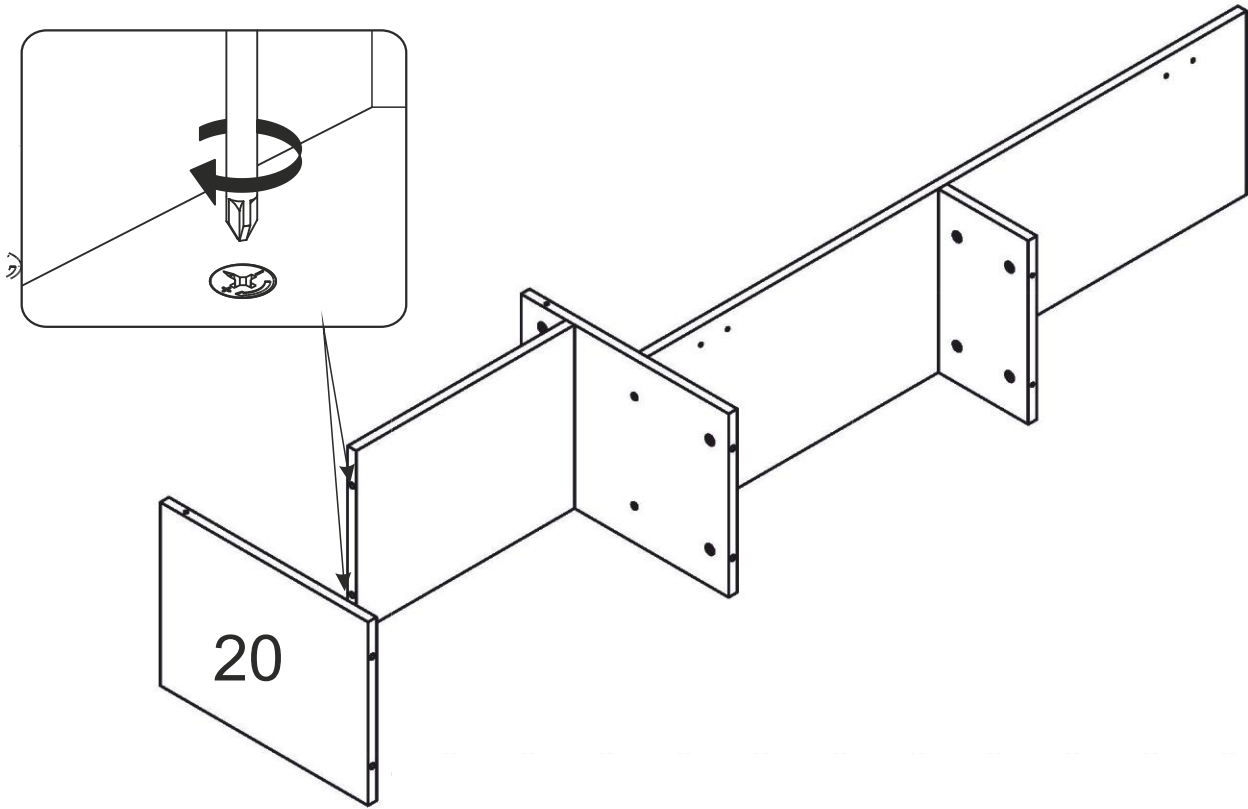




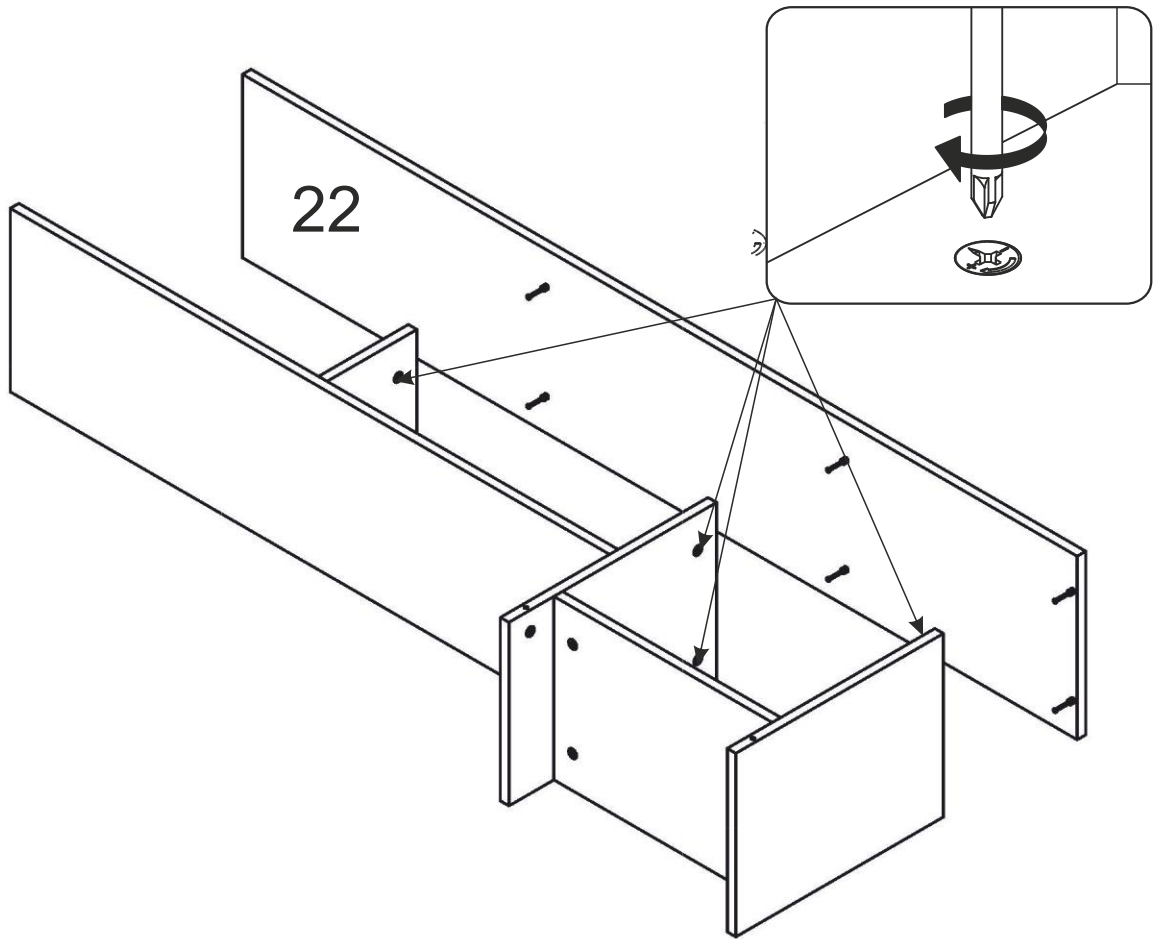


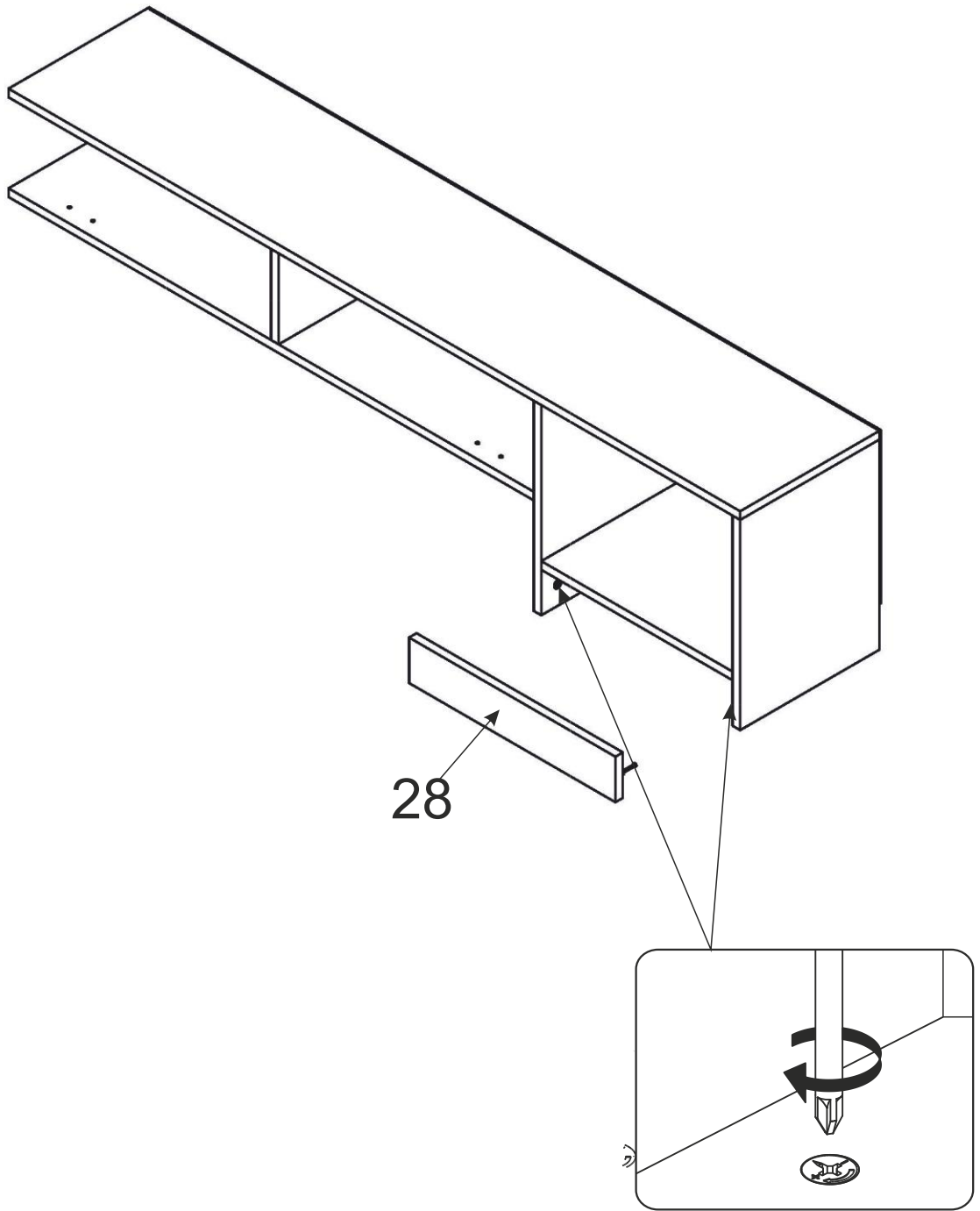


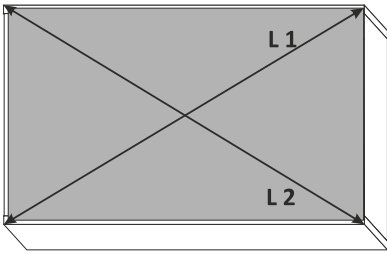




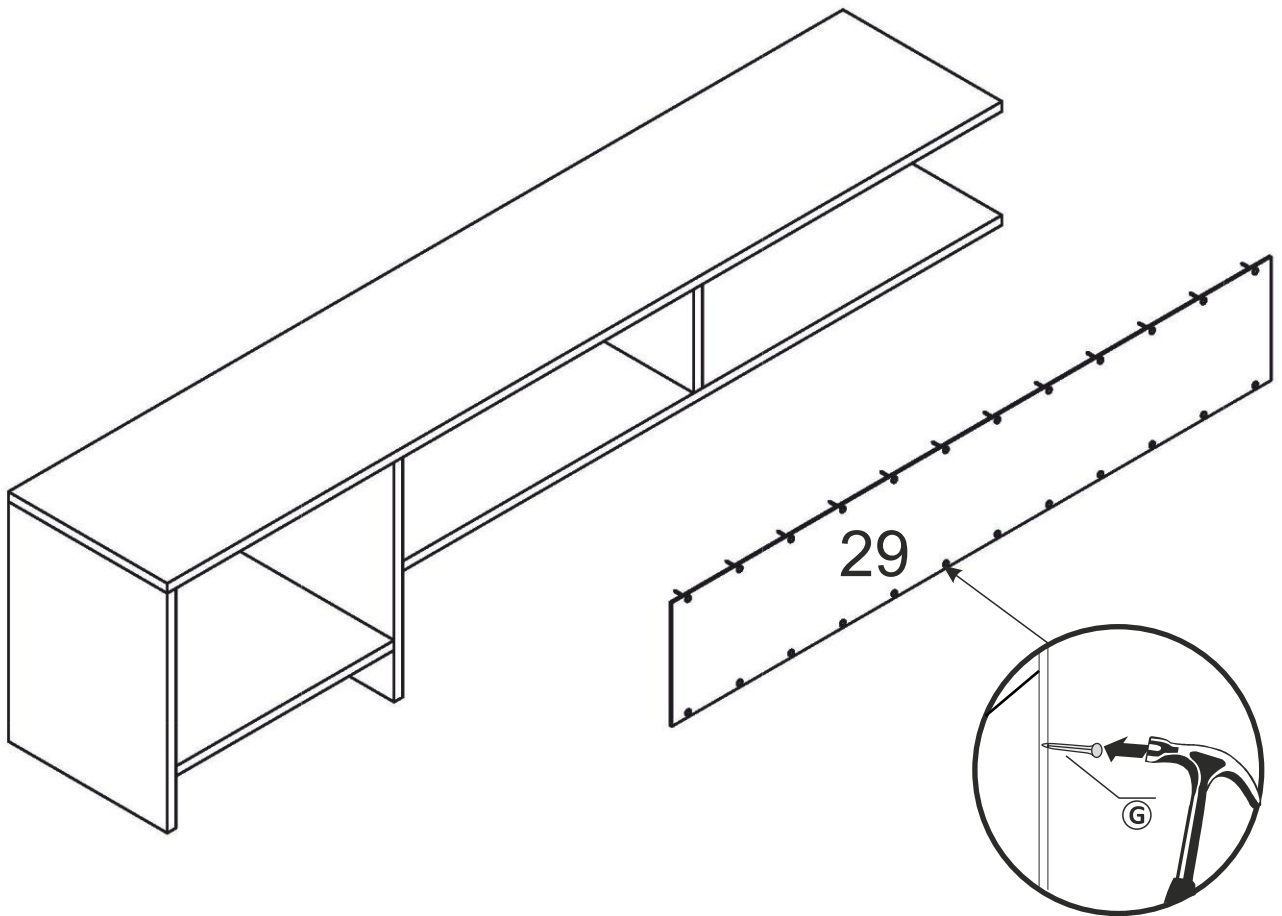


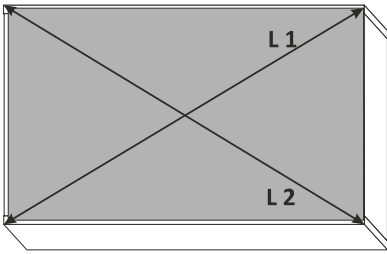




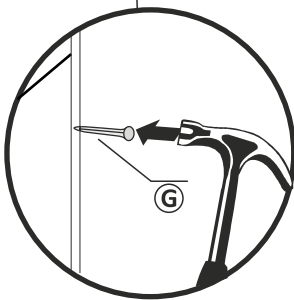
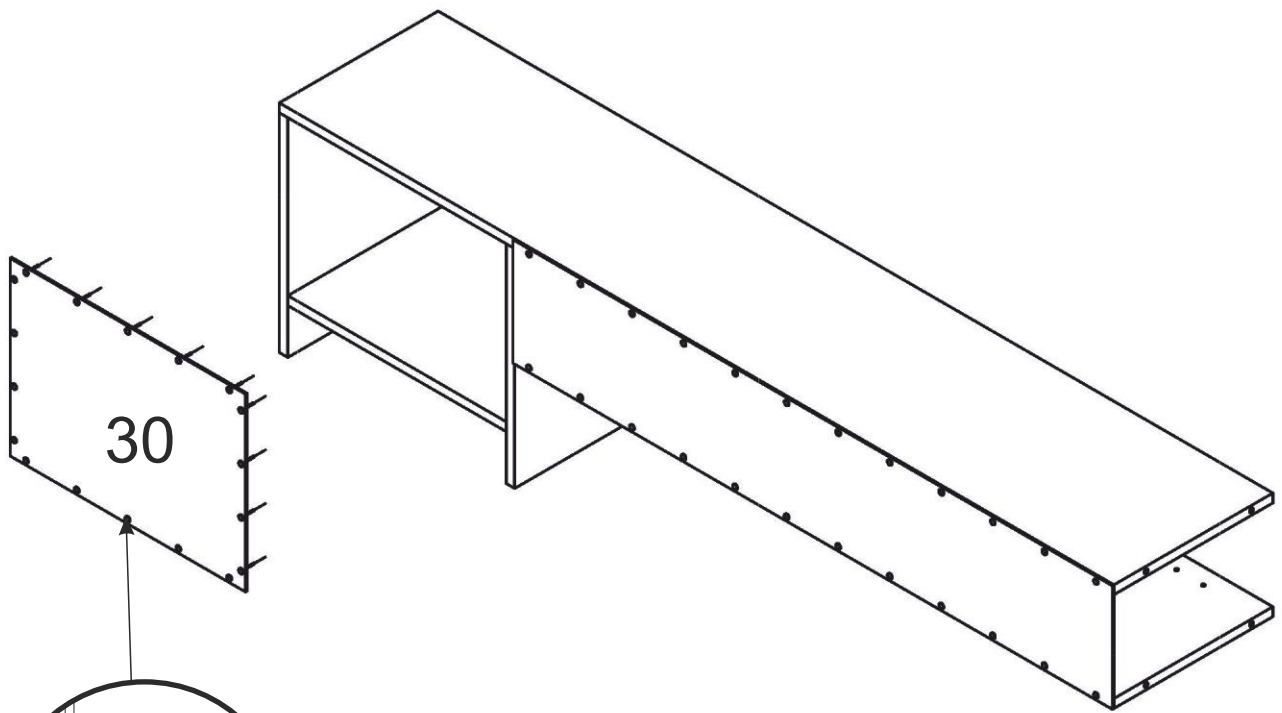


L1 = L2





L1 = L2



3,5x16 (X) x 8  
x 4 (Z)

