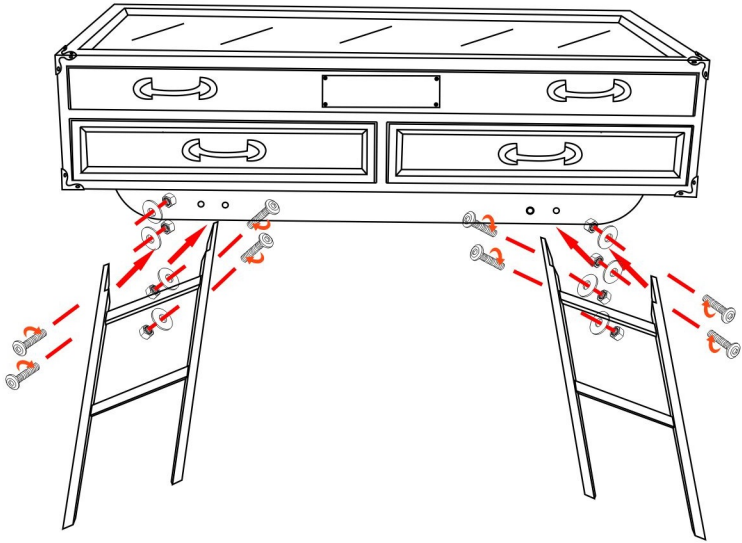
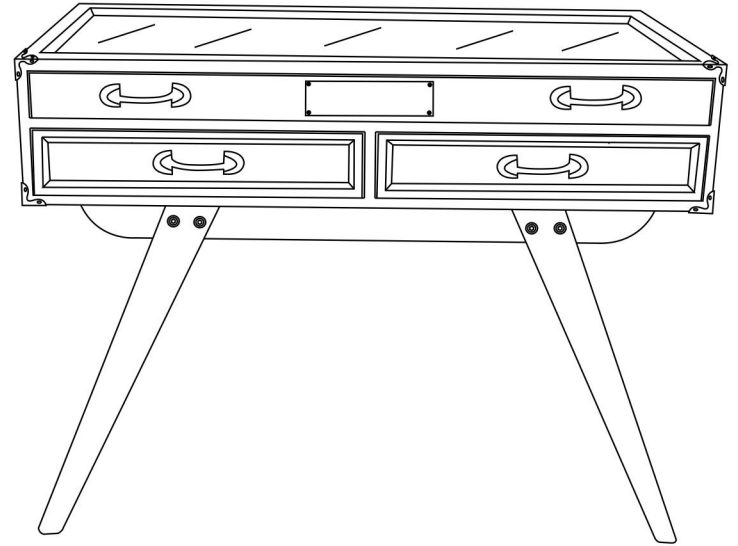


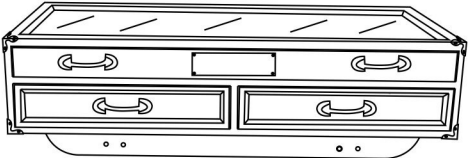
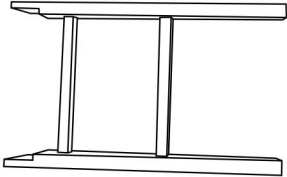

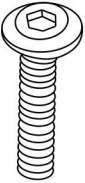
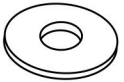

# ITEM NO.:3-50-102-0031

1



2



NO.	A	B	C	D	E	F
TYPE						
QTY	1pcs	2pcs	8pcs	8pcs	8pcs	1pcs