



A x 1



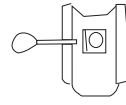
B x 5



C x 1



D x 1



E x 1



F x 1



M6 X 16mm

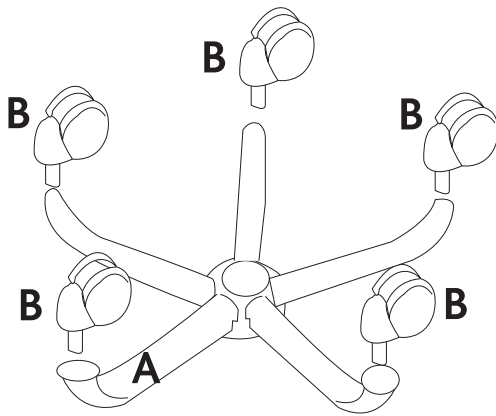
G x 4



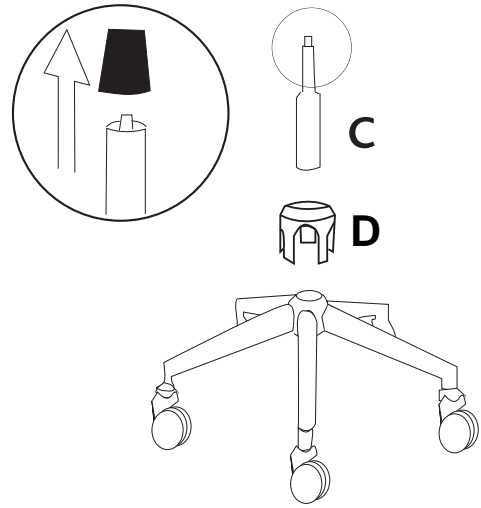
M6

H x 1

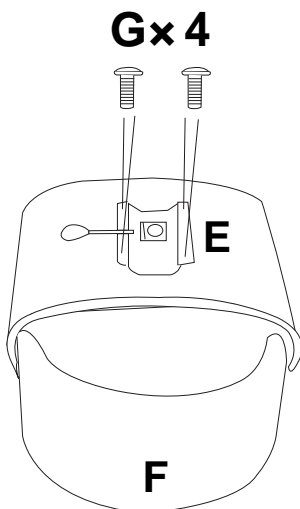
①



②



③



④

