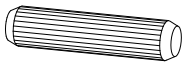



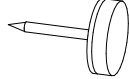

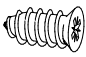
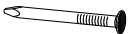
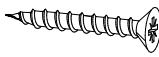
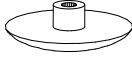
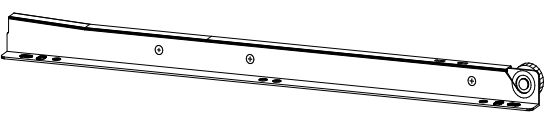
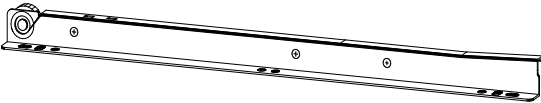
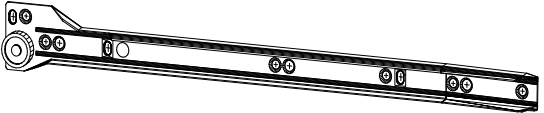
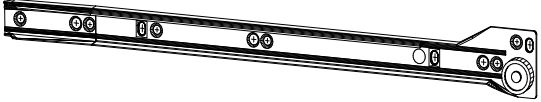
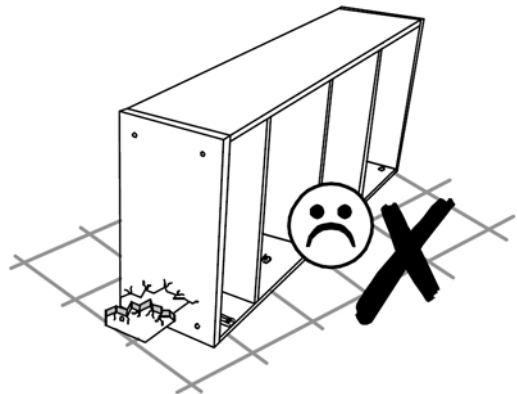
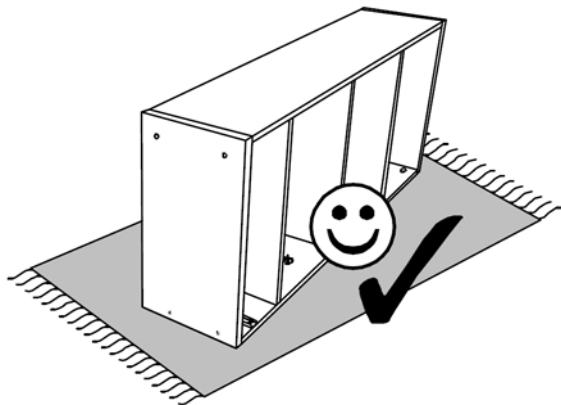
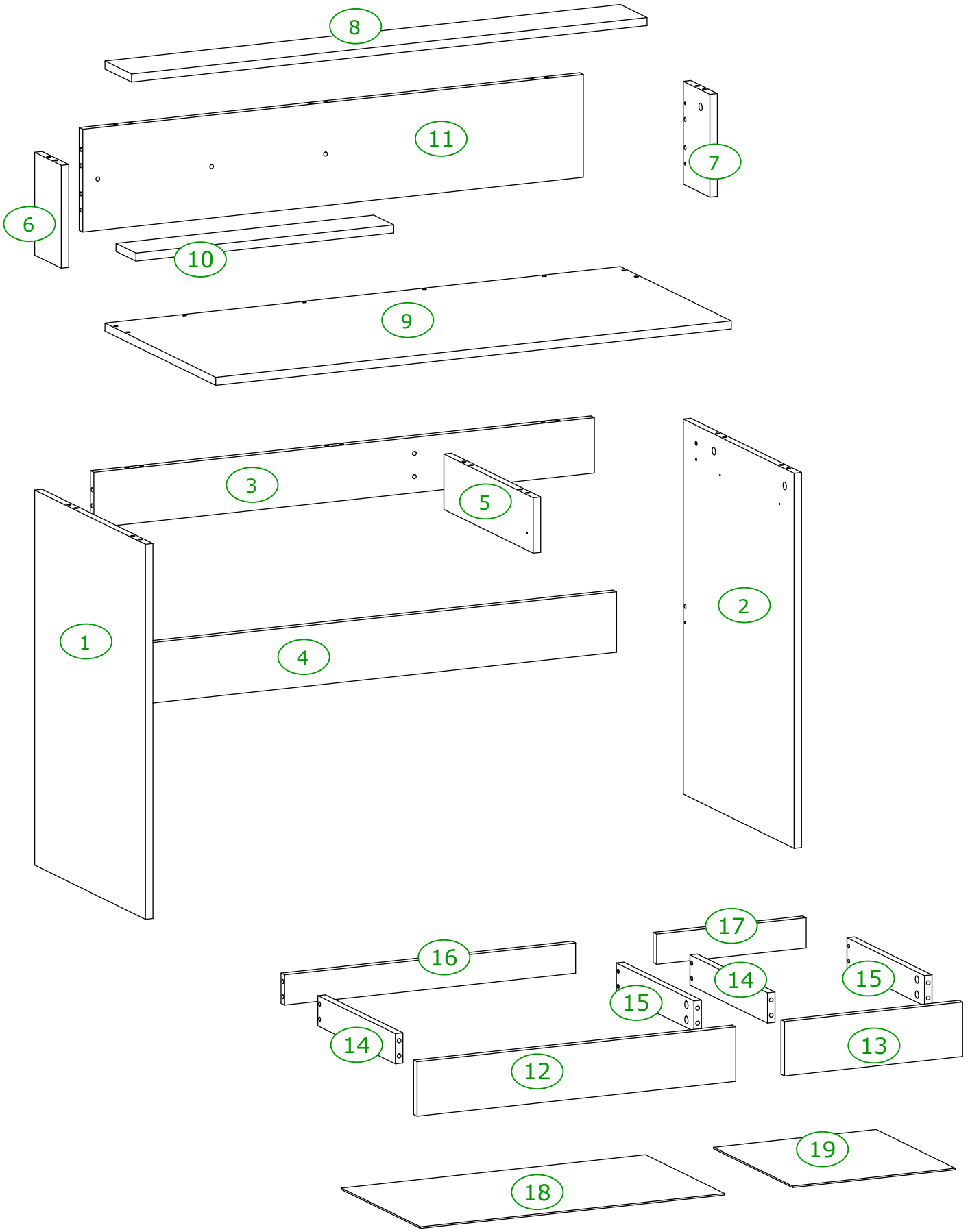



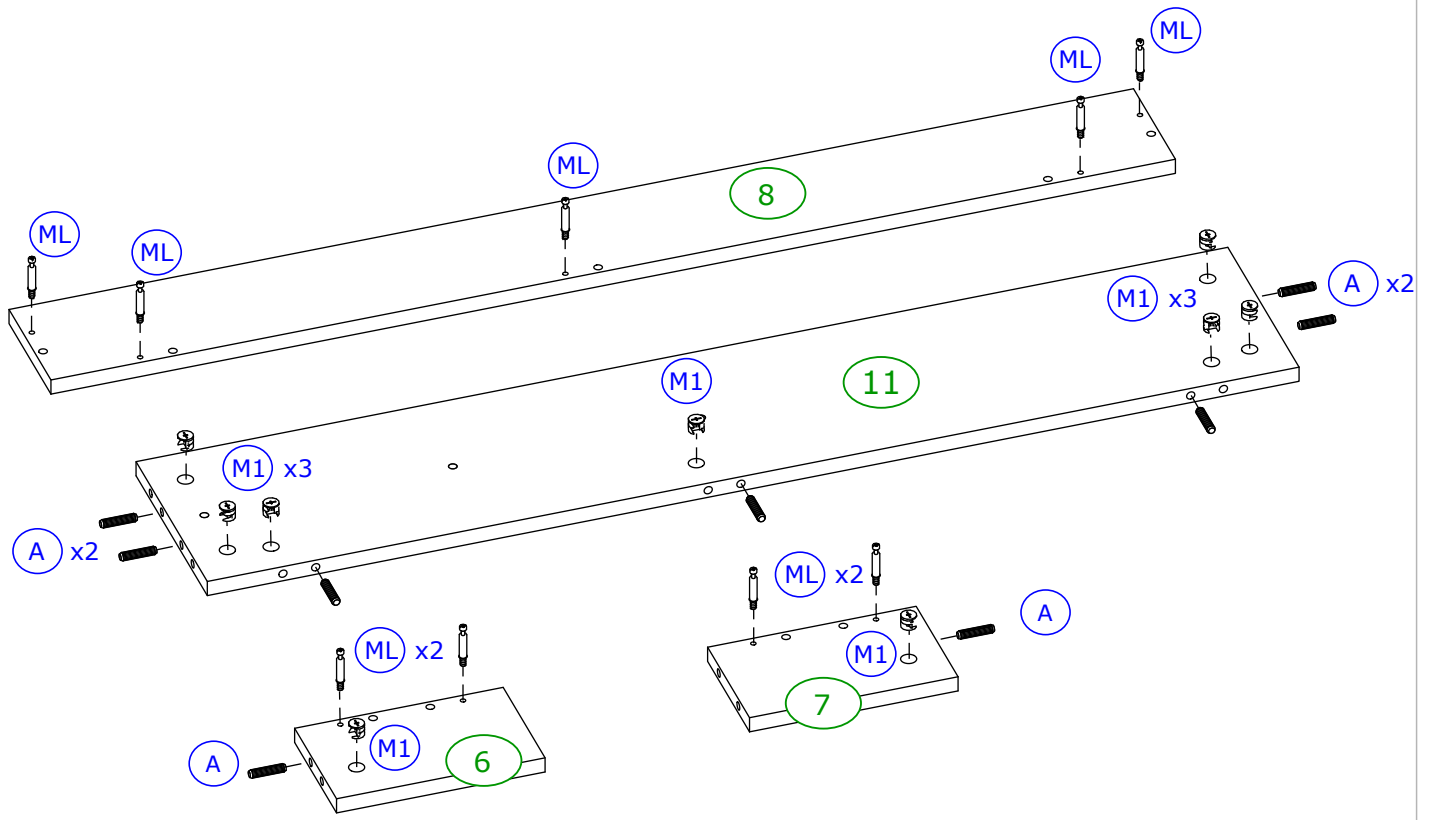


A	22 x	ML	30 x	M1	30 x	D	21 x	SS	4 x	X	2 x
	8 x 35										3,5 x 16
M	6 x	G	20 x	K	8 x	MZ	10 x				
					3 x 25						
T					2 x	I					2 x
					L 350						L 350
B					2 x	C					2 x
					L 350						L 350

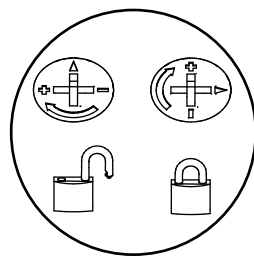
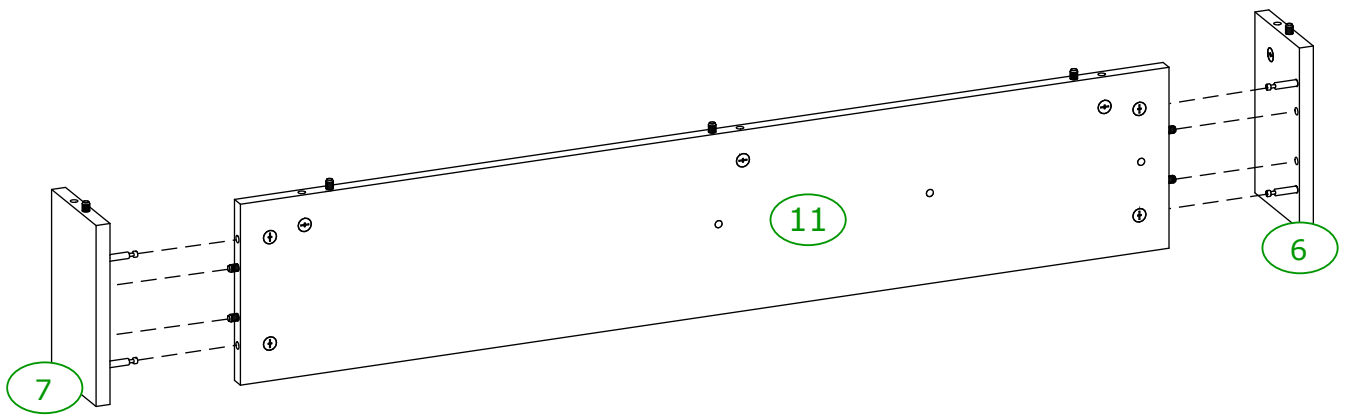




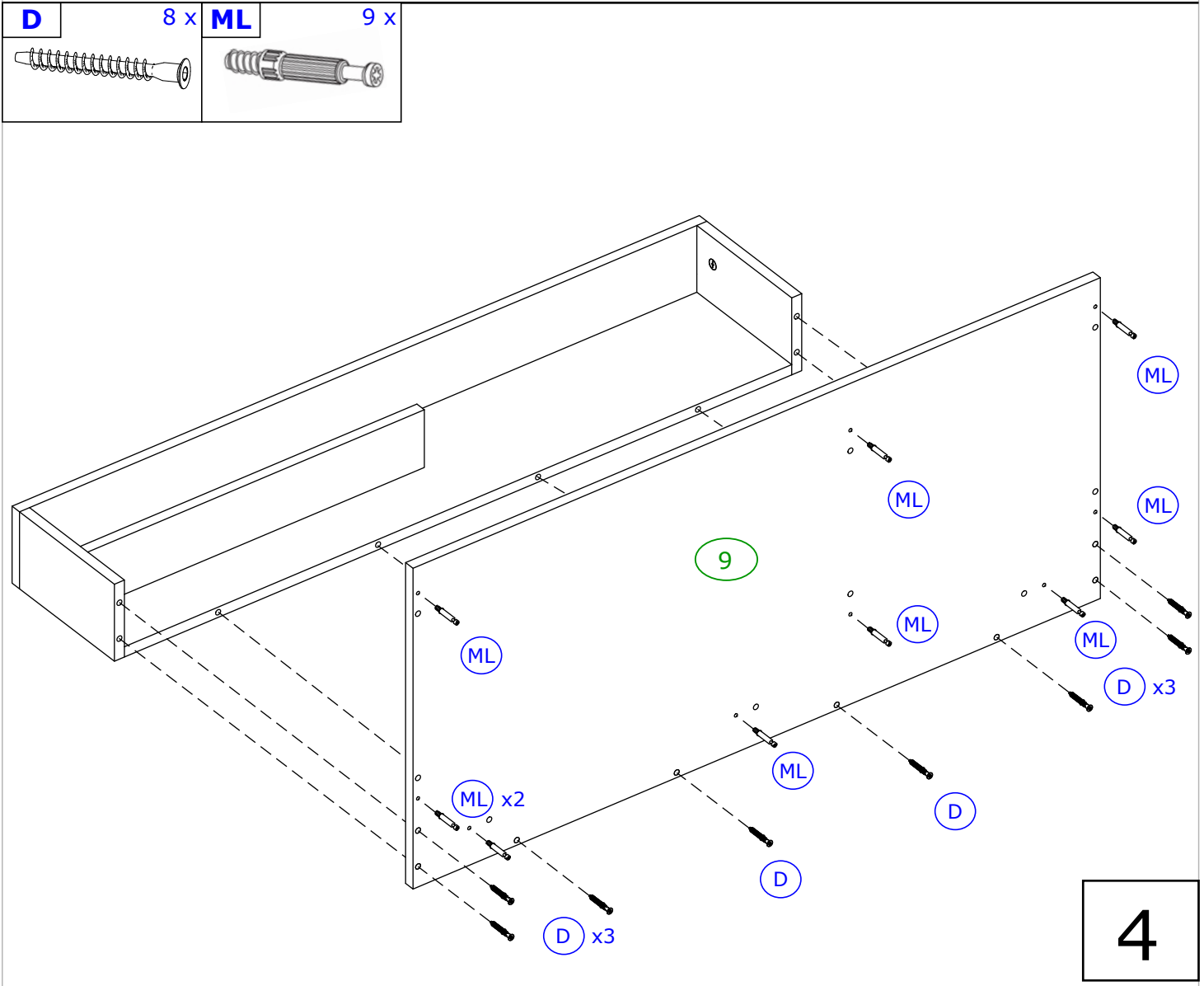
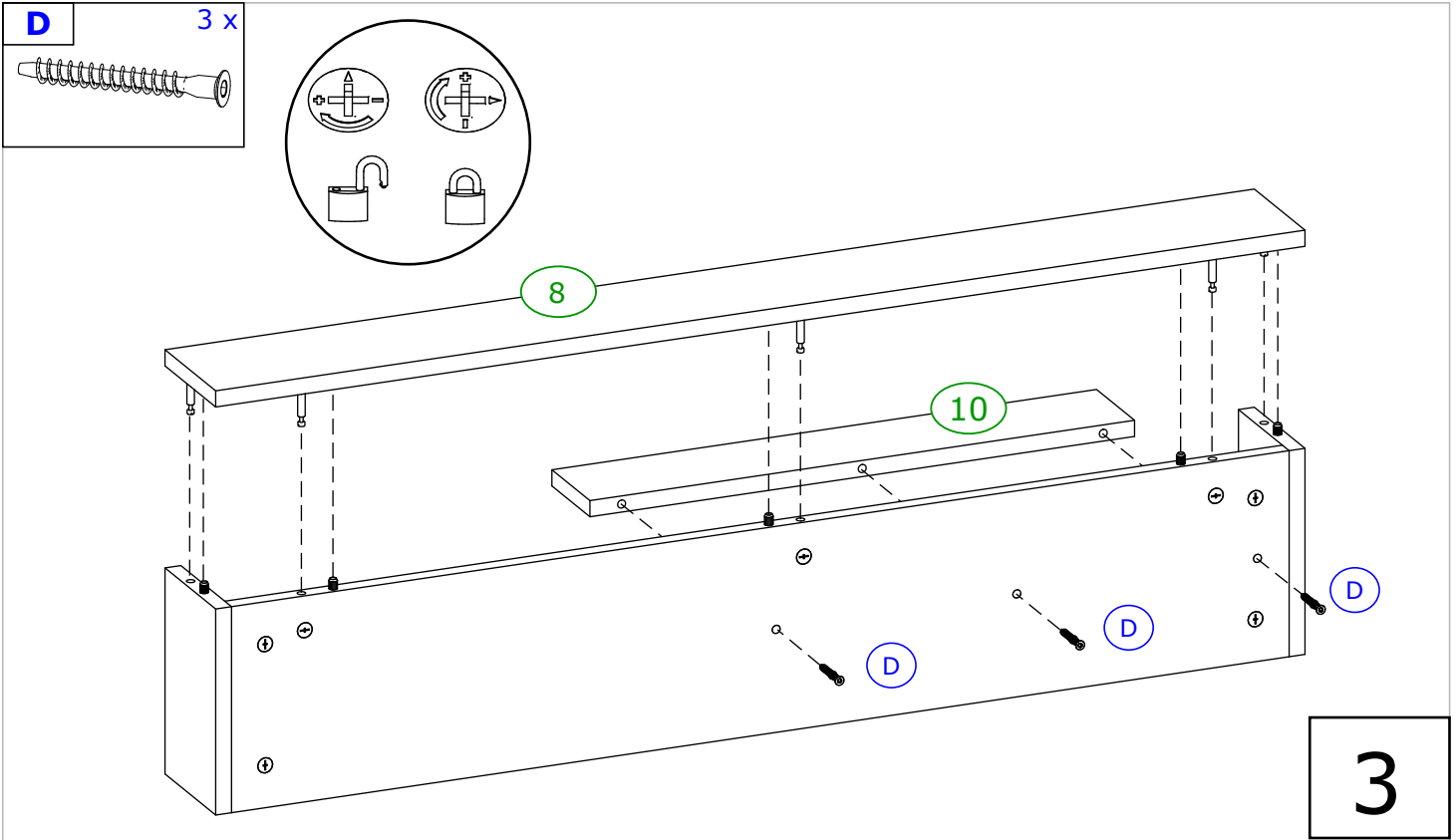
A	9 x	ML	9 x	M1	9 x
					
	8 x 35				




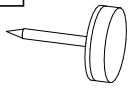


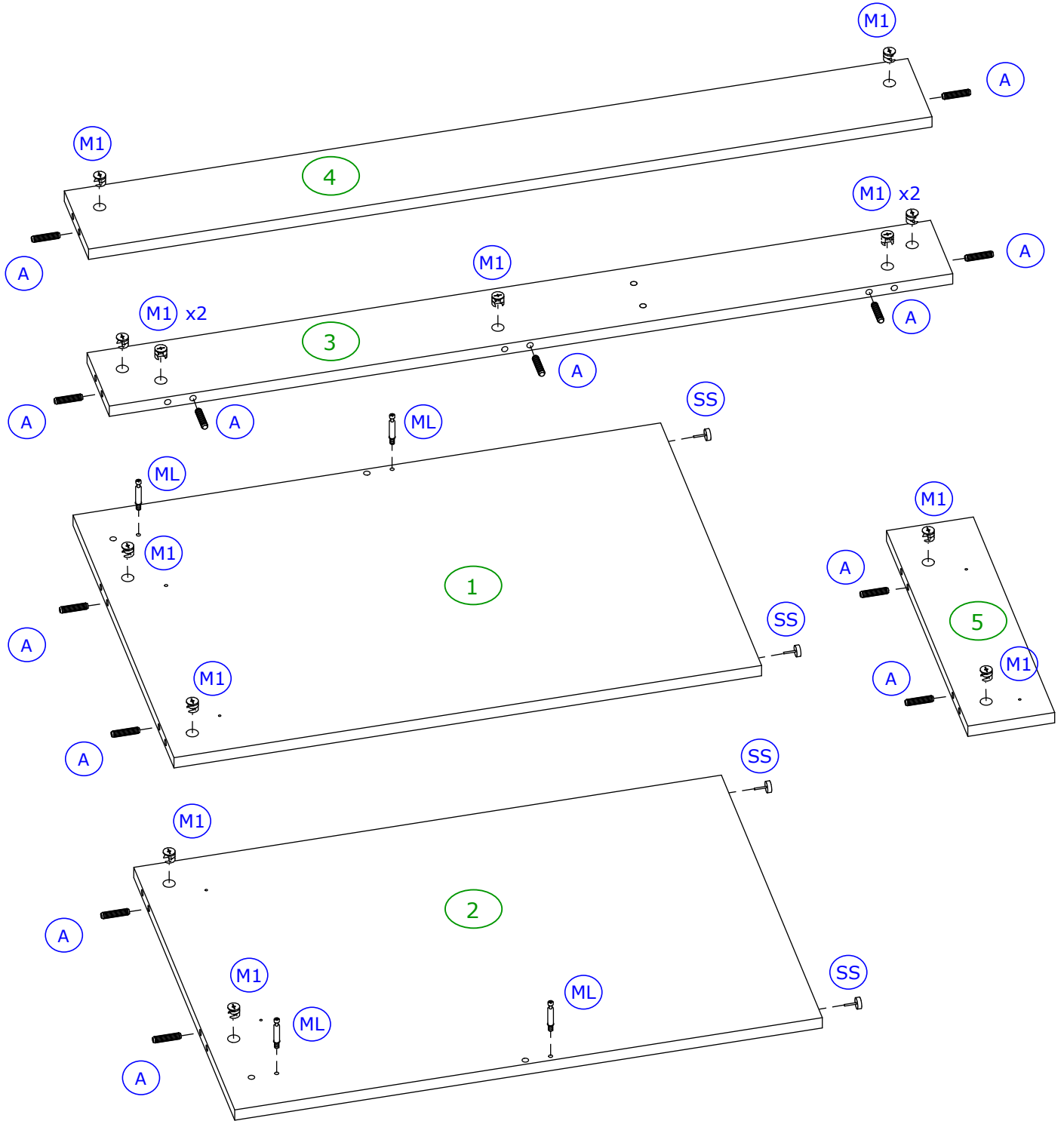
1



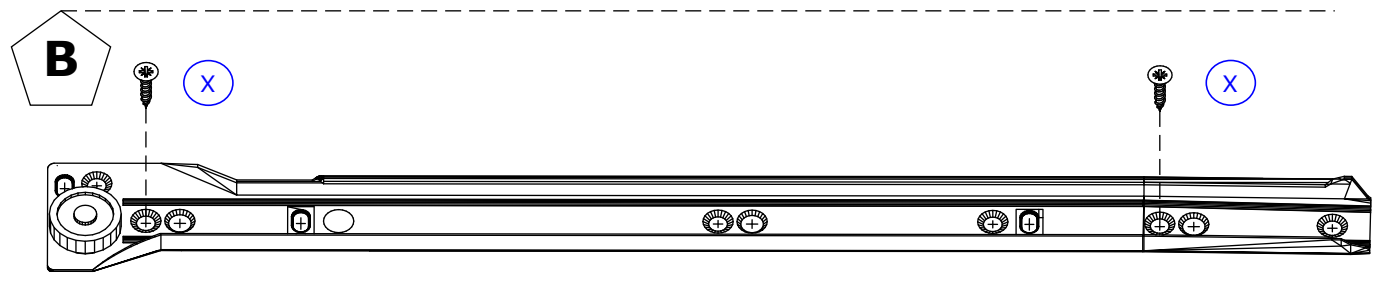
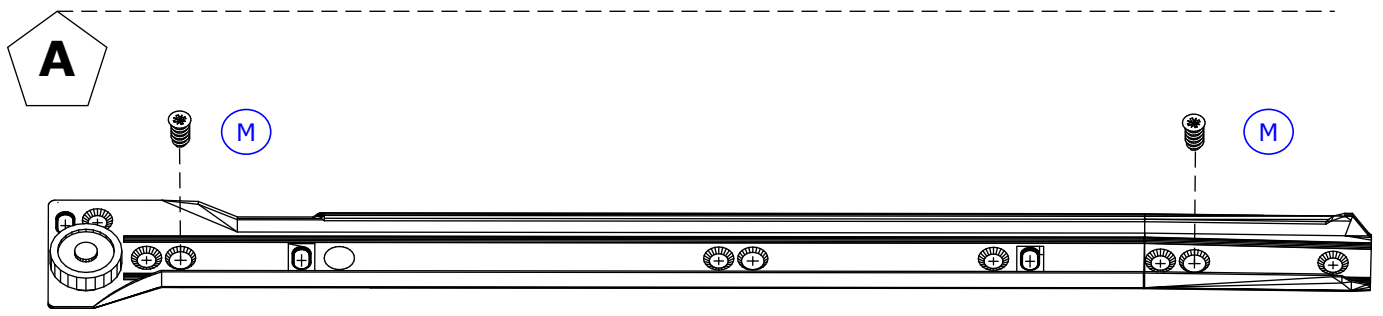
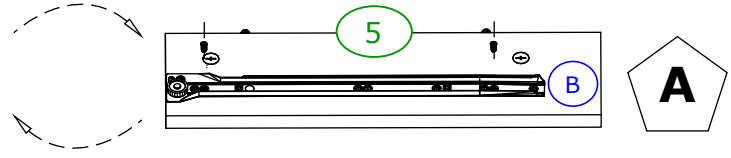
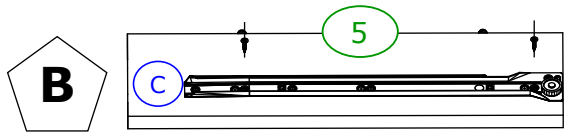
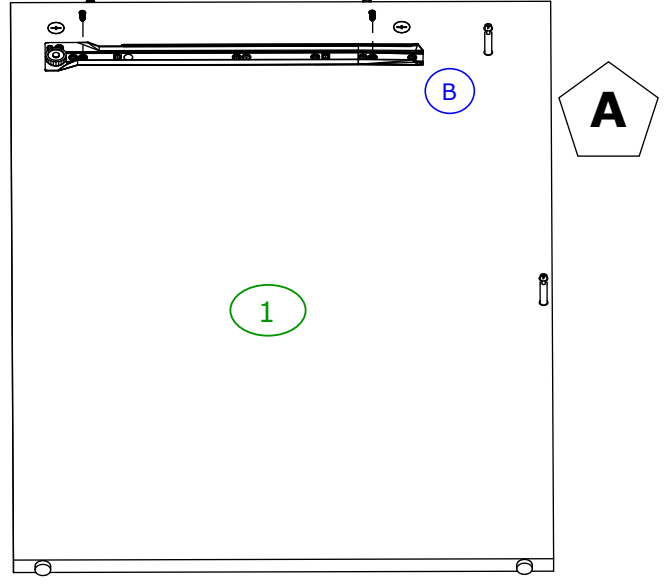
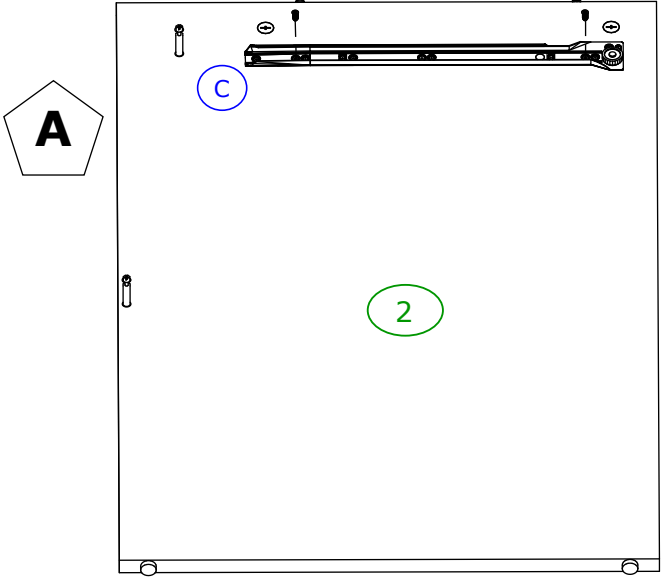
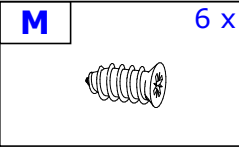
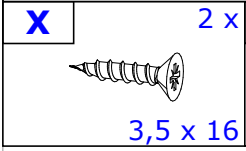
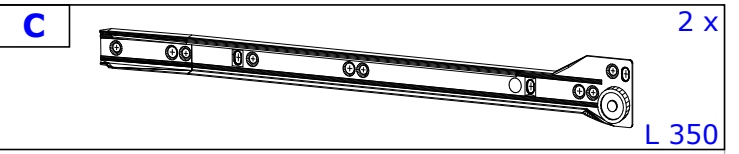
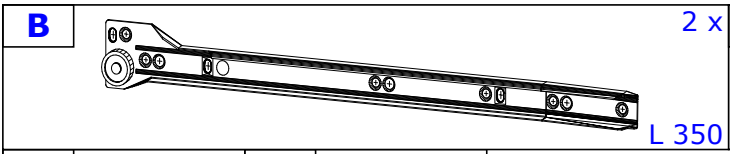
2



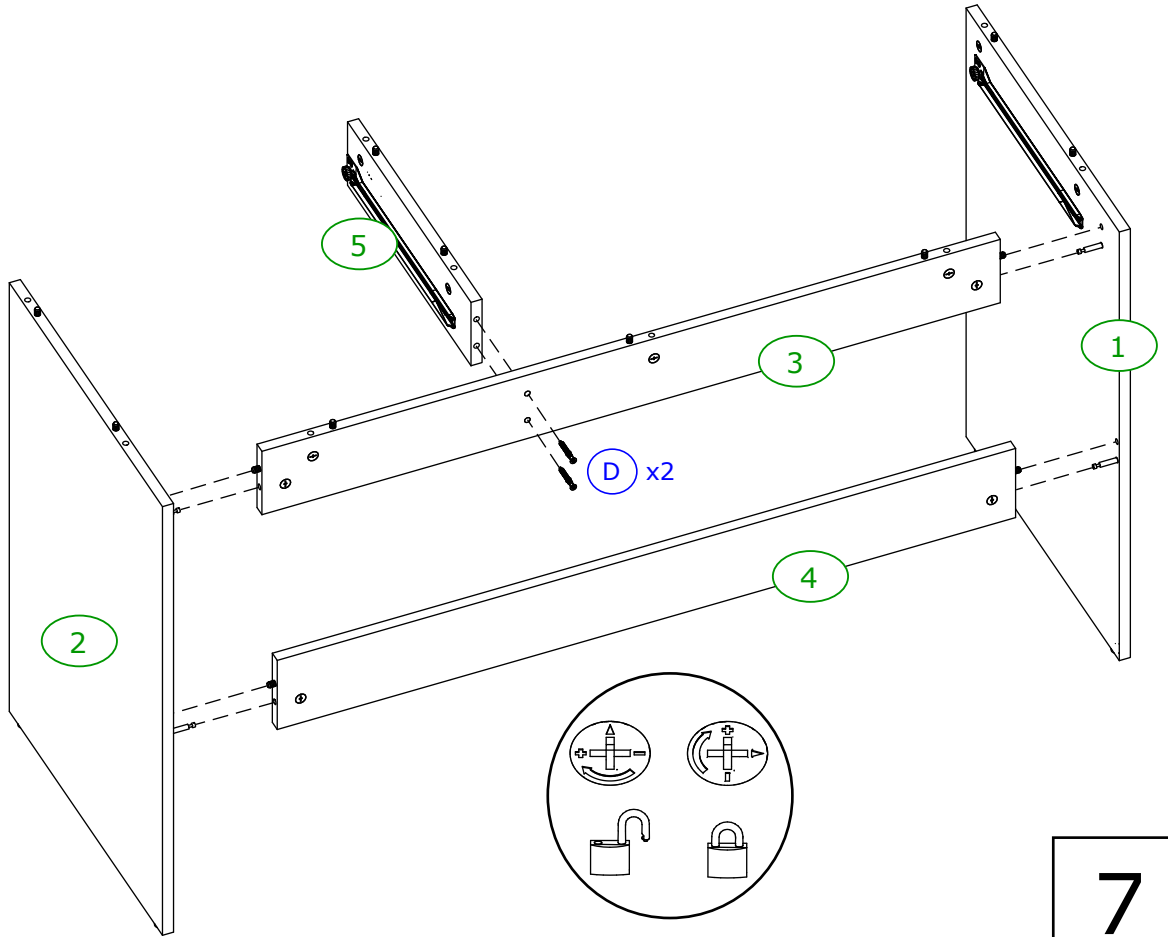
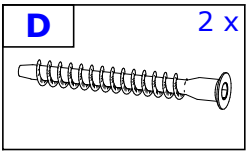
A	13 x	ML	4 x	M1	13 x	SS	6 x
							
	8 x 35						



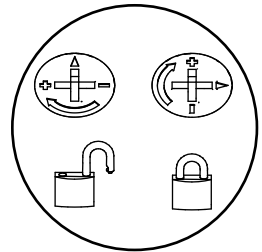
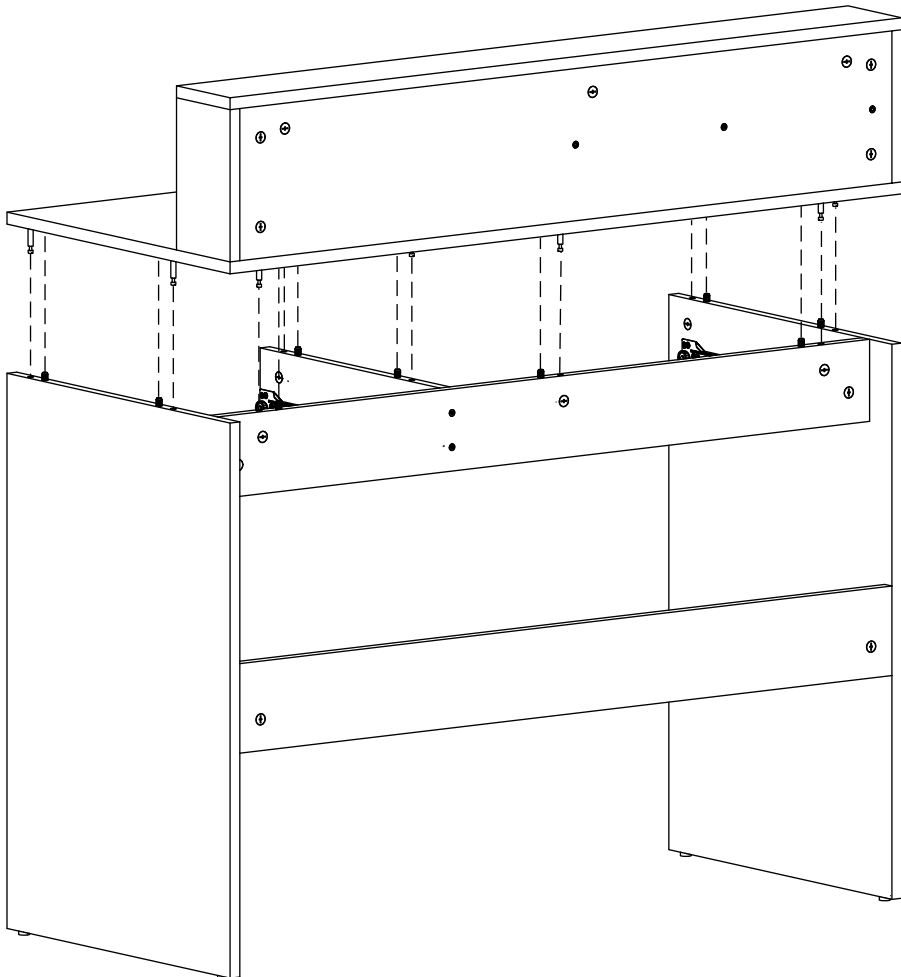
5



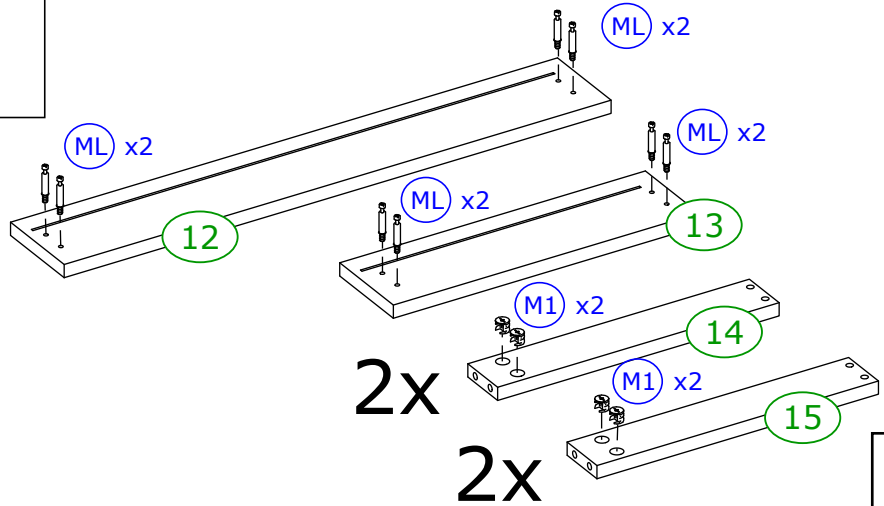
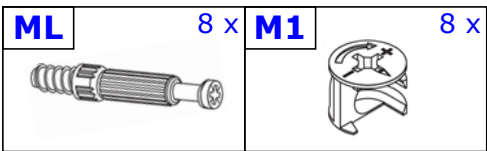
6



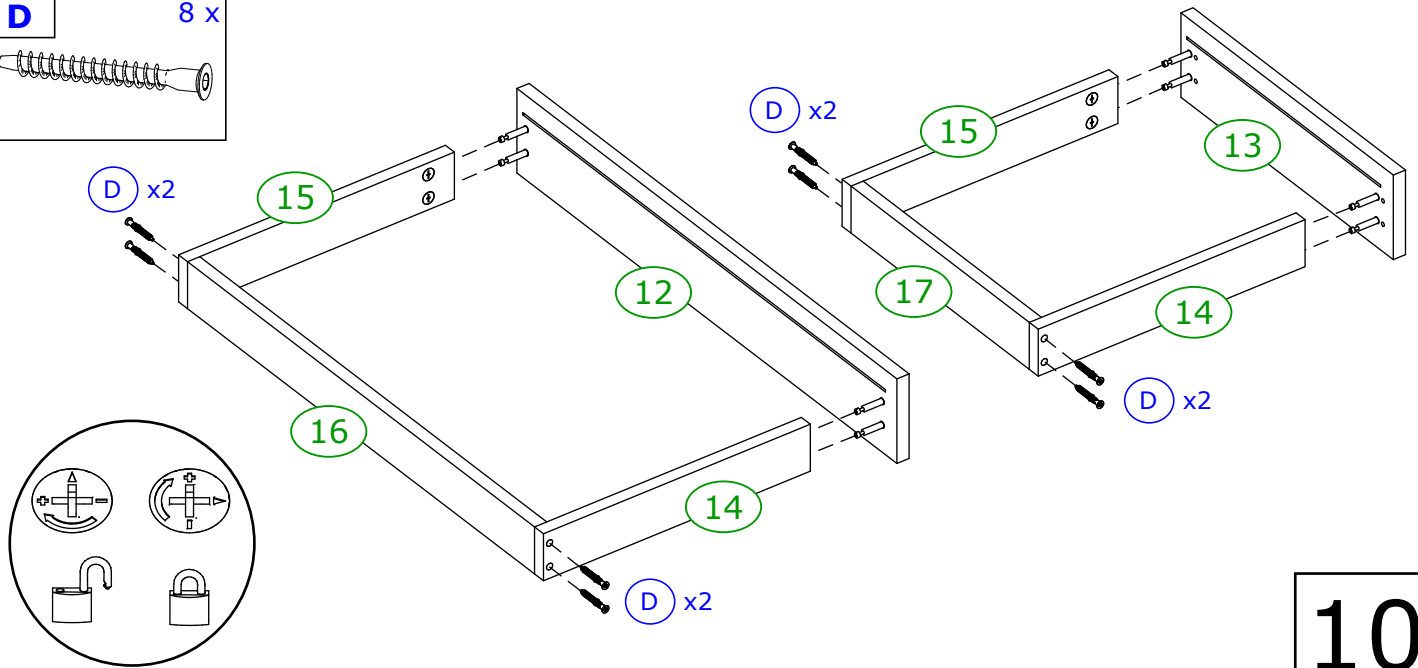
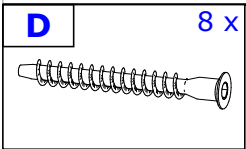
7



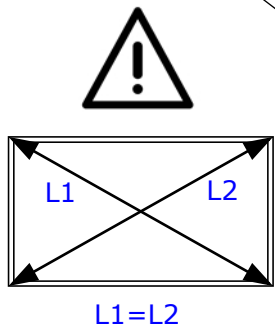
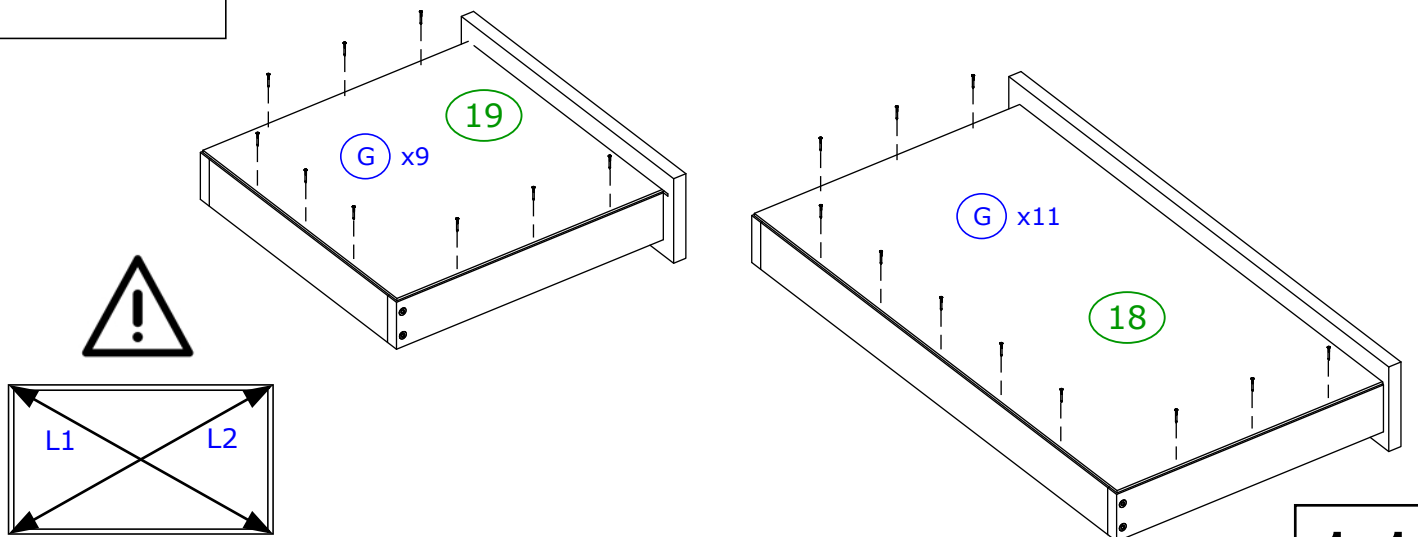
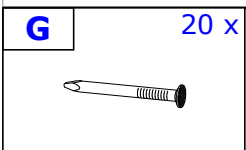
8



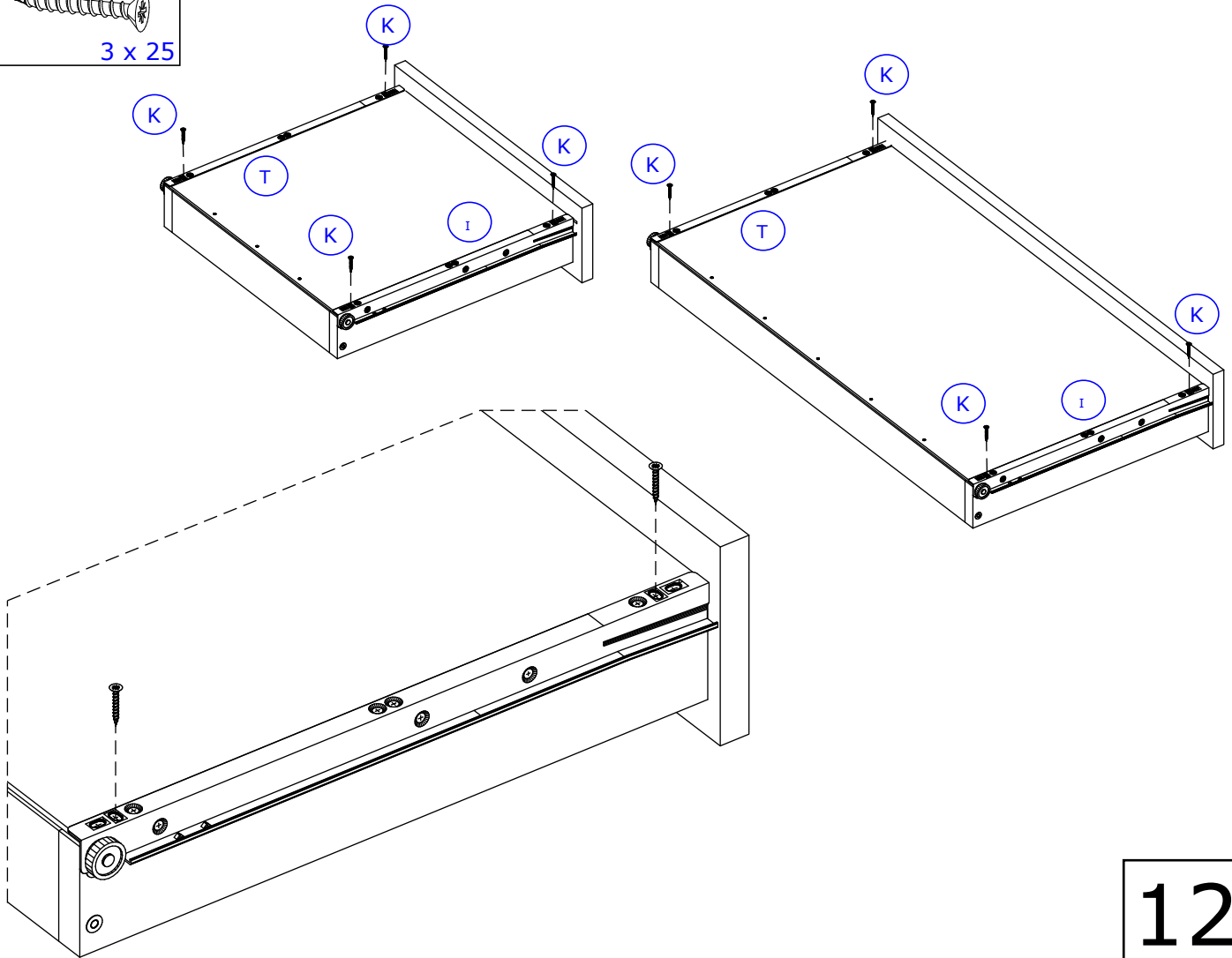
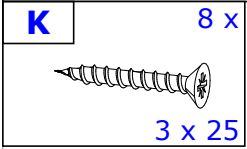
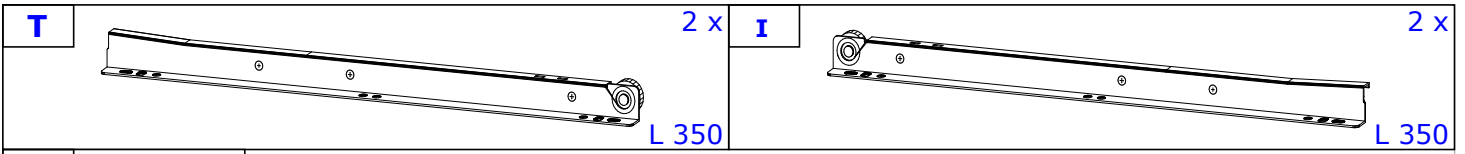
9



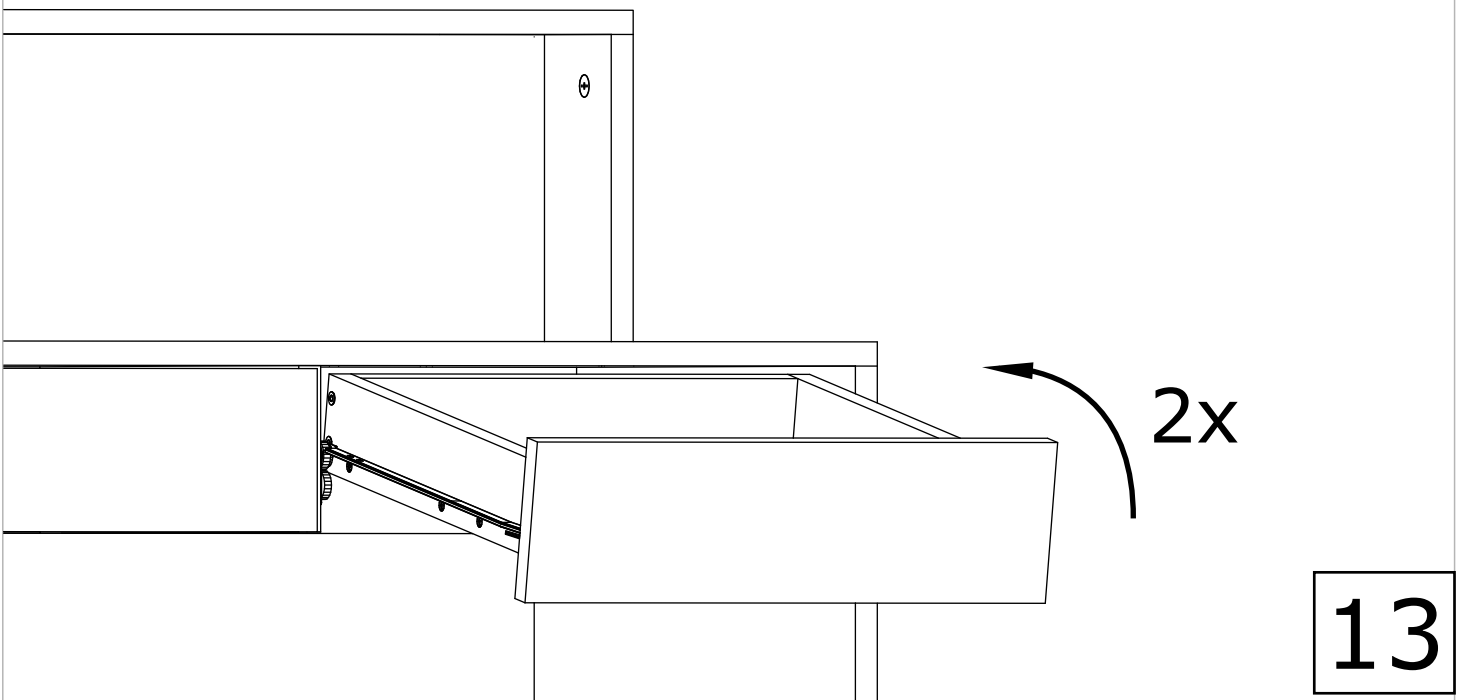
10



11



12



13