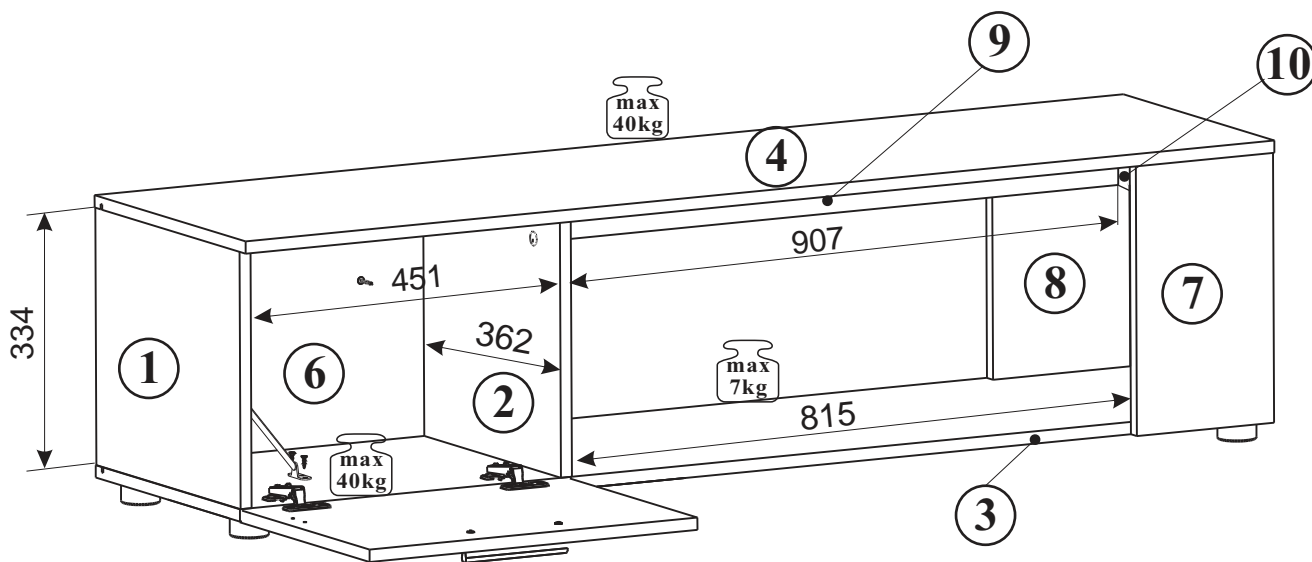
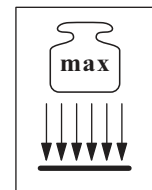
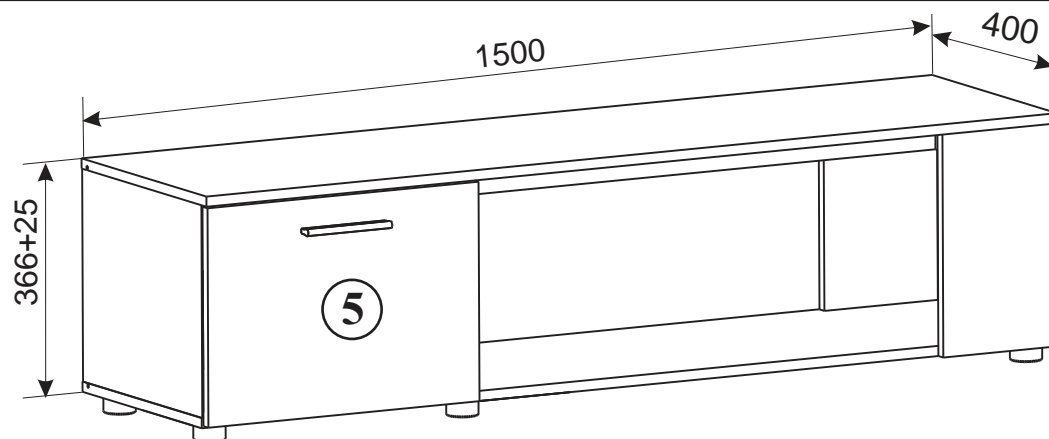
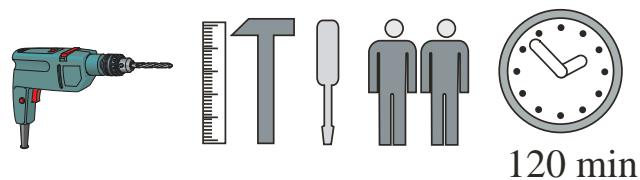


MAZE - __ MZ1 TYP 30



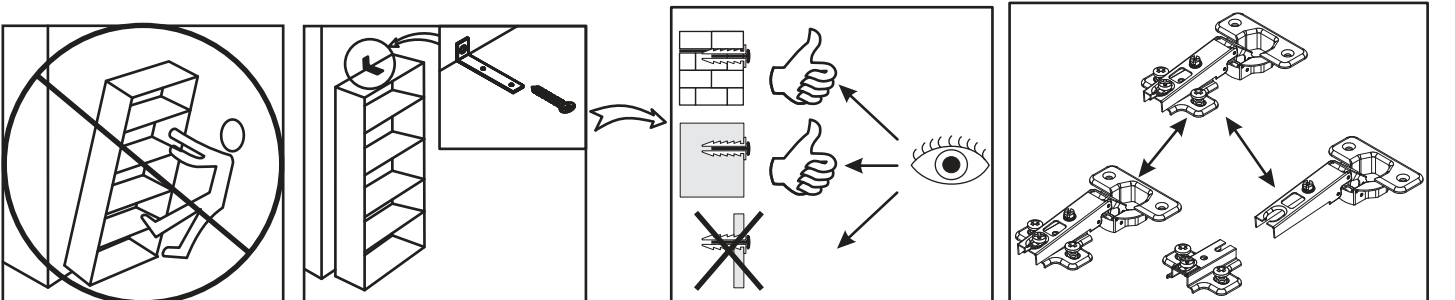
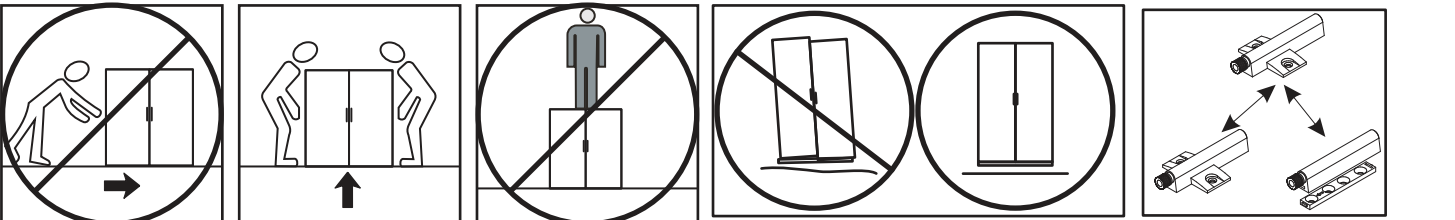
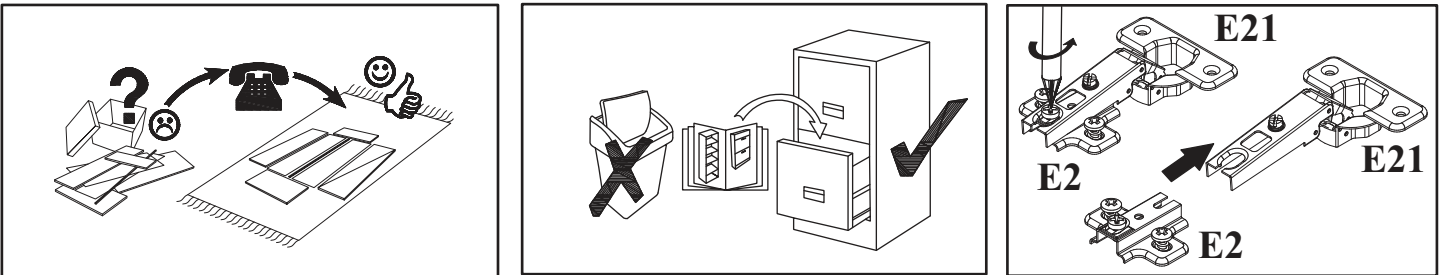
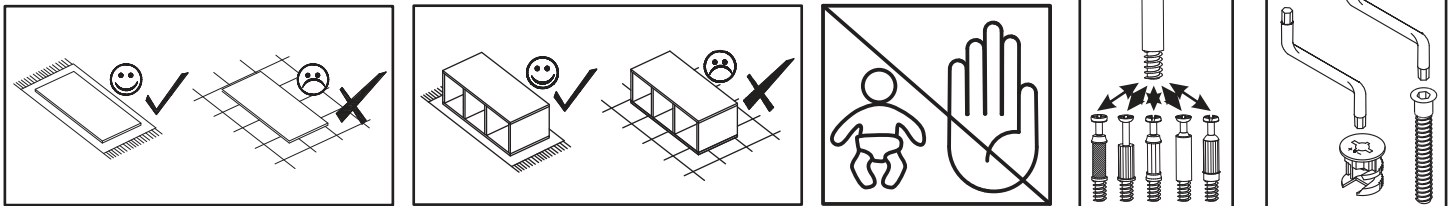
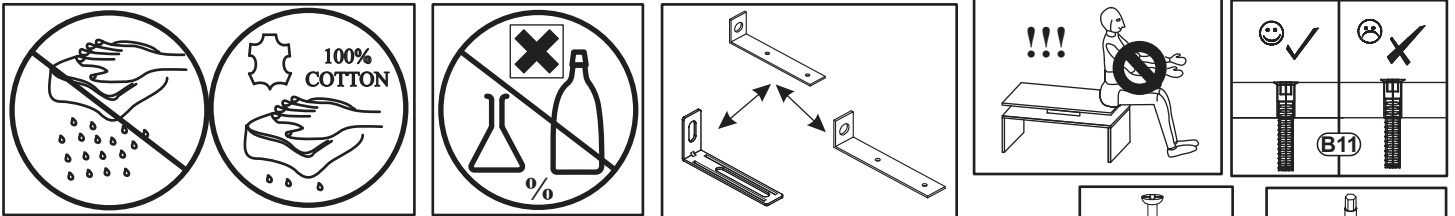
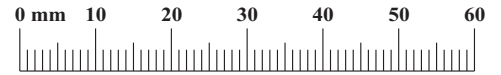
NO	DIM.		COL.-NO	QTY	
1	334	382	16	1/1	1
2	334	382	16	1/1	1
3	1500	382	16	1/1	1
4	1500	400	16	1/1	1
5	478	344	16	1/1	1
6	463	346	3	1/1	1
7	350	200	16	1/1	1
8	334	200	16	1/1	1
9	906	60	16	1/1	1
10	365	60	16	1/1	1



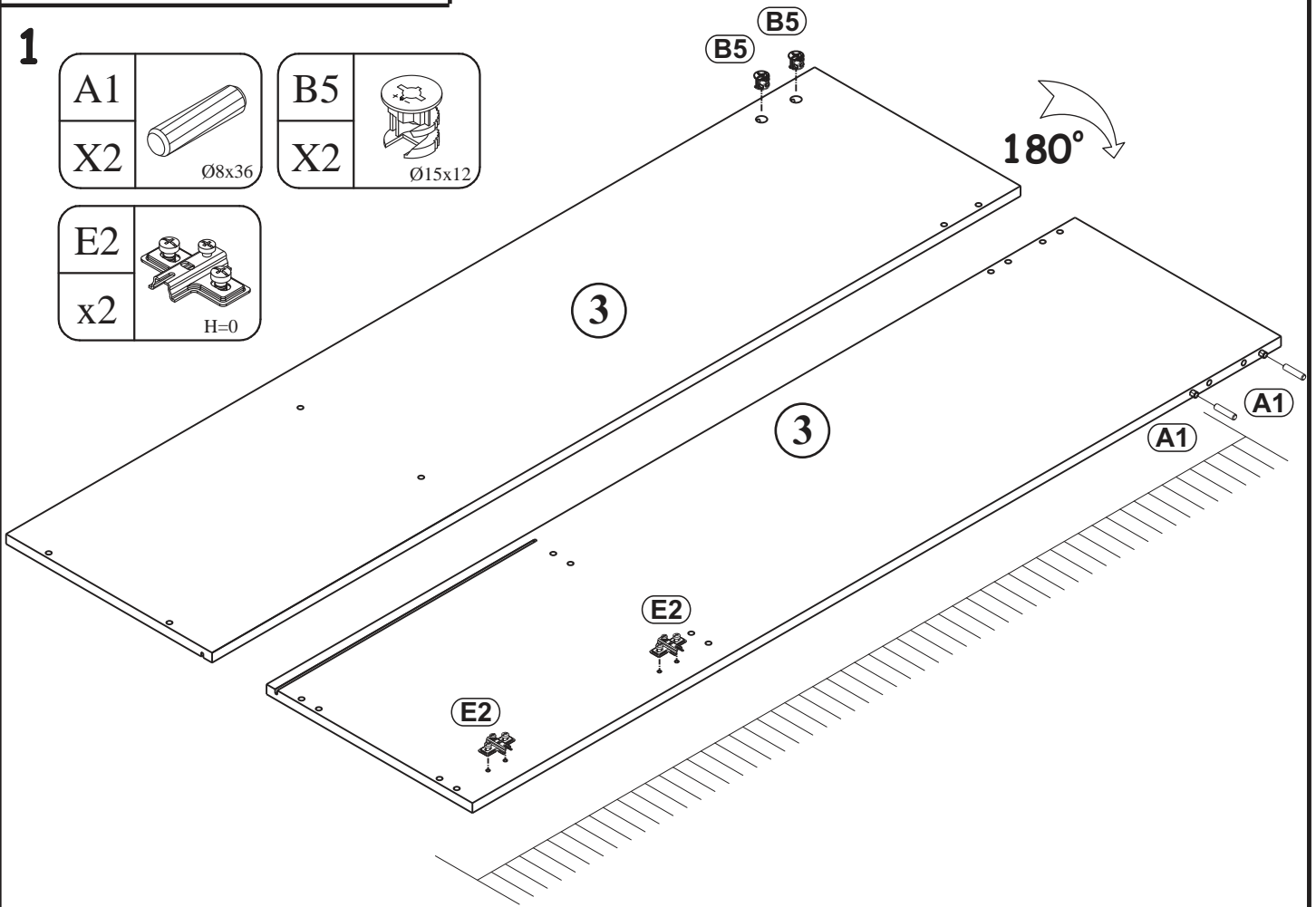
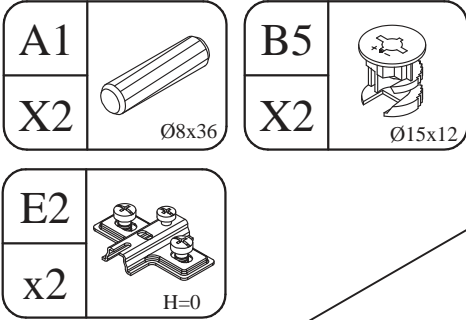
120 min

MAZE - __ MZ1 TYP 30

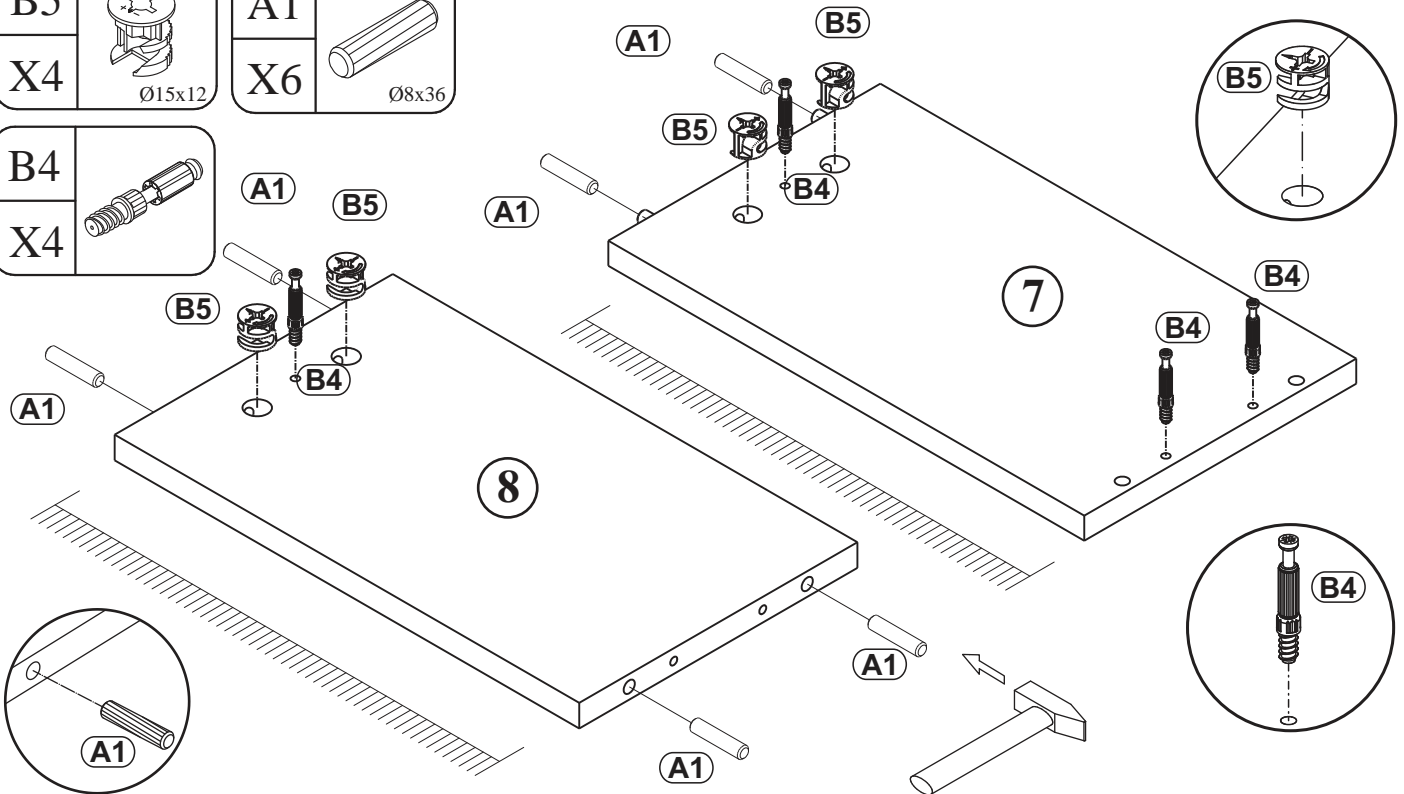
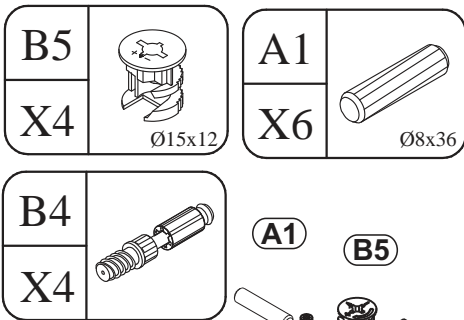
A1 X21 Ø8x36	B4 X16 34	B5 X16 Ø15x12	G5 X16	D10 X8 USØ3,5x13	E21 x2 Ø35 H=0
E2 x2 H=0	KL X1 L-128mm.	UP6 X2 UPØ4x30	S1 X6	KR1 x1 Ø8	L1 x1
ST7 X6 Ø50, h=25	UP11 X6 UPØ4x20	G21 x1	D7 X3 USØ3x16	G2 x1	
B11 X6 Ø7x50	G4 X6 C				



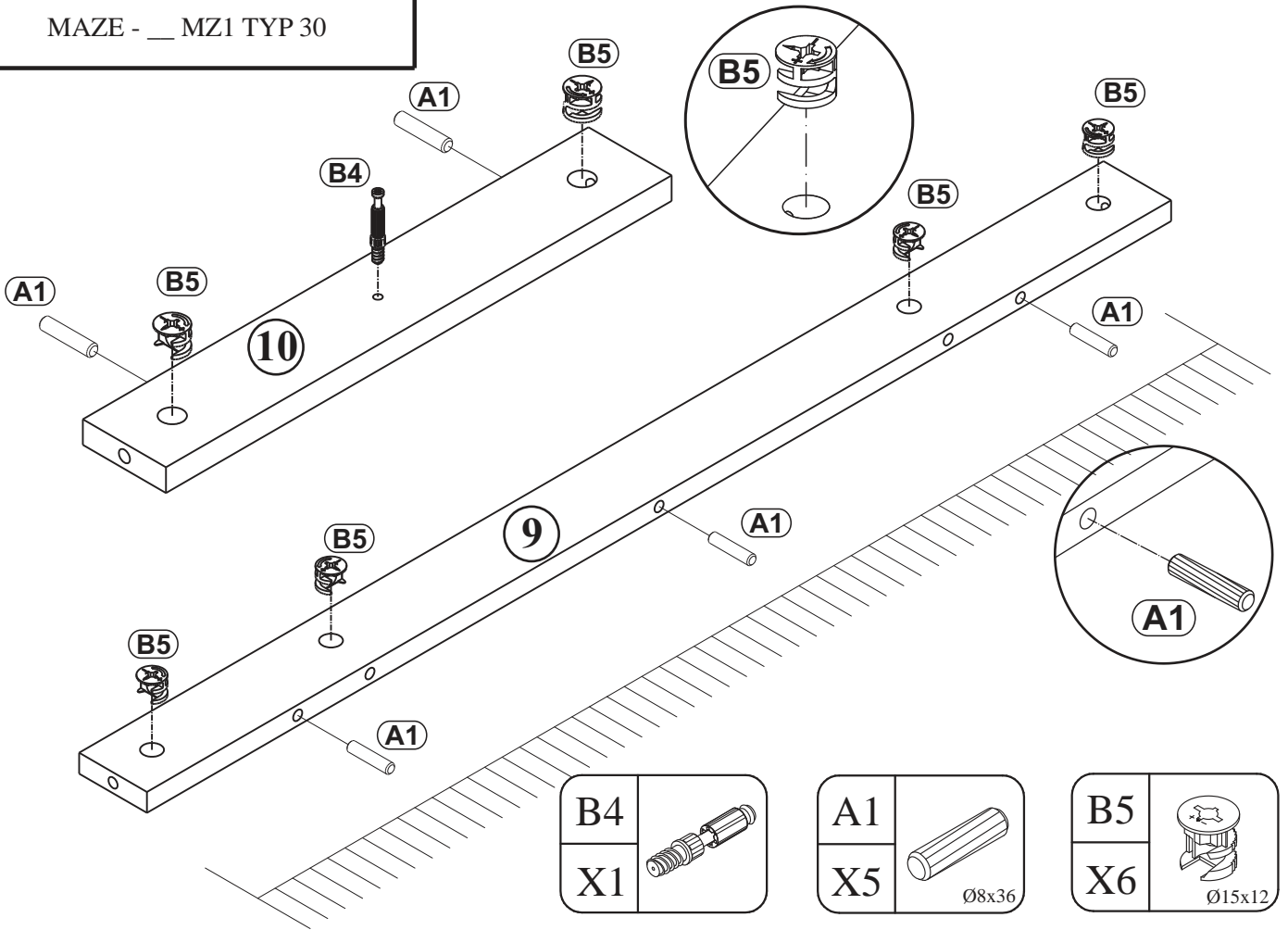
1



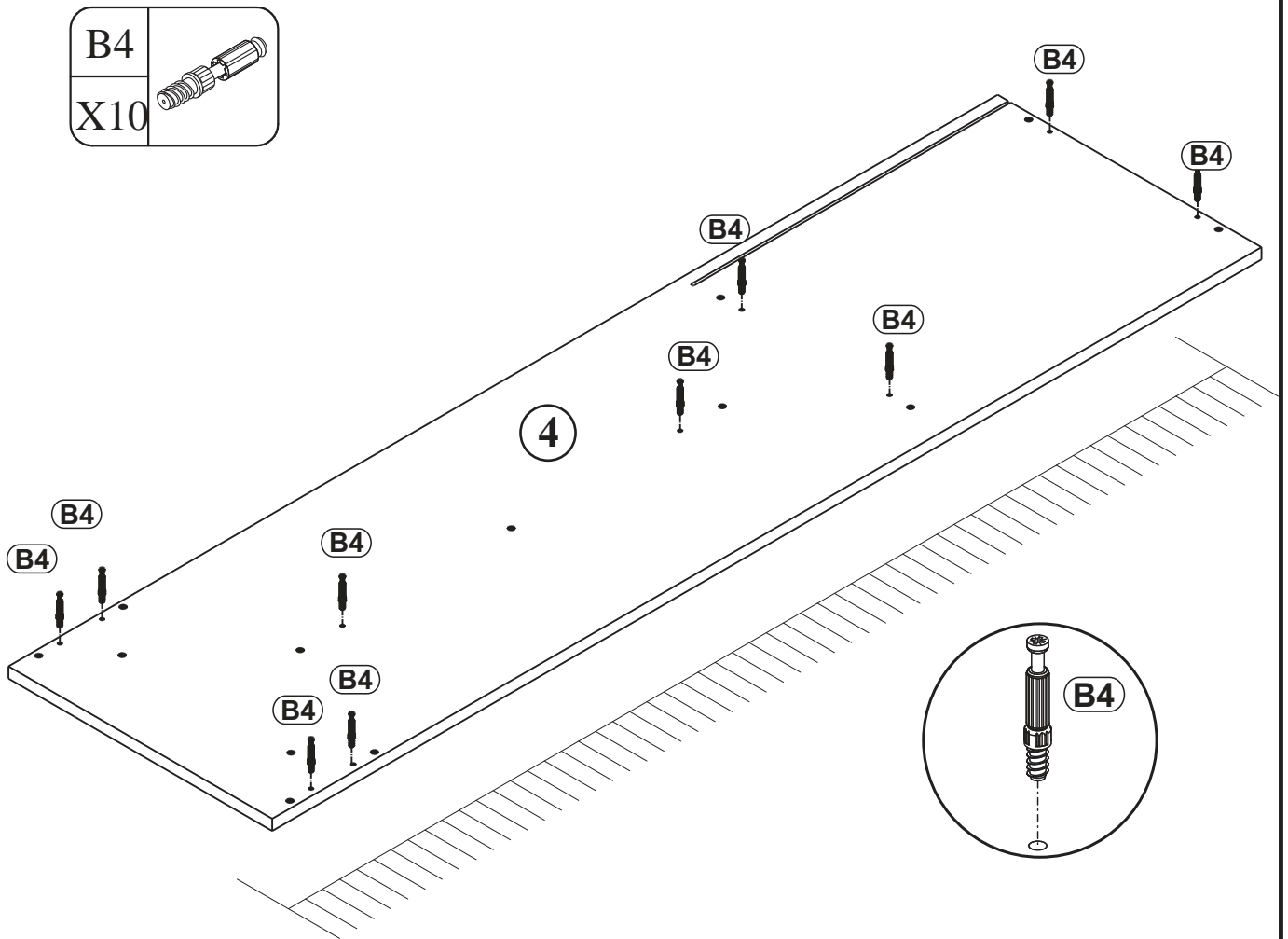
2



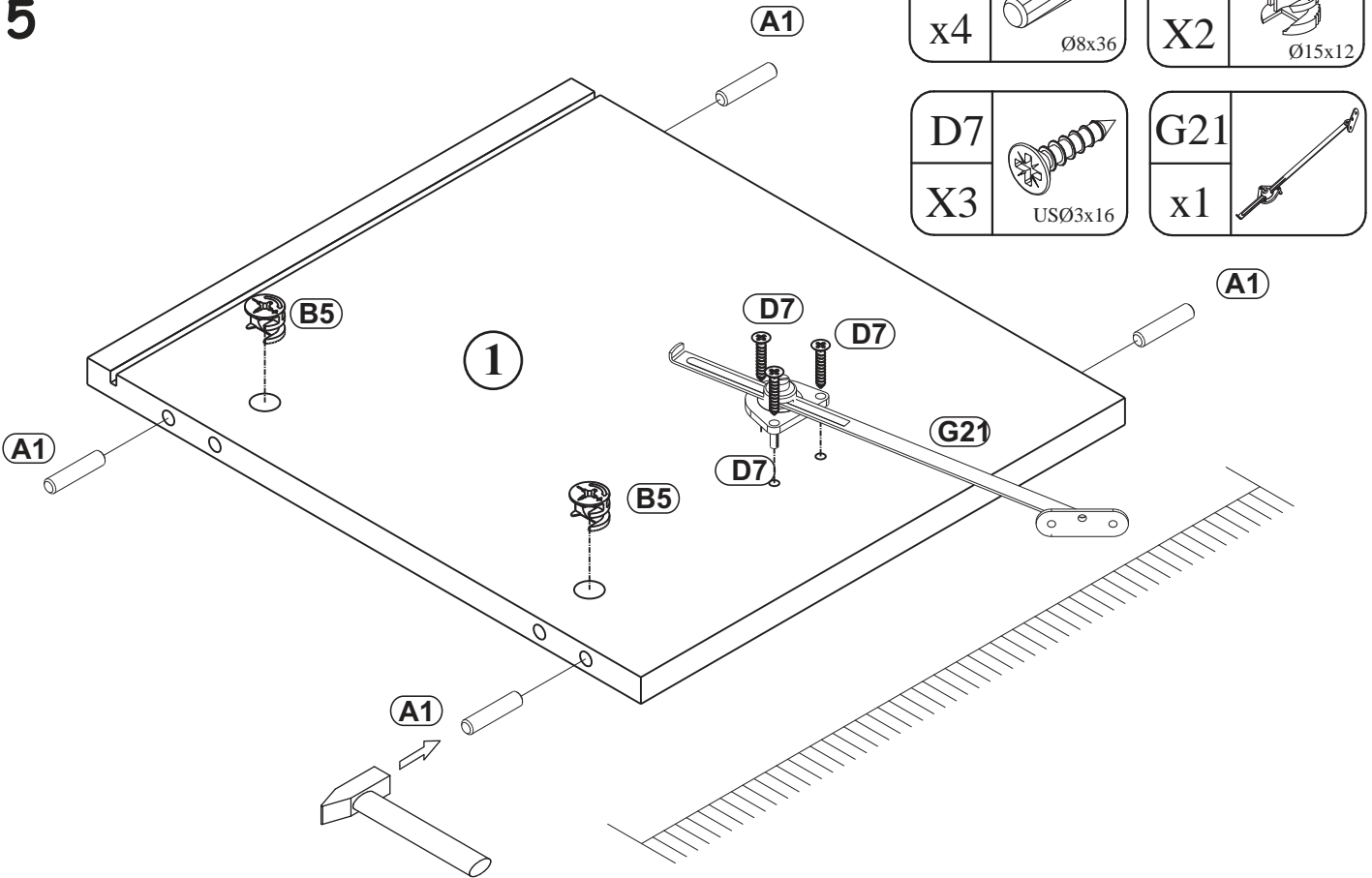
3



4



5



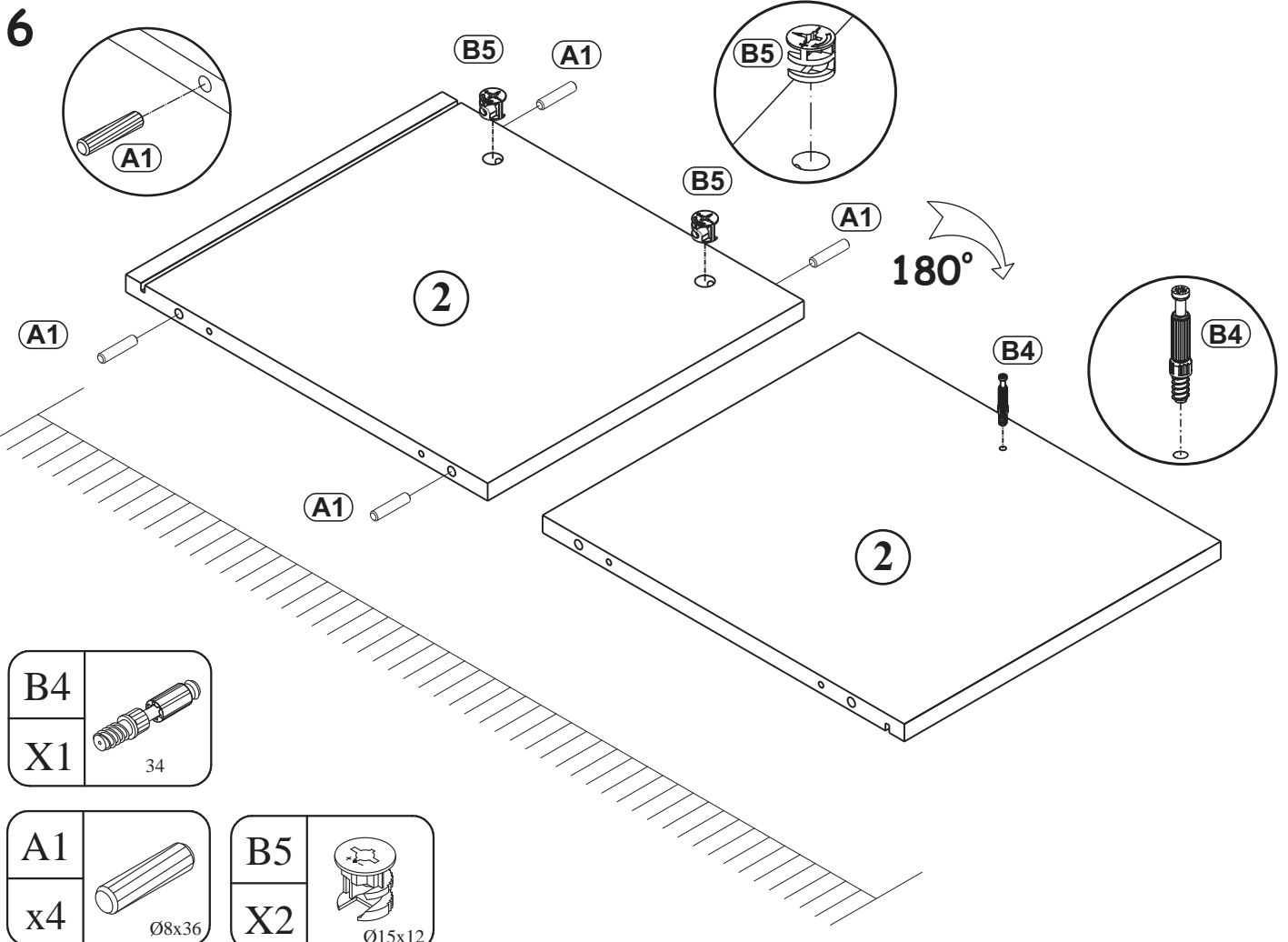
A1	
x4	Ø8x36

B5	
X2	Ø15x12

D7	
X3	USØ3x16

G21	
x1	

6

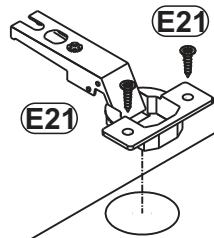
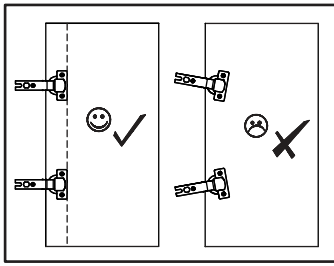



B4	
X1	34

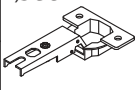
A1	
x4	Ø8x36

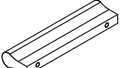
B5	
X2	Ø15x12

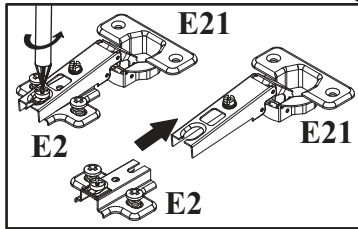
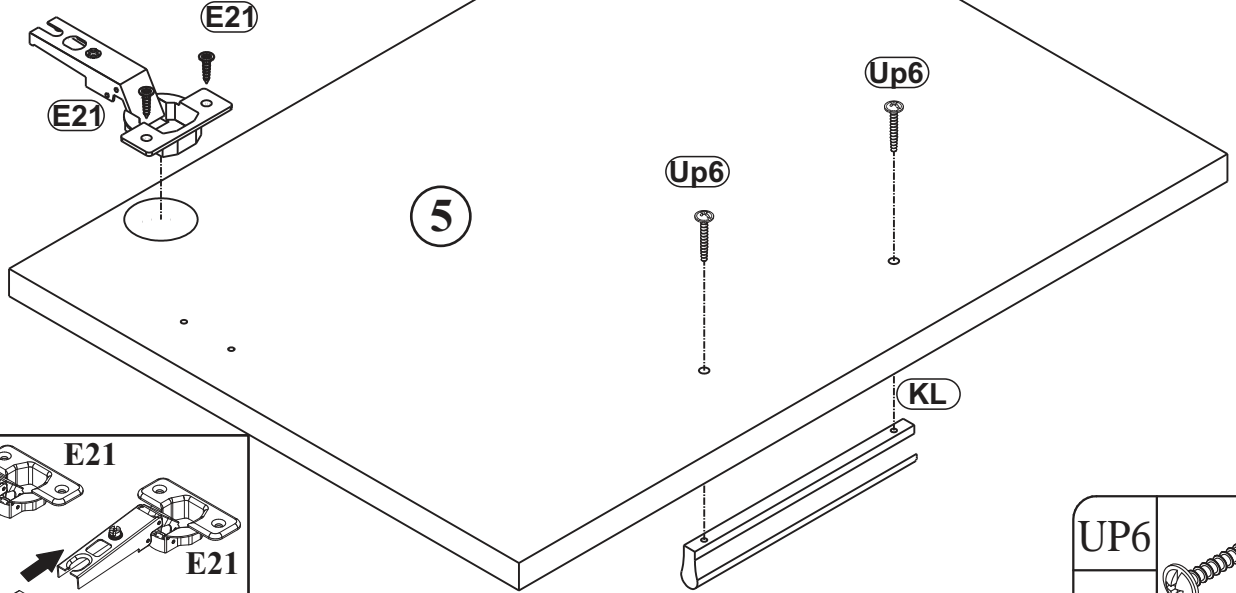
7

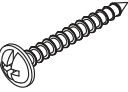


D10	
X4	USØ3,5x13


E21	Ø35
x2	
	H=0

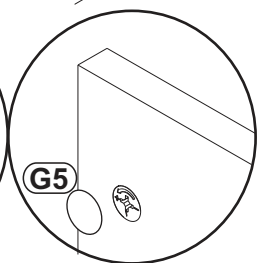
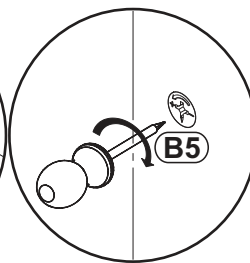
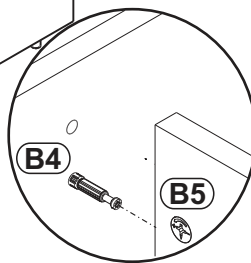
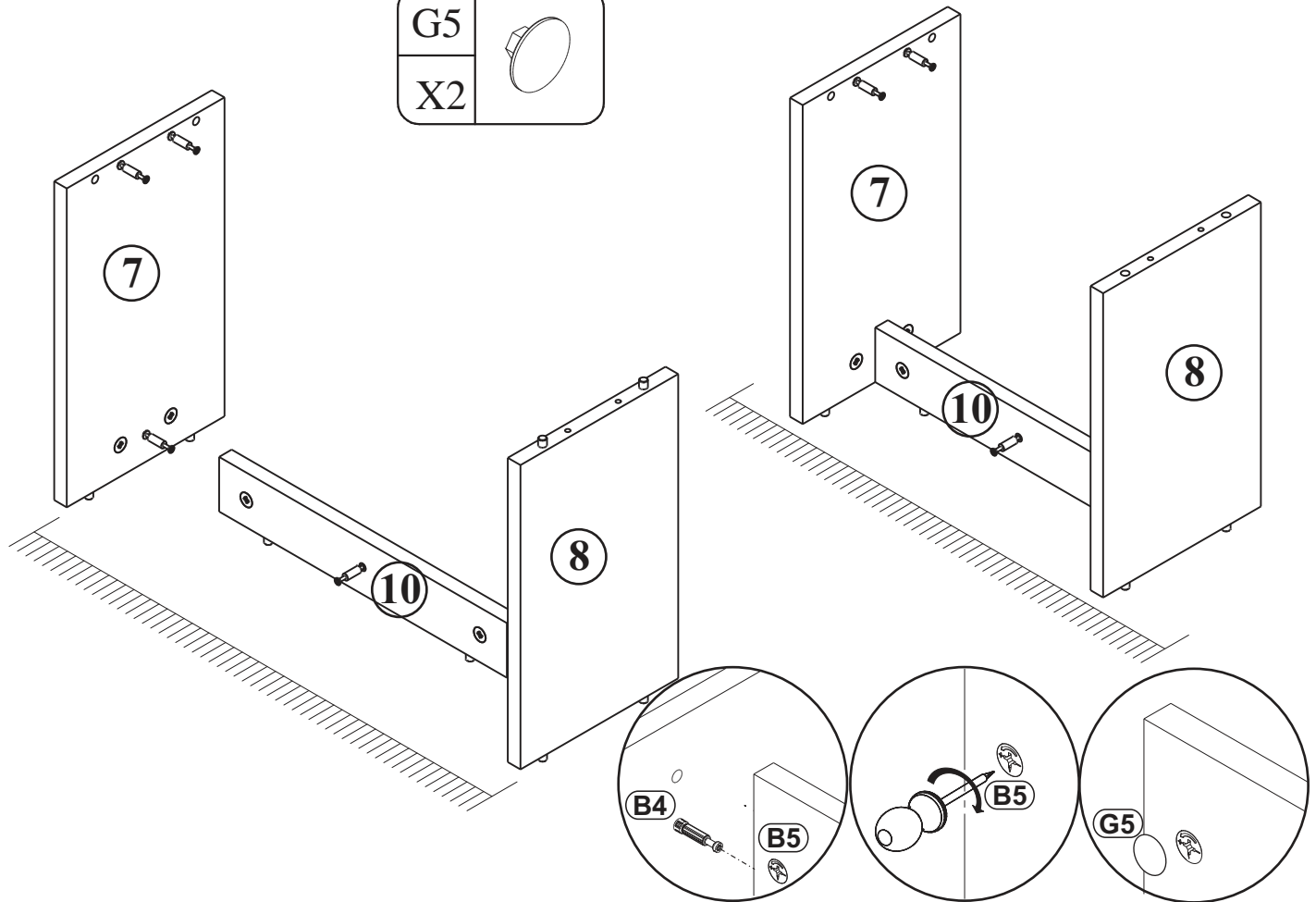
KL	
X1	L=128mm.



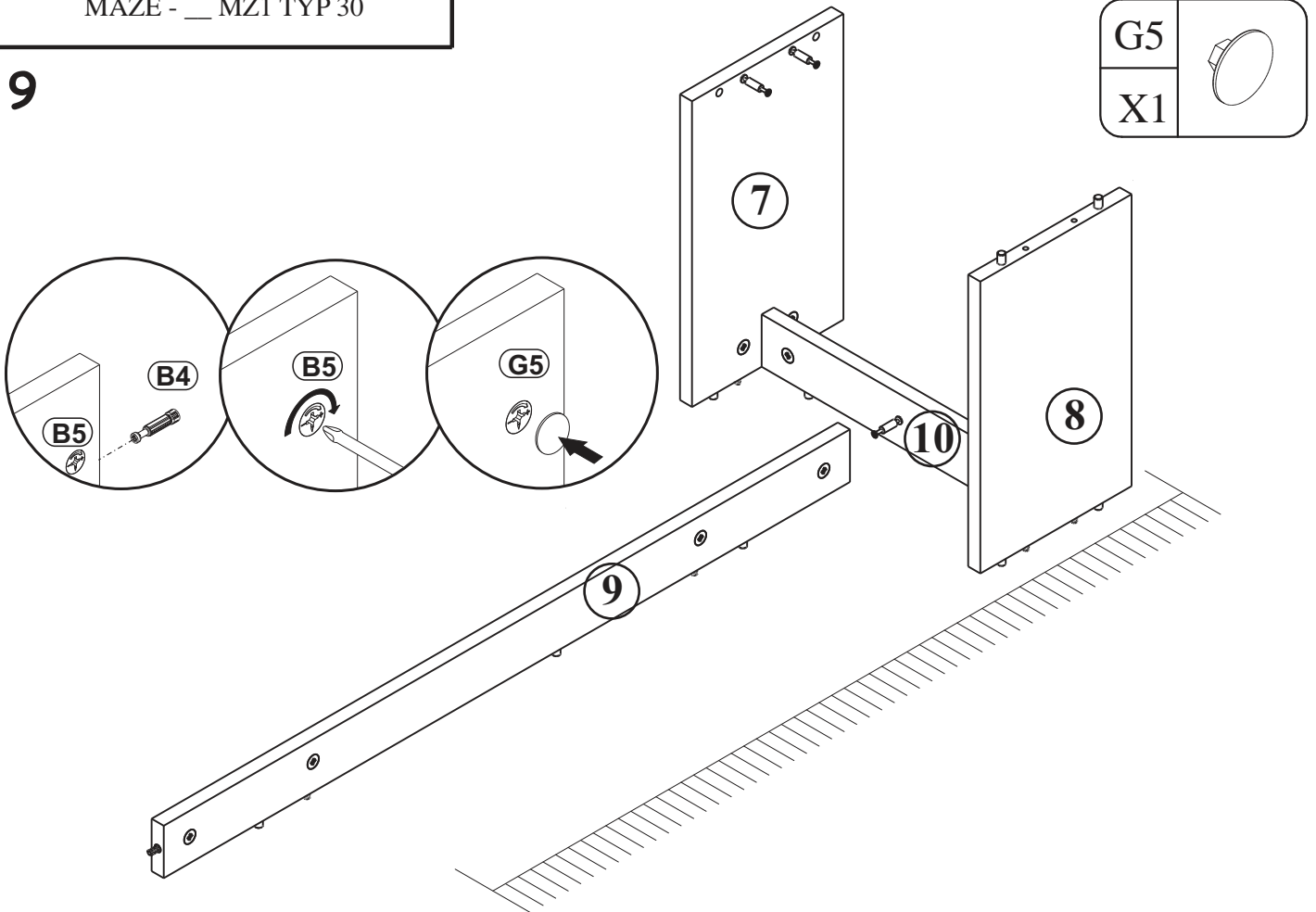
UP6	
X2	UPØ4x30

8

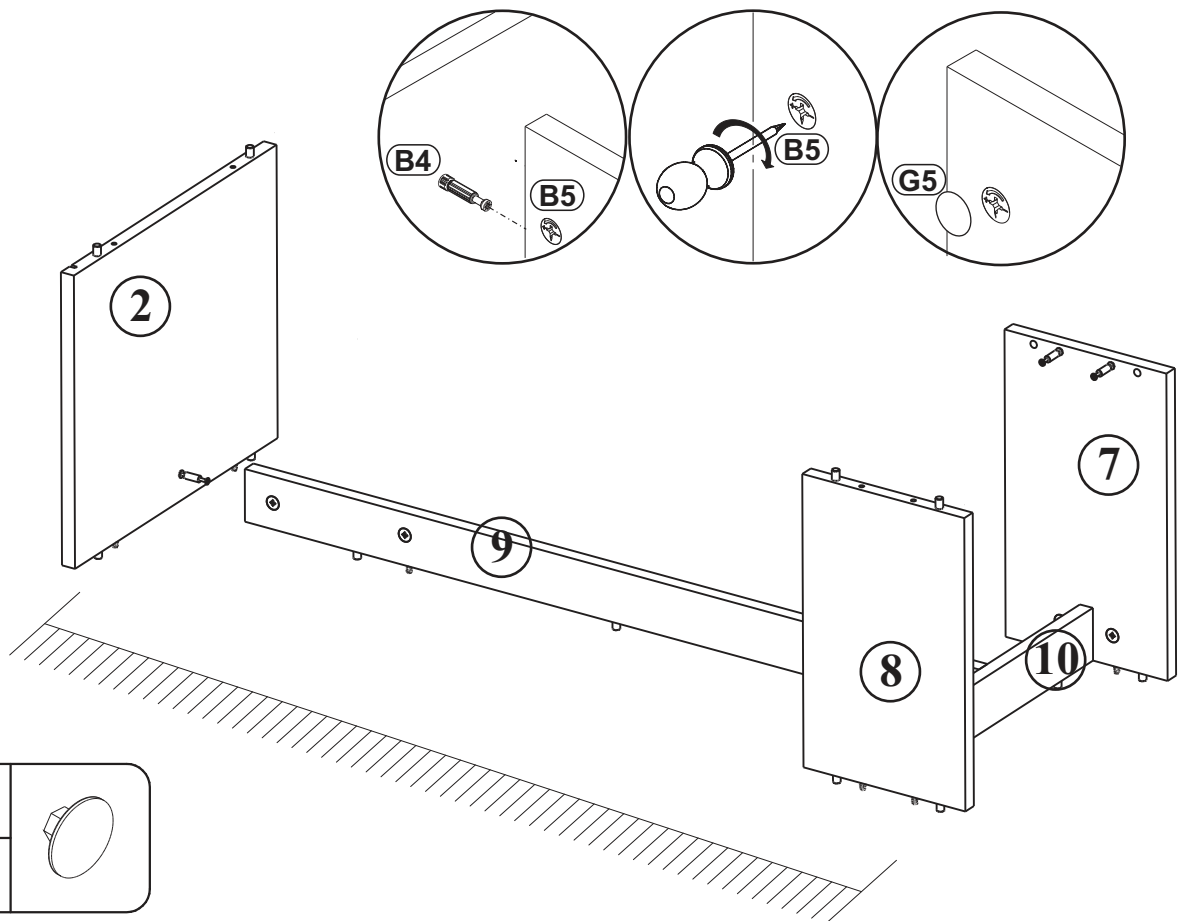
G5	
X2	



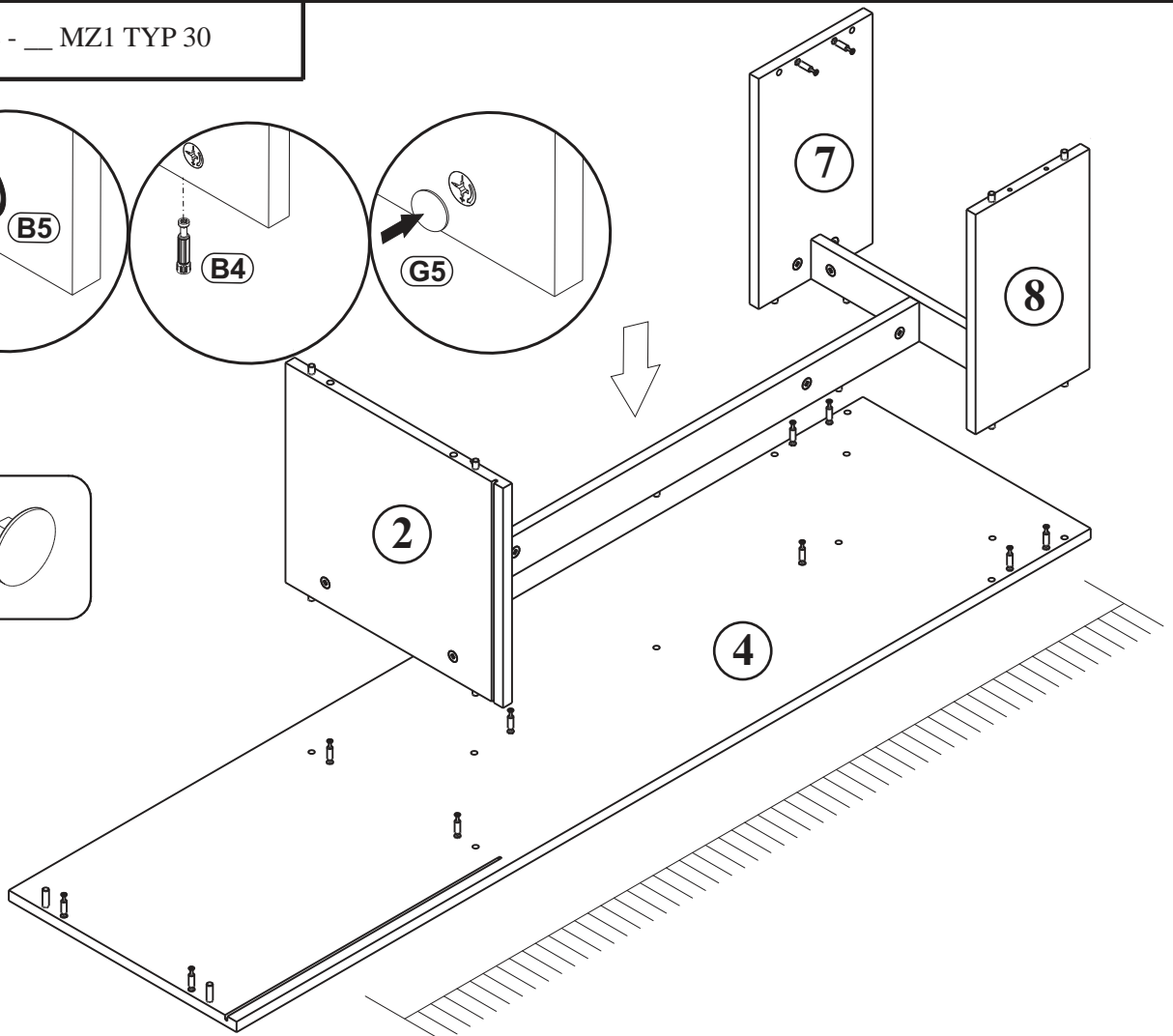
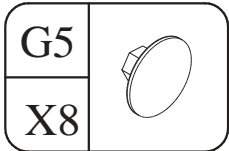
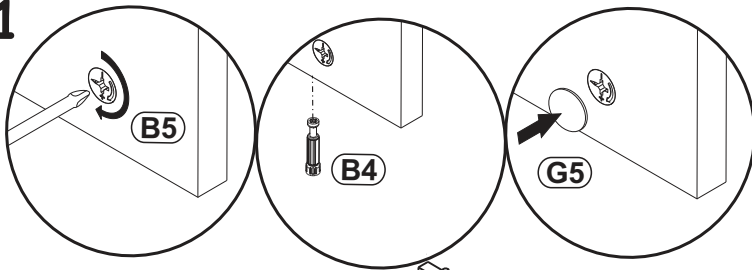
9



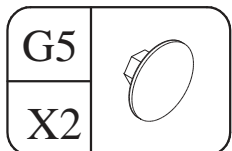
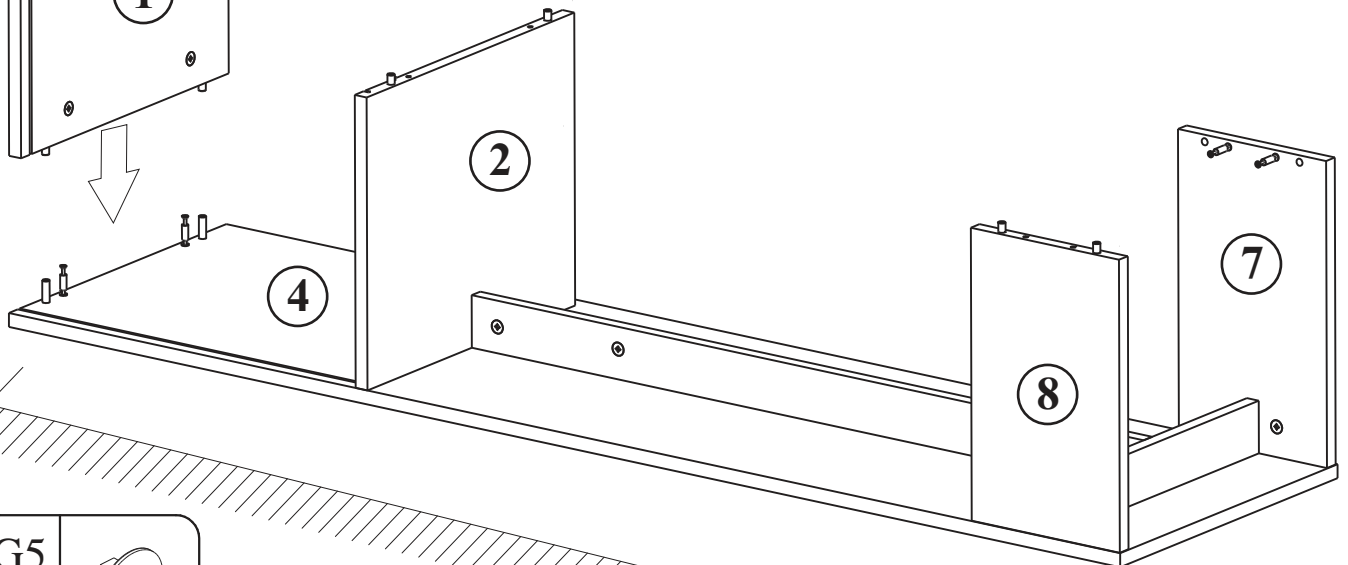
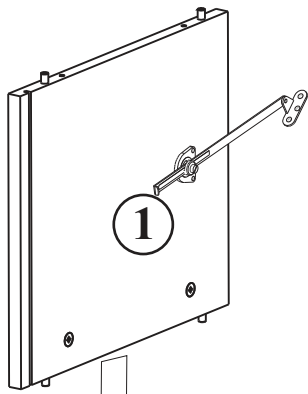
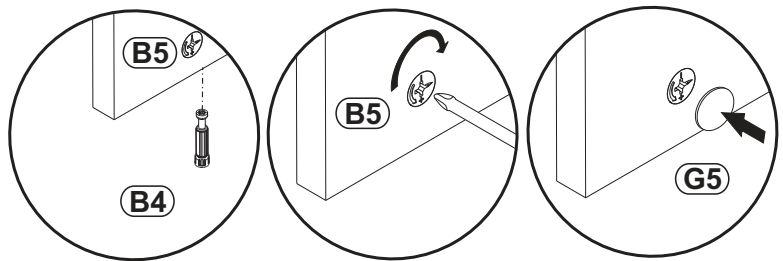
10



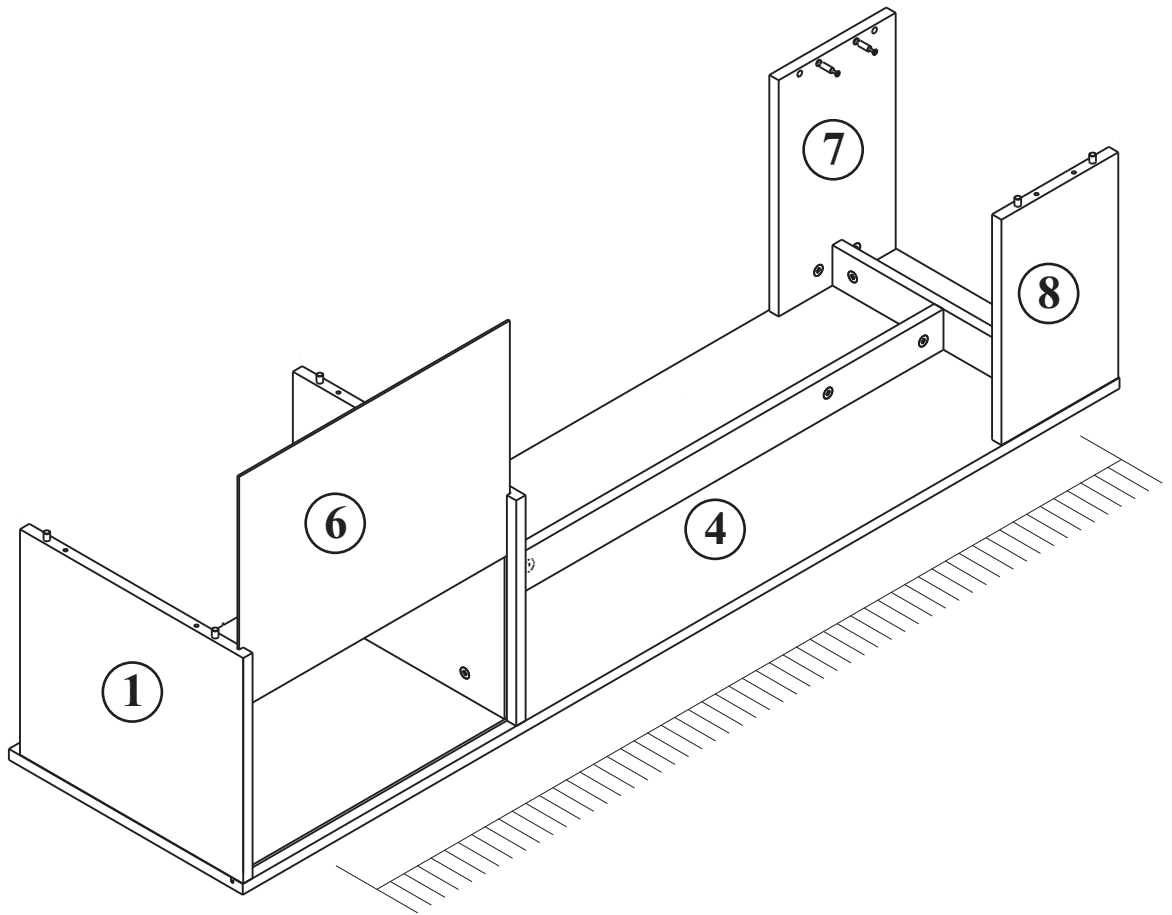
11



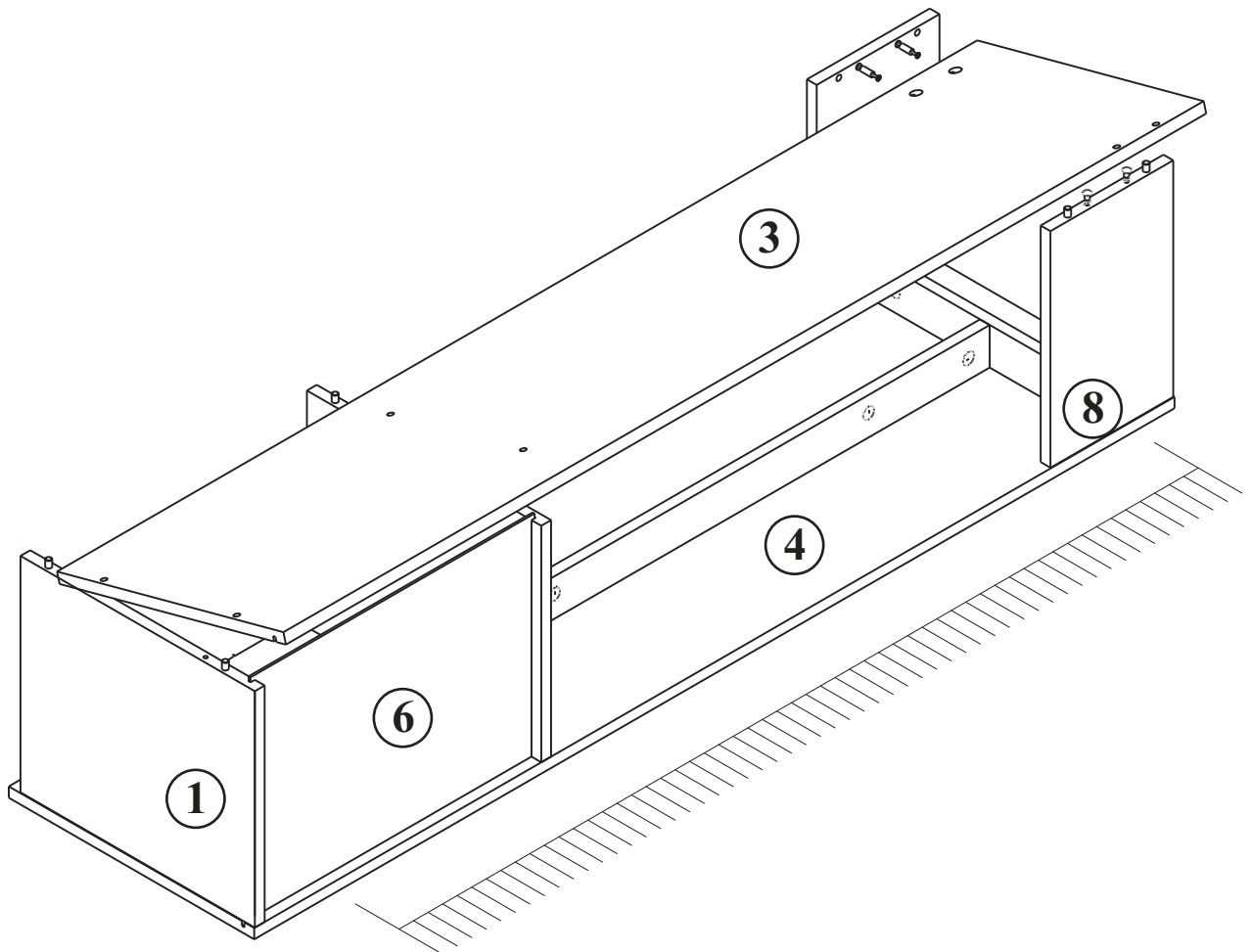
12



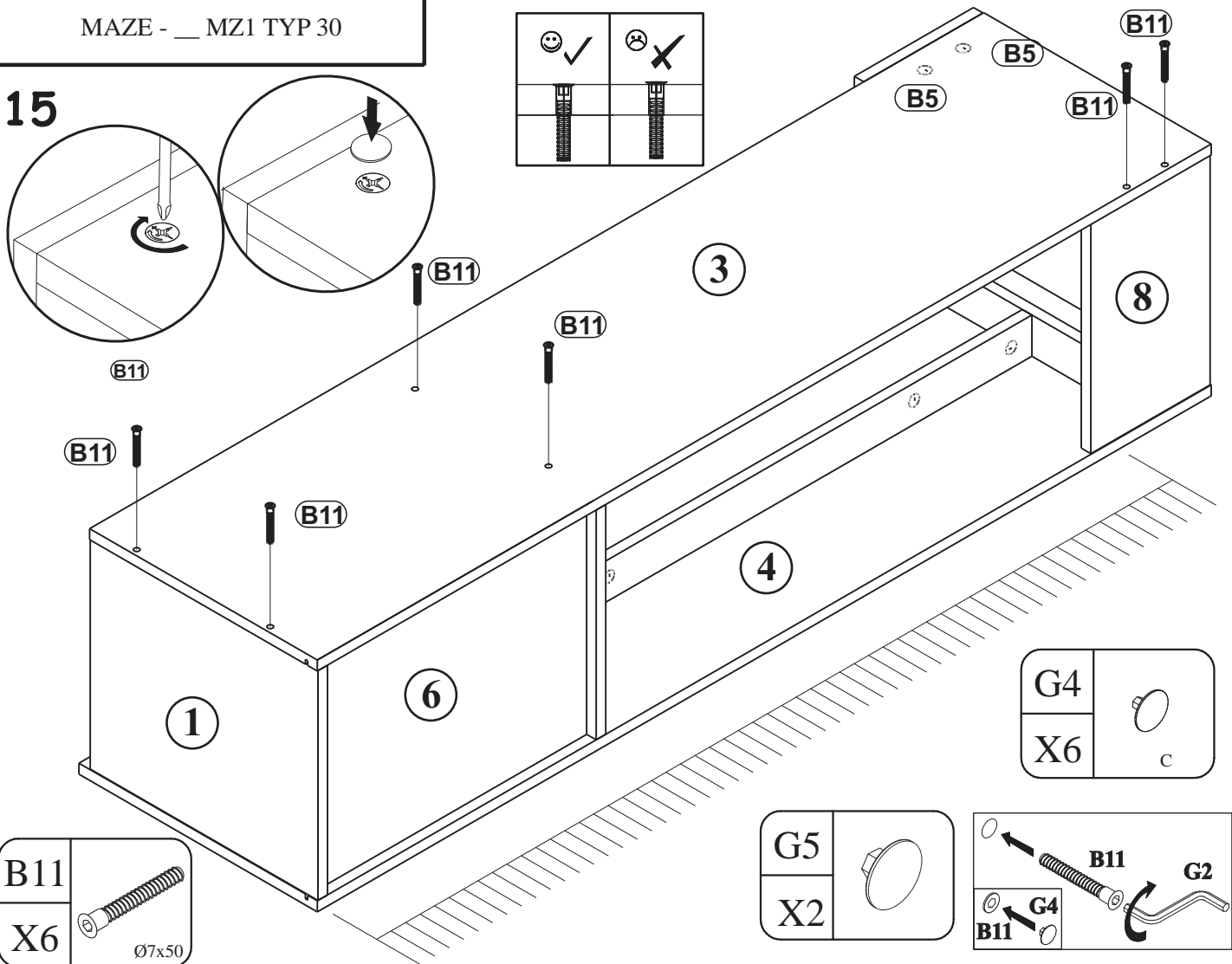
13



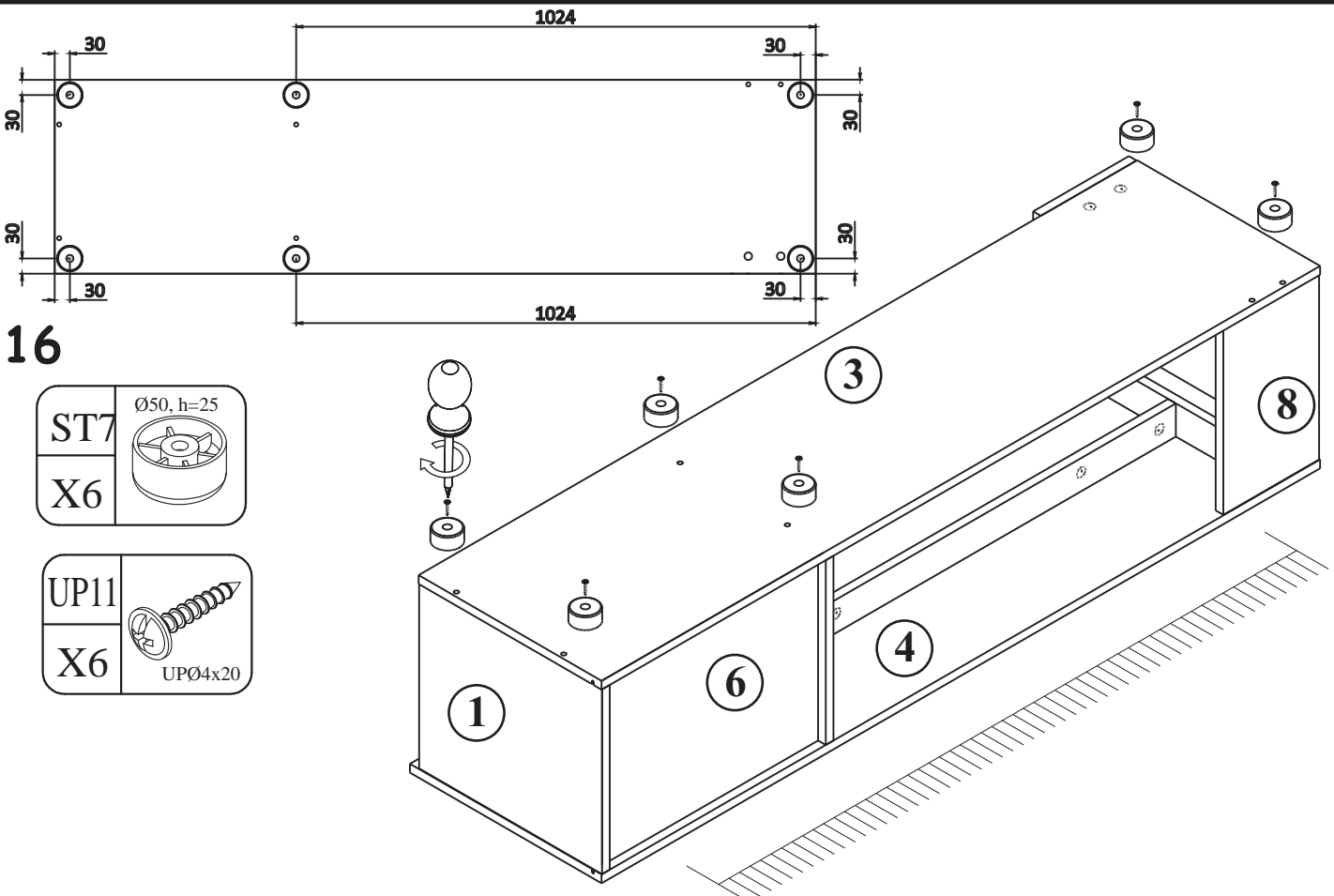
14



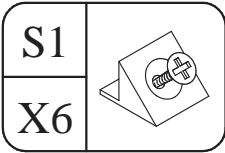
15



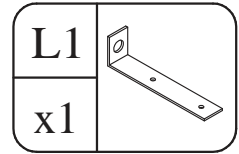
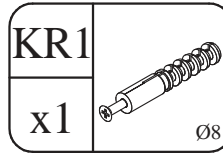
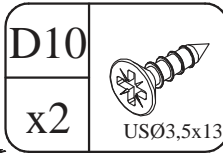
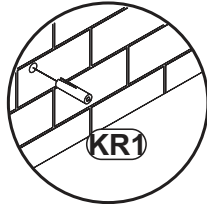
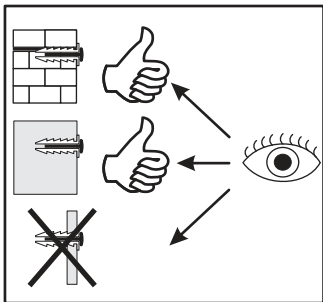
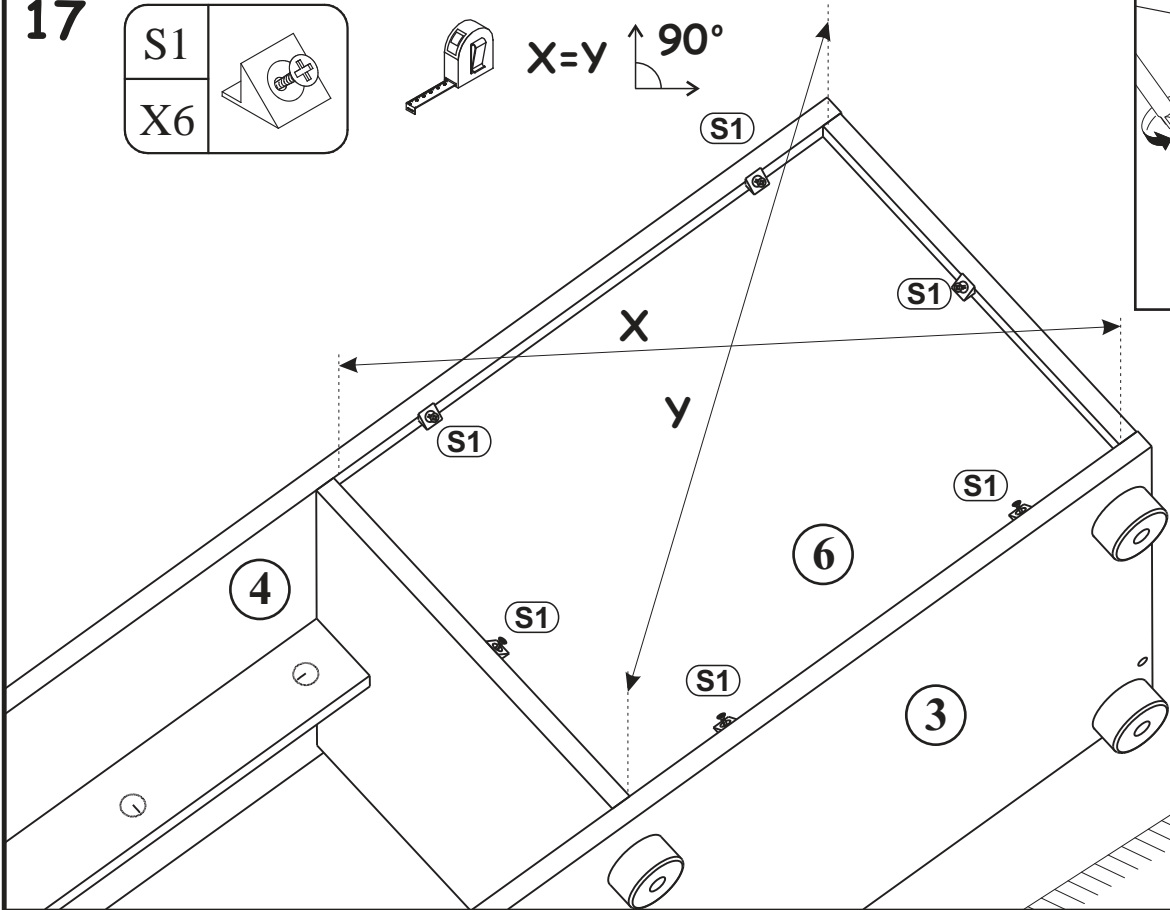
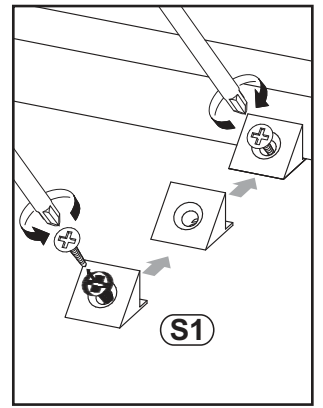
16



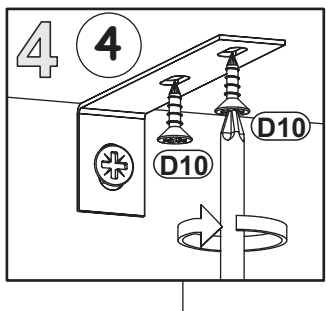
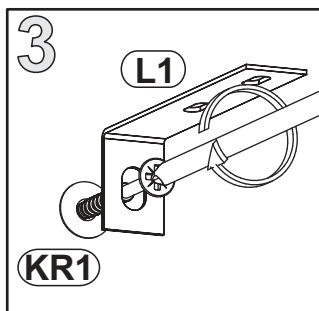
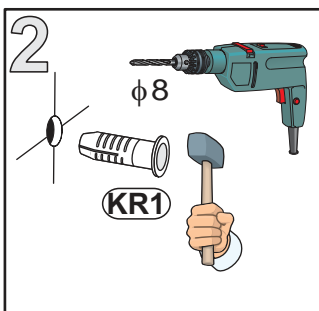
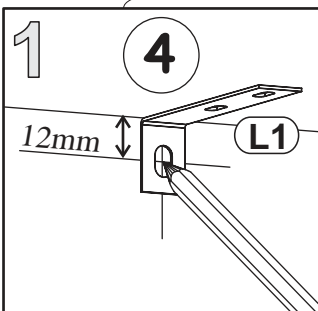
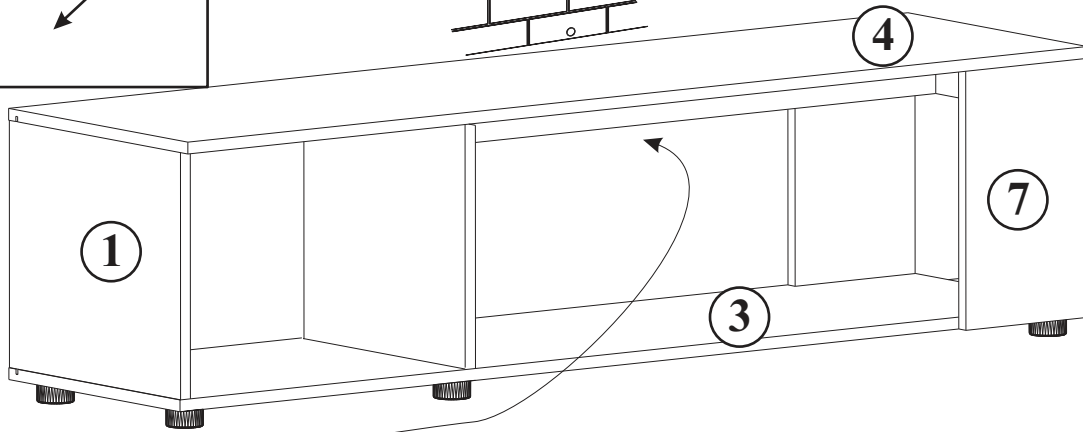
17



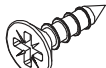
$X=Y$ 90°

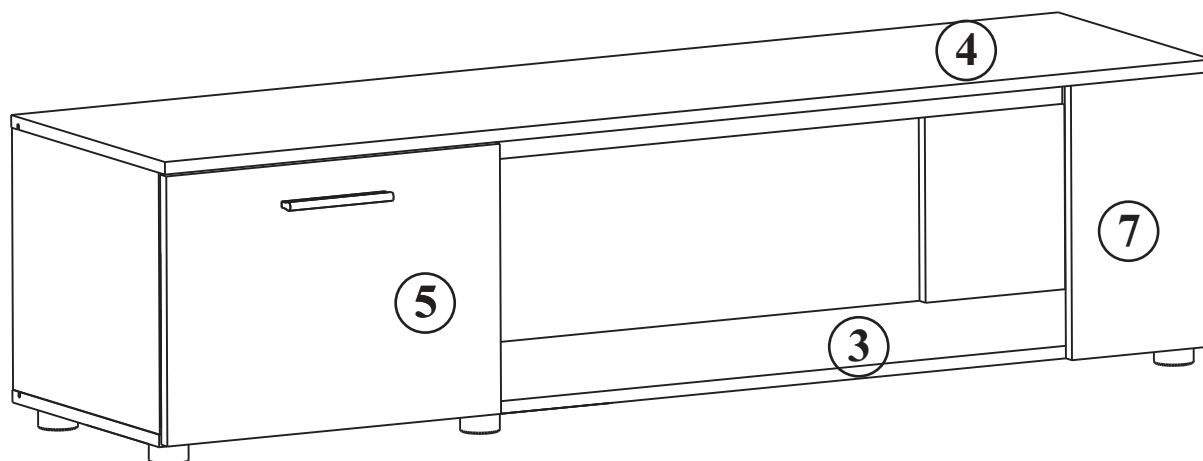
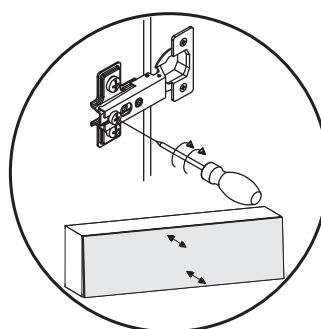
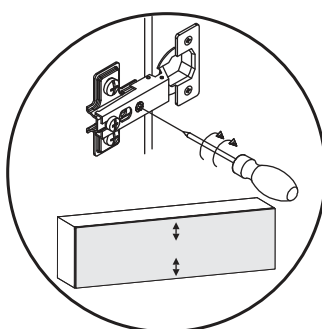
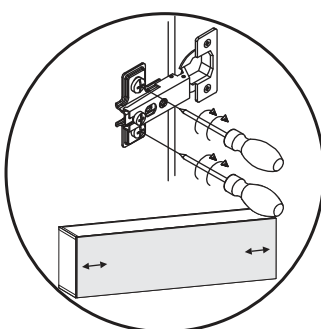
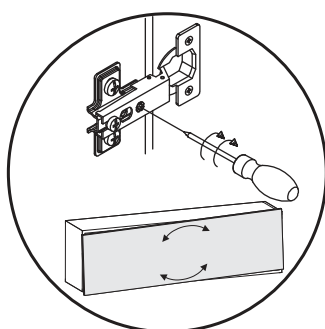
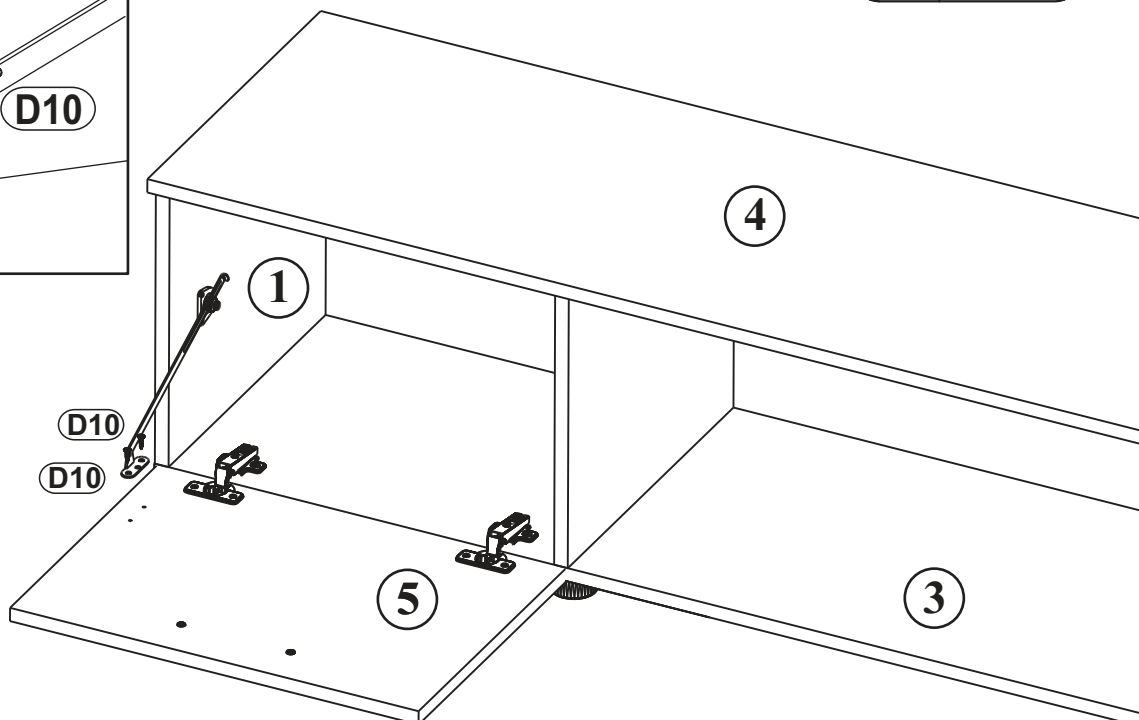
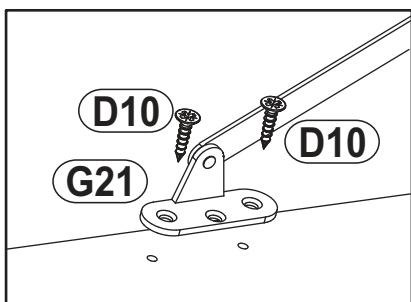


18

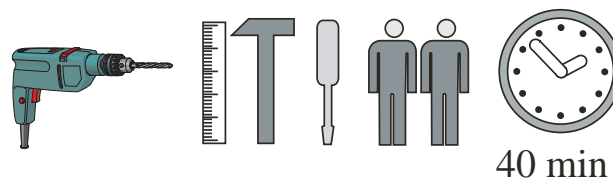
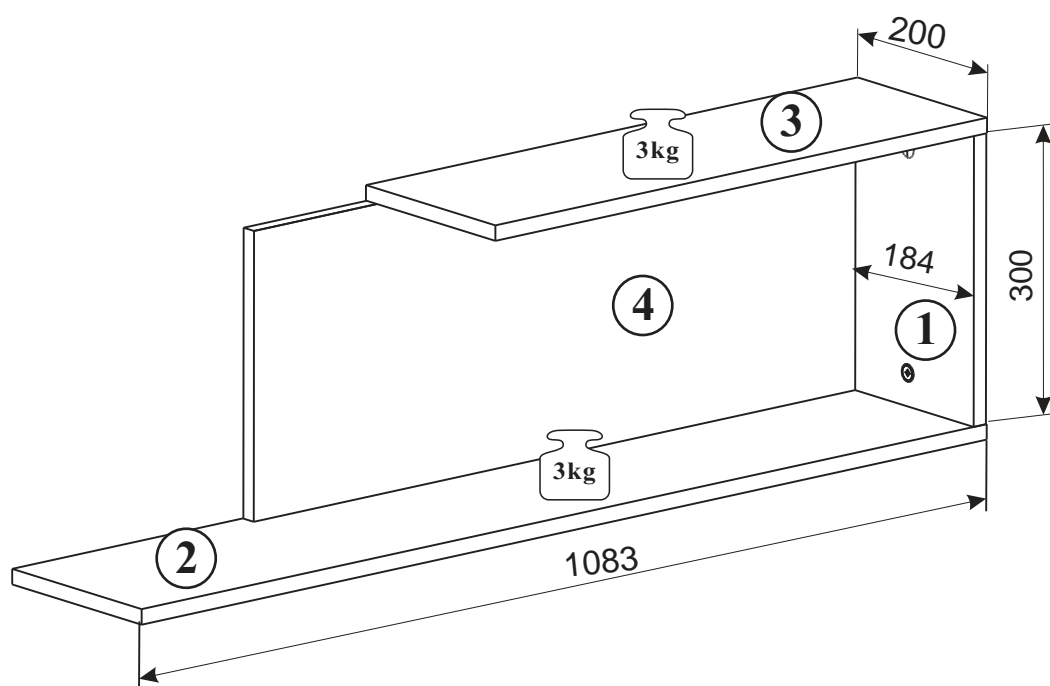
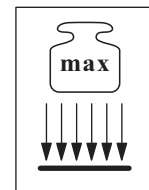


19

D10	 USØ3,5x13
X2	



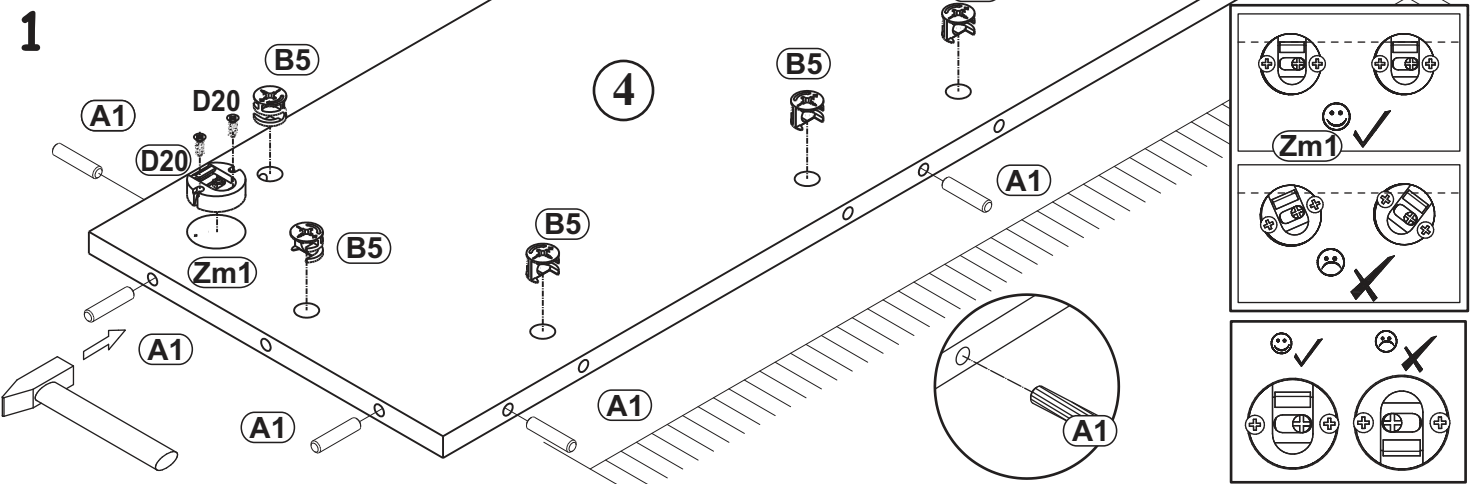
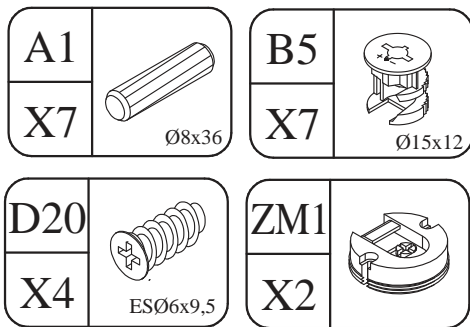
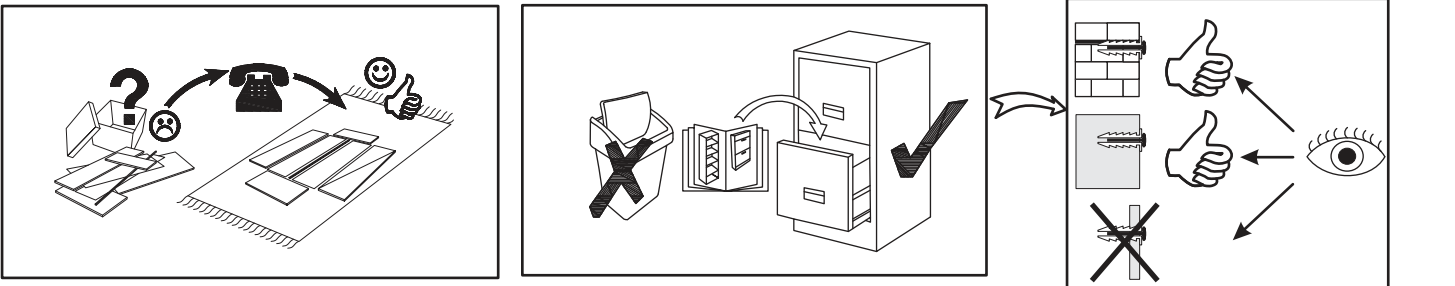
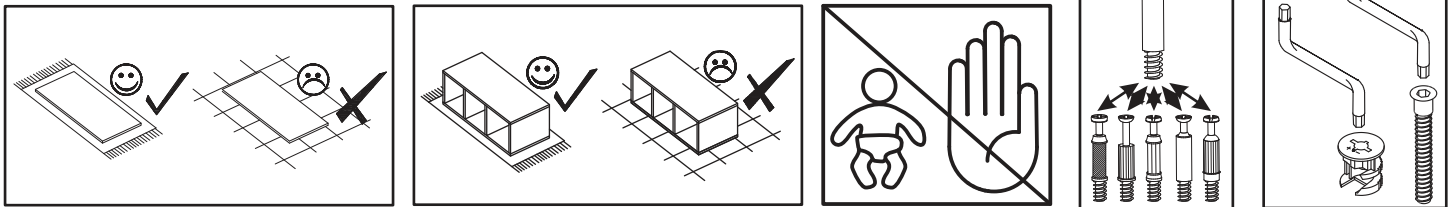
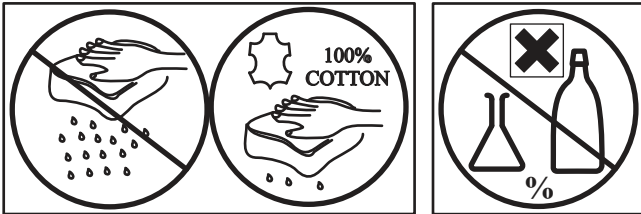
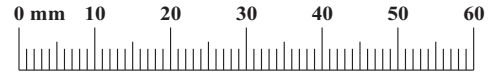
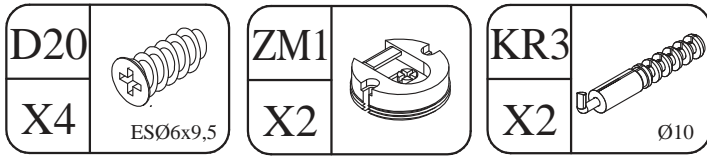
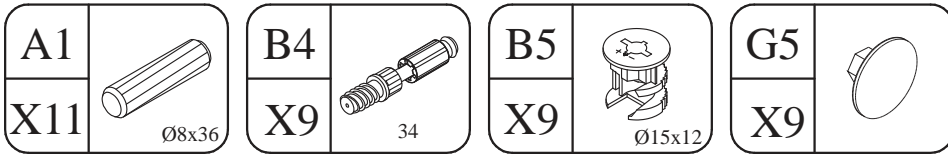
MAZE - __MZ1-2 TYP 70



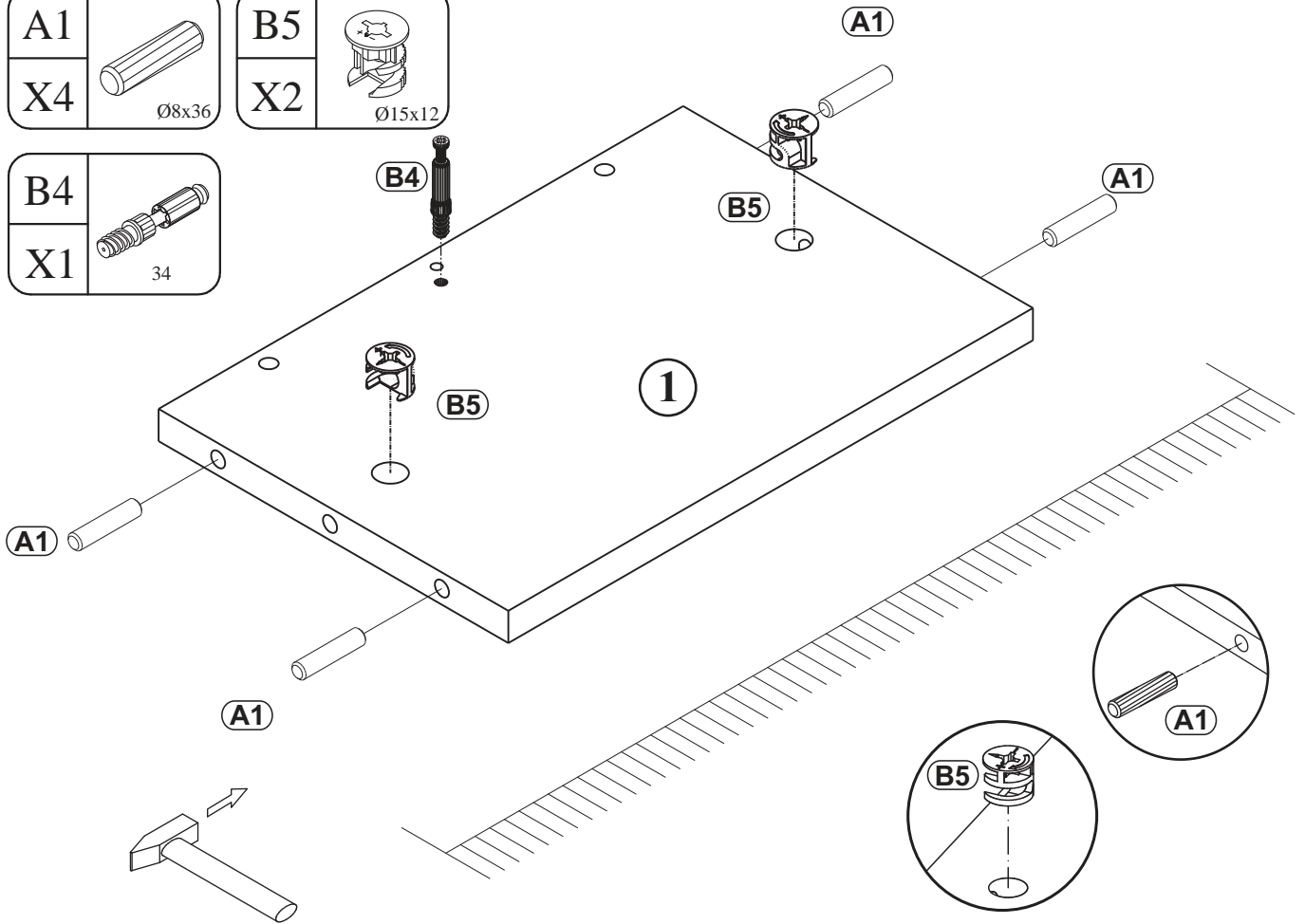
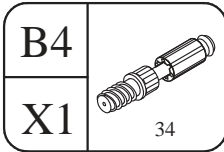
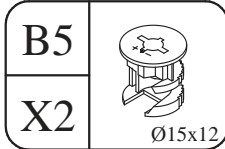
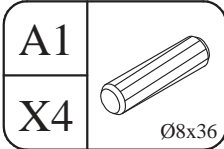
40 min

NO	DIM.			COL.-NO	QTY
1	300	200	16	1/1	1
2	1100	200	16	1/1	1
3	640	200	16	1/1	1
4	783	300	16	1/1	1

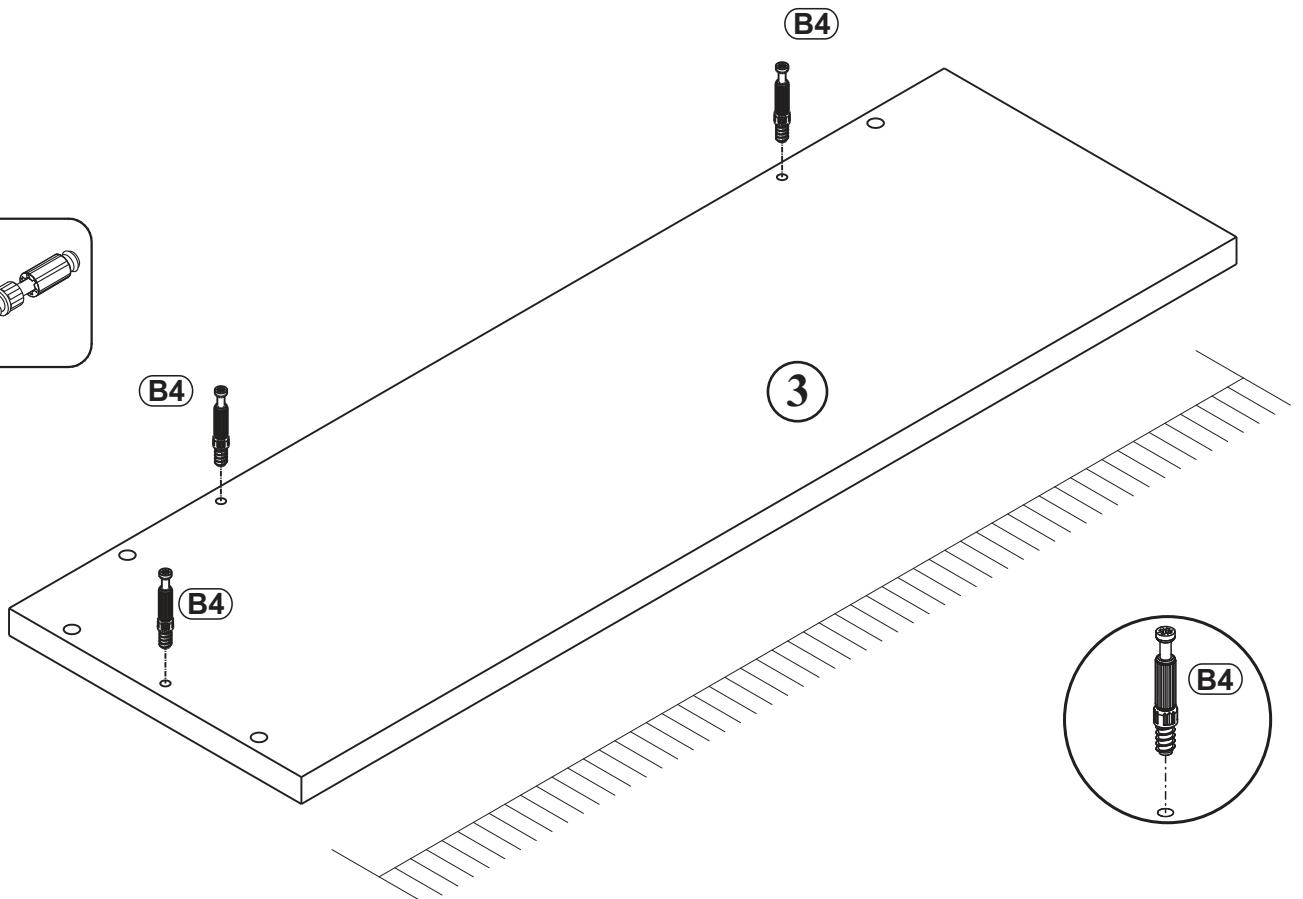
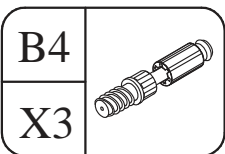
MAZE - __MZ1-2 TYP 70



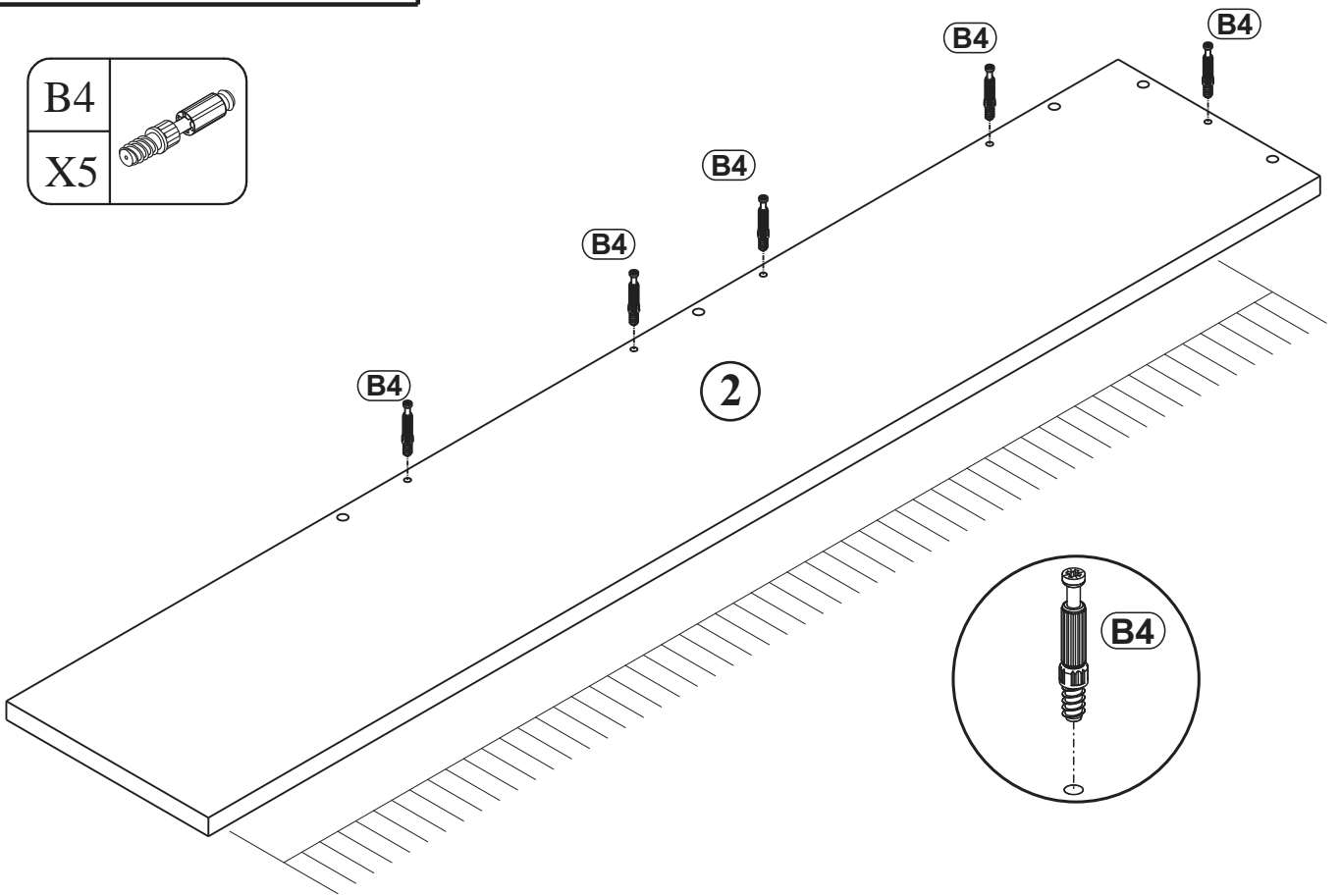
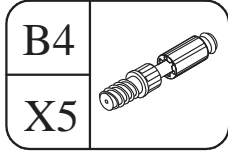
2



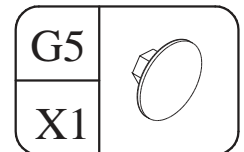
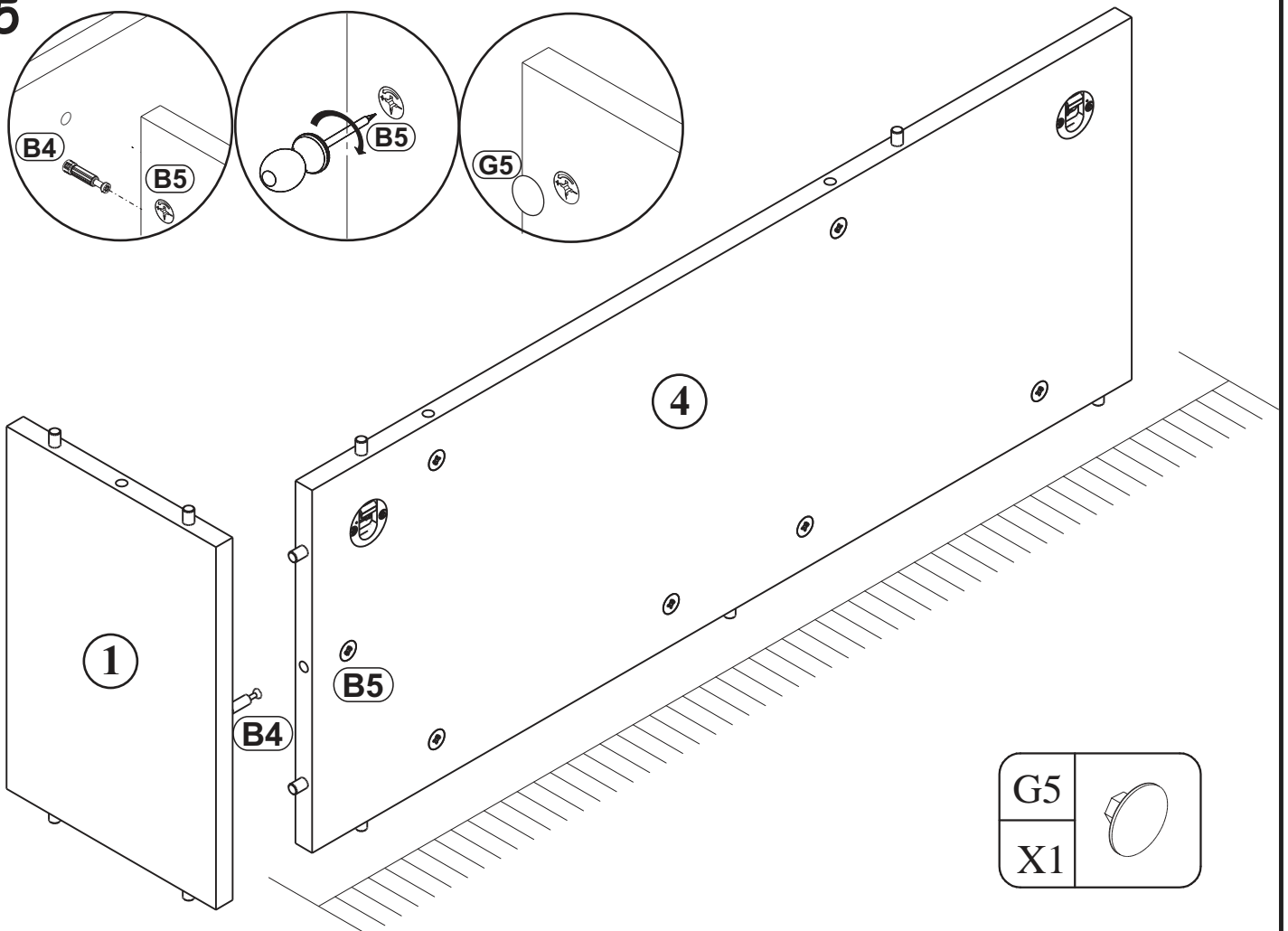
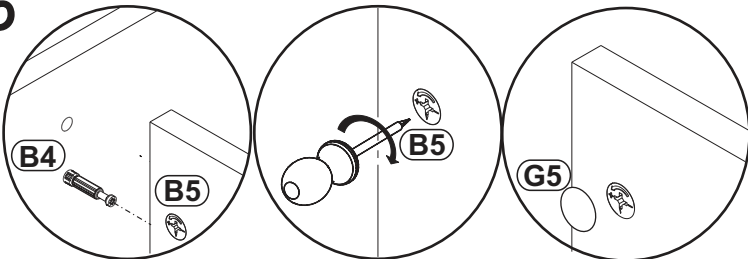
3



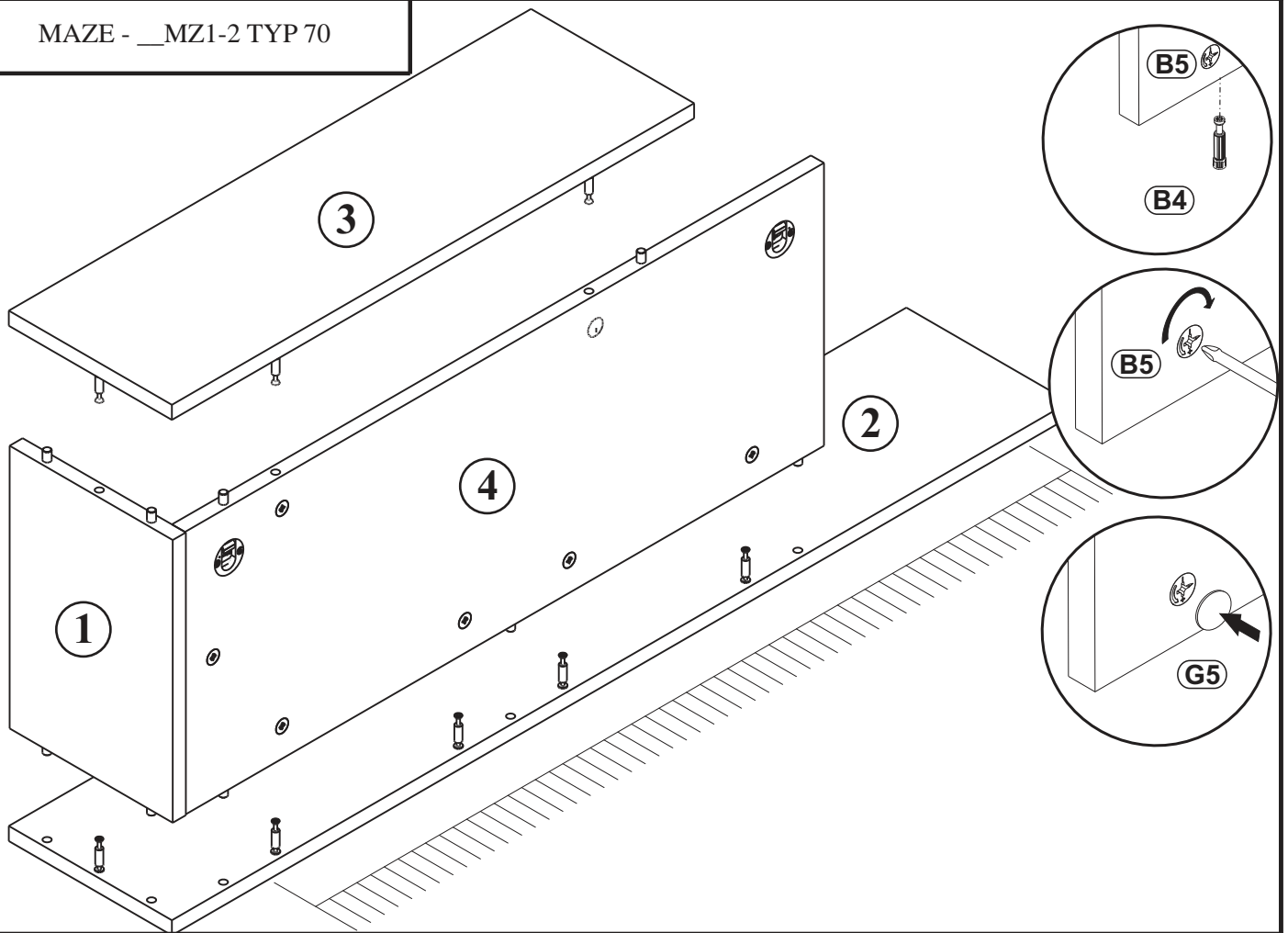
4



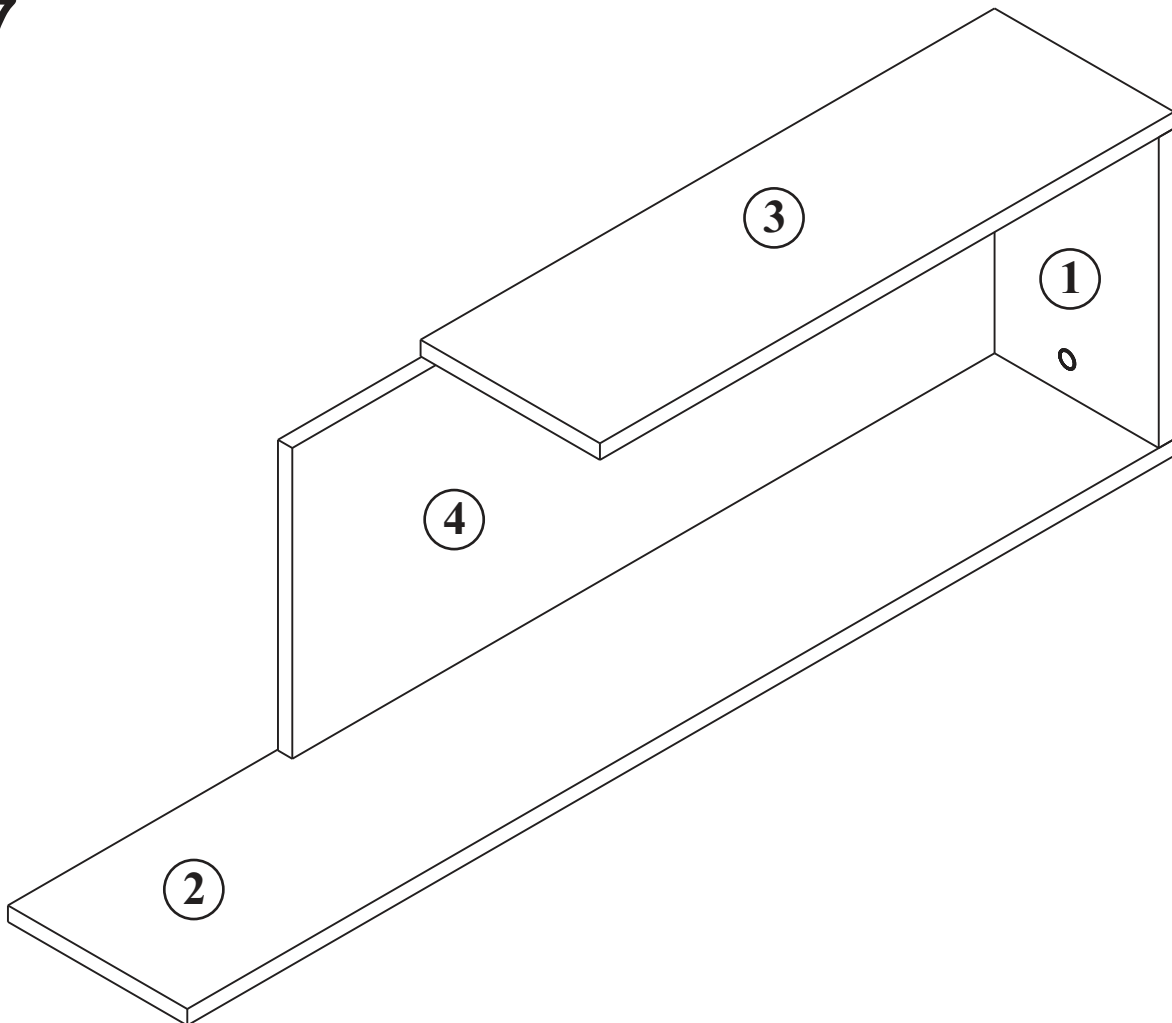
5



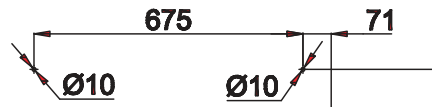
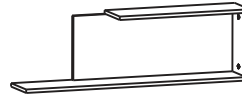
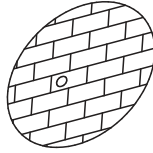
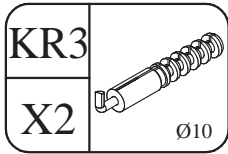
6



7

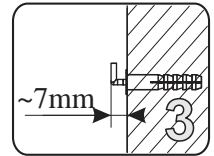
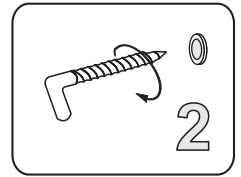
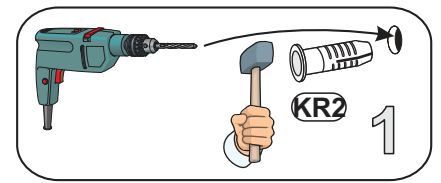


8a

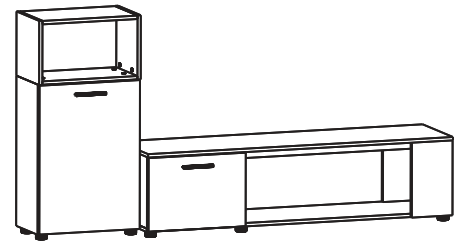
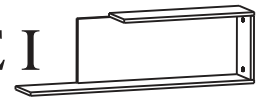


MAZE 1

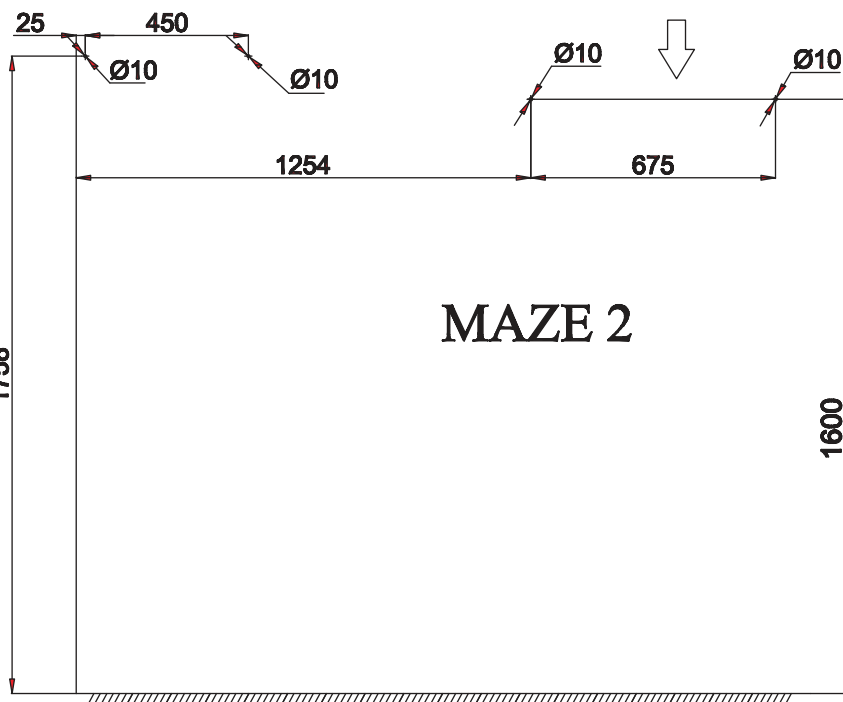
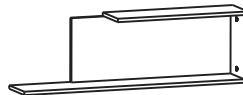
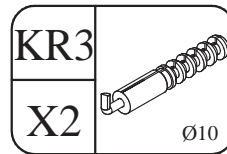
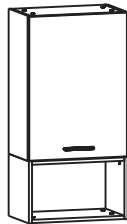
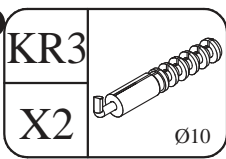
1600



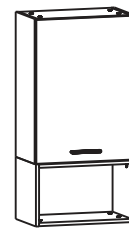
MAZE I



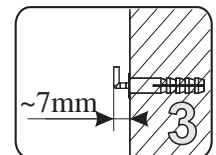
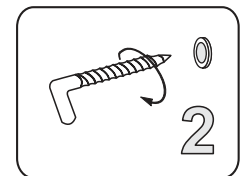
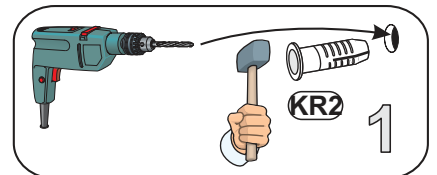
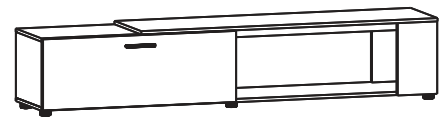
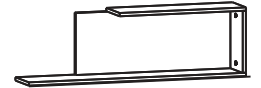
8b



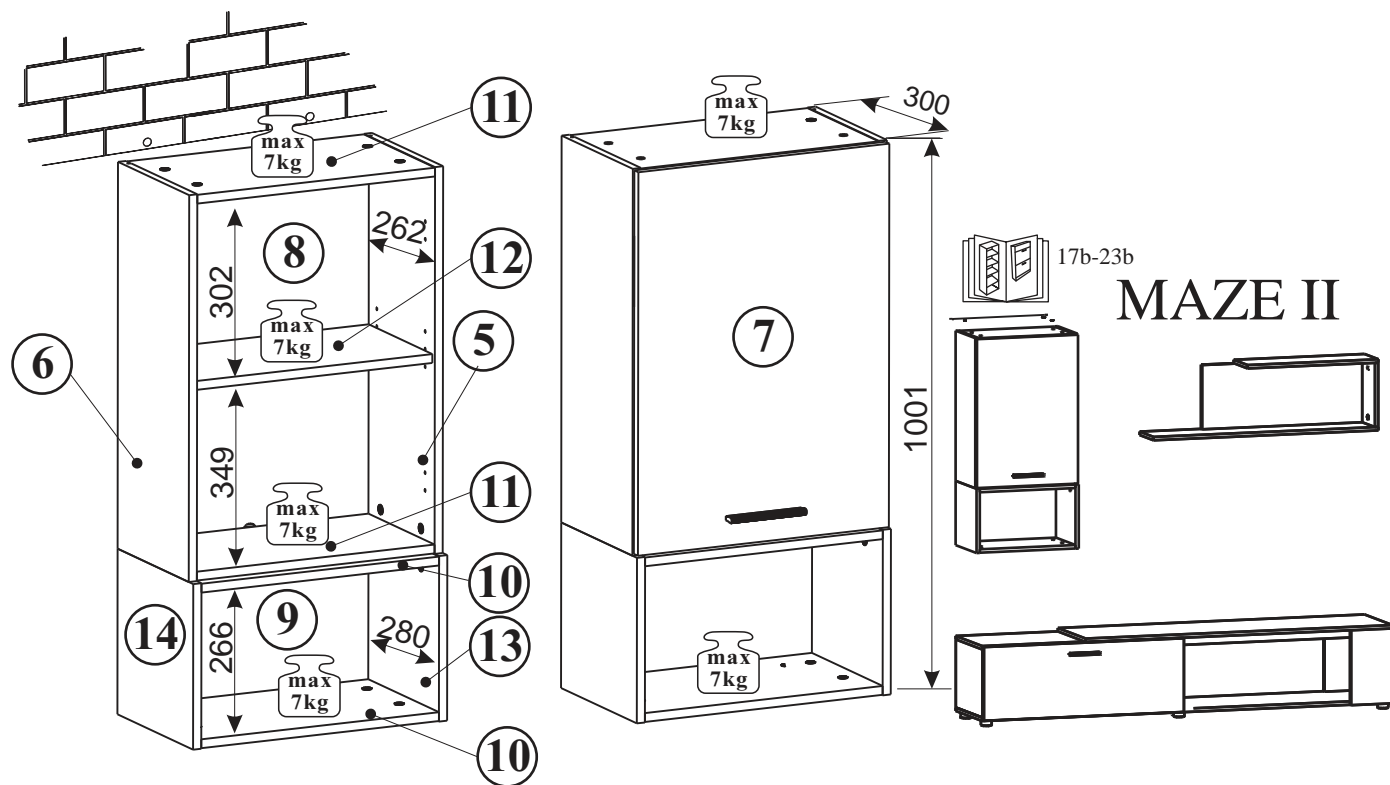
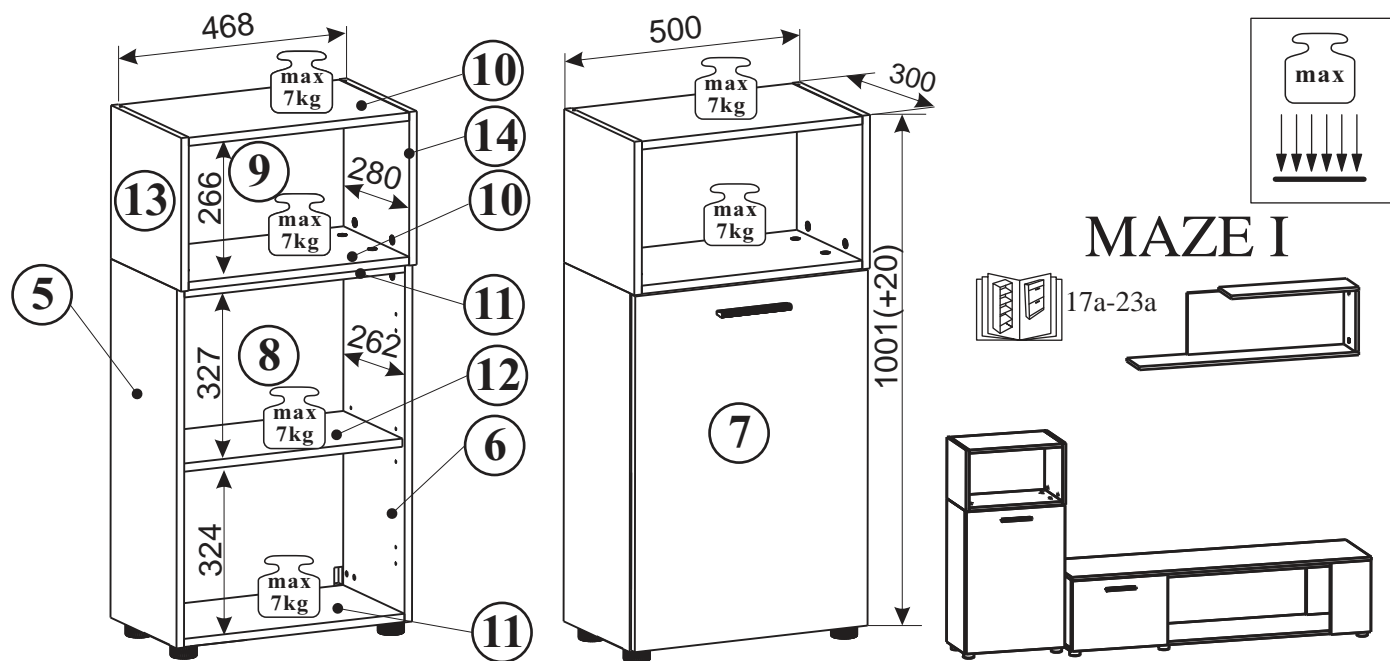
MAZE 2



MAZE II

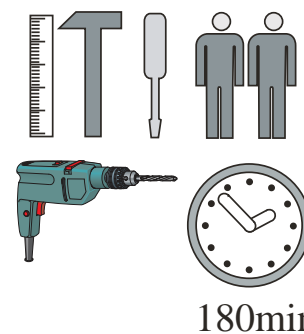


MAZE - __ MZ1-2 TYP 40



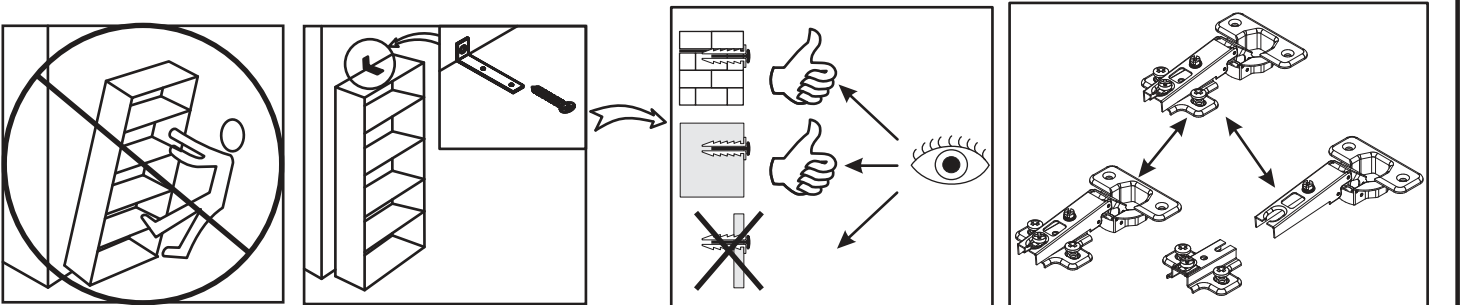
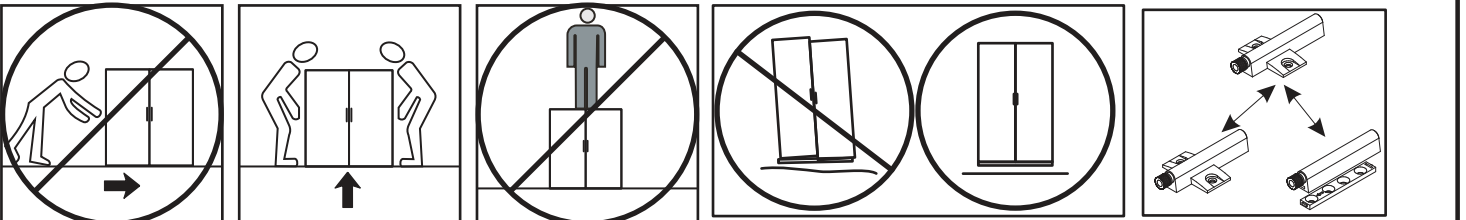
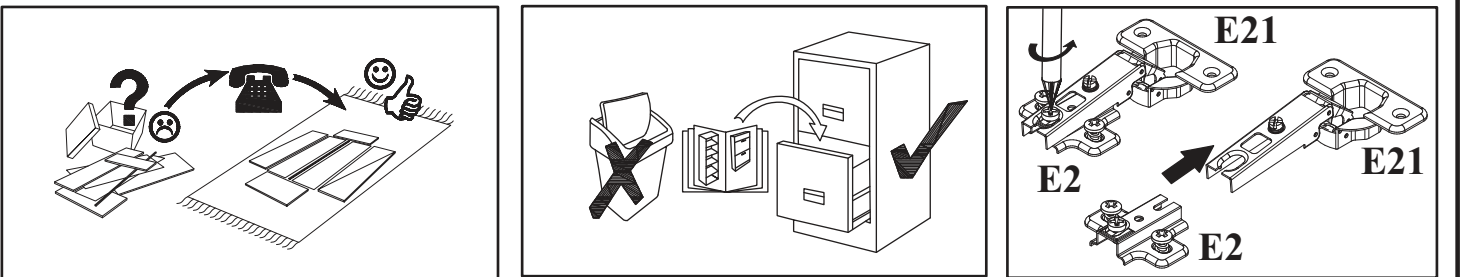
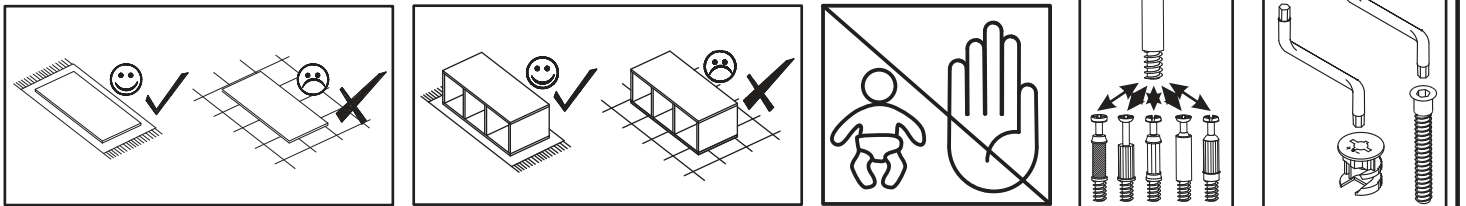
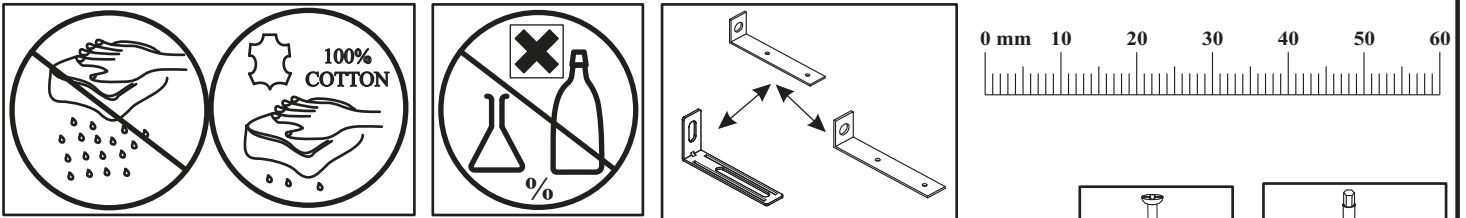
NO	DIM.		COL.-NO	QTY	
5	701	282	16	1/1	1
6	701	282	16	1/1	1
7	695	494	16	1/1	1
8	679	480	3	1/1	1
9	480	278	3	1/1	1

NO	DIM.		COL.-NO	QTY	
10	468	300	16	1/1	2
11	468	282	16	1/1	2
12	468	252	16	1/1	1
13	300	300	16	1/1	1
14	300	300	16	1/1	1

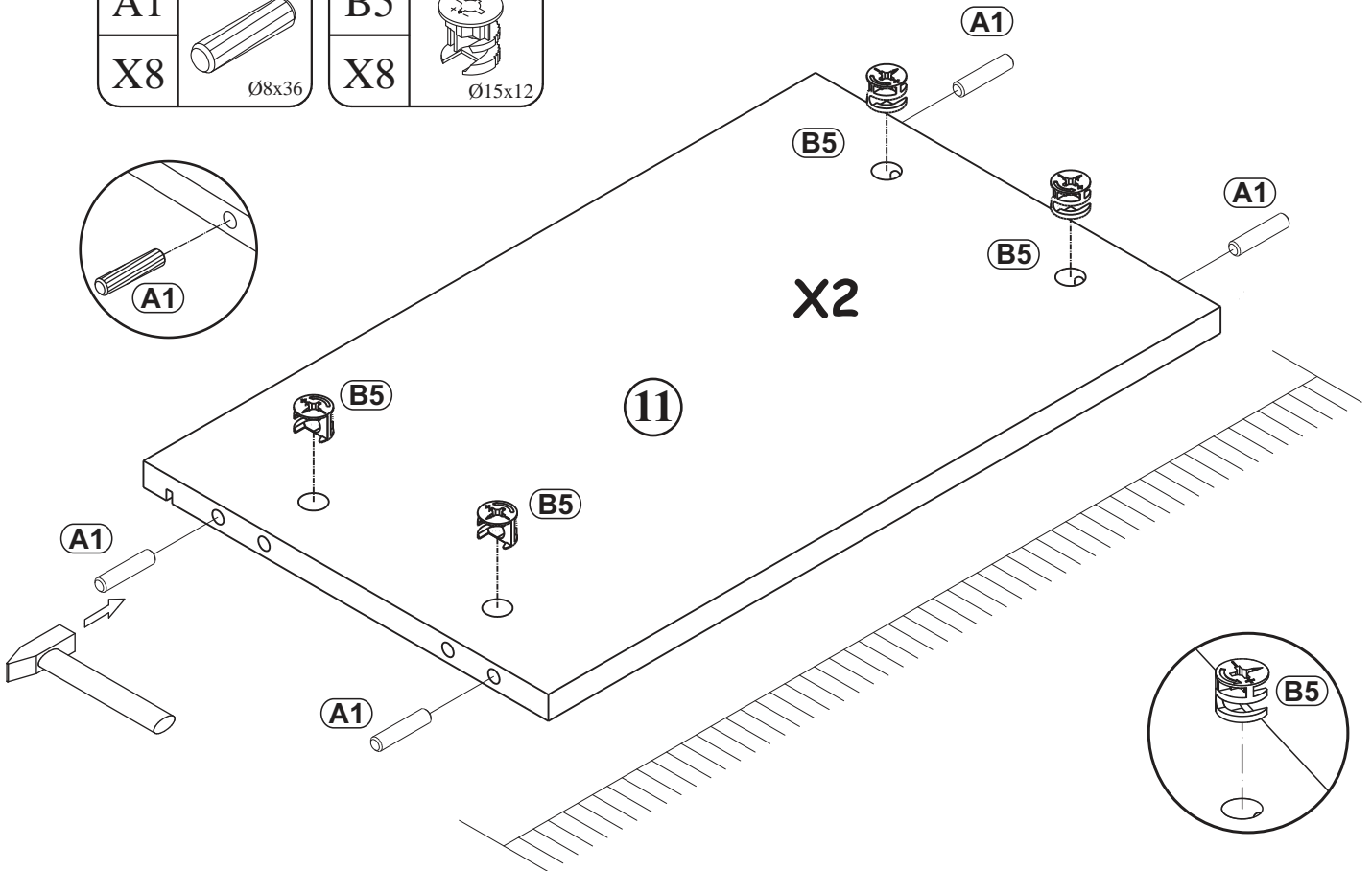
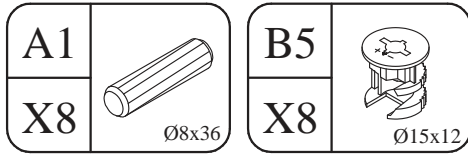


180min

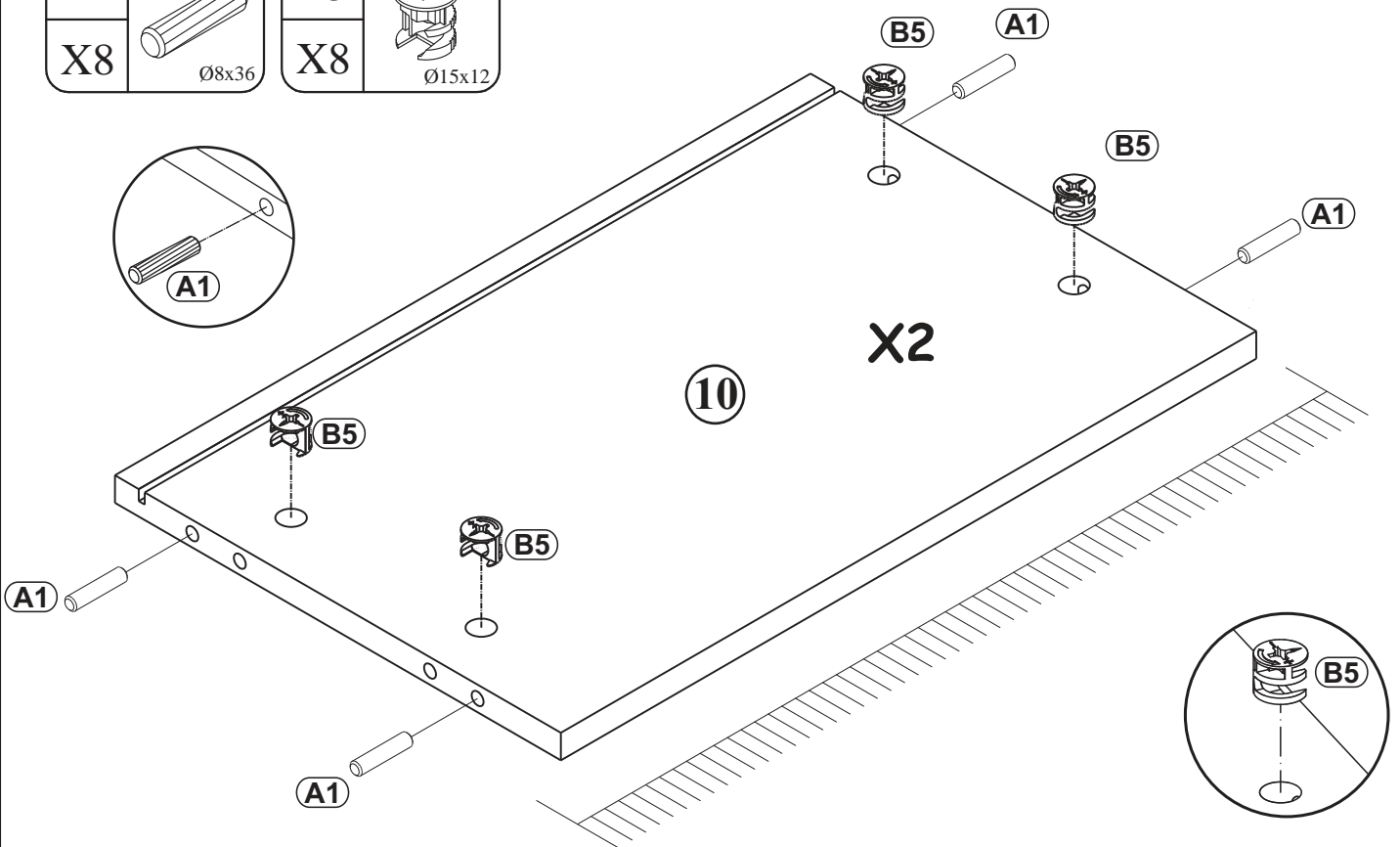
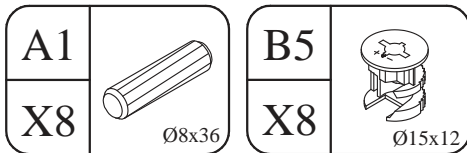
A1 X16 Ø8x36	B4 X16 34	B5 X24 Ø15x12	G5 X24	B2 X4 Ø7x62	L1 x1
A3 X4 Ø8x47	KL X1 L-128mm.	UP6 X2 UPØ4x30	S1 X12	Z5 X4 Ø10	KR3 X2 Ø10
ST7 X4 Ø50, h=25	UP11 X4 UPØ4x20	D10 x6 USØ3,5x13	E21 x2 Ø35 H=0	E2 x2 H=0	G2 x1
Z2 X6 Ø5	G7 X4	ZXL x1	ZXP x1	D6 X4 USØ3,5x30	



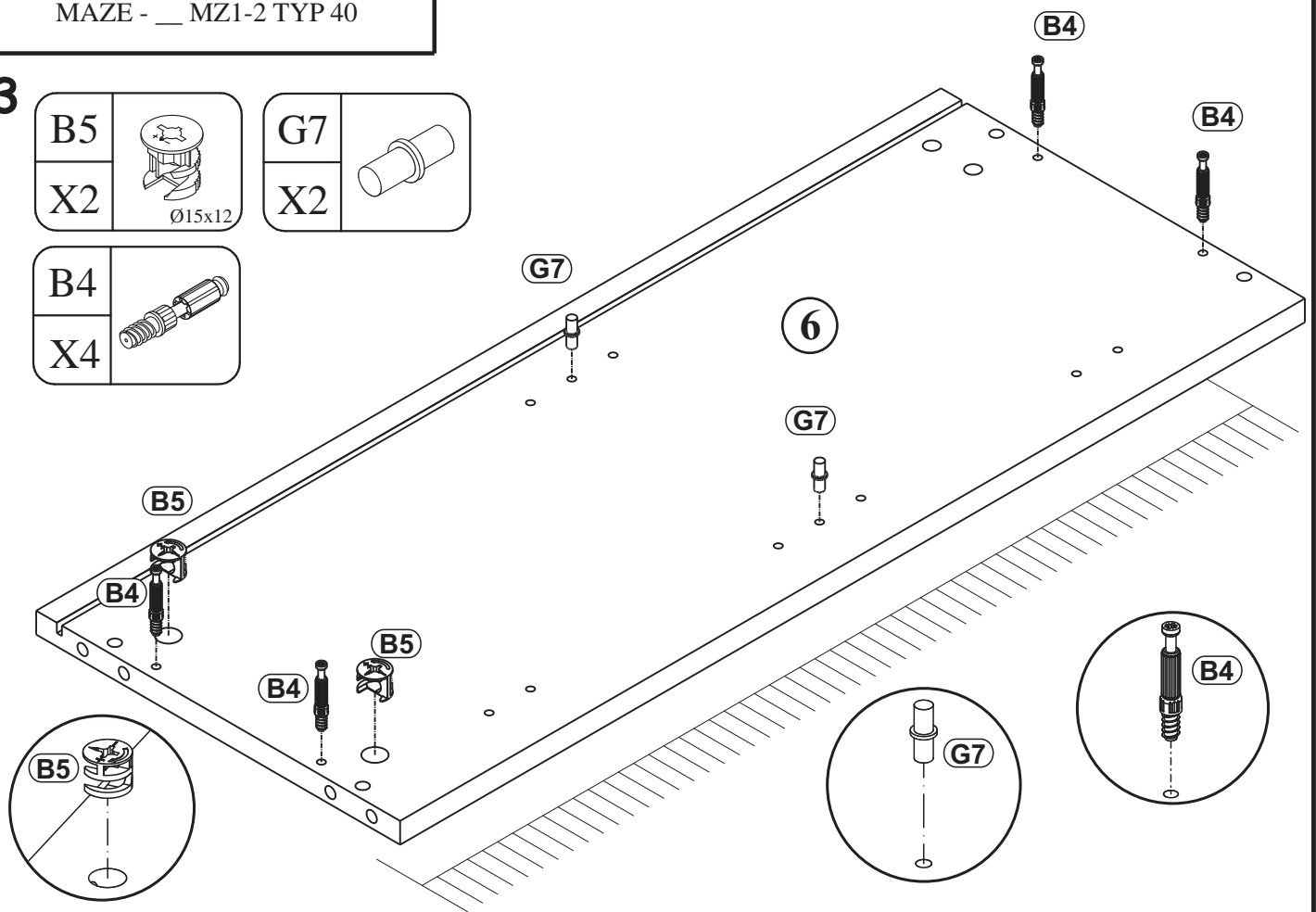
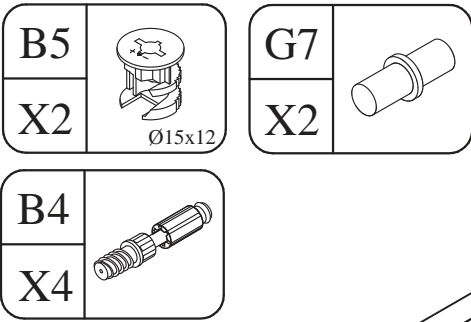
1



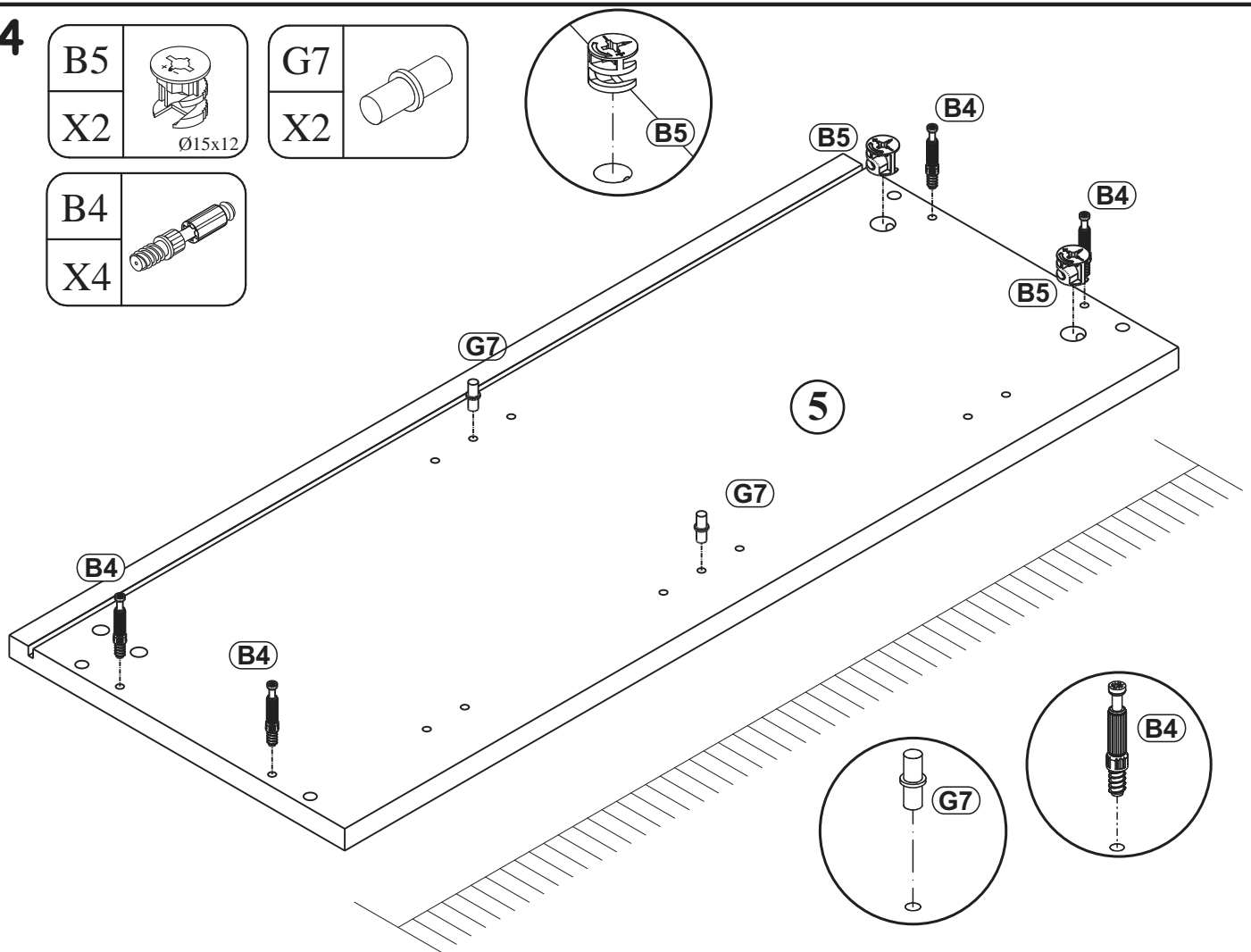
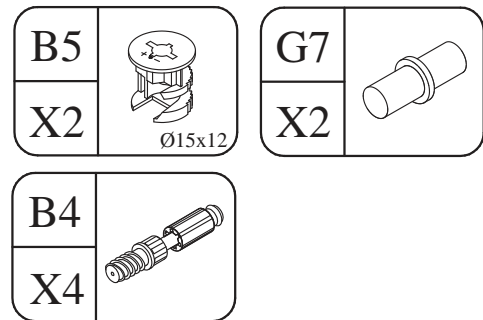
2




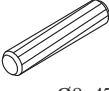
3

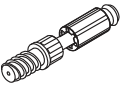


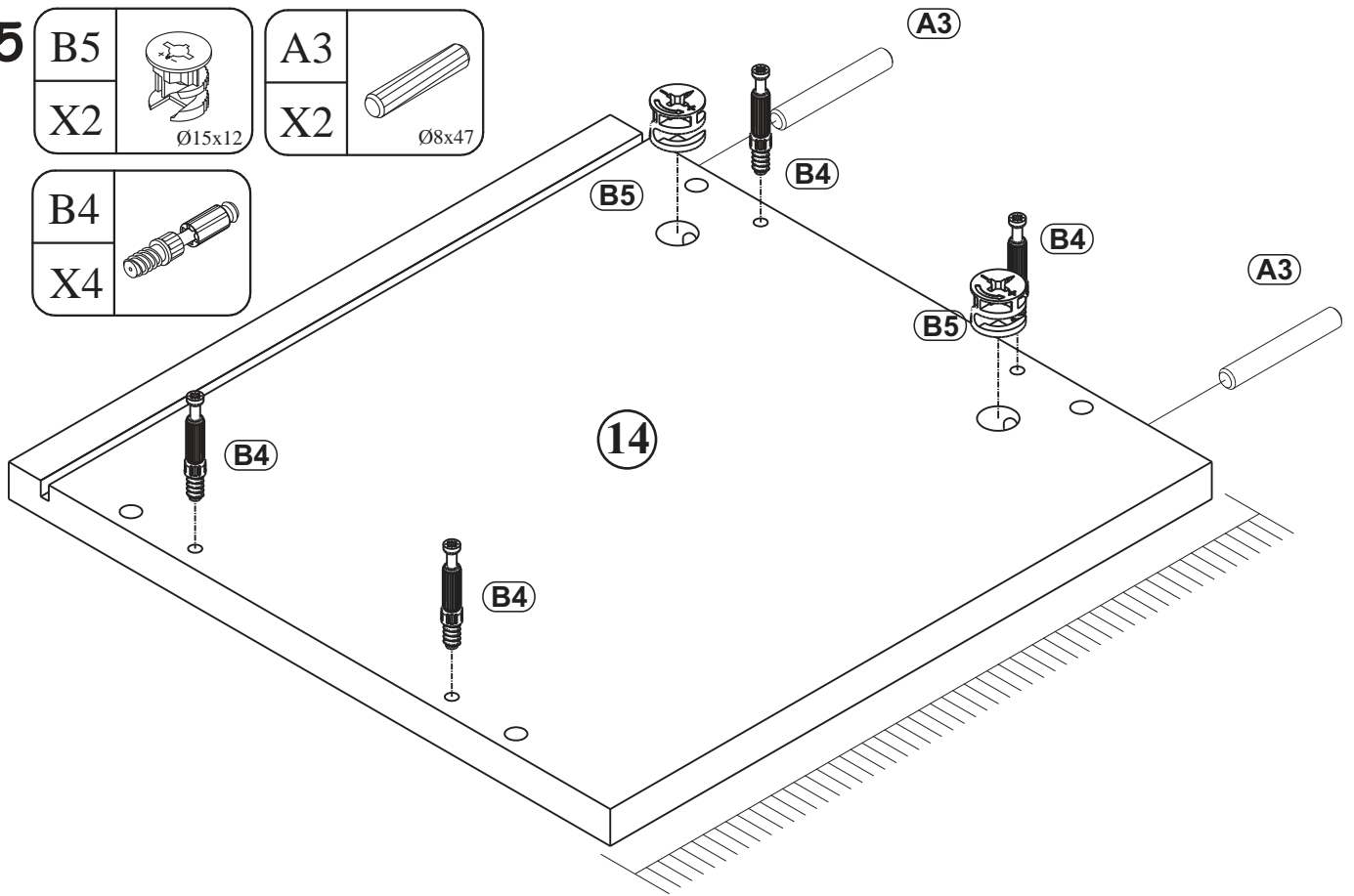
4




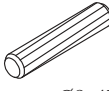
5

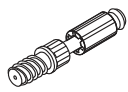
B5		A3	
X2	Ø15x12	X2	Ø8x47

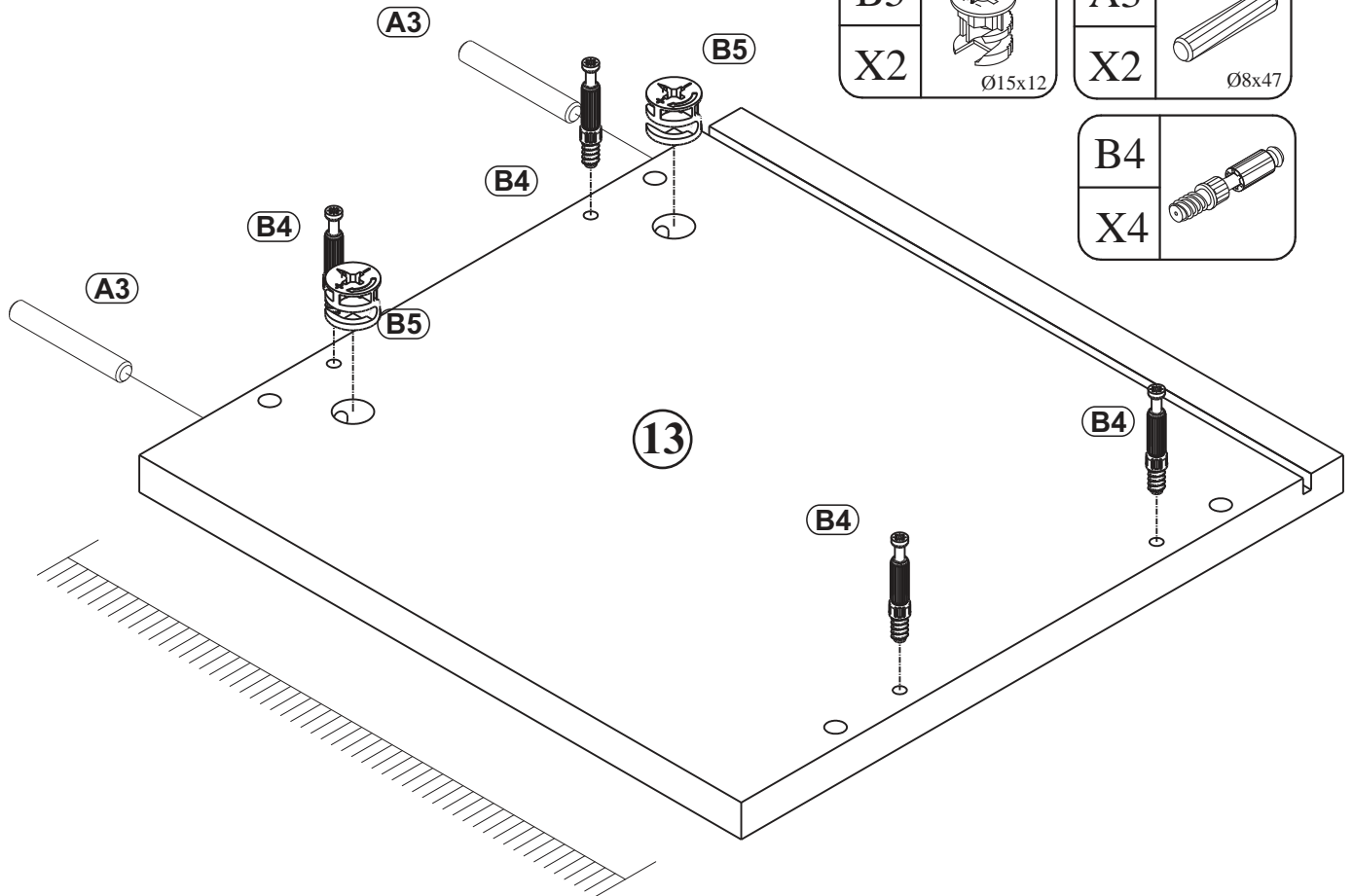
B4	
X4	



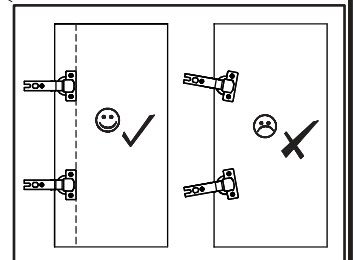
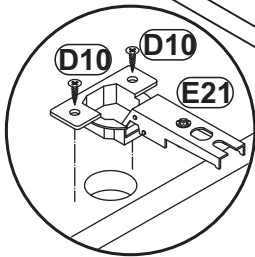
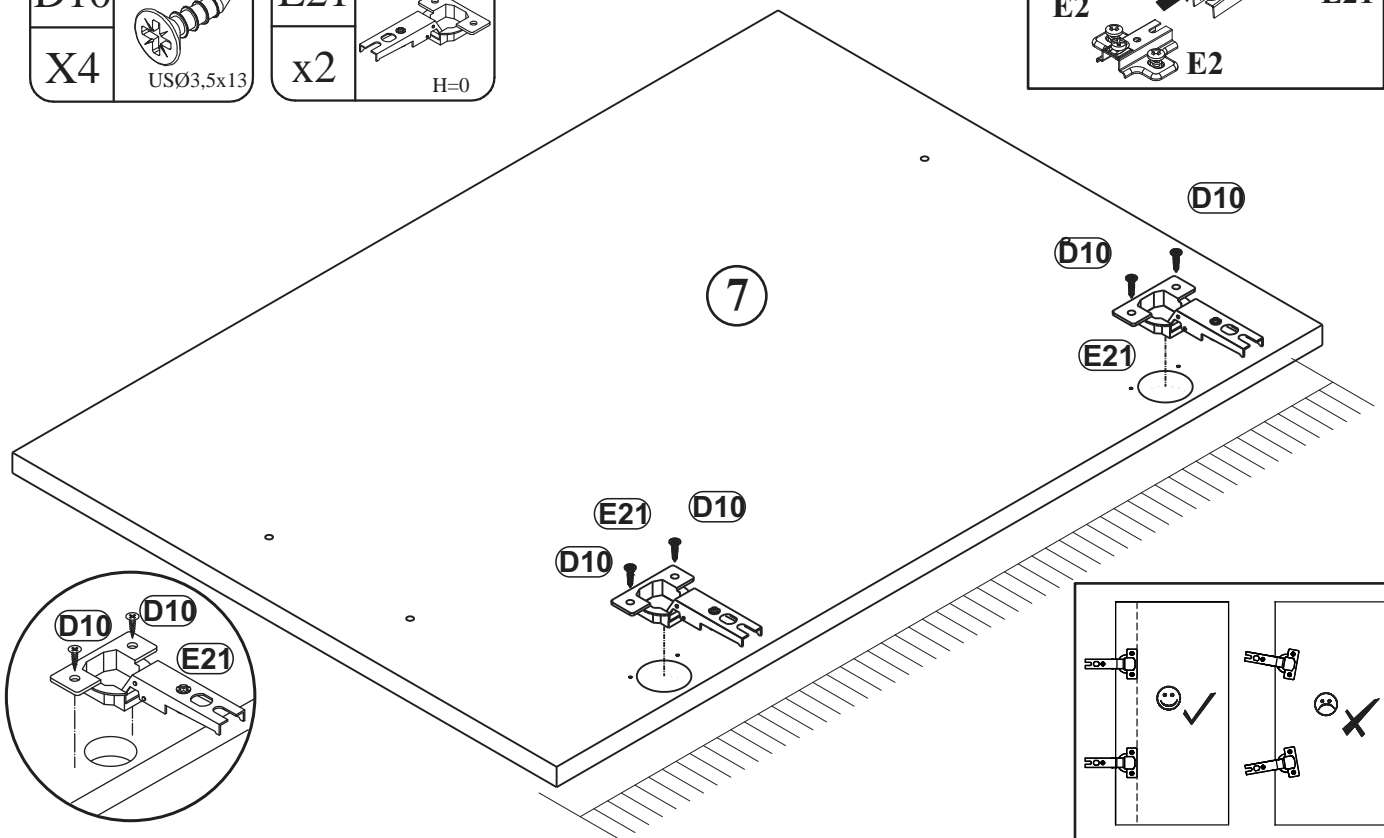
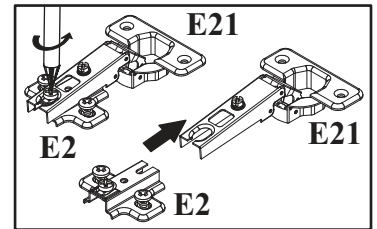
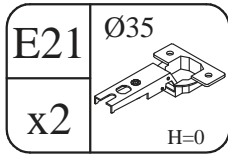
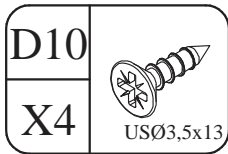
6

B5		A3	
X2	Ø15x12	X2	Ø8x47

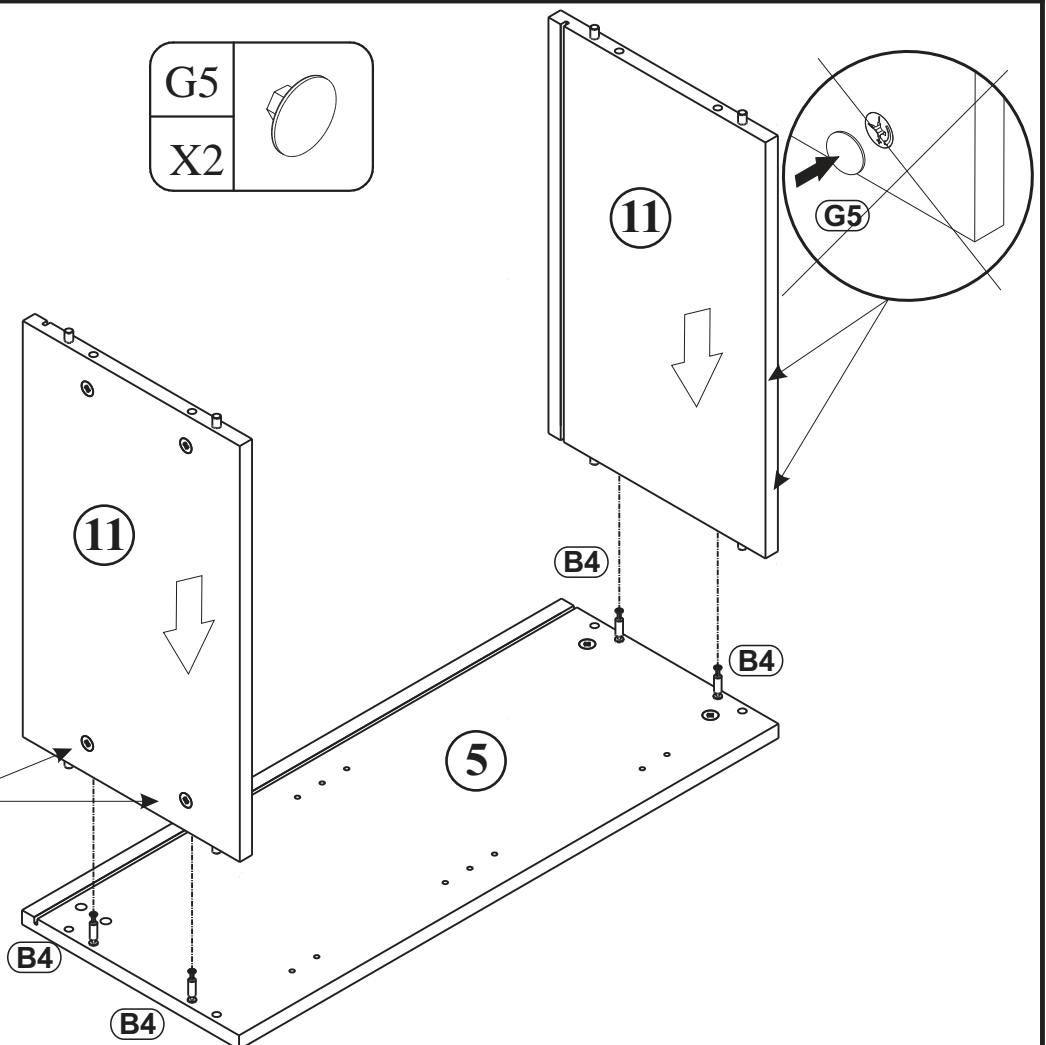
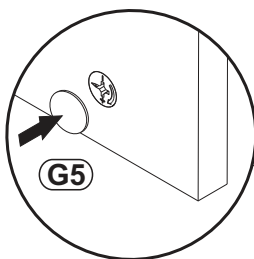
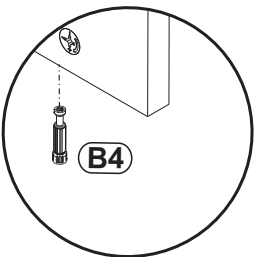
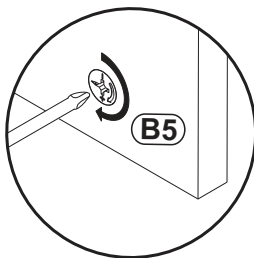
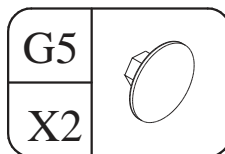
B4	
X4	



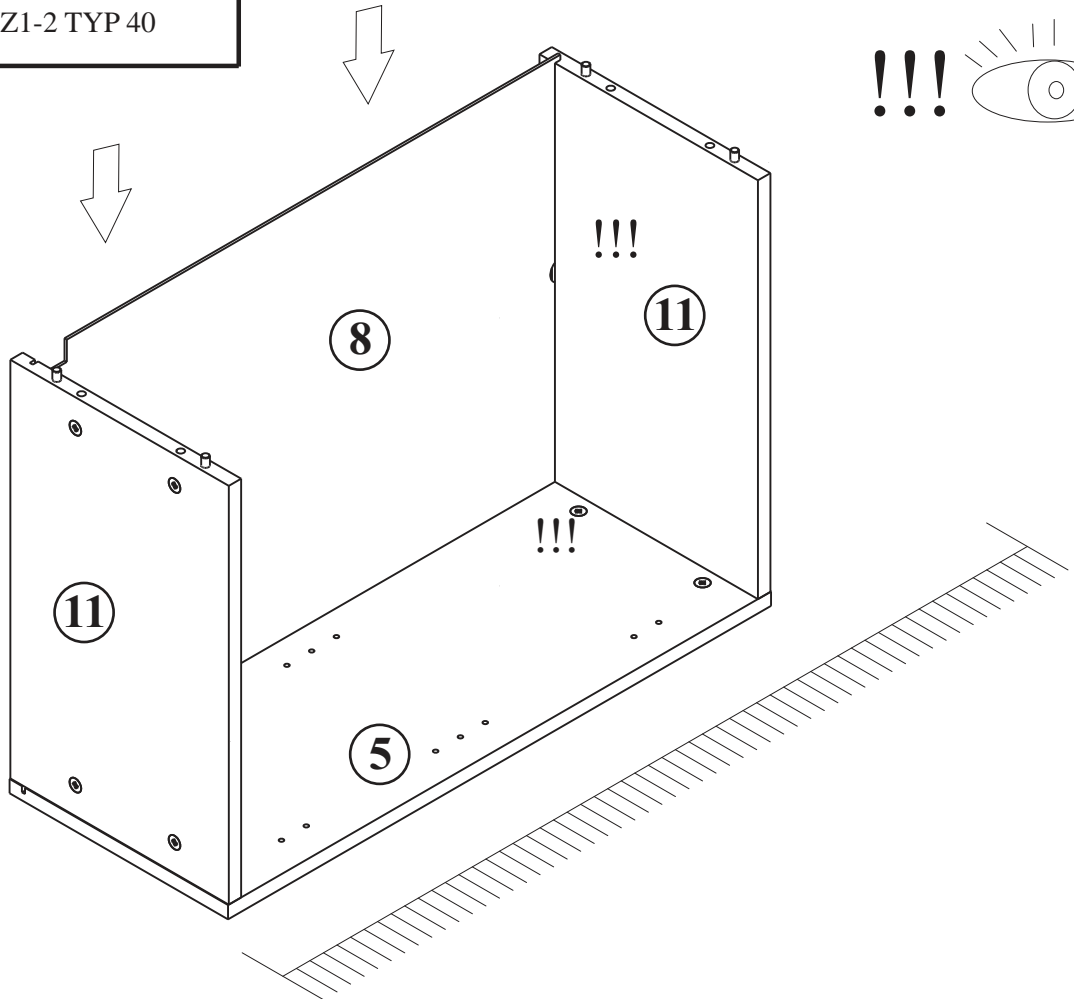
7



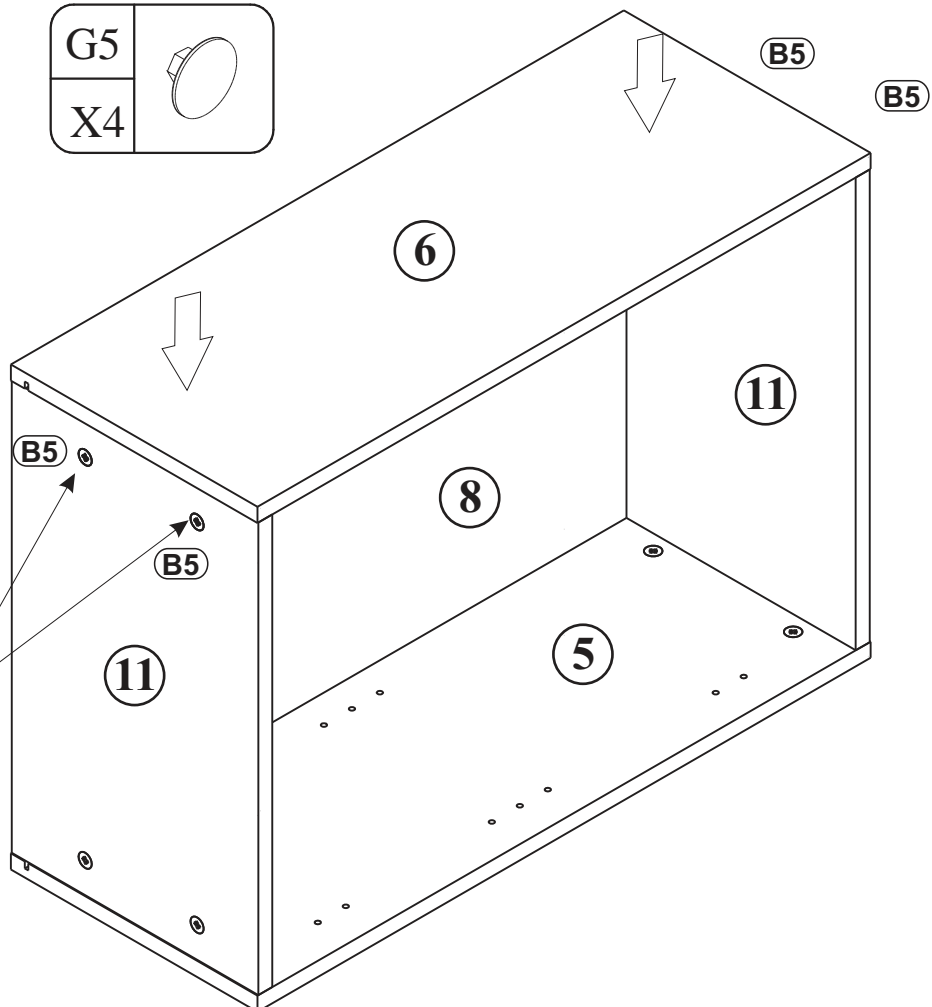
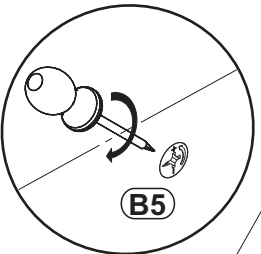
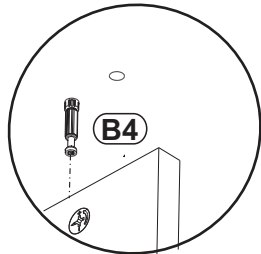
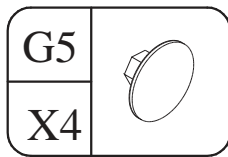
8



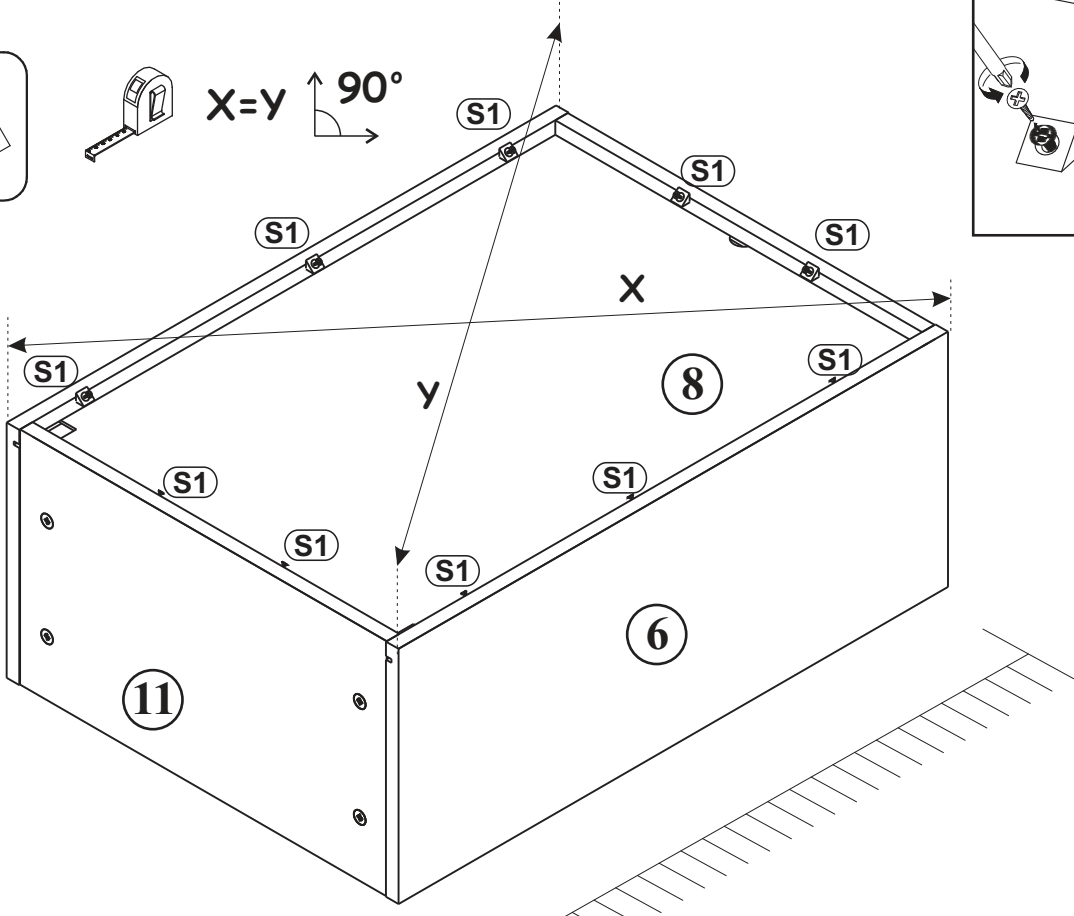
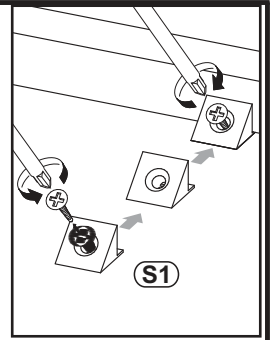
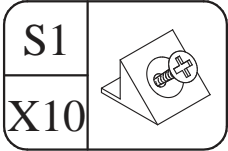
9



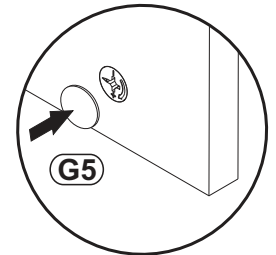
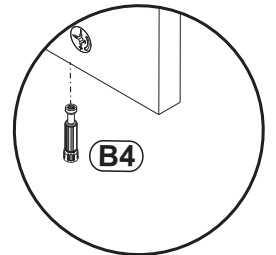
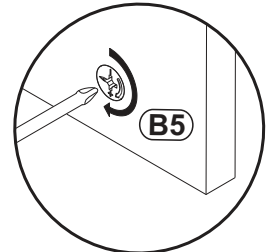
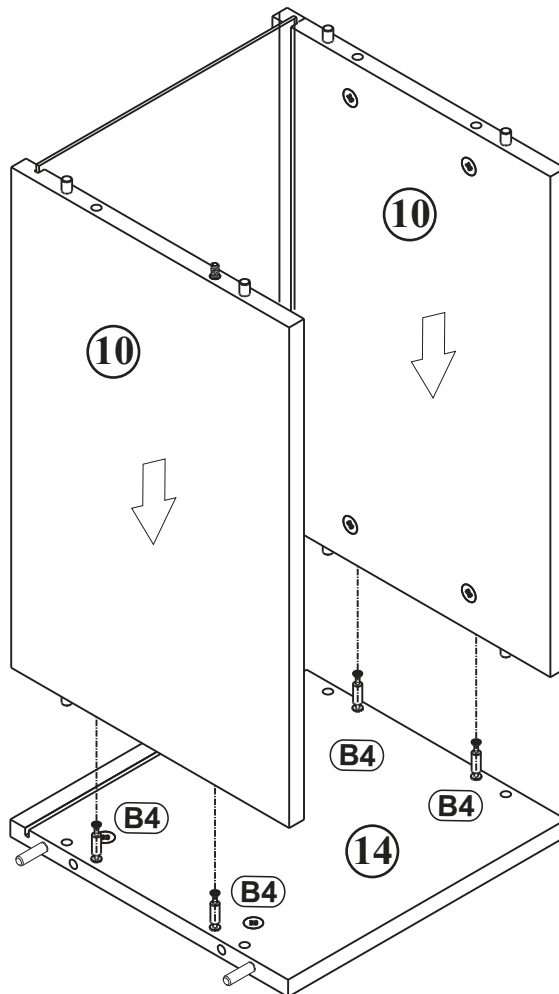
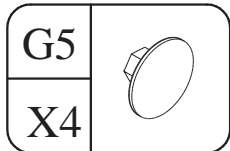
10



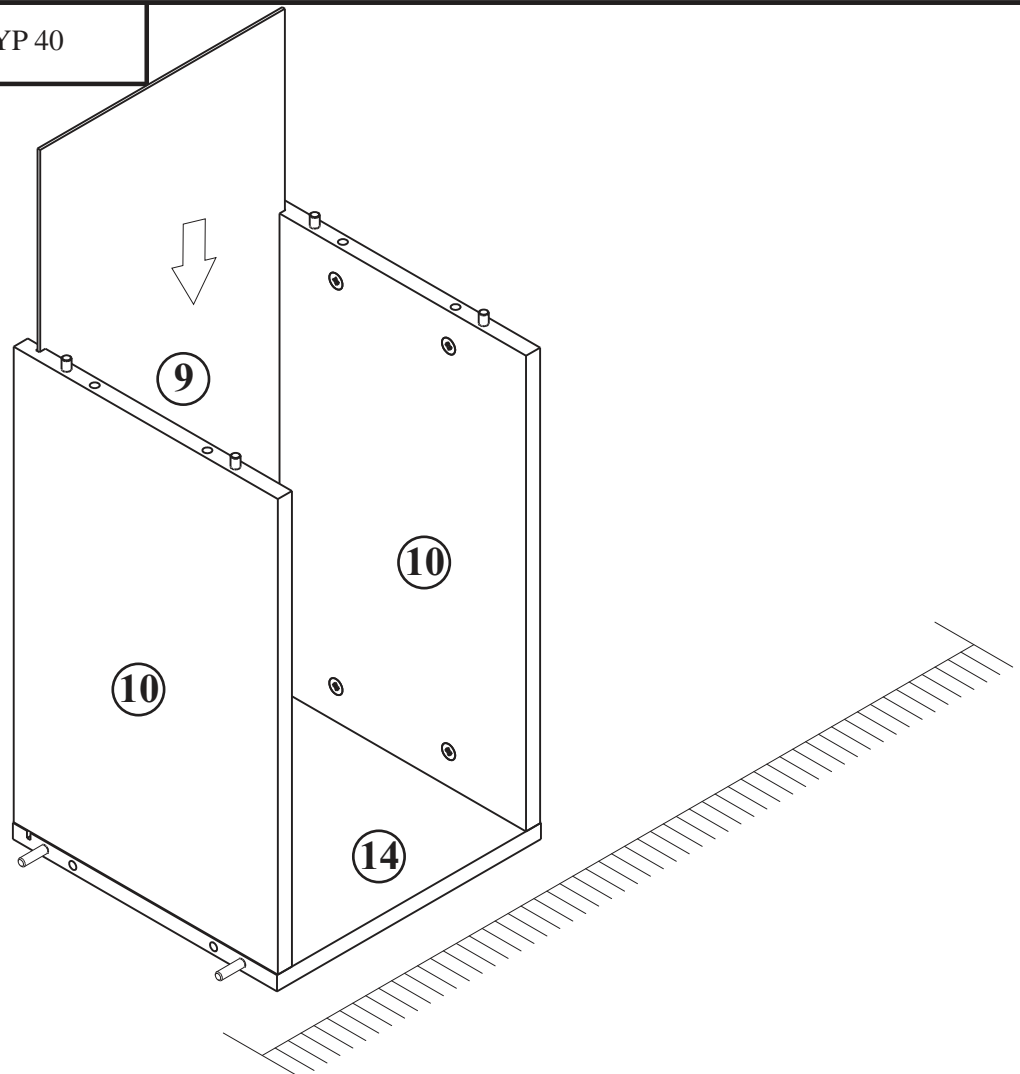
11



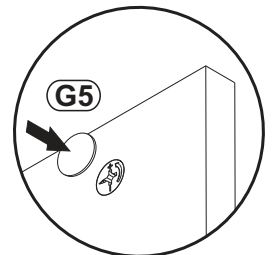
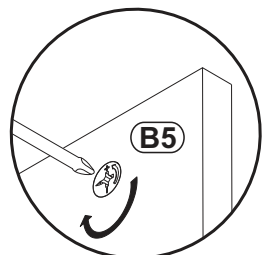
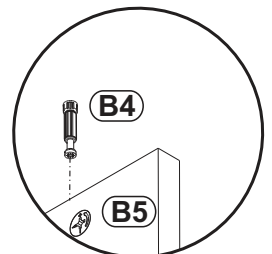
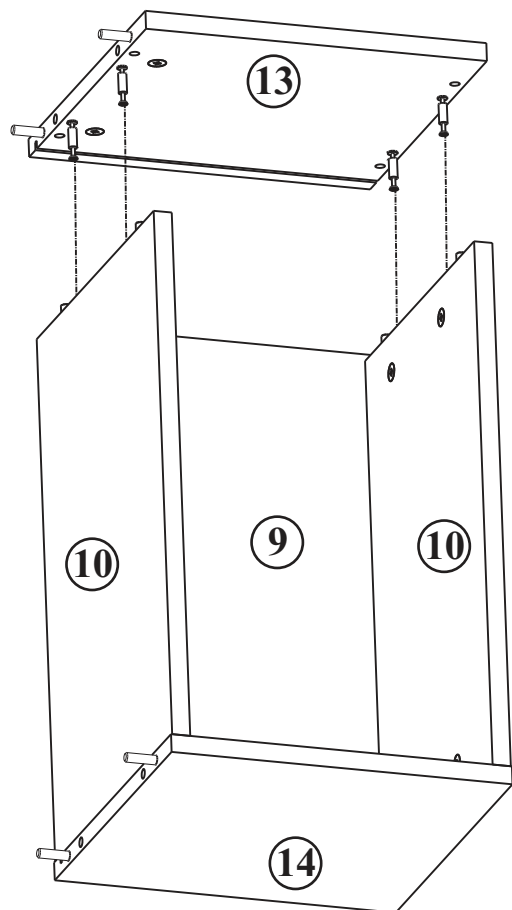
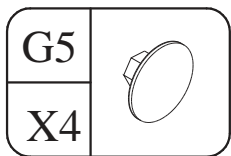
12



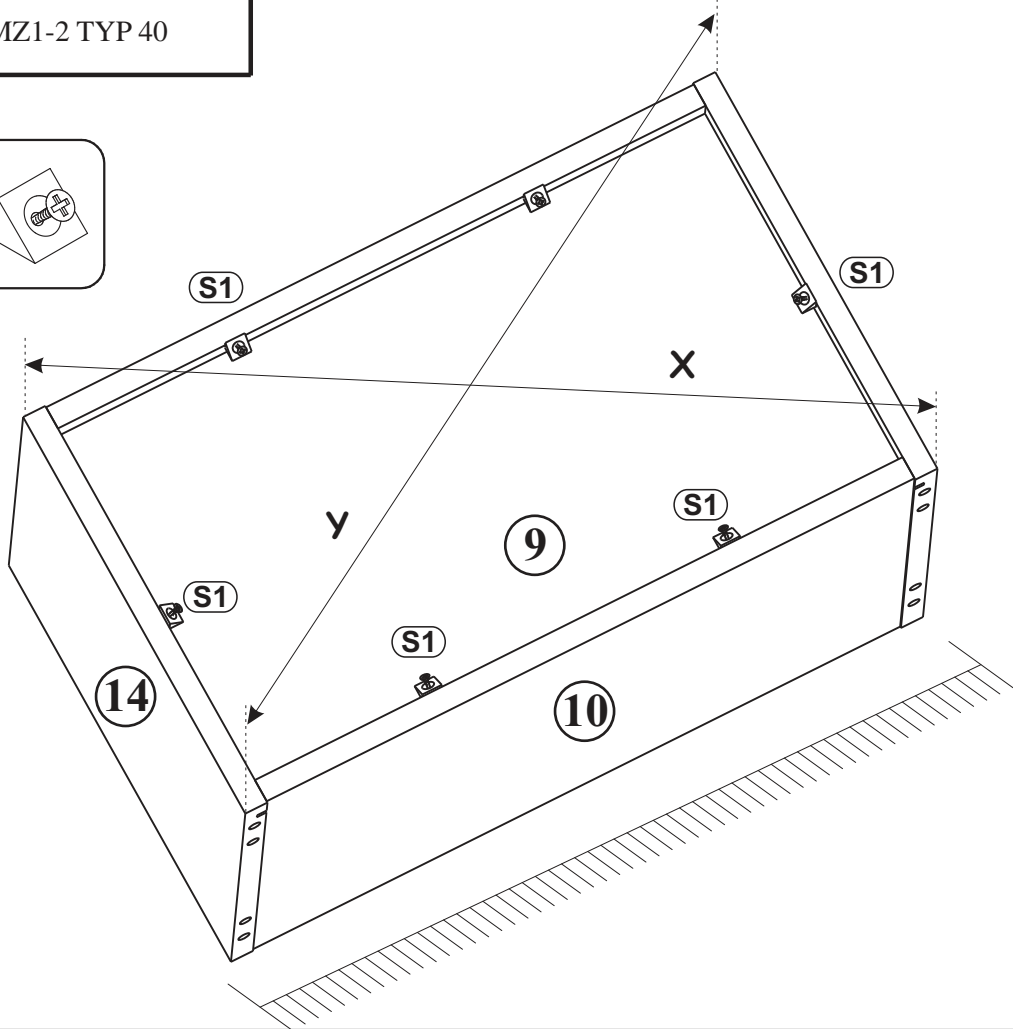
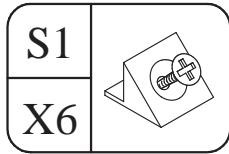
13



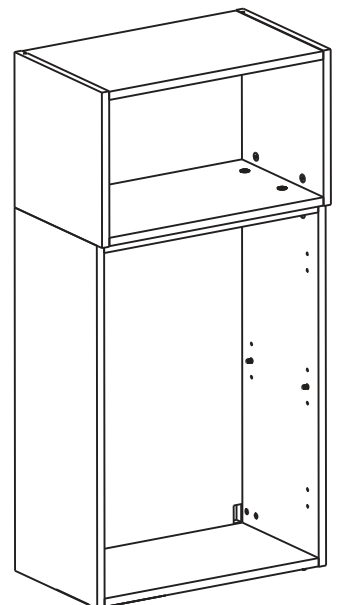
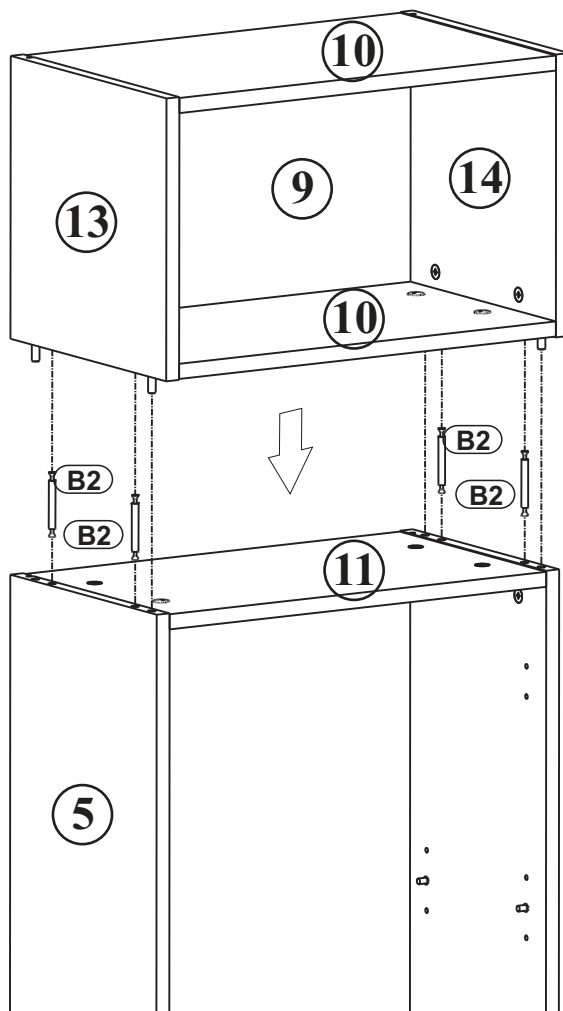
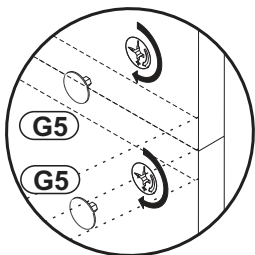
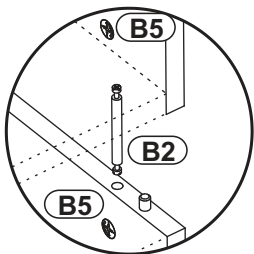
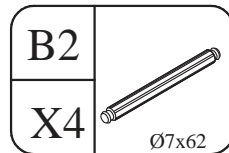
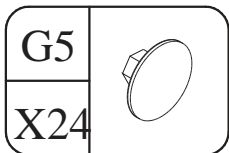
14



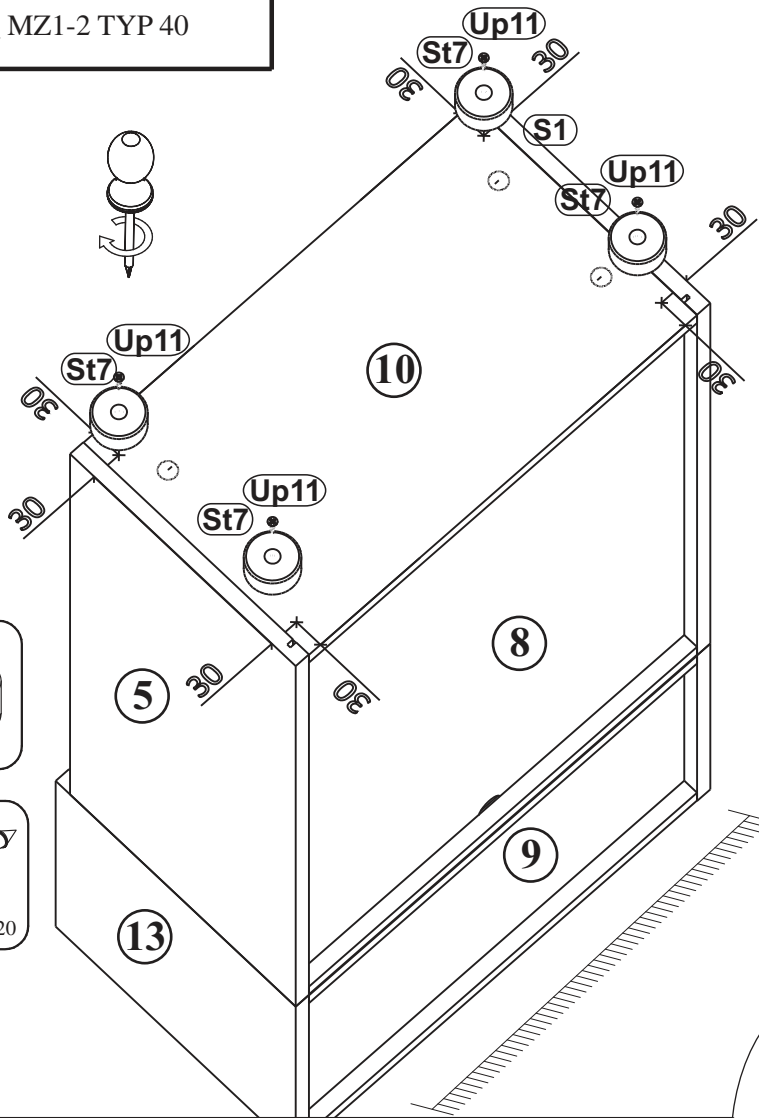
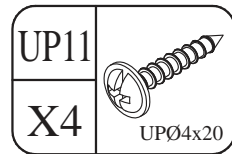
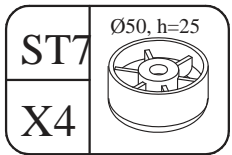
15



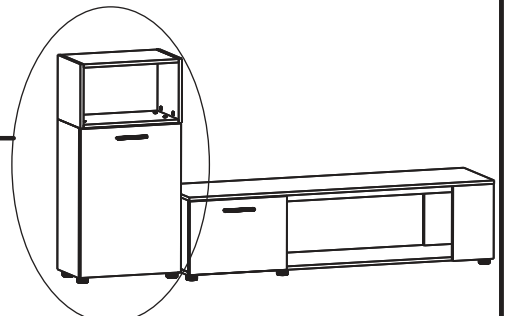
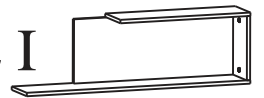
16



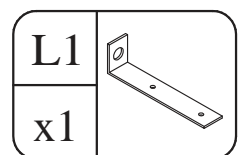
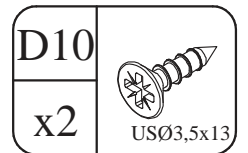
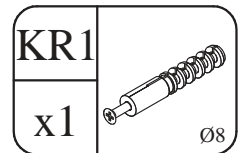
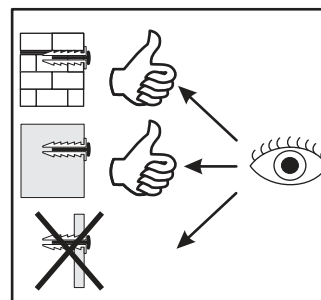
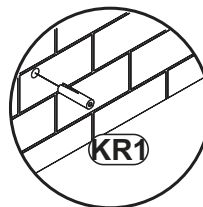
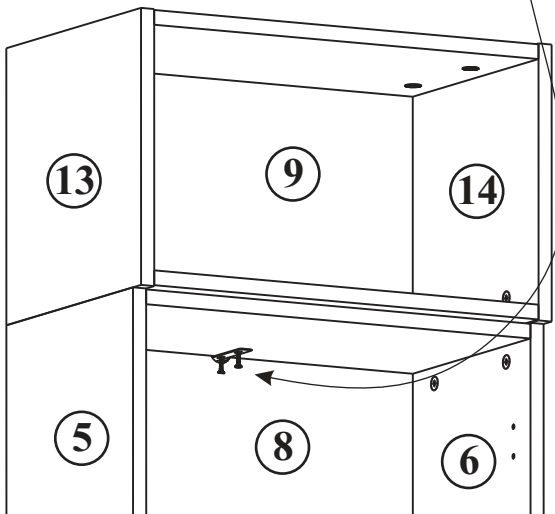
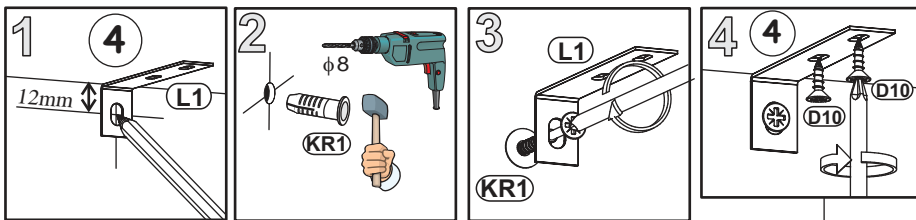
17a



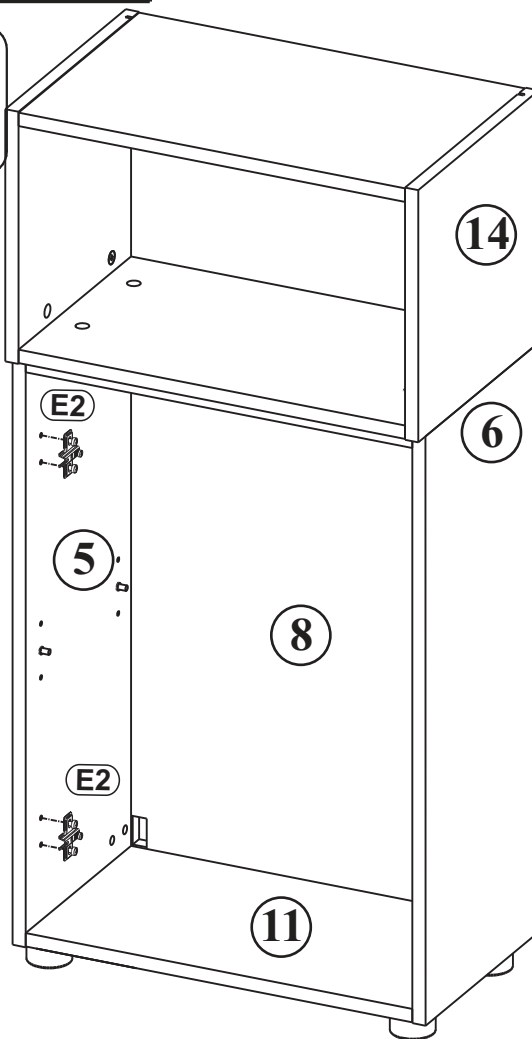
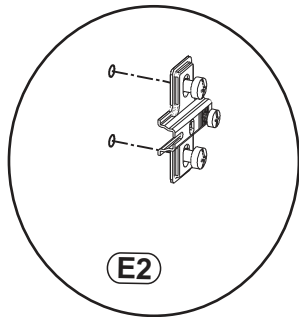
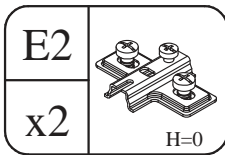
MAZE I



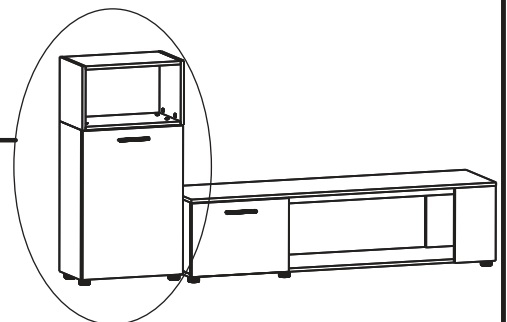
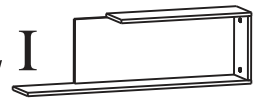
18a



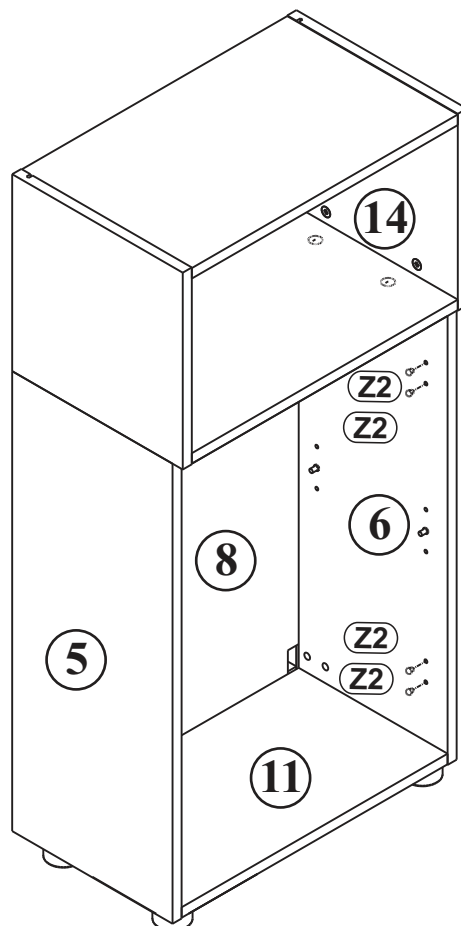
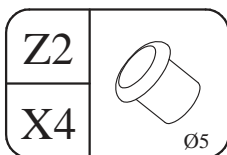
19a



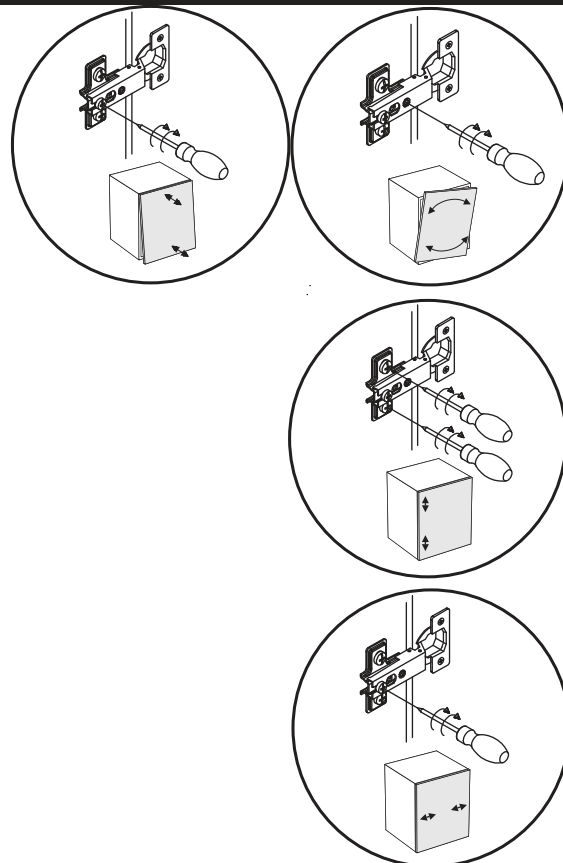
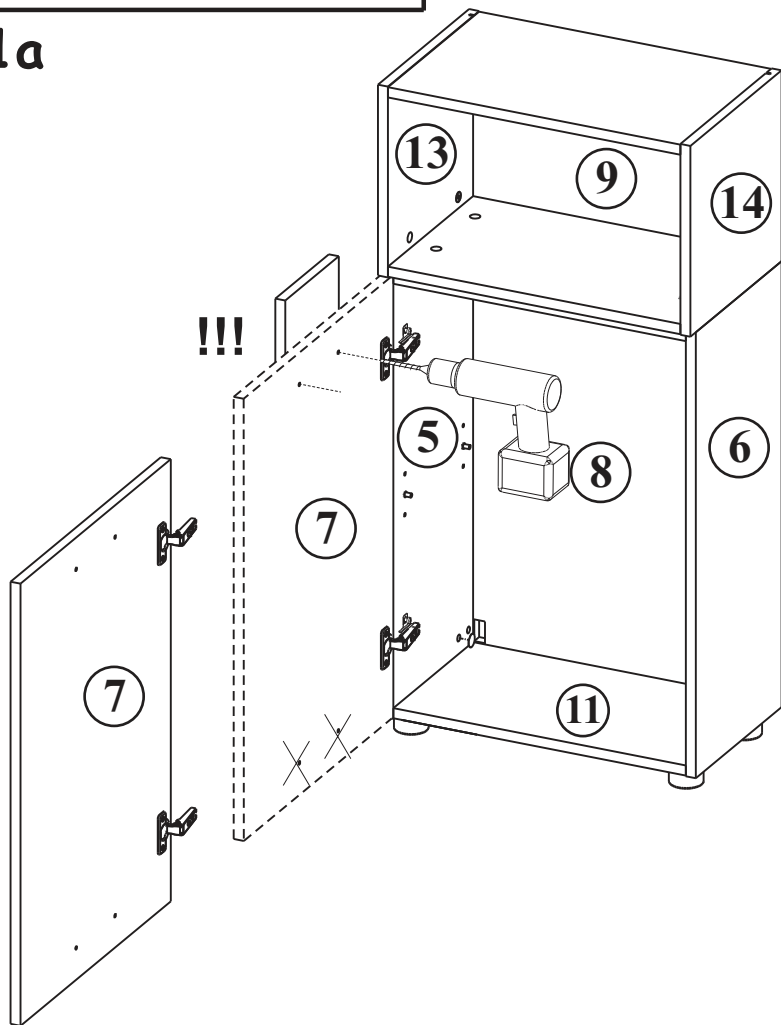
MAZE I



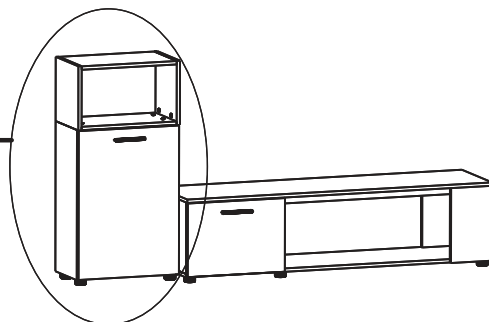
20a



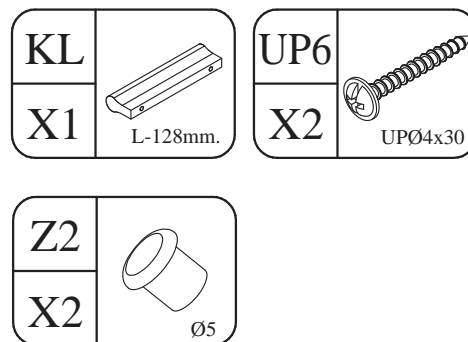
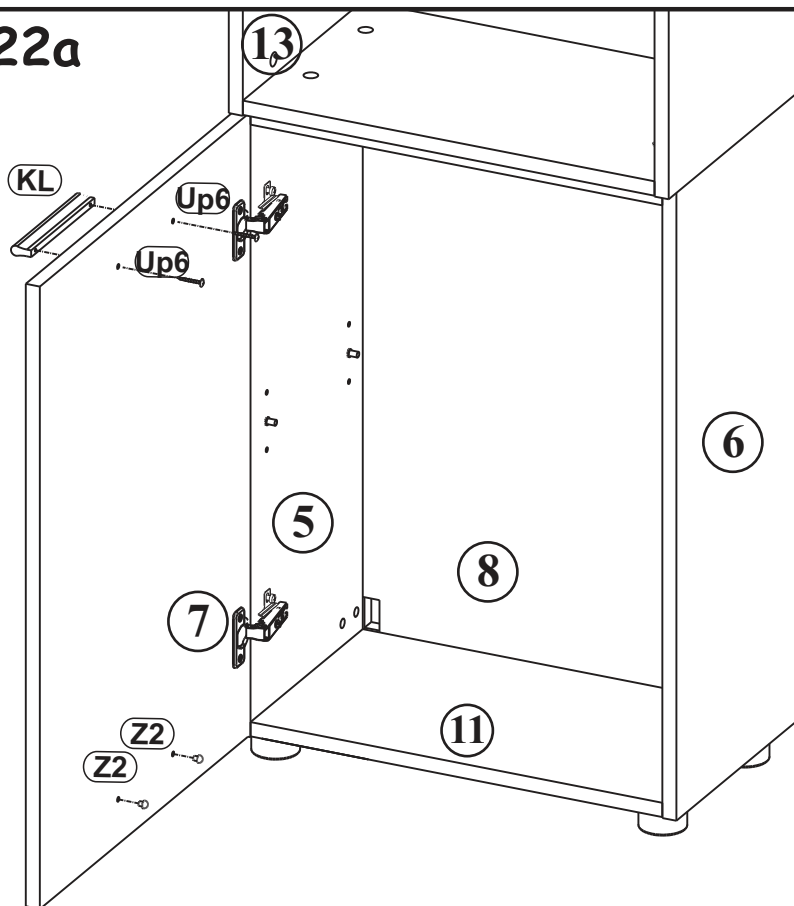
21a



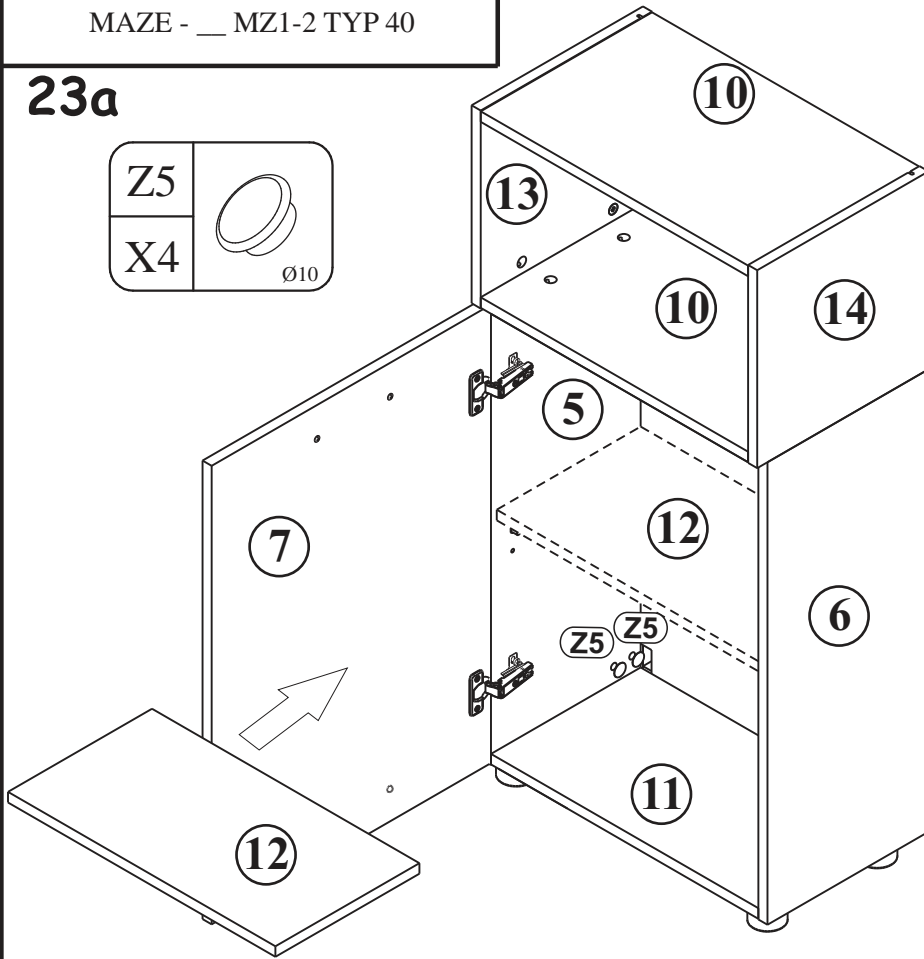
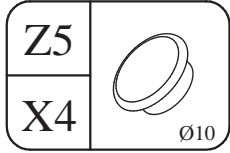
MAZE I 



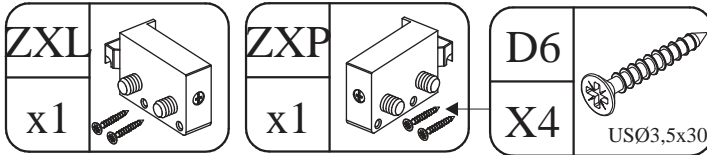
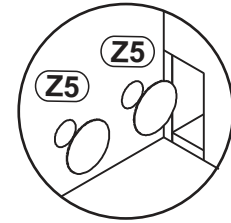
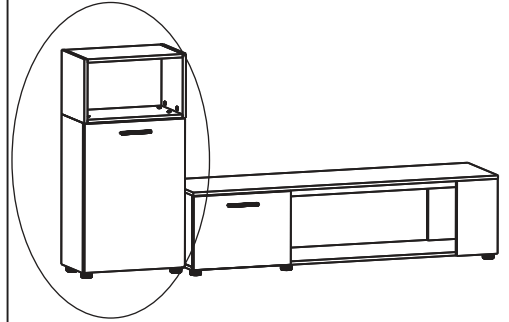
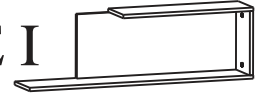
22a



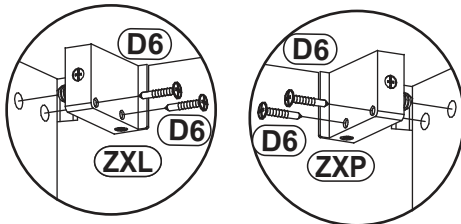
23a



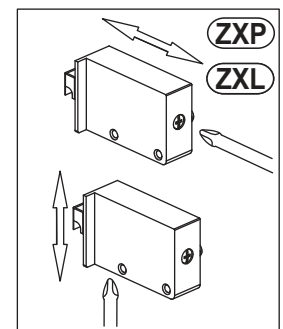
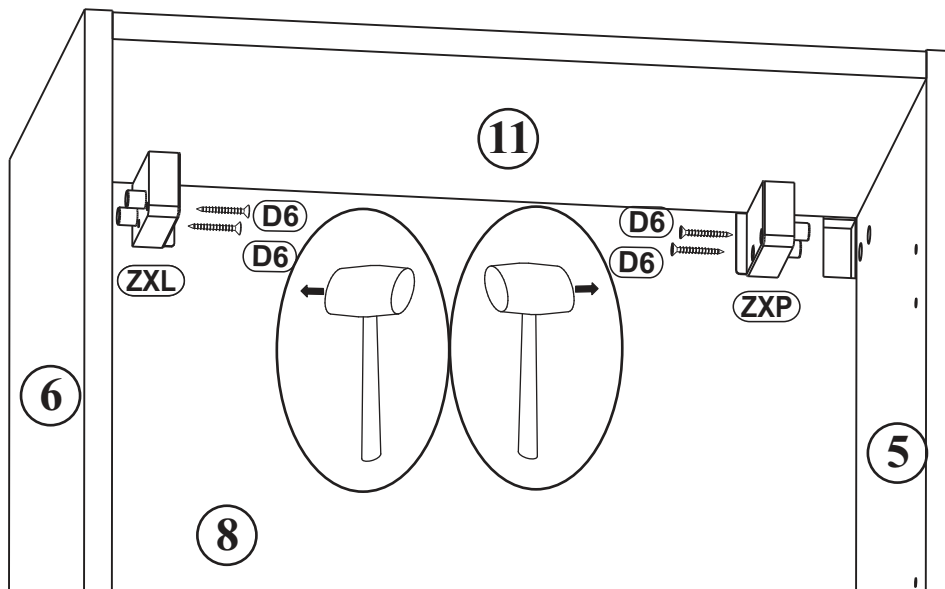
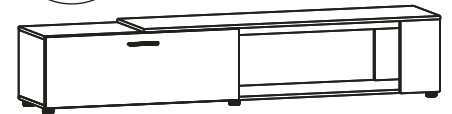
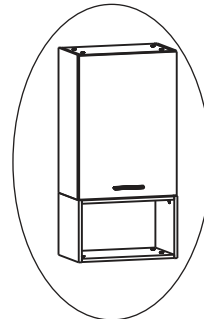
MAZE I



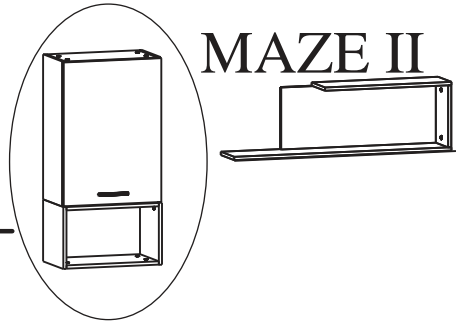
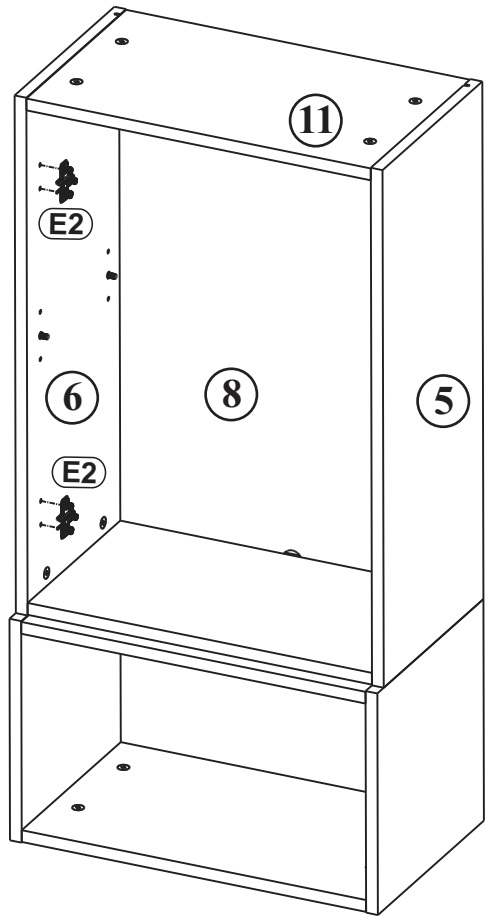
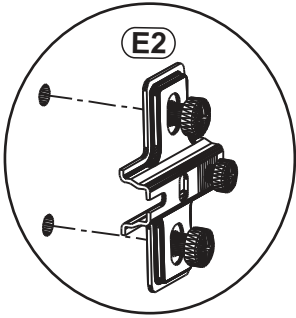
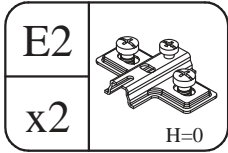
17b



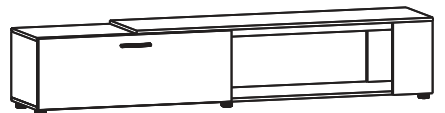
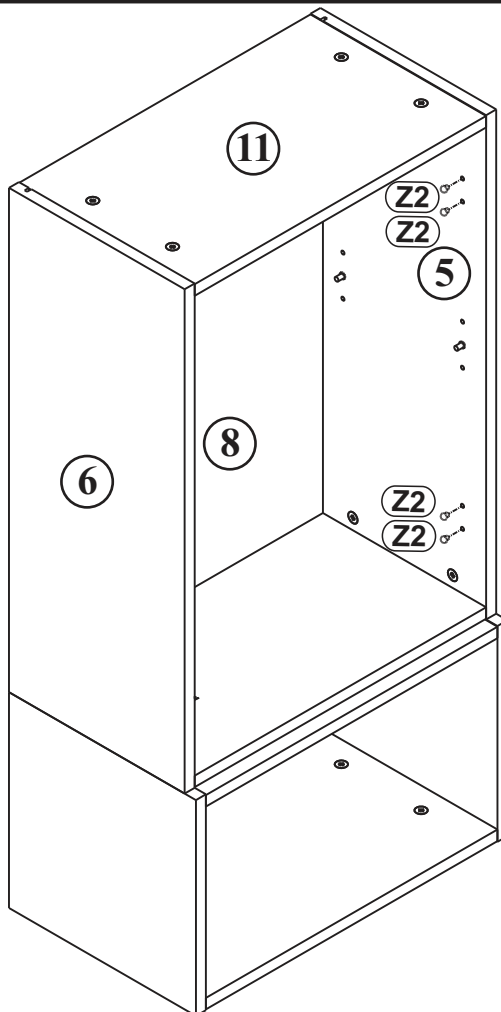
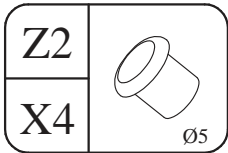
MAZE II

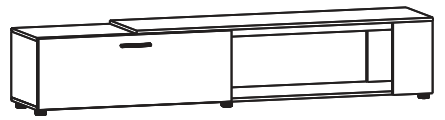
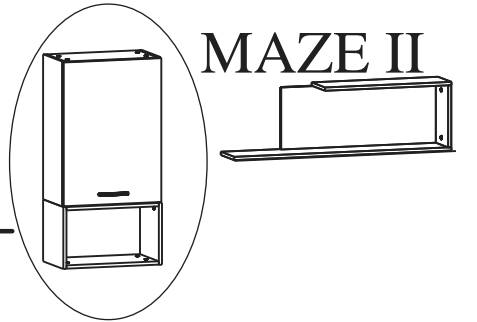
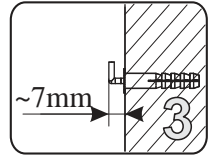
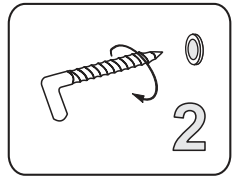
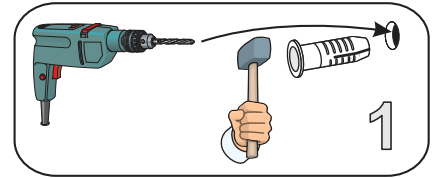
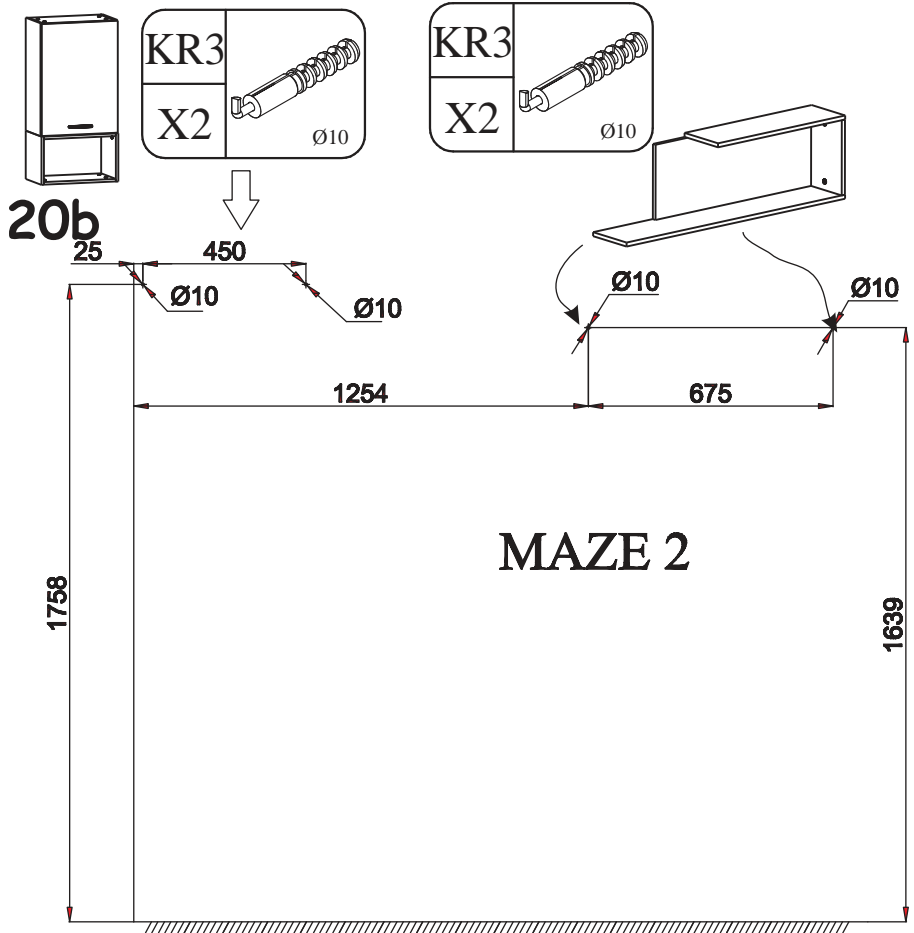


18b

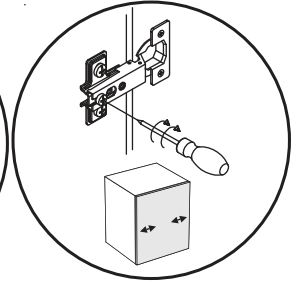
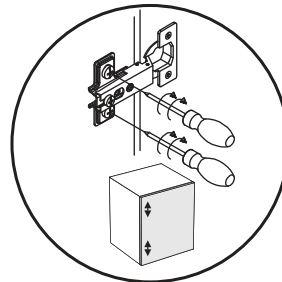
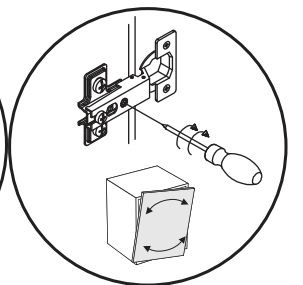
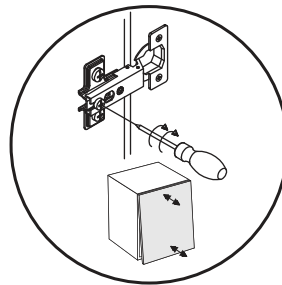
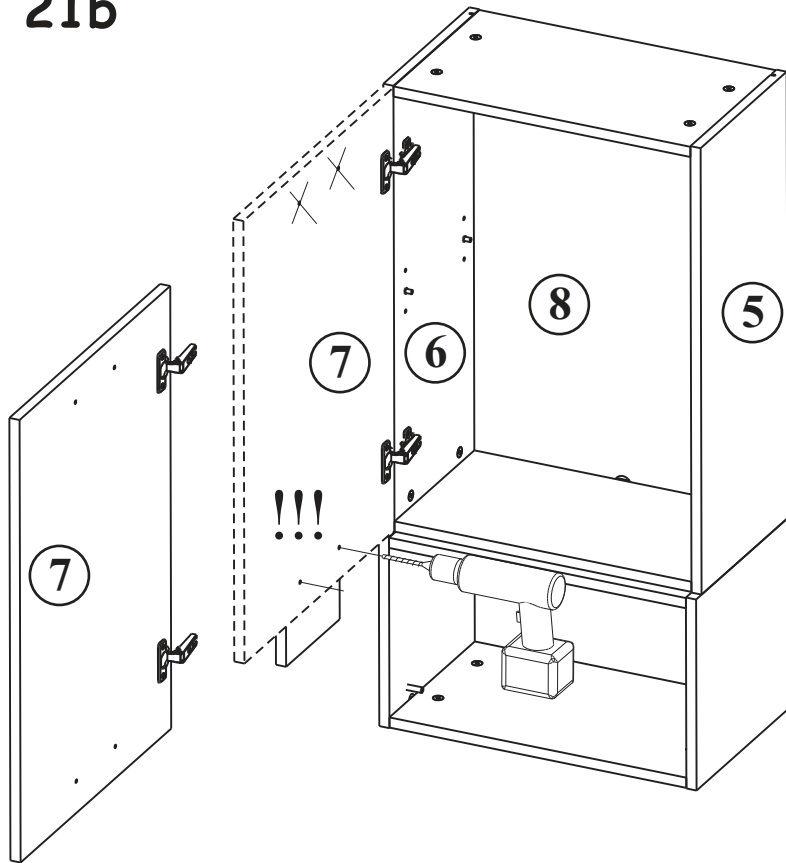


19b

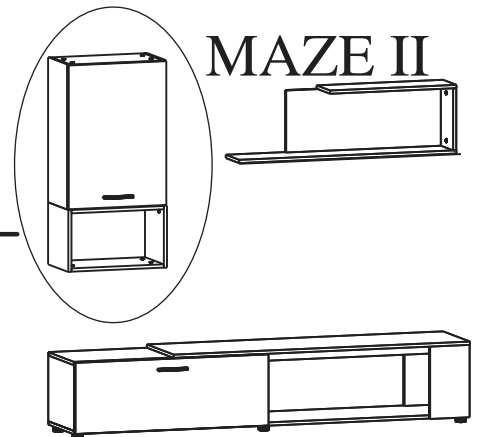
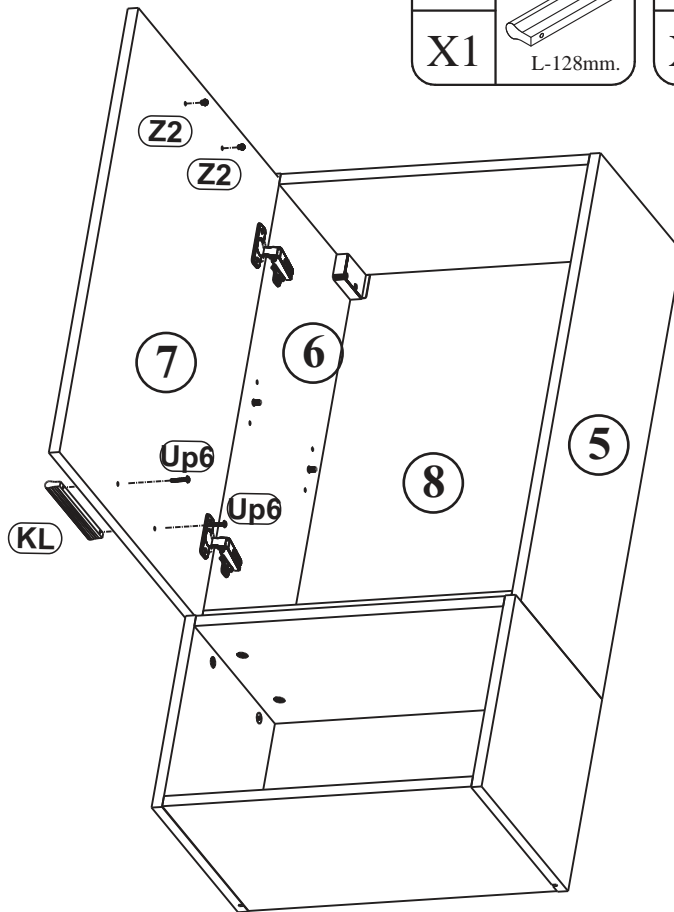
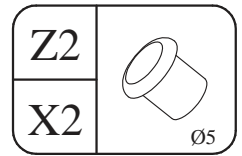
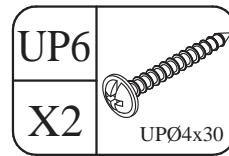
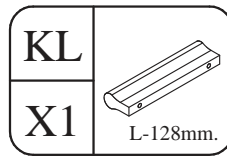




21b



22b



23b

