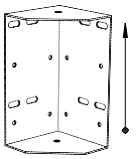
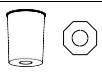
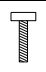



| NO |   | SASI<br>QUANT.<br>QTY |
|----|---|-----------------------|
| A  |    | 4                     |
| B  |   | 4                     |
| C  |  | 32                    |
| D  |  | 4                     |

