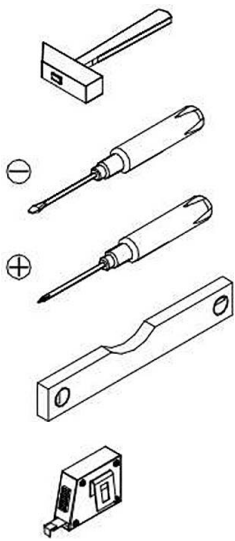
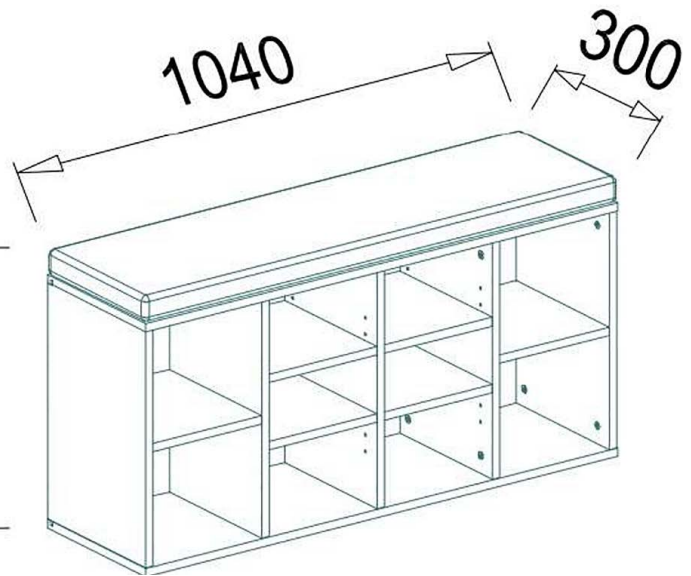


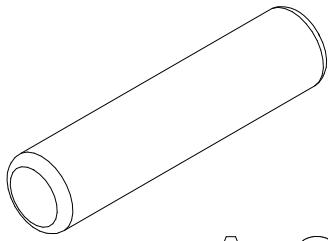


45 MIN

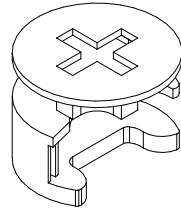


534

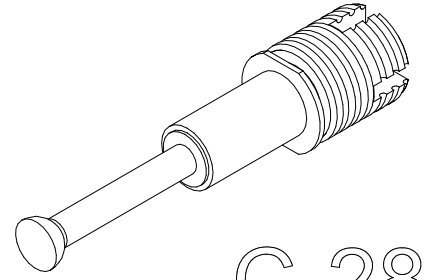




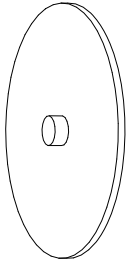
A-20



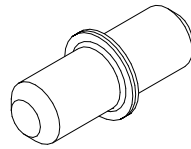
B-28



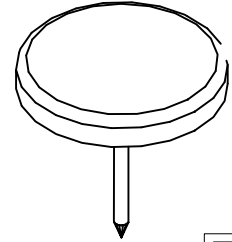
C-28



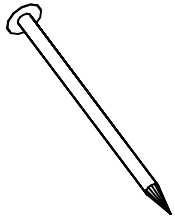
D-28



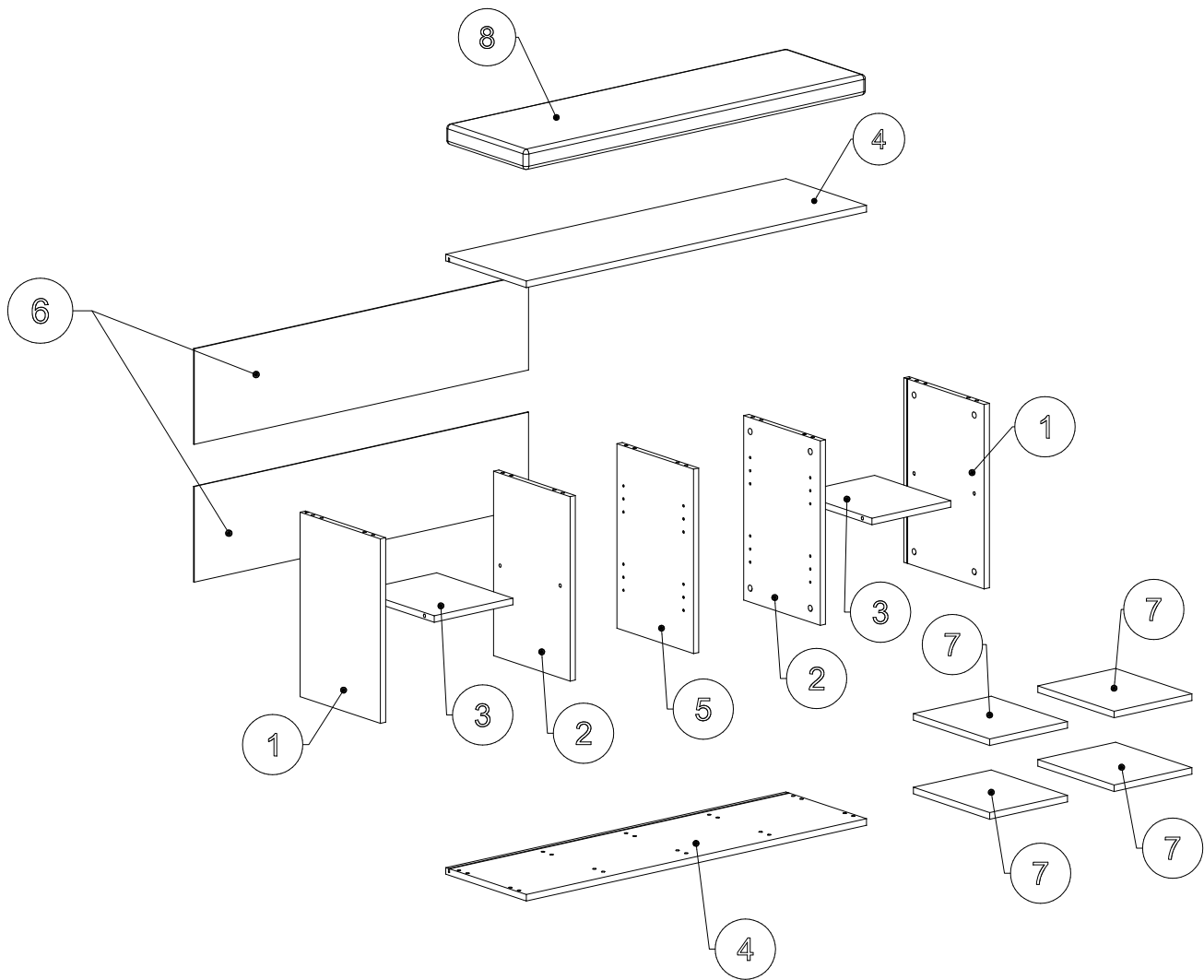
E-16



F-8

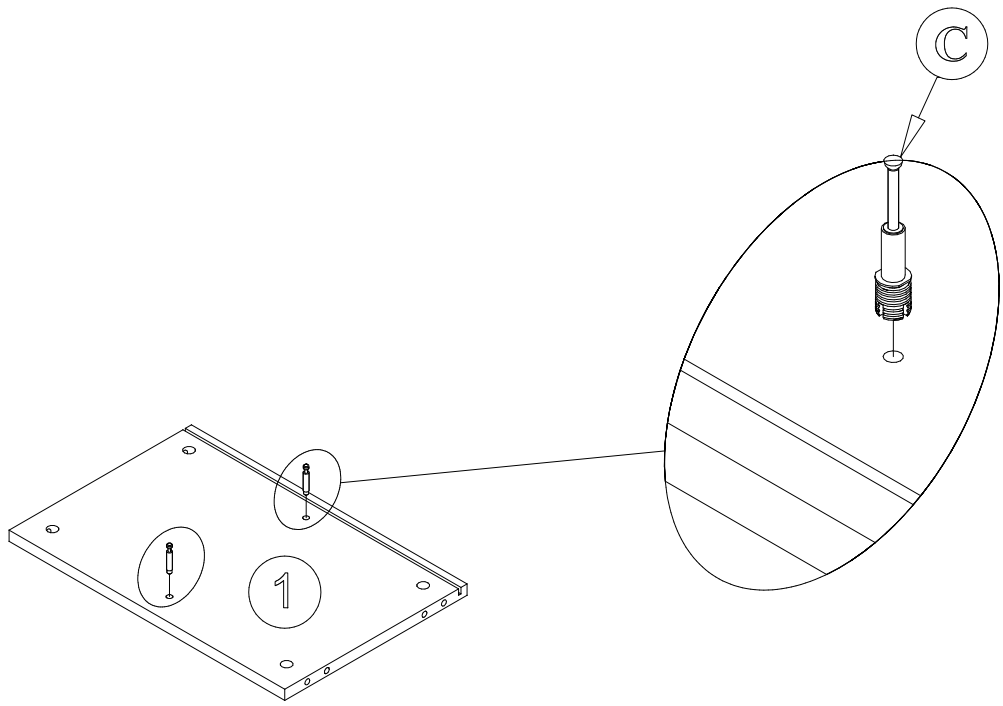


G-10qr

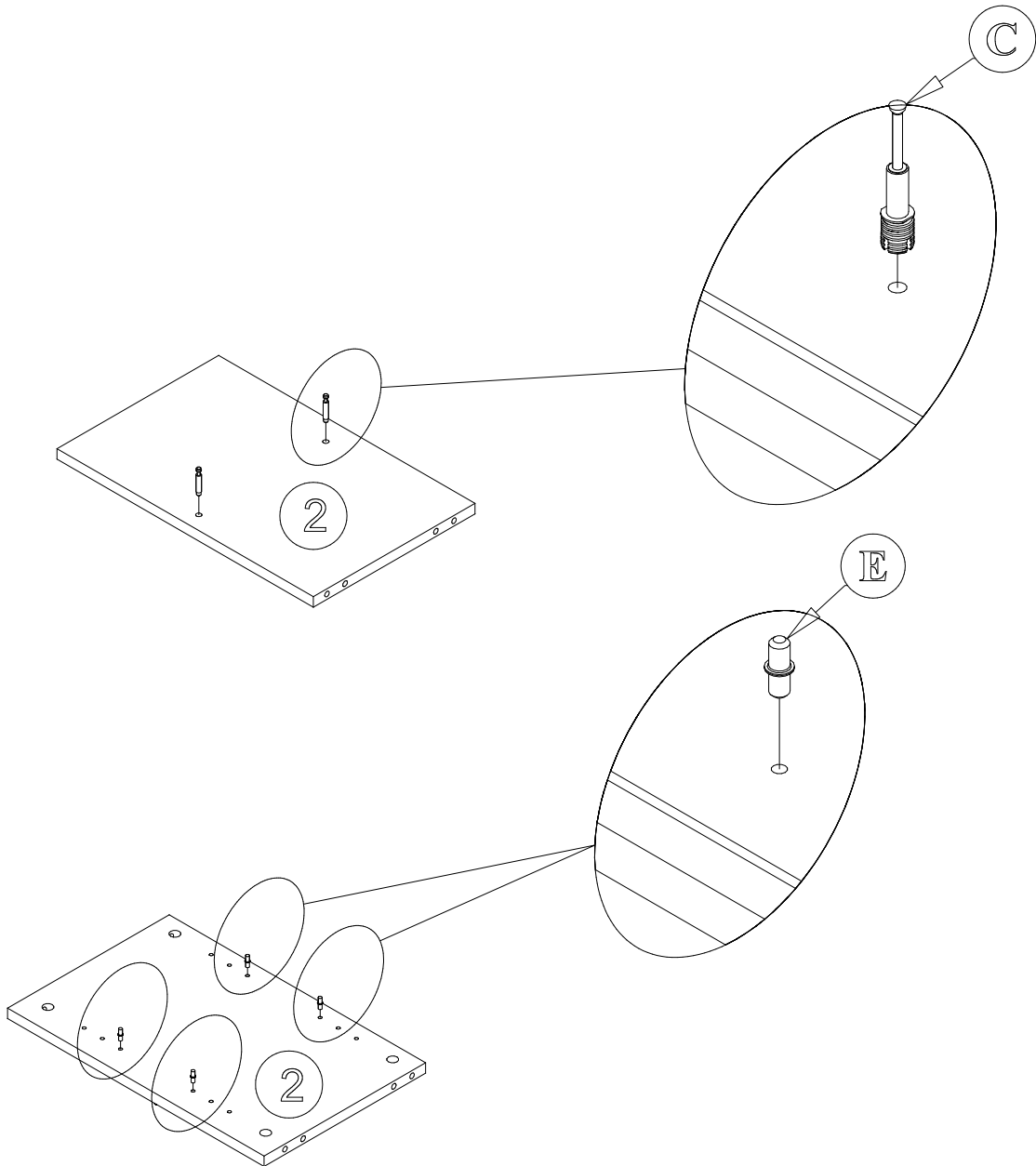


No	X	Y	Z	Amount
THE SPARE PART				
1	452	299	16	2
2	452	285	16	2
3	238.5	284	16	2
4	1036	300	16	2
5	452	285	16	1
6	1018	234	3	2
7	238.5	284	16	4
8	1040	300	50	1

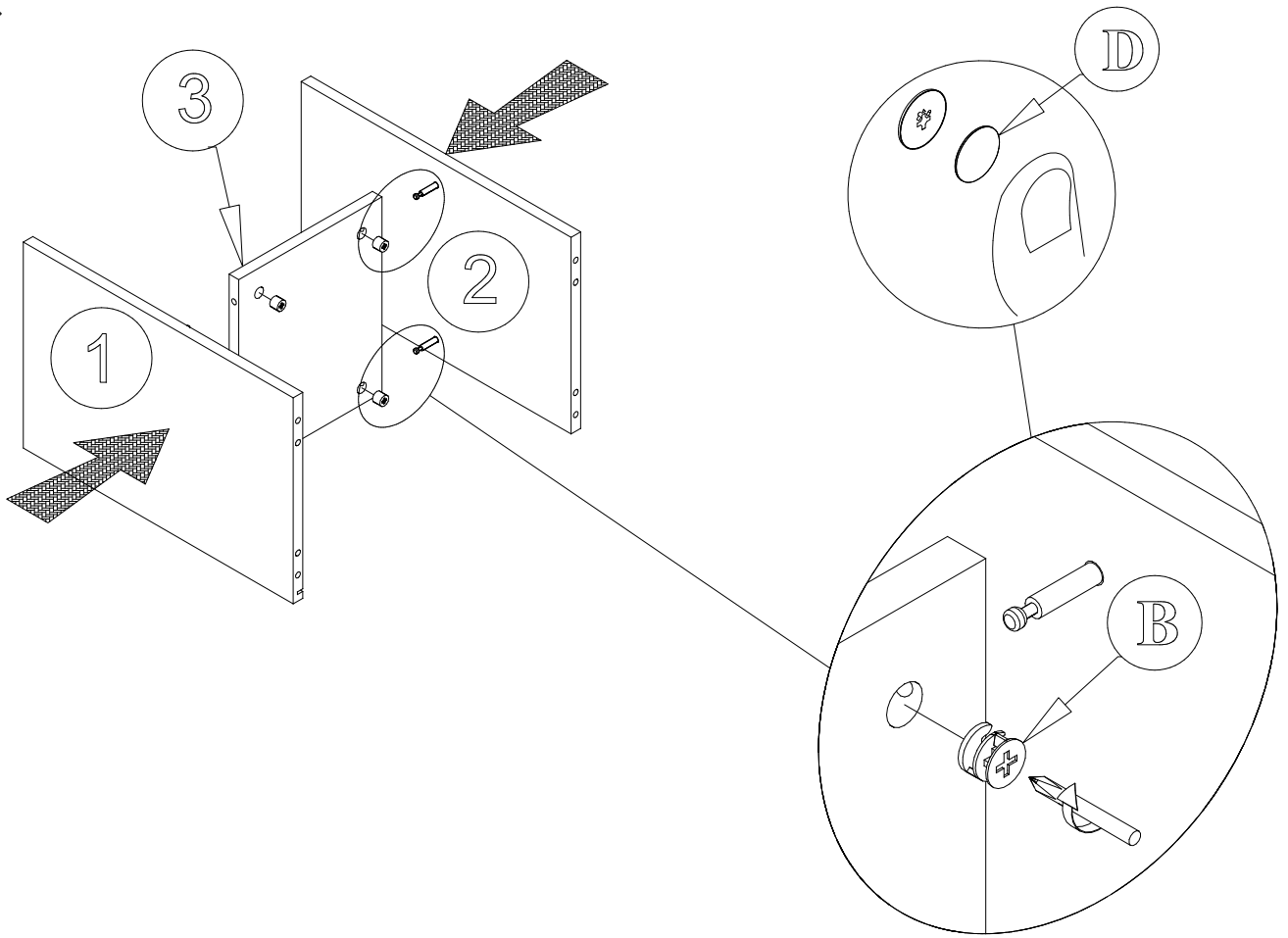
1



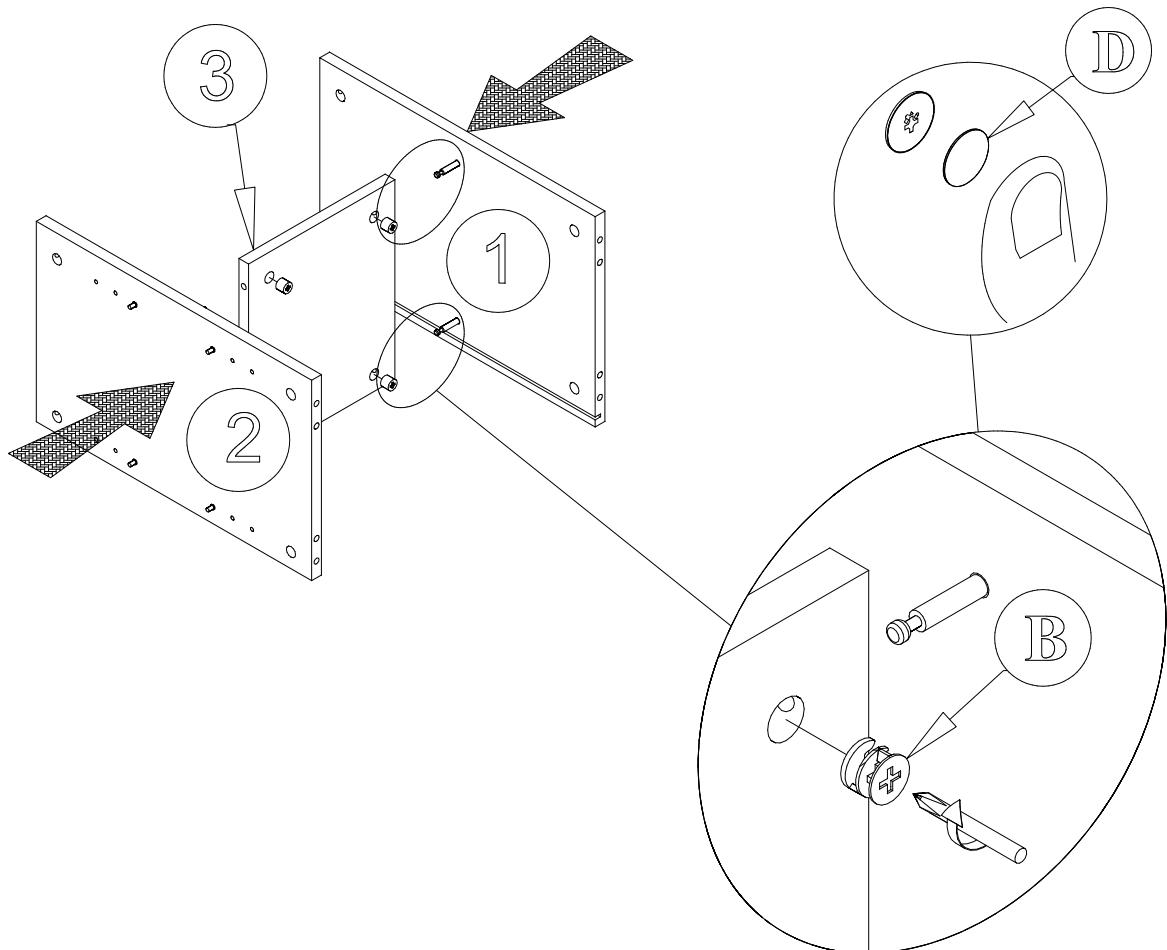
2

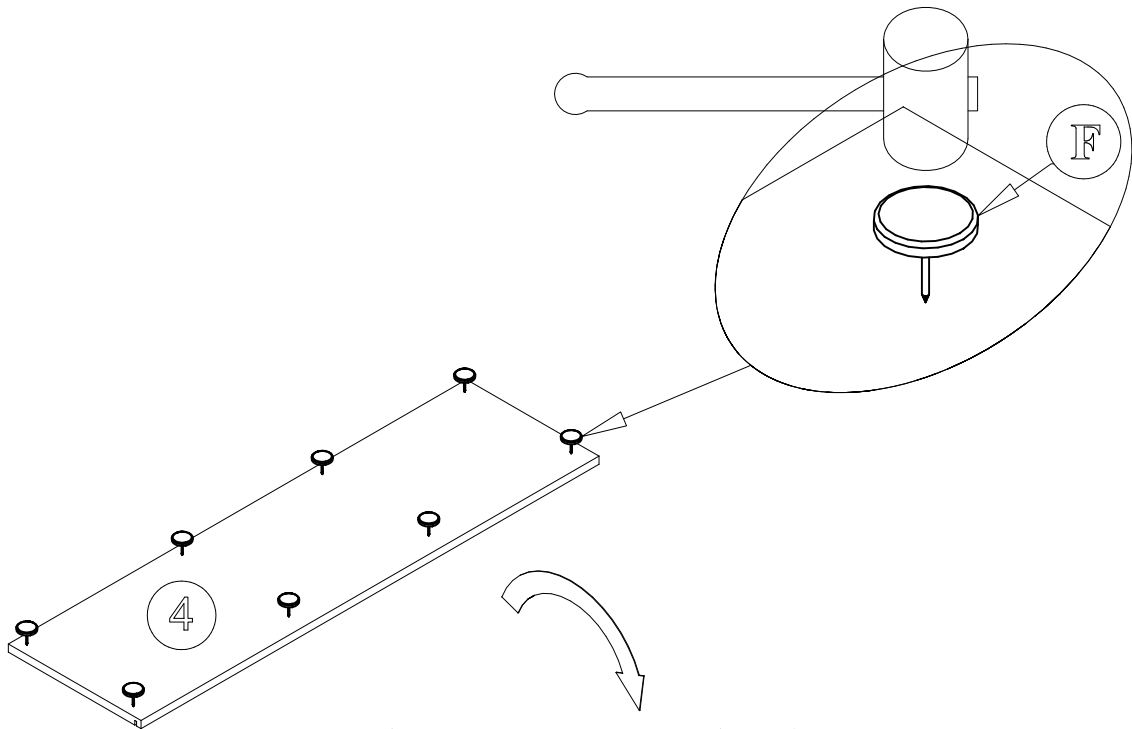


3

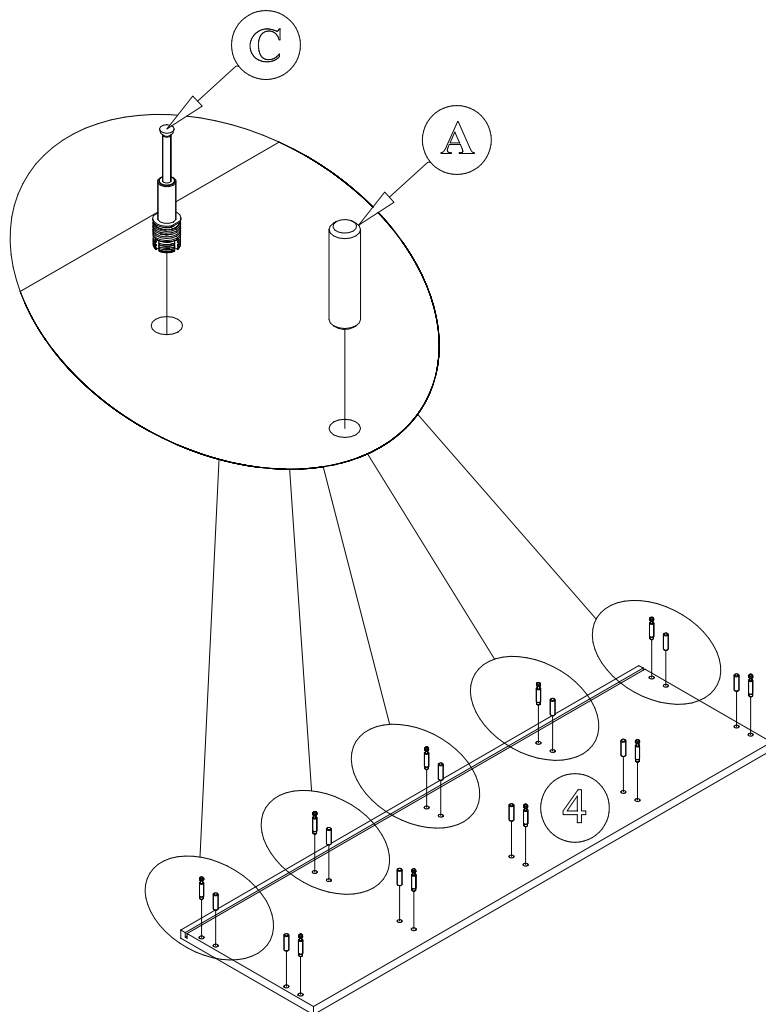


4

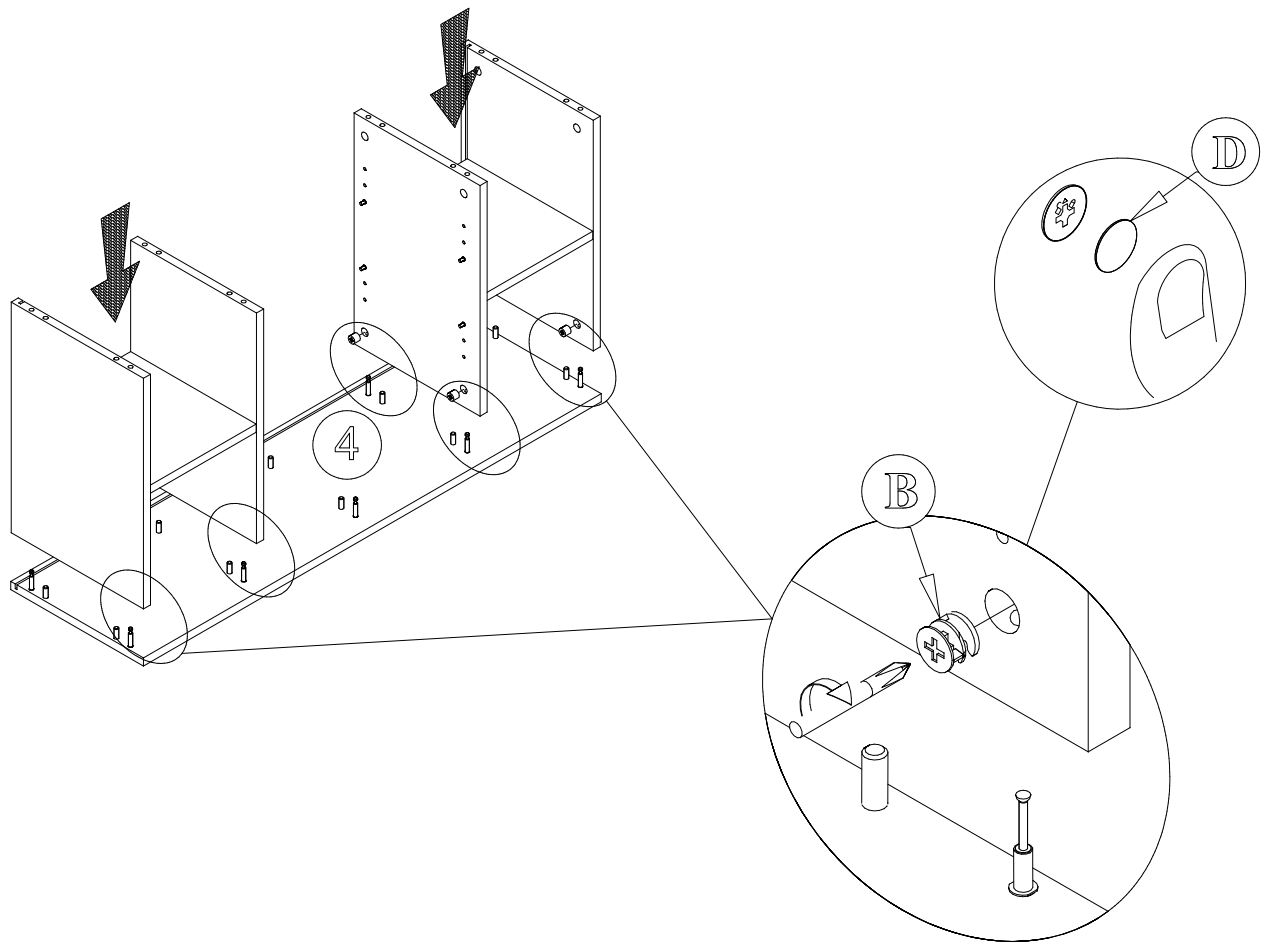




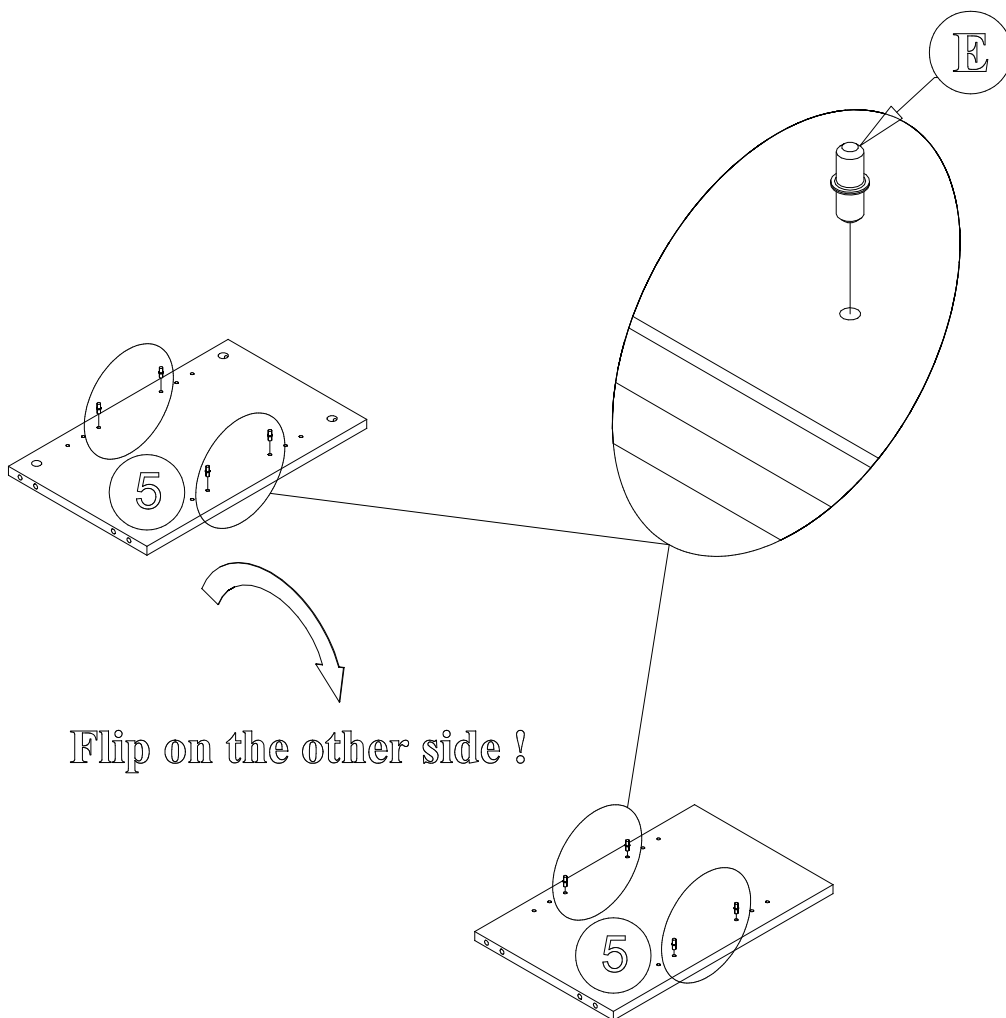
Flip on the other side !



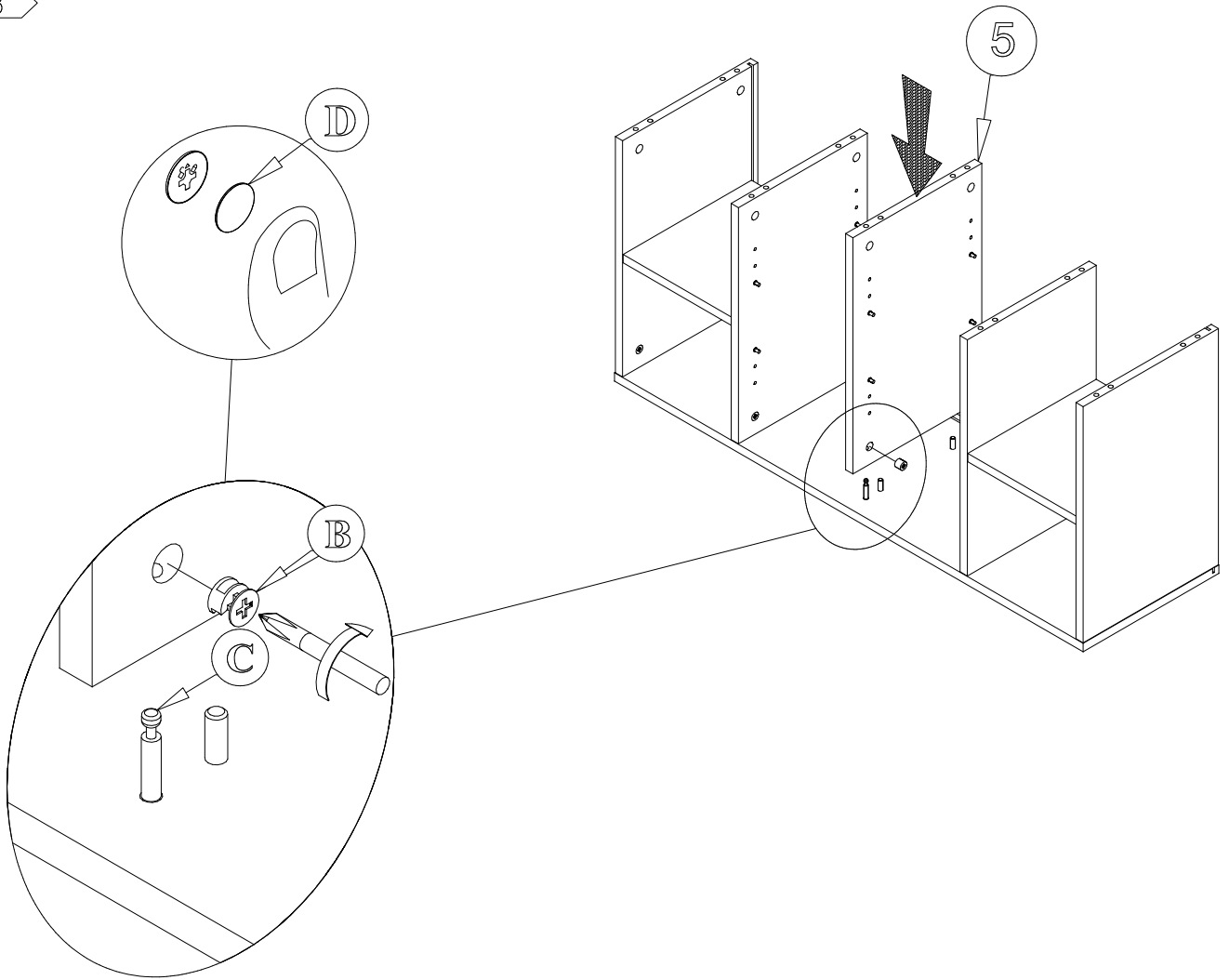
6



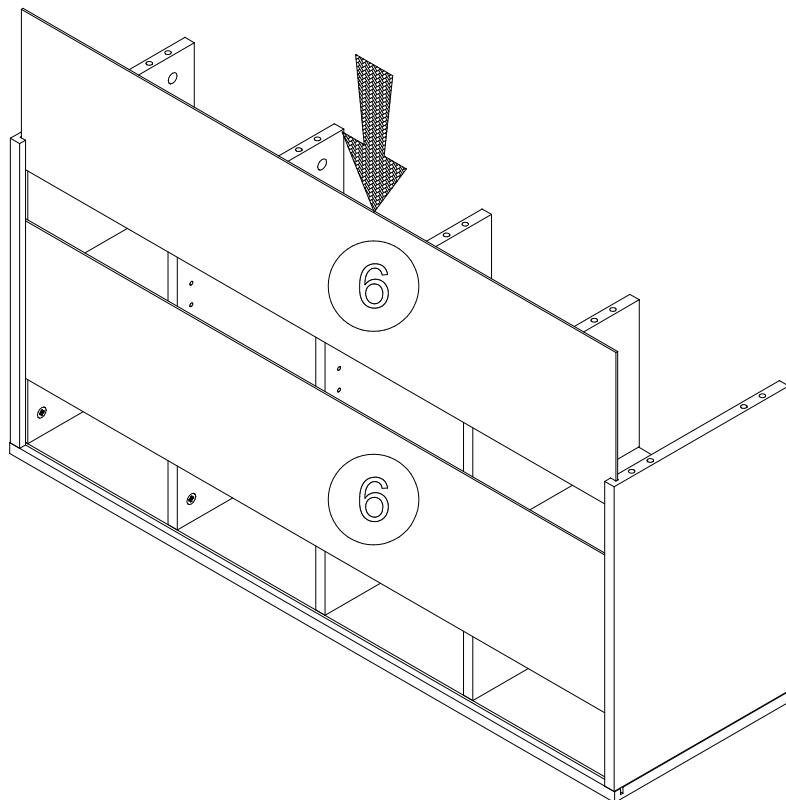
7



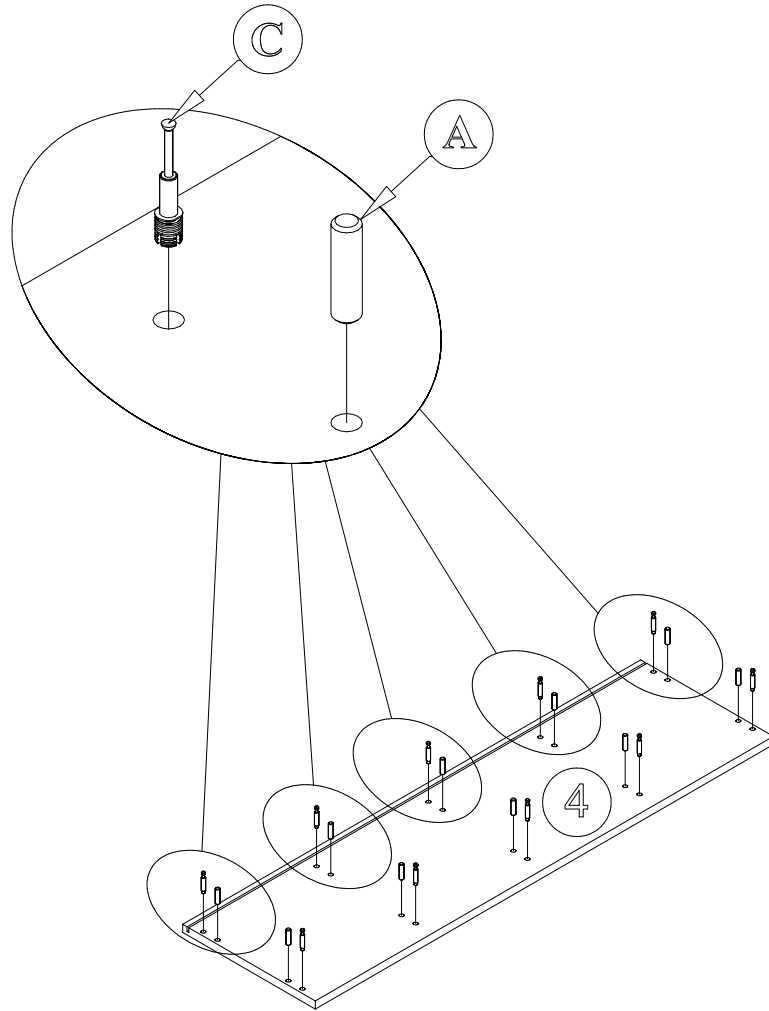
8



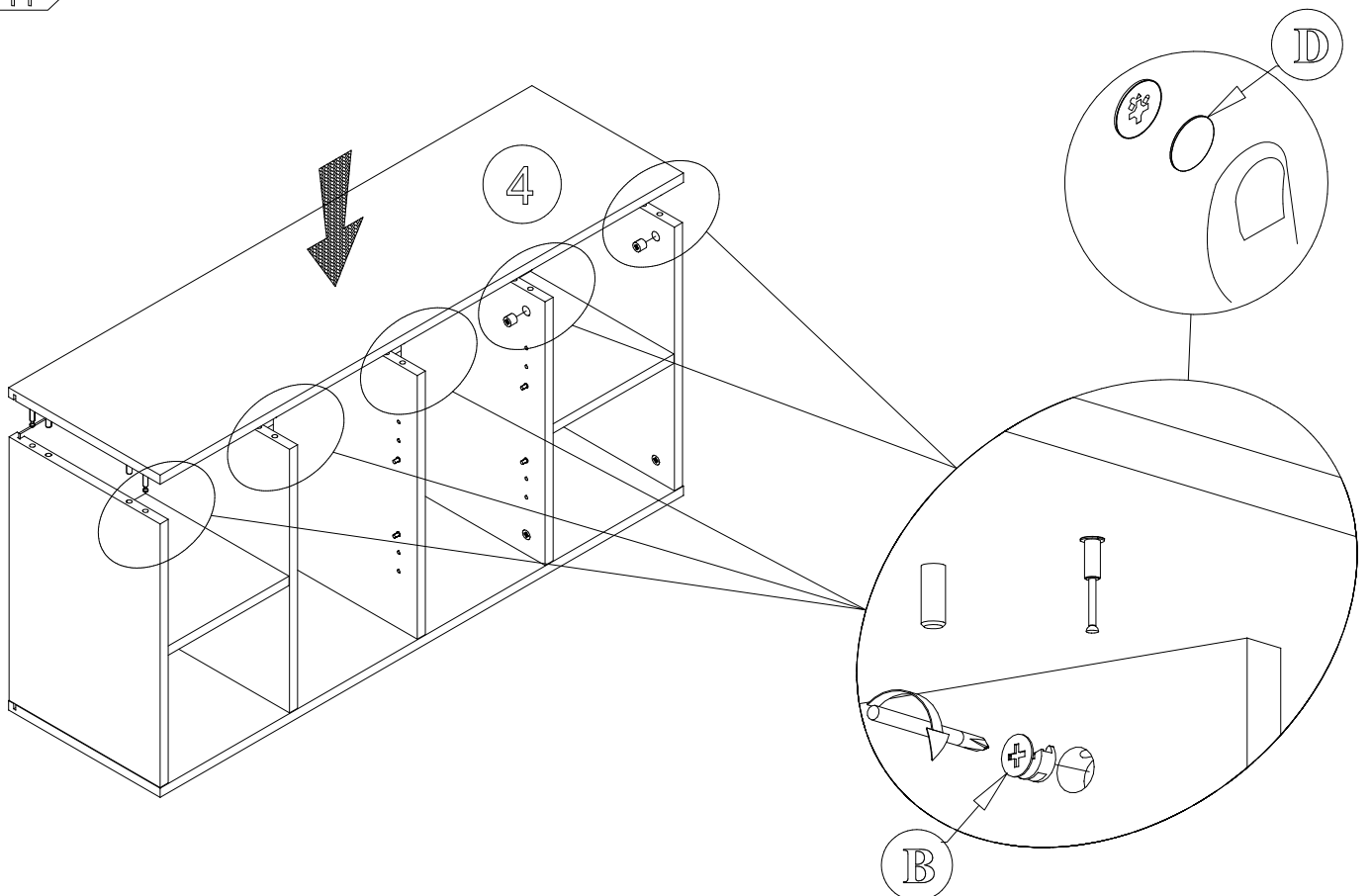
9



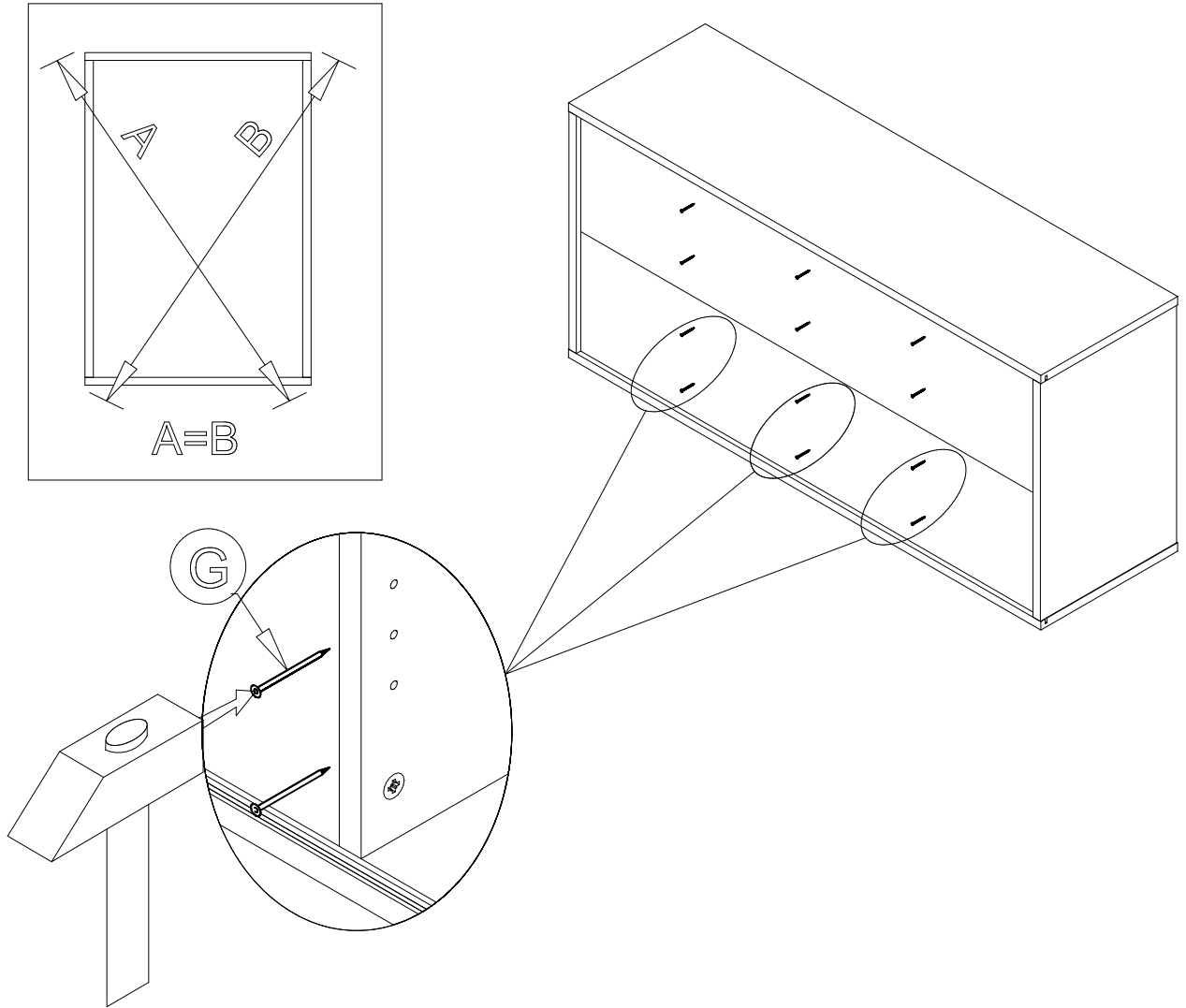
10



11



12



13

