





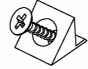
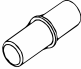












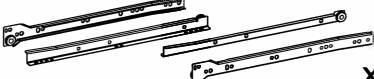





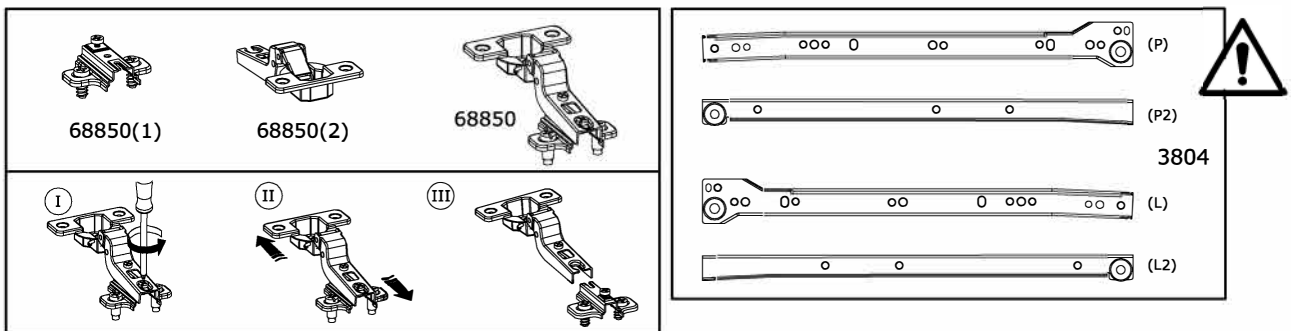
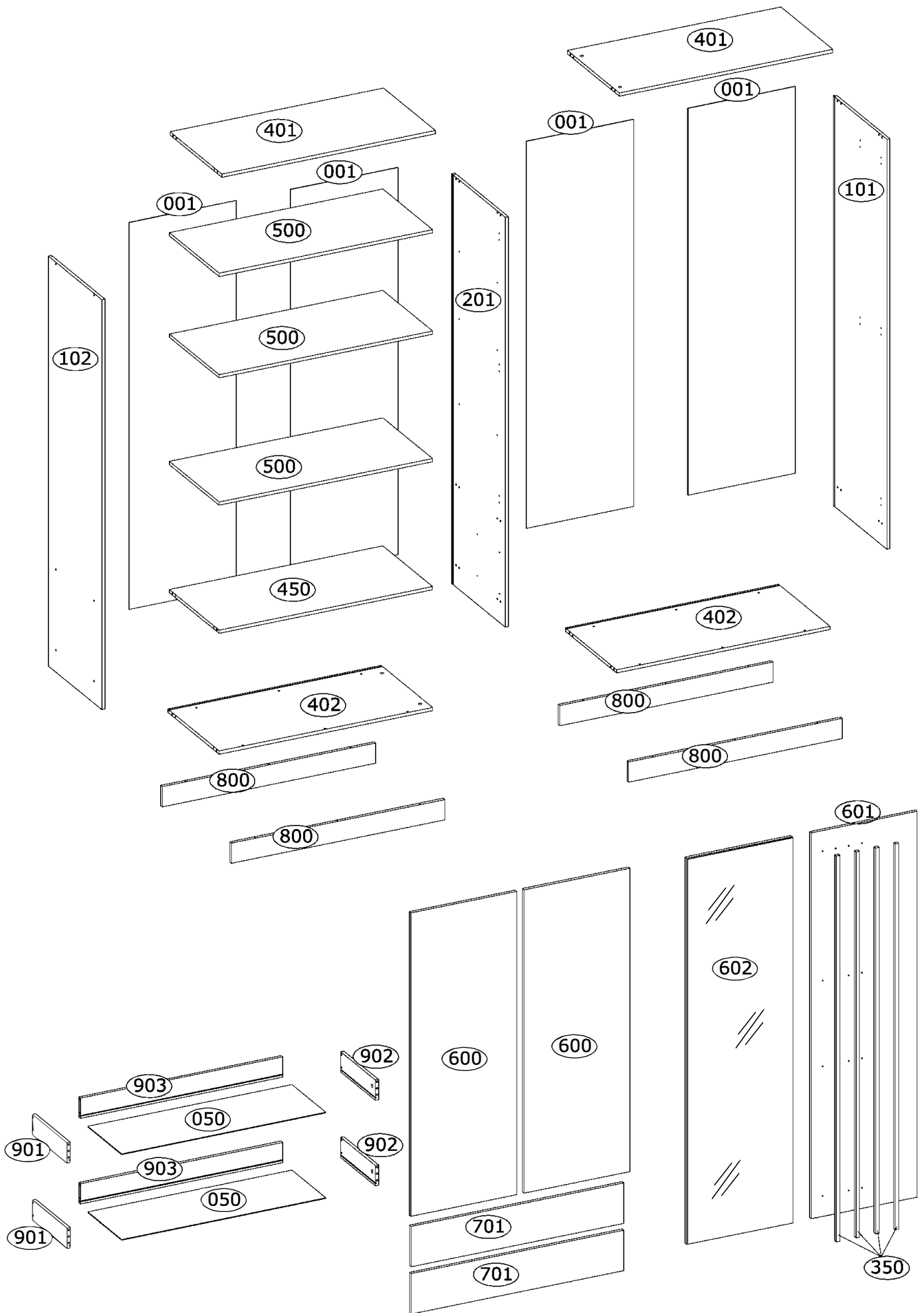




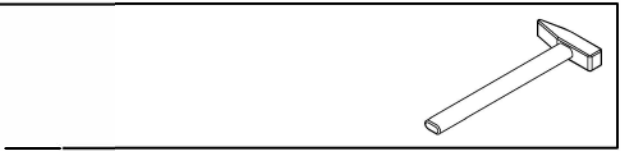
A Ø8x30 mm  x20 3989	B Ø8x50 mm  x4 3991	C Ø8x50 mm  x8 3991	D Ø6,5x36,5 mm  x4 4066	E Ø15x12 mm  x12 3996
F Ø6,5x76 mm  x4 4062	G 15x14x11 mm  x20 4044	H Ø5x16 mm  x16 4017	I Ø3,5x16 mm  x50 3918	J Ø6,0x13 mm  x8 3877
K Ø3,0x20 mm  x22 3914	L Ø4,0x25 mm  x16 145556	M Ø6,4x50mm  x24 3884	N 4 mm  x1 3984	O  x14 70313
P 42x17x20 mm  x4 4069	R 75x15x32 mm  x2 71900	S Ø20 mm  x2 136239	T Ø20 mm  x4 136239	U Ø10 mm  x10 142727
W L-350mm  x2 kpl 3804	X Ø35 mm , KR15  x12 68850	Y L-120 mm  x3 209928	Z L-1068 mm  x2 72529	
A1 L-332 mm  x2 67701	B1 L-1890 mm  x2 217025			



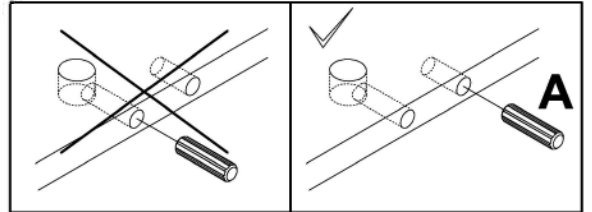
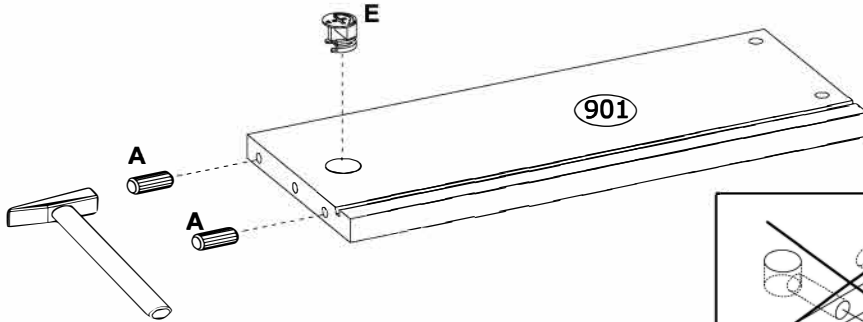
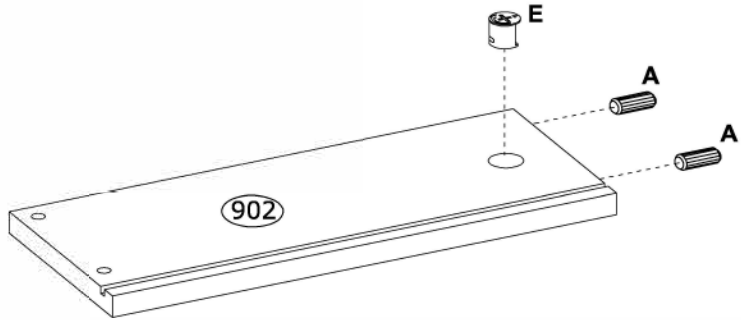


1


A Ø8x30 mm  x8 3989	E Ø15x12 mm  x4 3996
---	--

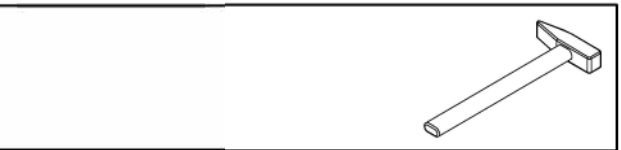


2x

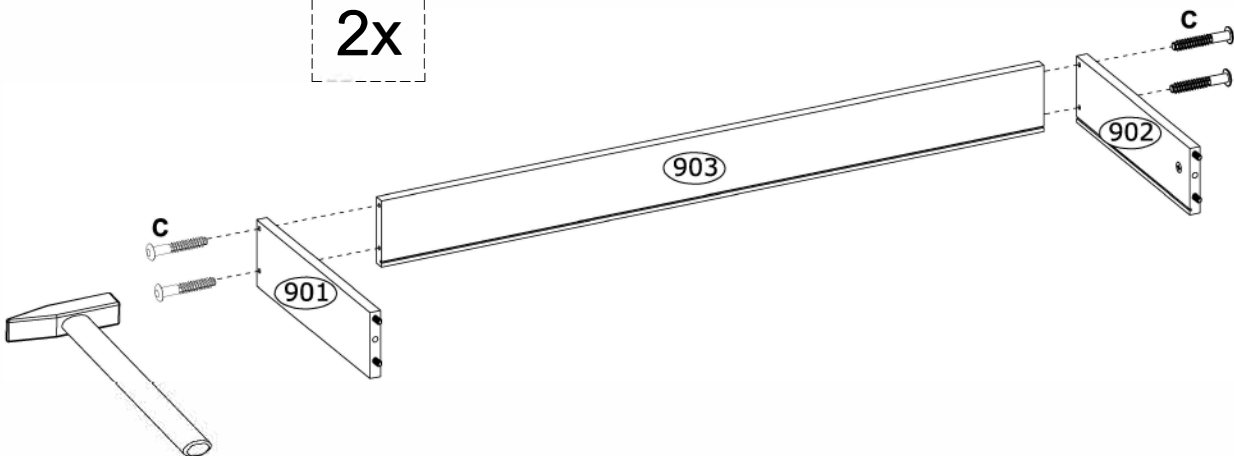


2

C Ø8x50 mm  x8 3991

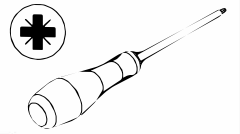


2x

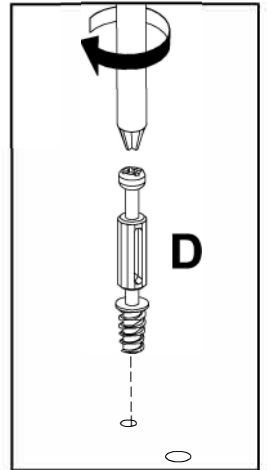
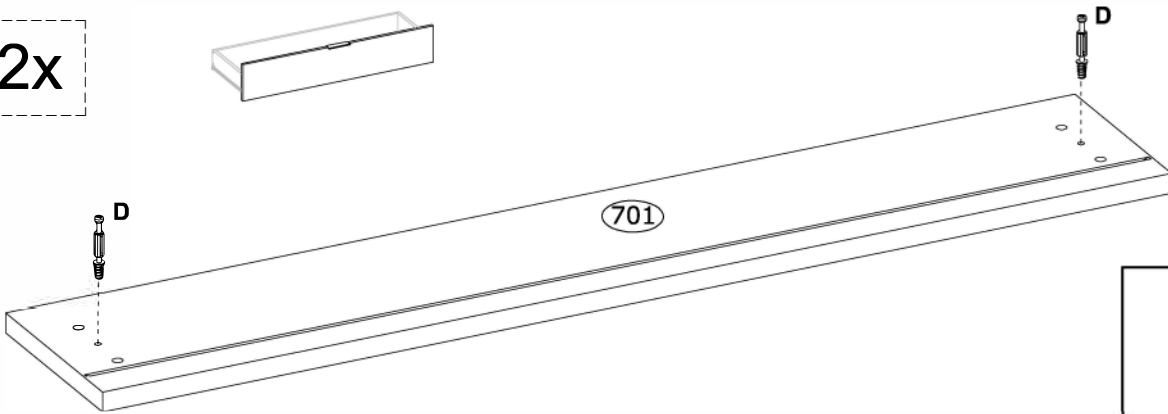


3

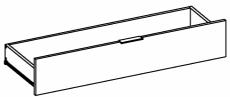
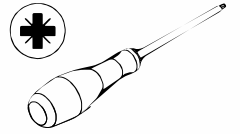
D
Ø6,5x36,5 mm
x4
4066



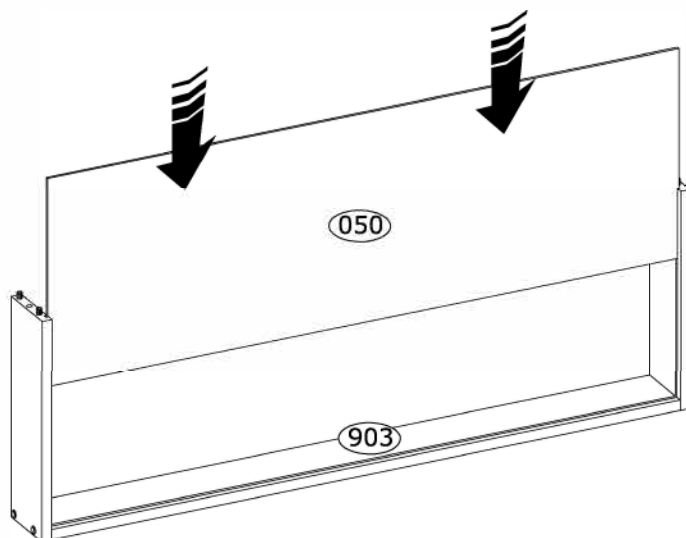
2x



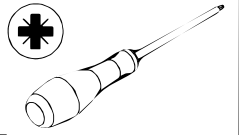
4



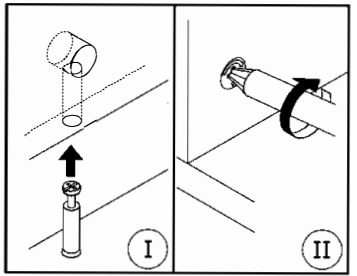
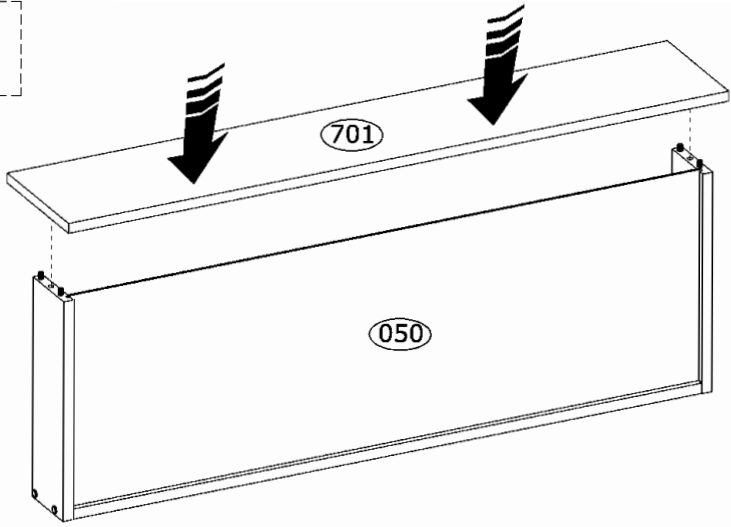
2x



5

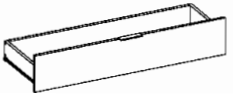
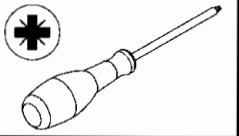


2x

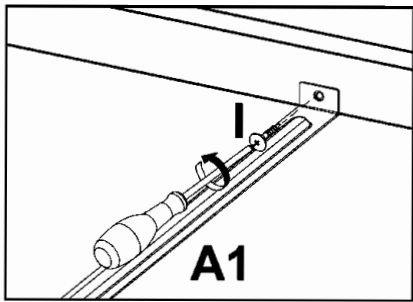
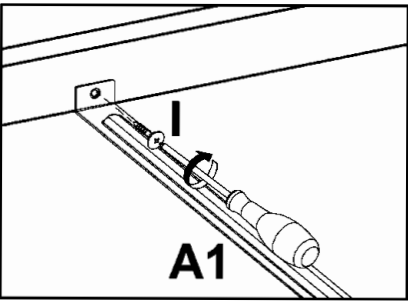
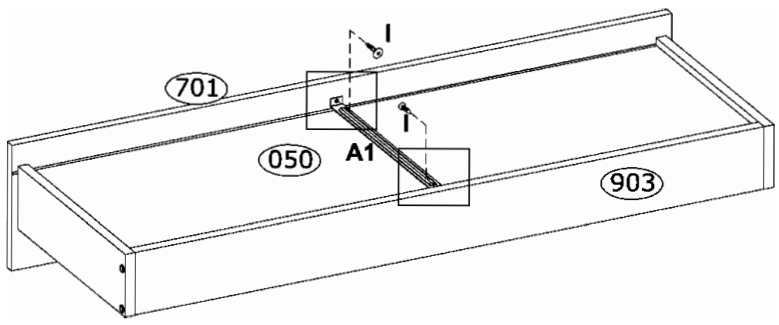


6



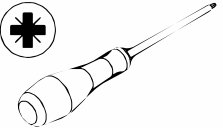
A1 L-332 mm x2 67701	I Ø3,5x16 mm x4 3918
--	--



2x

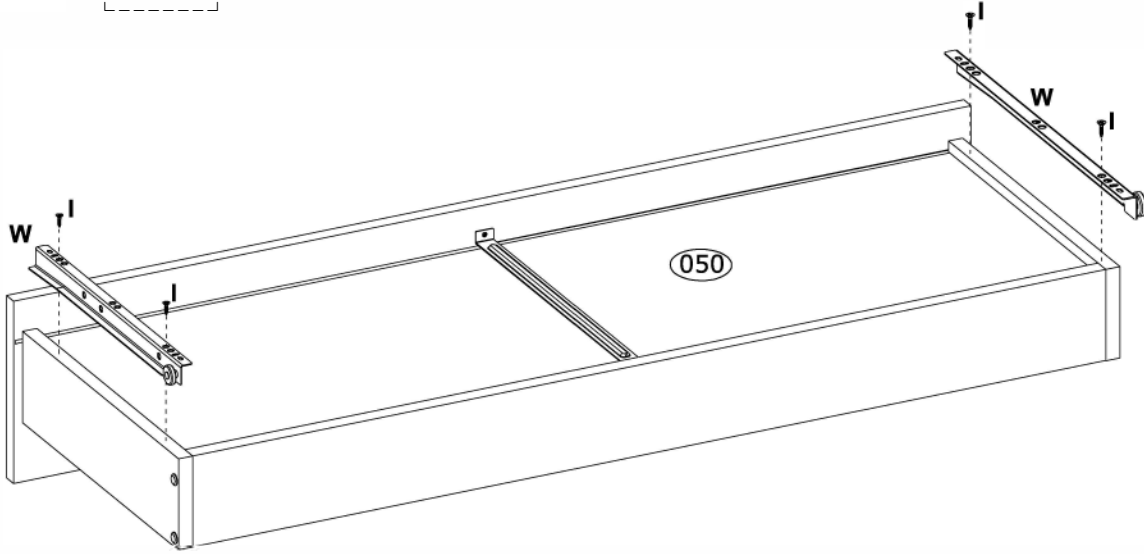


7


W  L-350mm x2 kpl 3804	I  Ø3,5x16 mm x8 3918	
---	---	--



2x

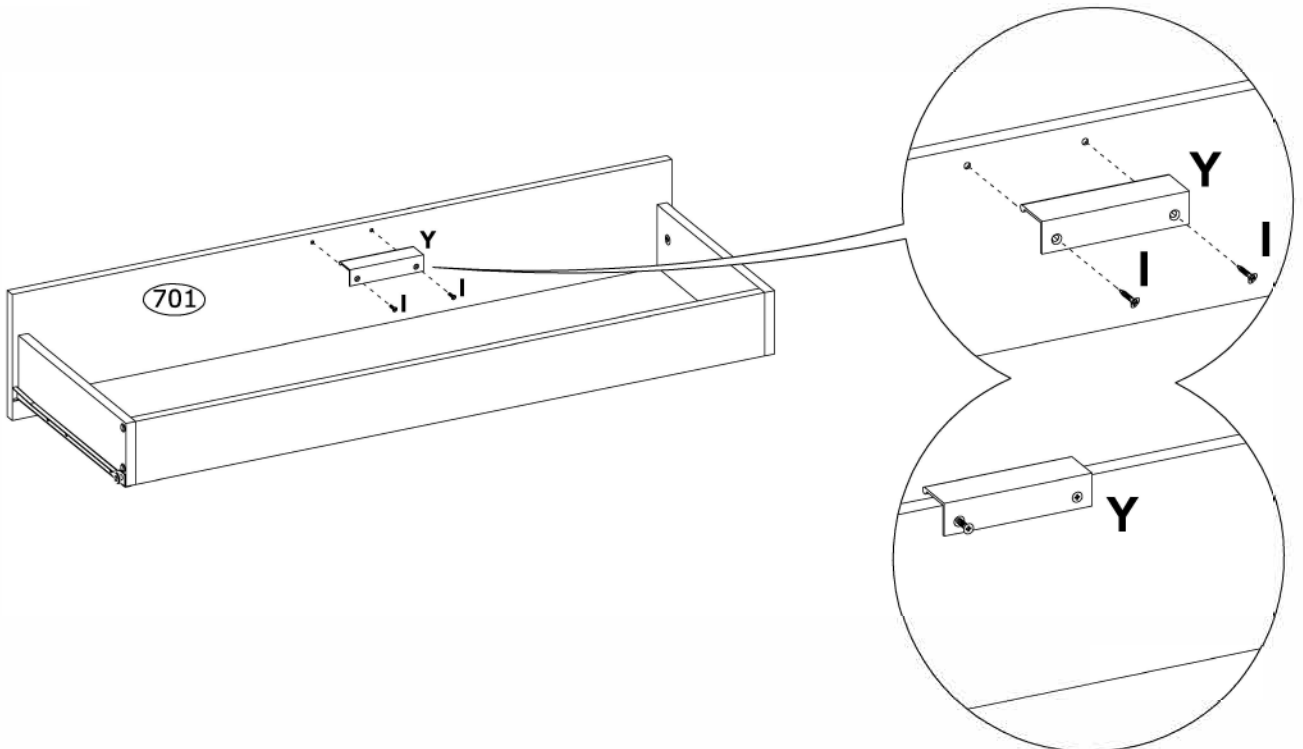


8



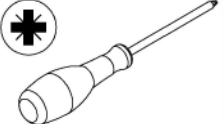
Y  L-120 mm x2 209928	I  Ø3,5x16 mm x4 3918	
---	---	---

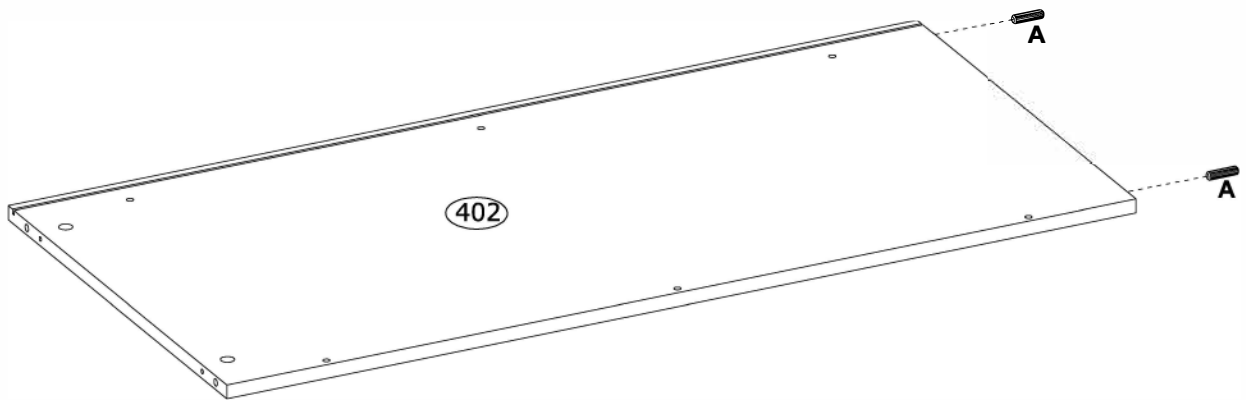
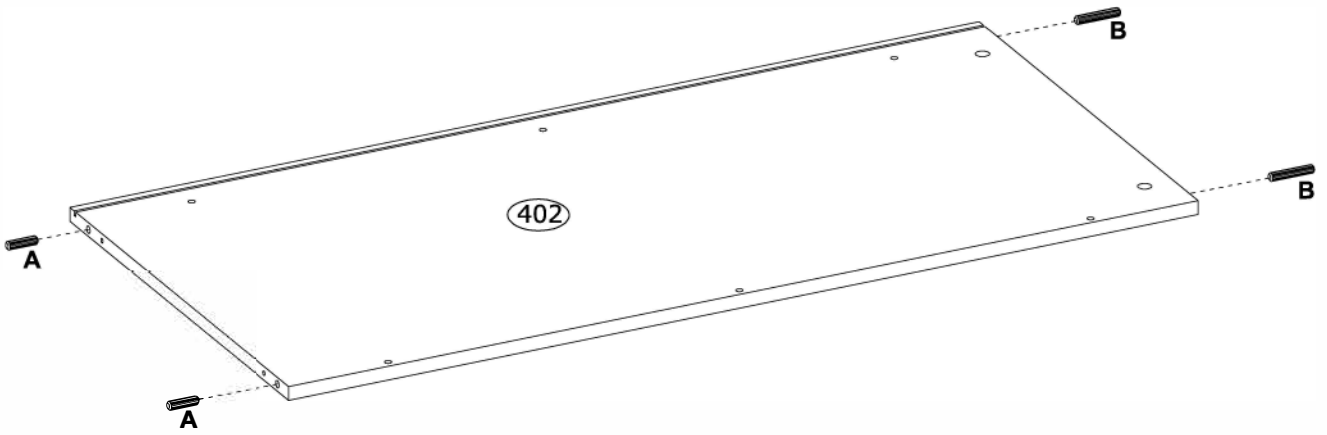


2x



9

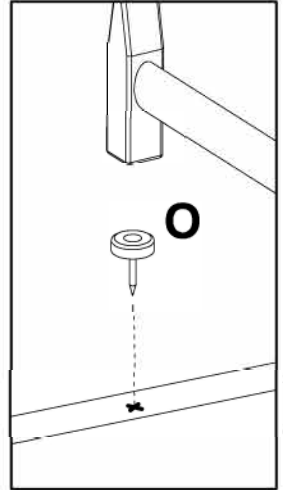
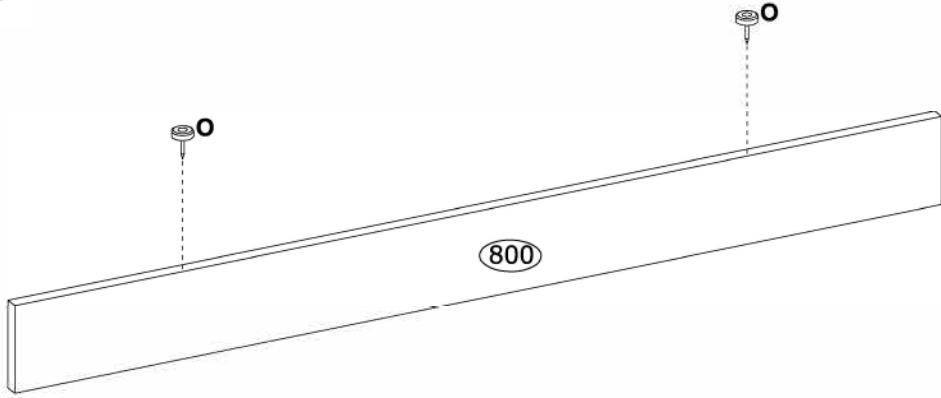
A Ø8x30 mm  x4 3989	B Ø8x50 mm  x2 3991	
---	---	--



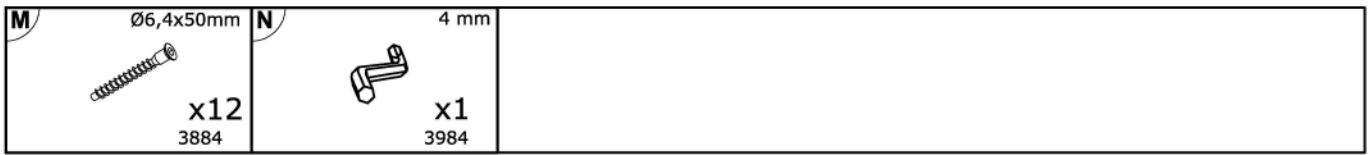
10



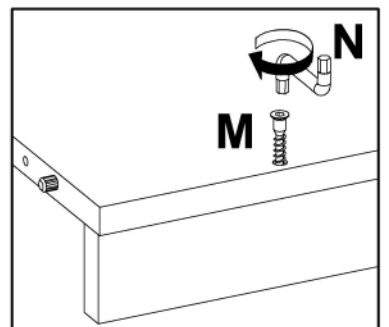
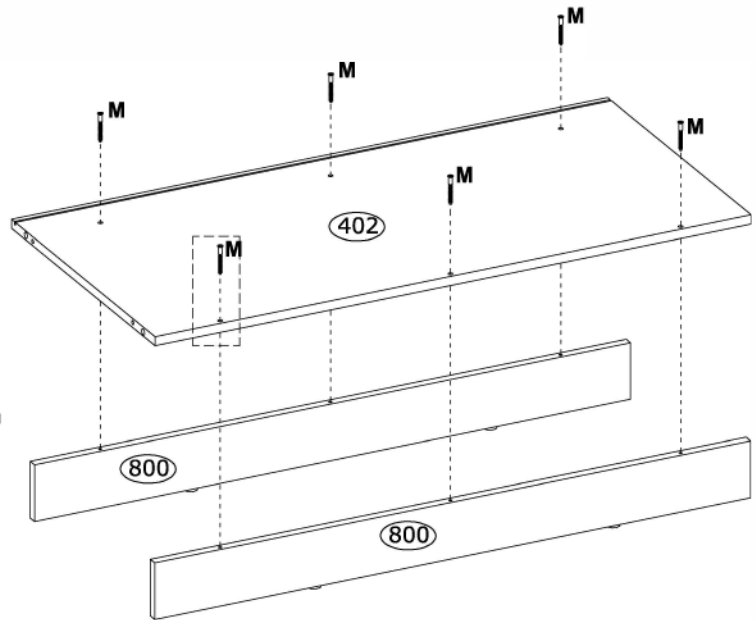
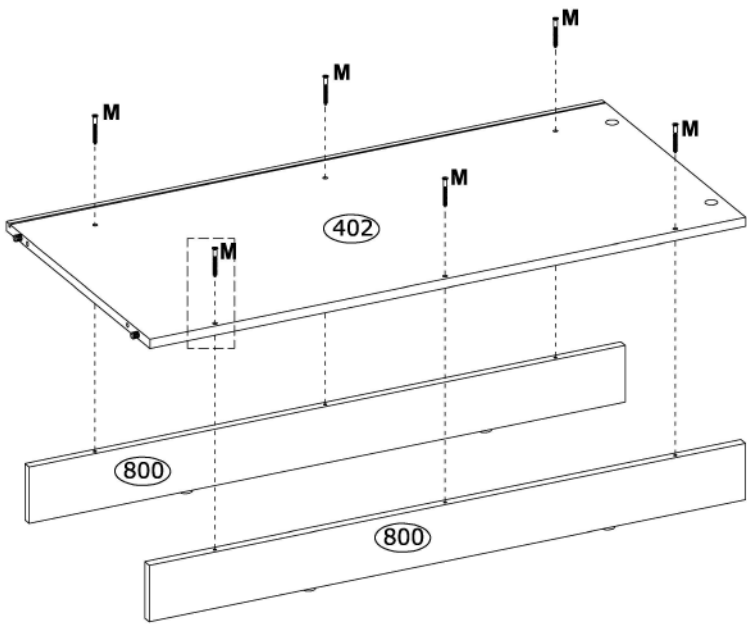
4x




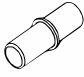




11

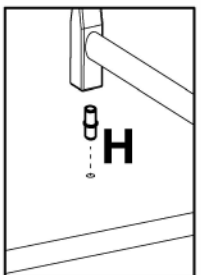
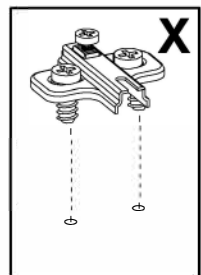
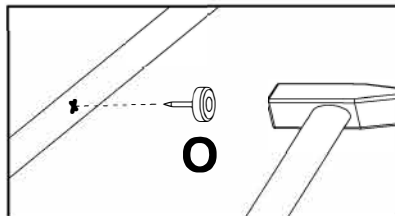
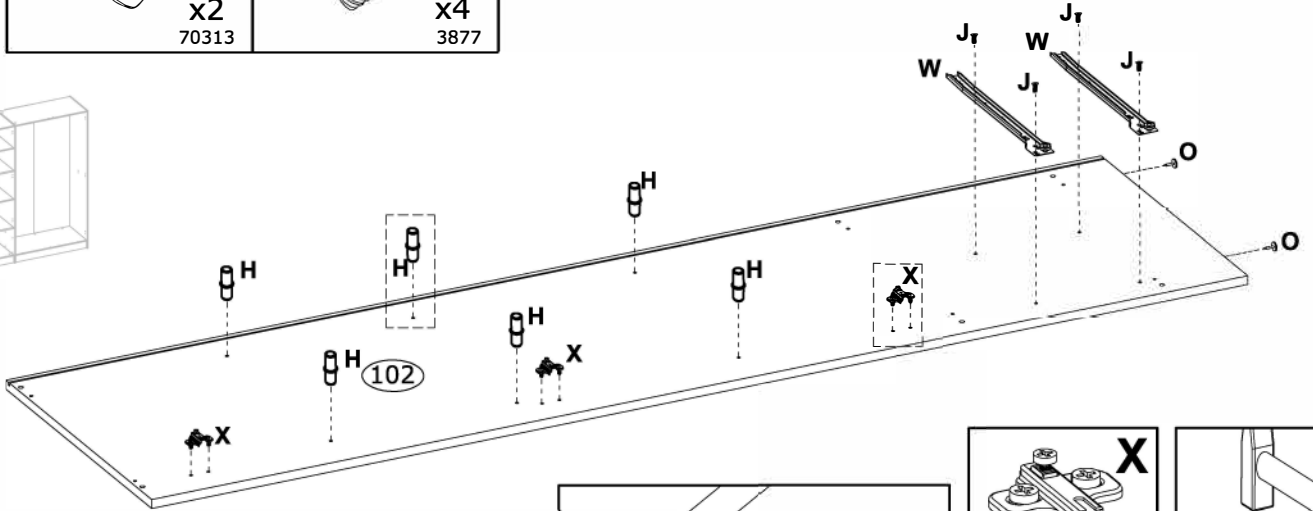


2x





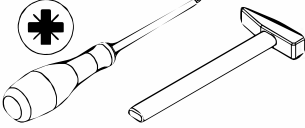



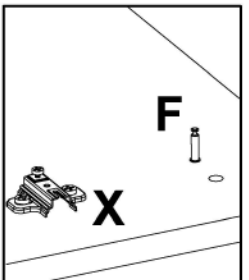
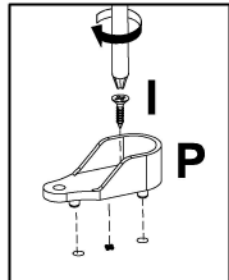
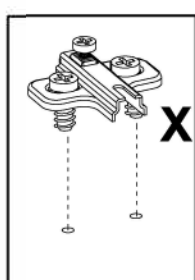
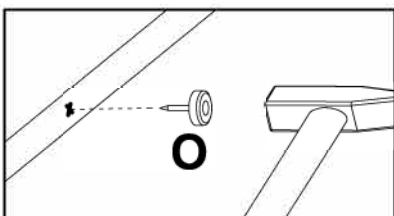
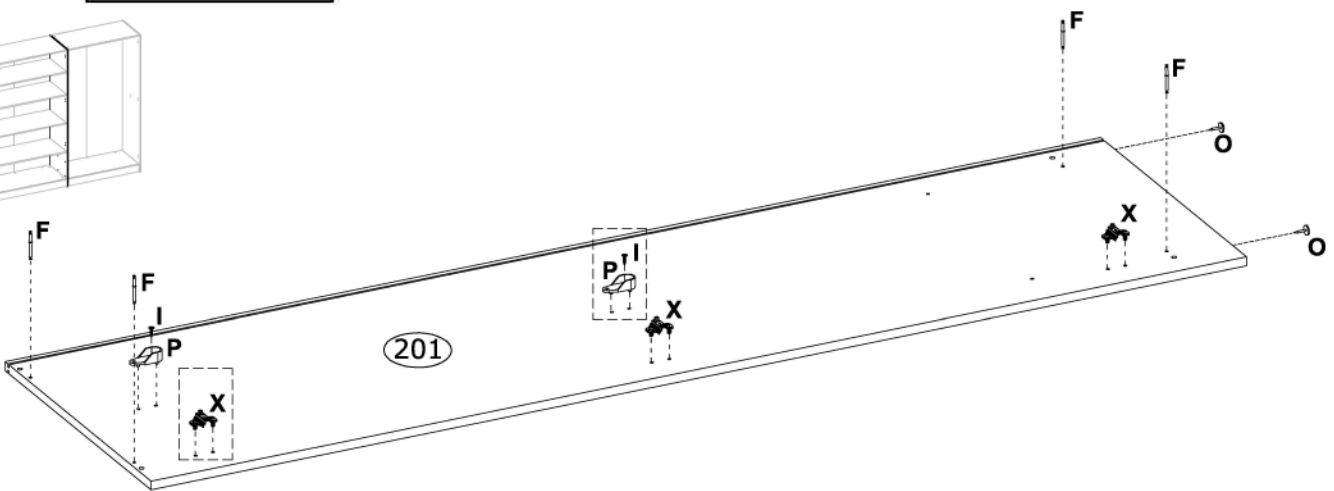
12

<p>W L-350mm  x2 kpl 3804</p>	<p>H Ø5x16 mm  x6 4017</p>	<p>X Ø35 mm , KR15  x3 68850</p>	
<p>O  x2 70313</p>	<p>J Ø6,0x13 mm  x4 3877</p>		



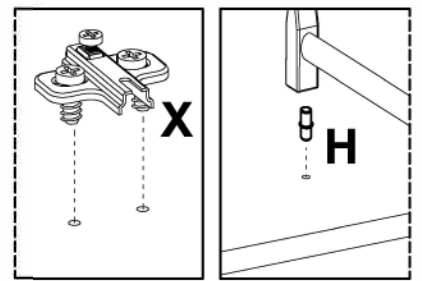
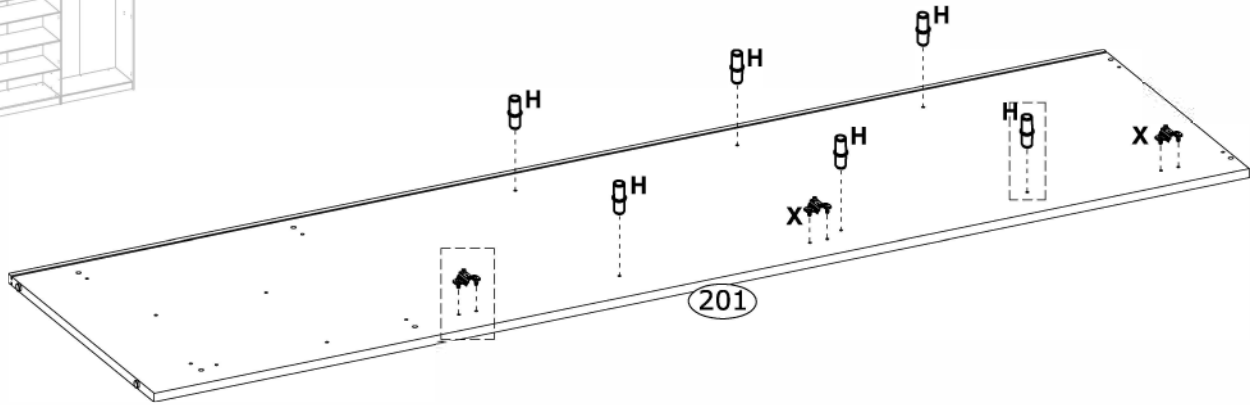
13

<p>F Ø6,5x76 mm  x4 4062</p>	<p>X Ø35 mm , KR15  x3 68850</p>	<p>O  x2 70313</p>	<p>I Ø3,5x16 mm  x2 3918</p>	
<p>P 42x17x20 mm  x2 4069</p>				



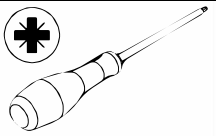


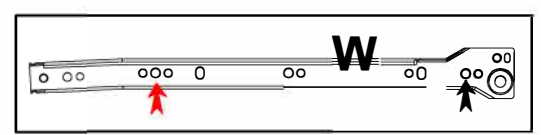
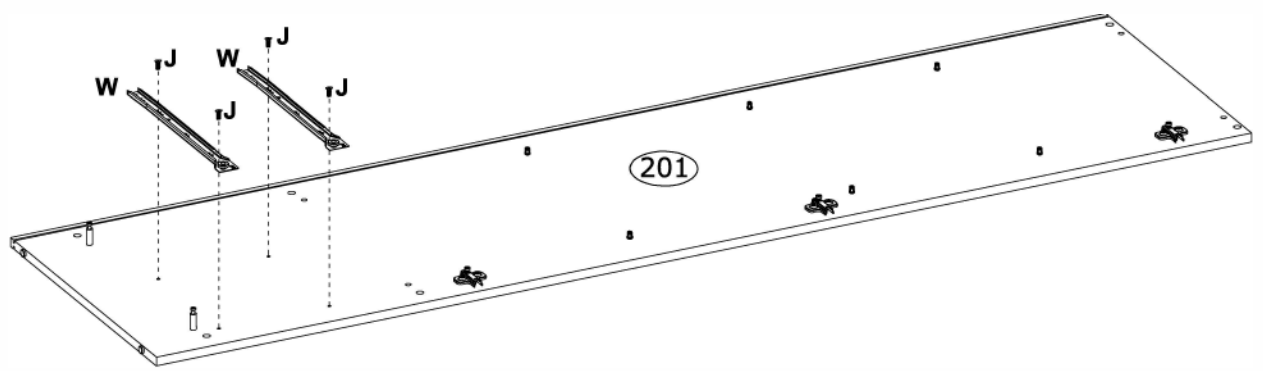
14

<p>H Ø5x16 mm x6 4017</p> 	<p>X Ø35 mm , KR15 x3 68850</p> 	
--	--	--





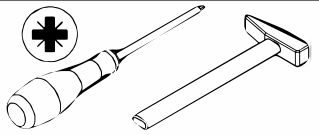


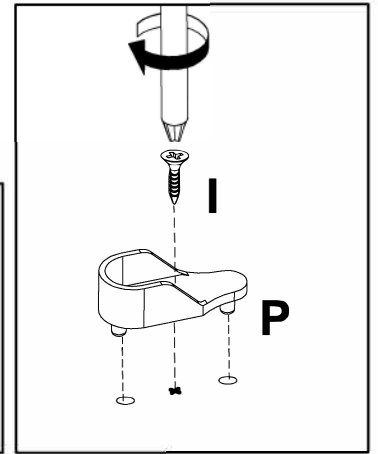
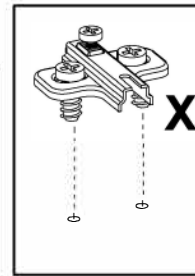
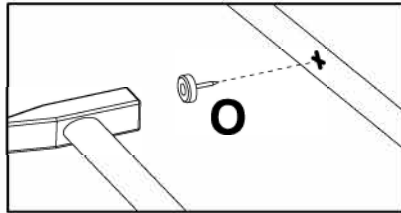
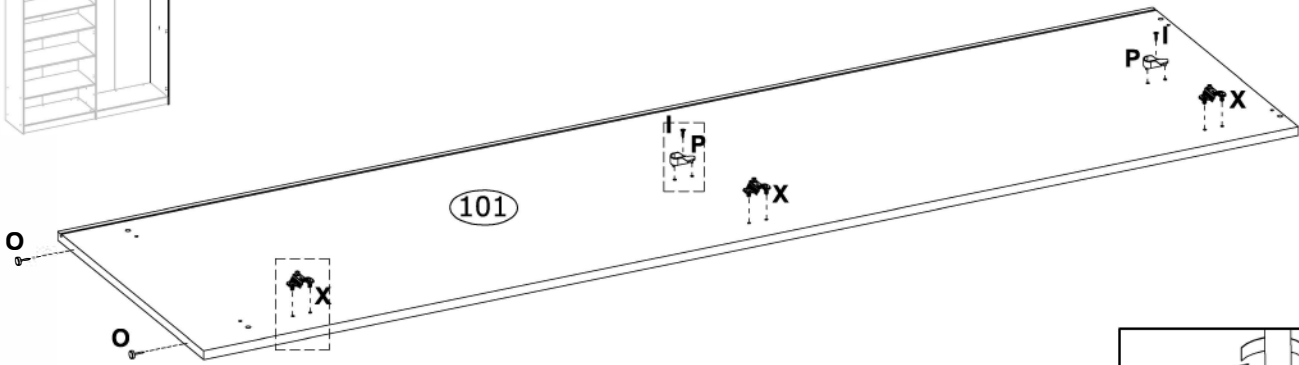
15

<p>W L-350mm x2 kpl 3804</p> 	<p>J Ø6,0x13 mm x4 3877</p> 	
---	--	---


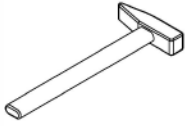


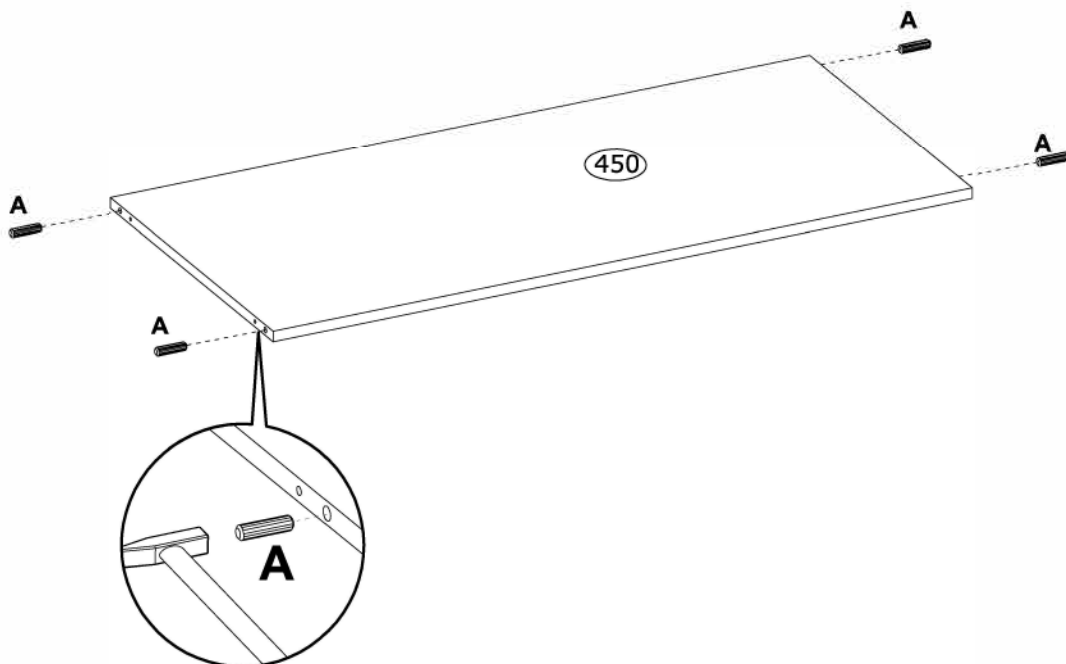
16

P 42x17x20 mm  x2 4069	X Ø35 mm , KR15  x3 68850	I Ø3,5x16 mm  x2 3918	O  x2 70313	
--	--	---	--	--




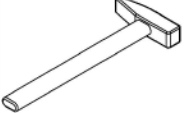


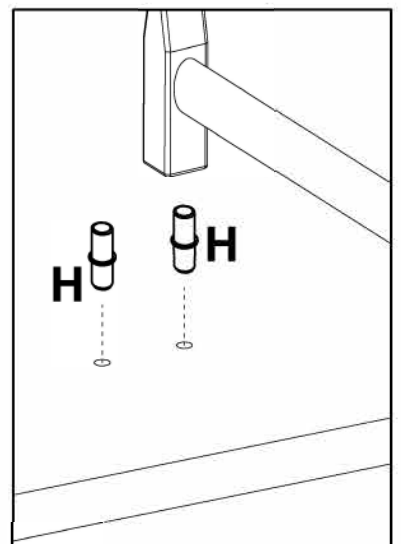
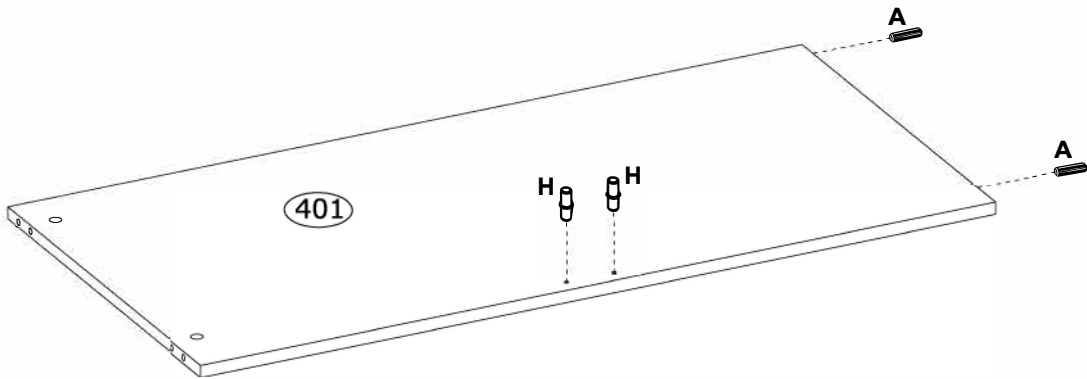
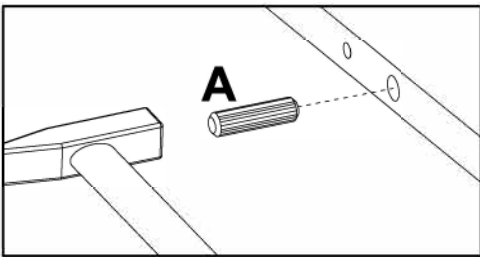
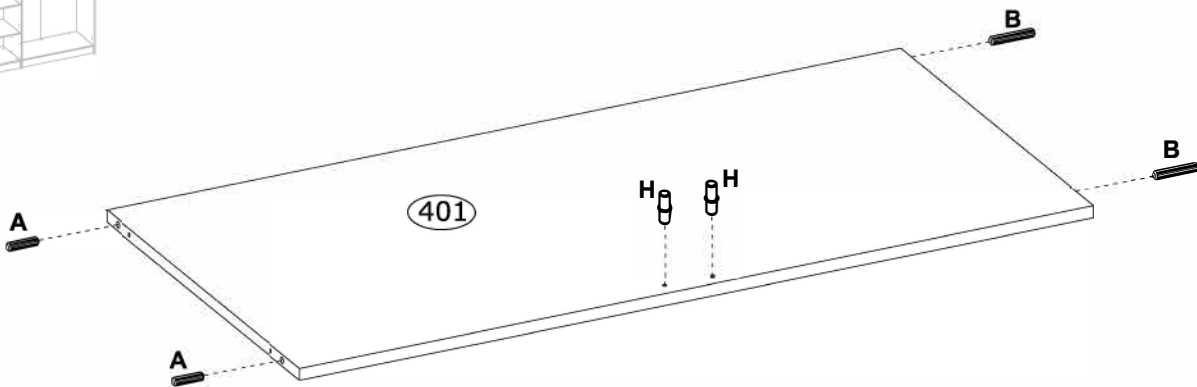
17

A Ø8x30 mm  x4 3989	
---	---


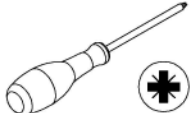



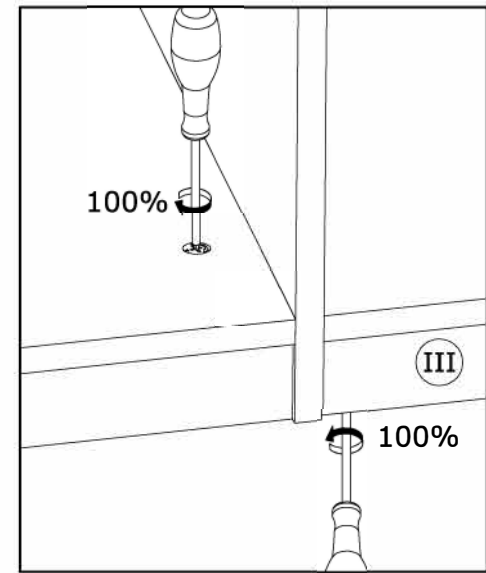
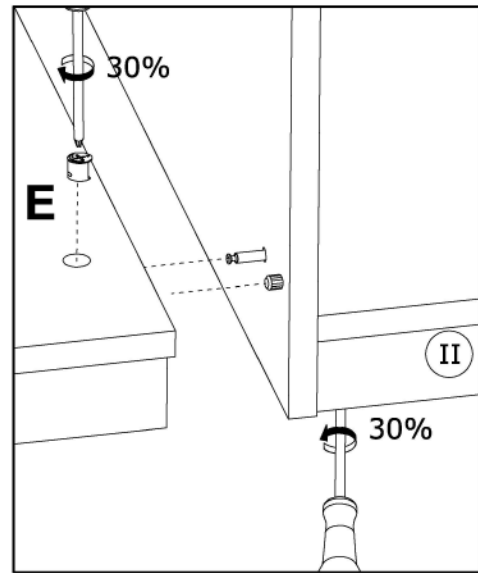
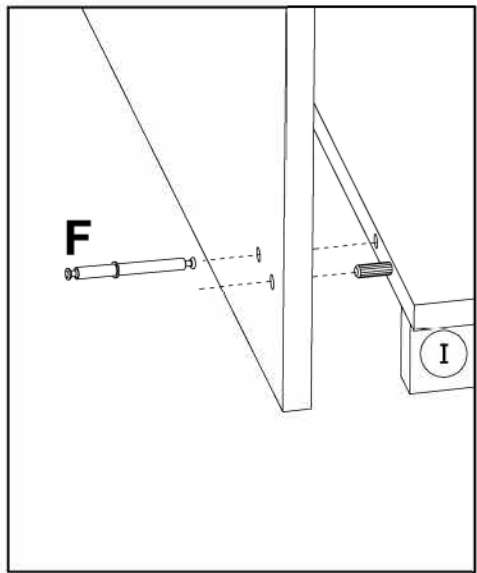
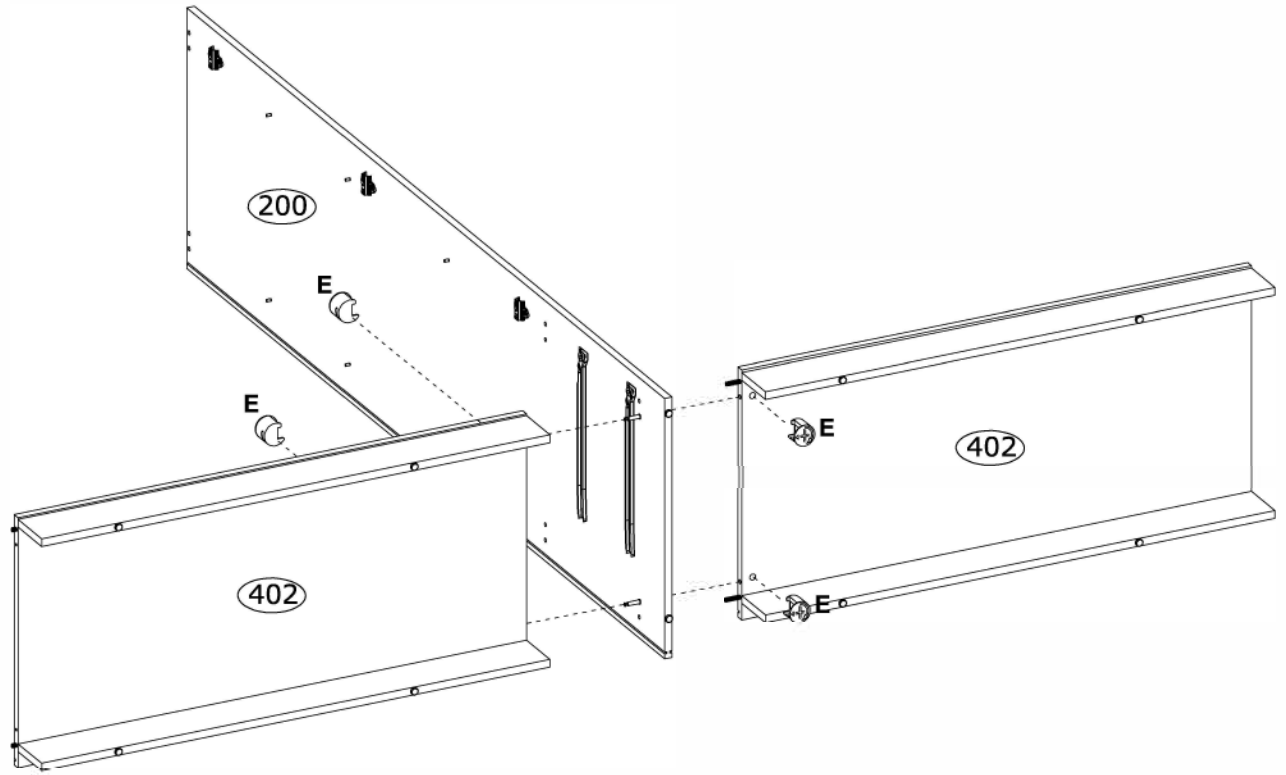
18

H Ø5x16 mm  x4 4017	A Ø8x30 mm  x4 3989	B Ø8x50 mm  x2 3991	
---	---	---	--





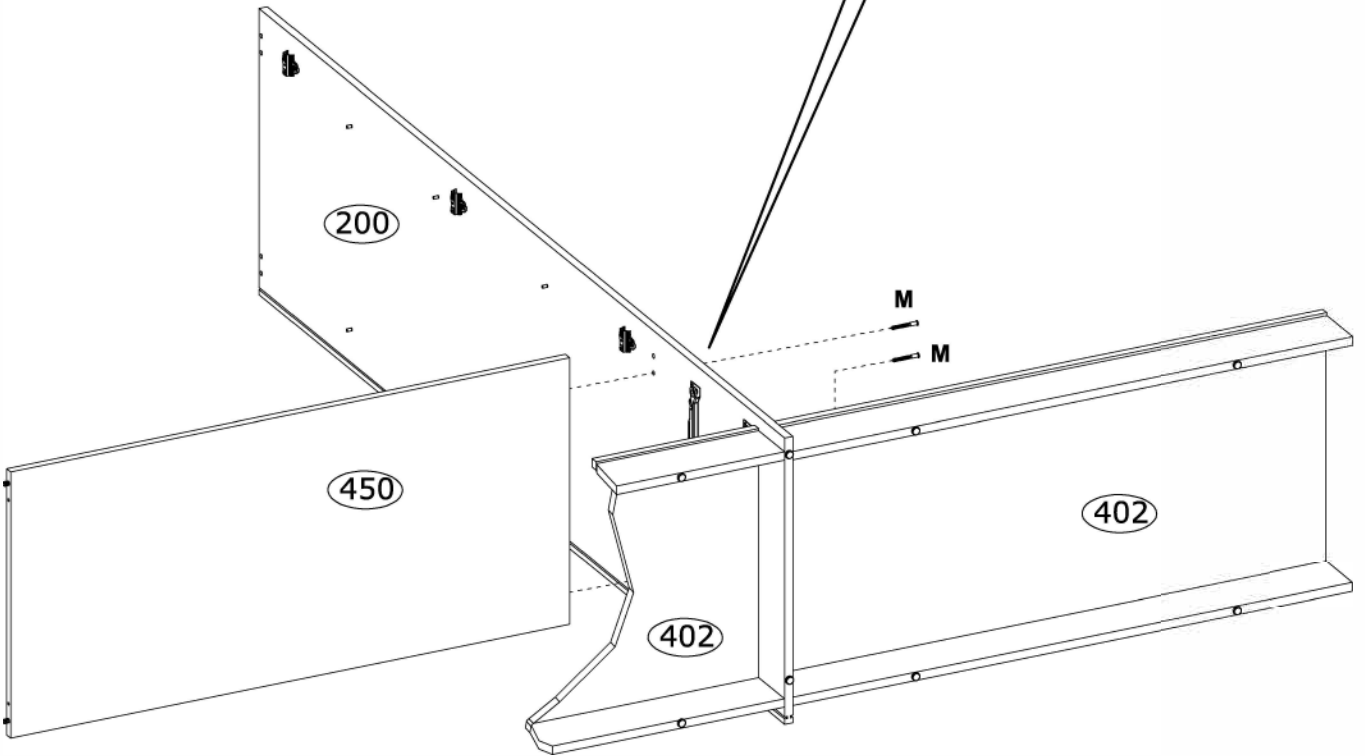
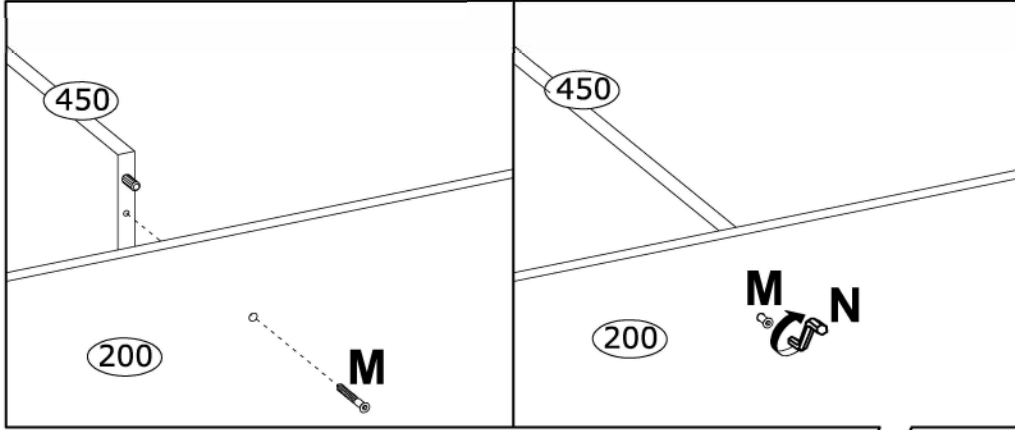
19

E	Ø15x12 mm		
	x4 3996		 



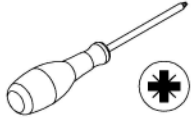


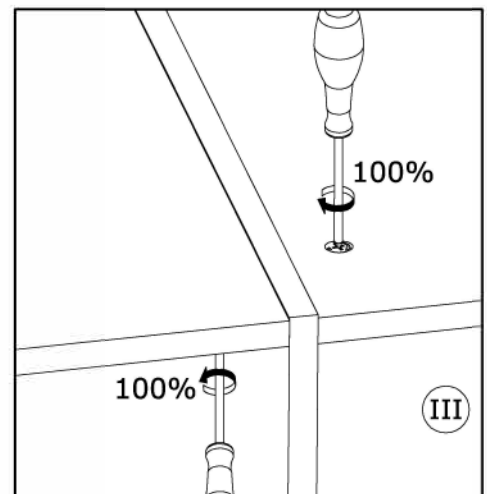
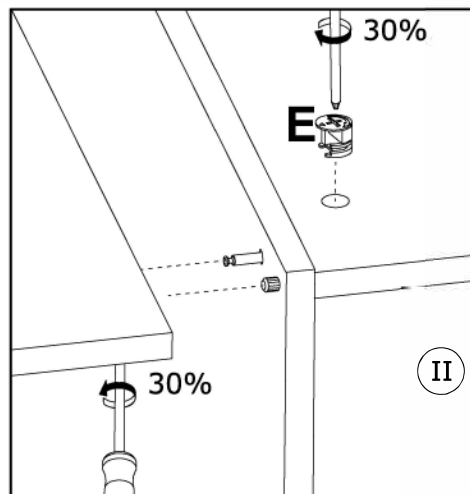
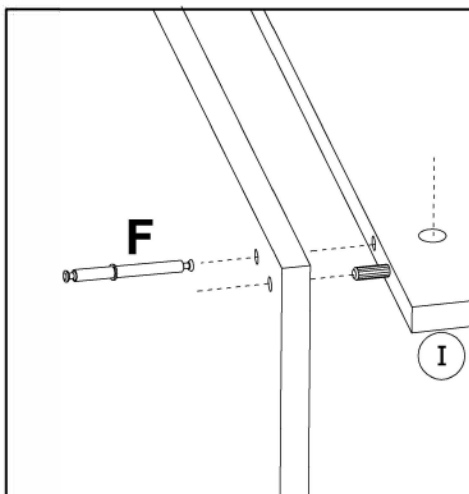
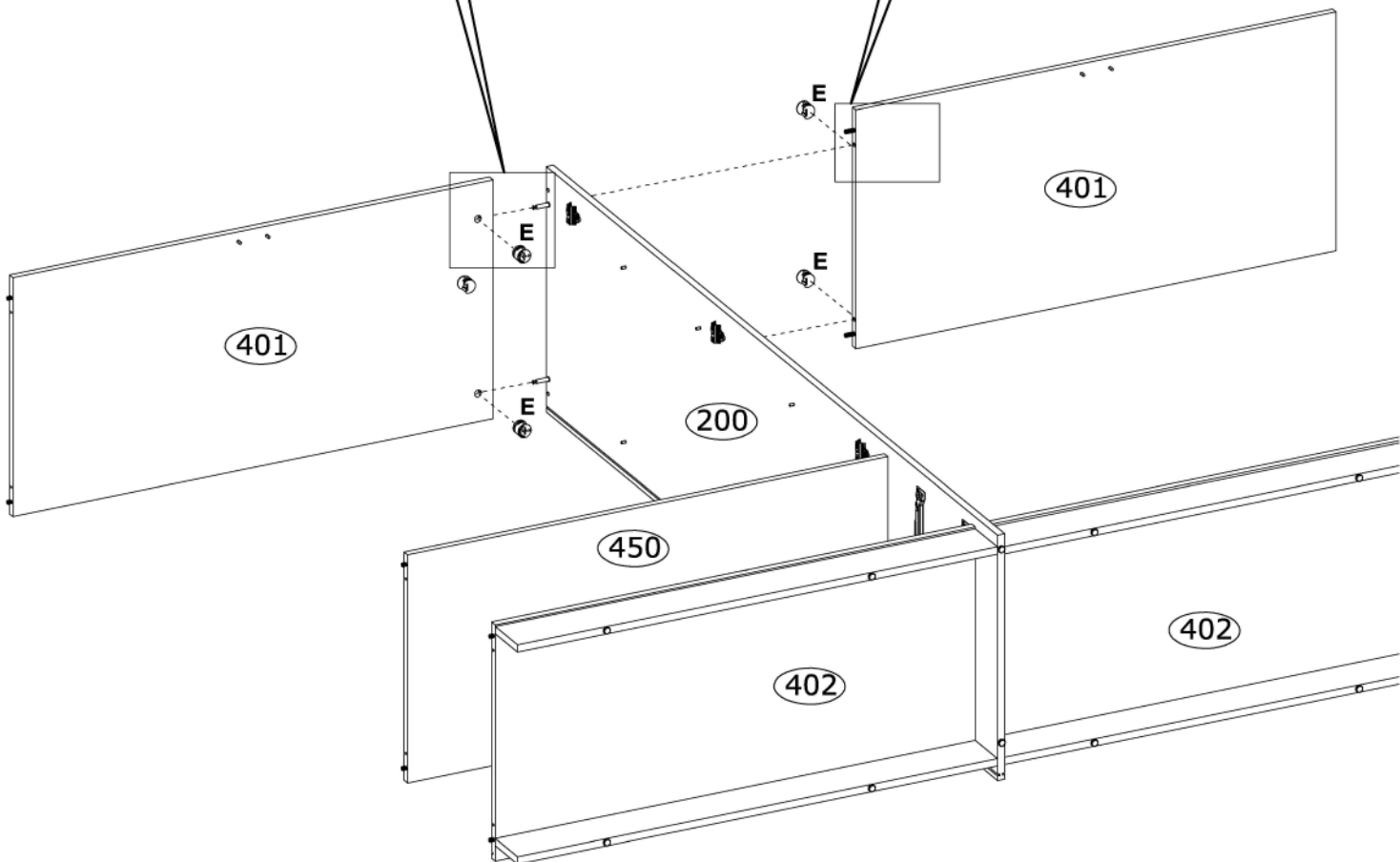
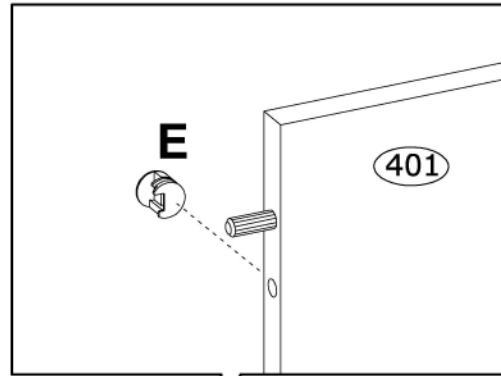
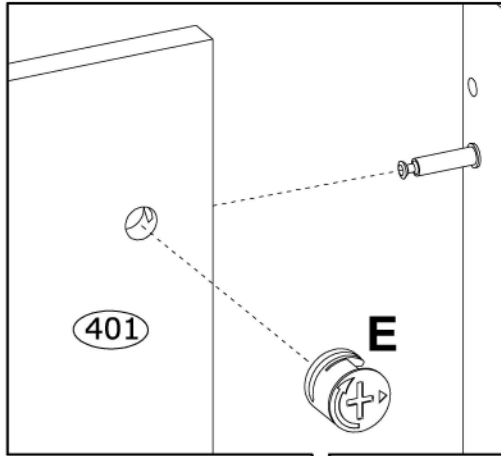
20

M Ø6,4x50mm  x2 3884	N 4 mm  x1 3984
---	--



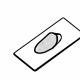


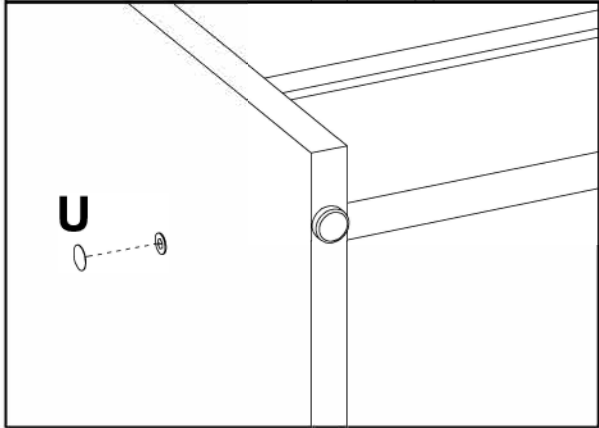
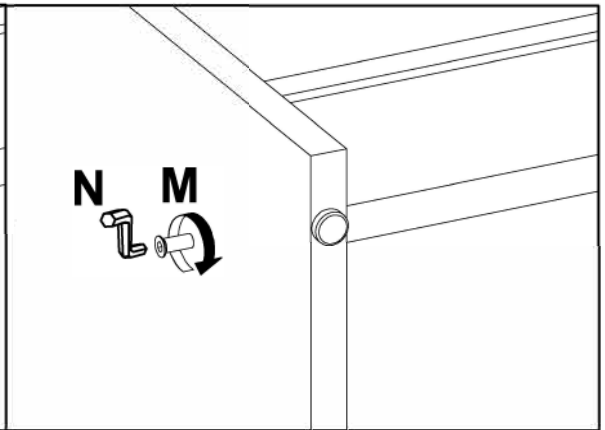
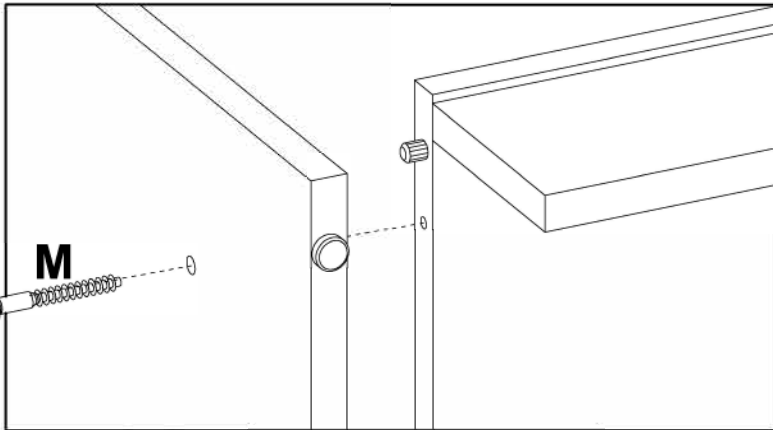
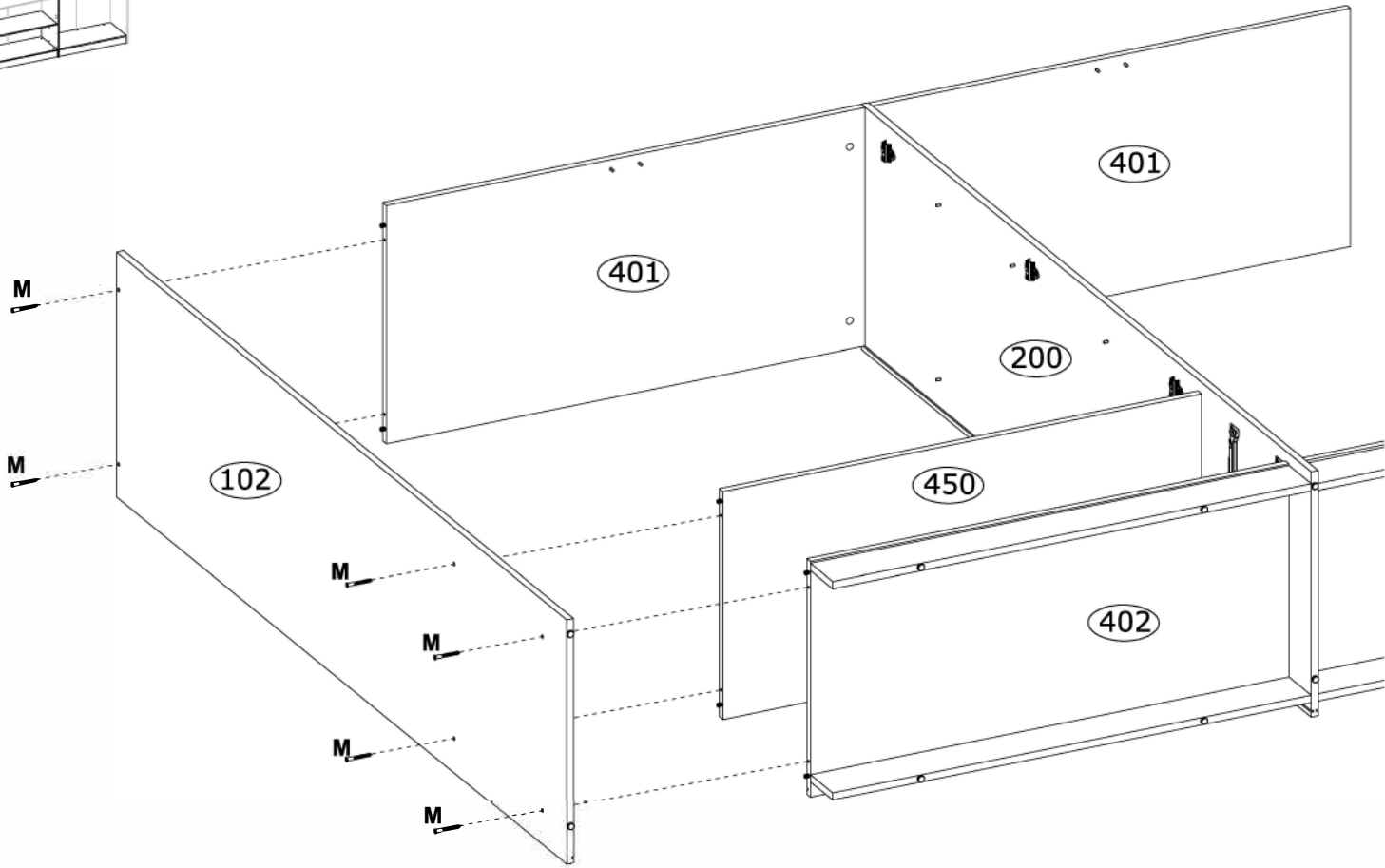
21

E Ø15x12 mm  x4 3996	T Ø20 mm  x4 136239	 
--	---	---



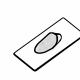


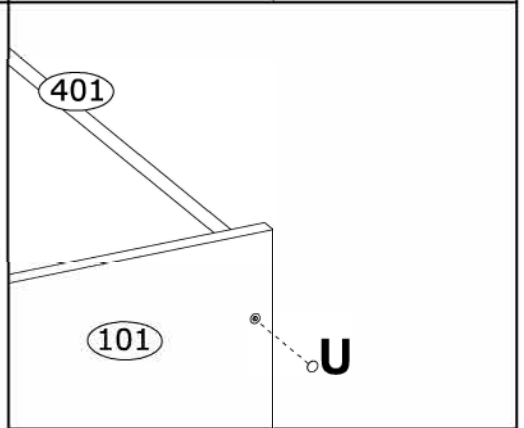
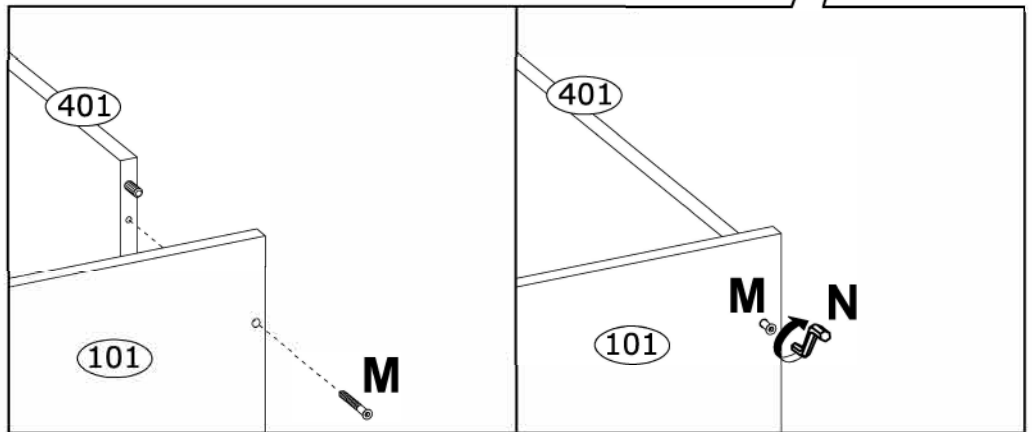
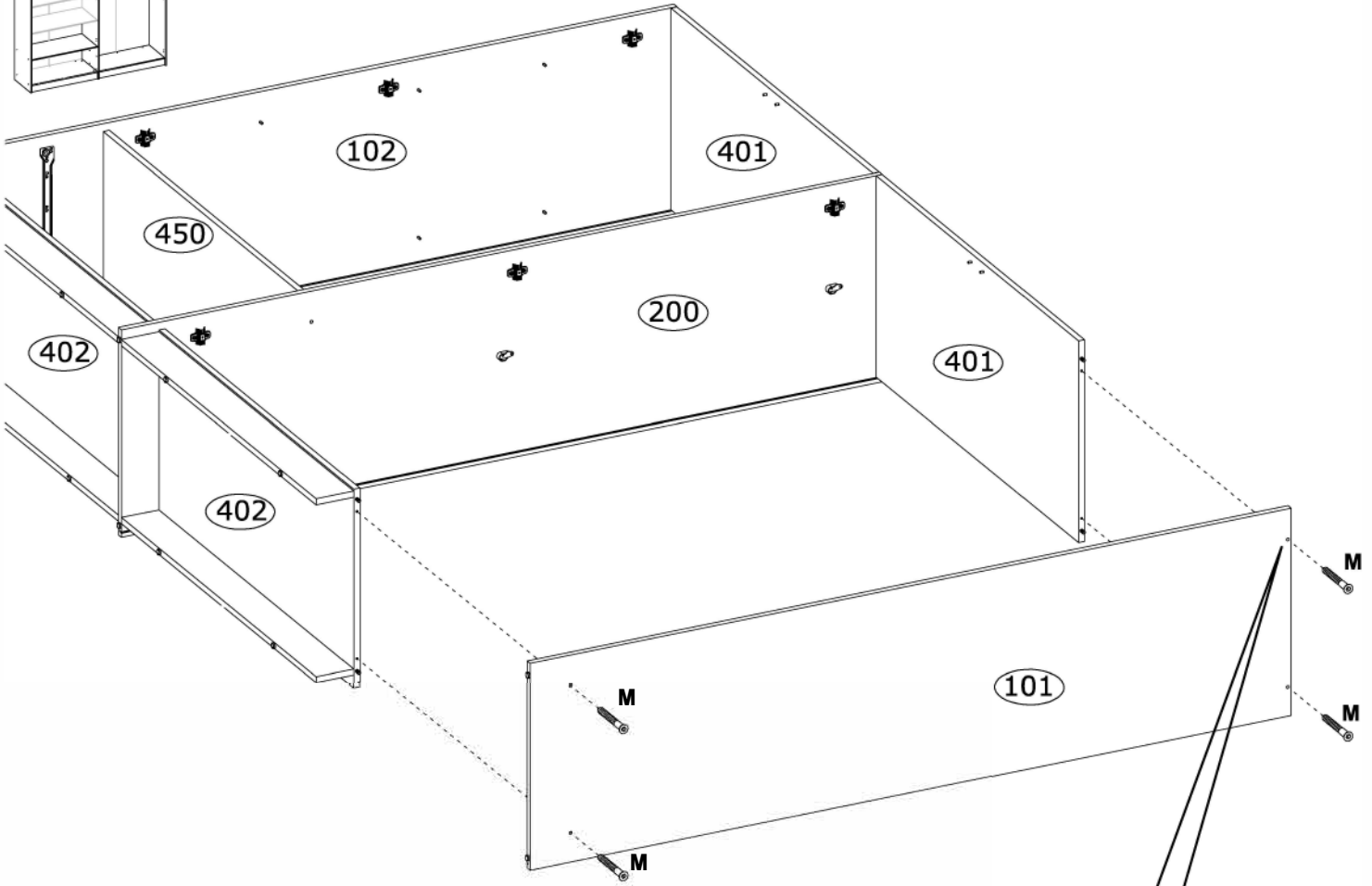
22

M Ø6,4x50mm  x6 3884	N 4 mm  x1 3984	U Ø10 mm  x6 142727	
---	--	--	--

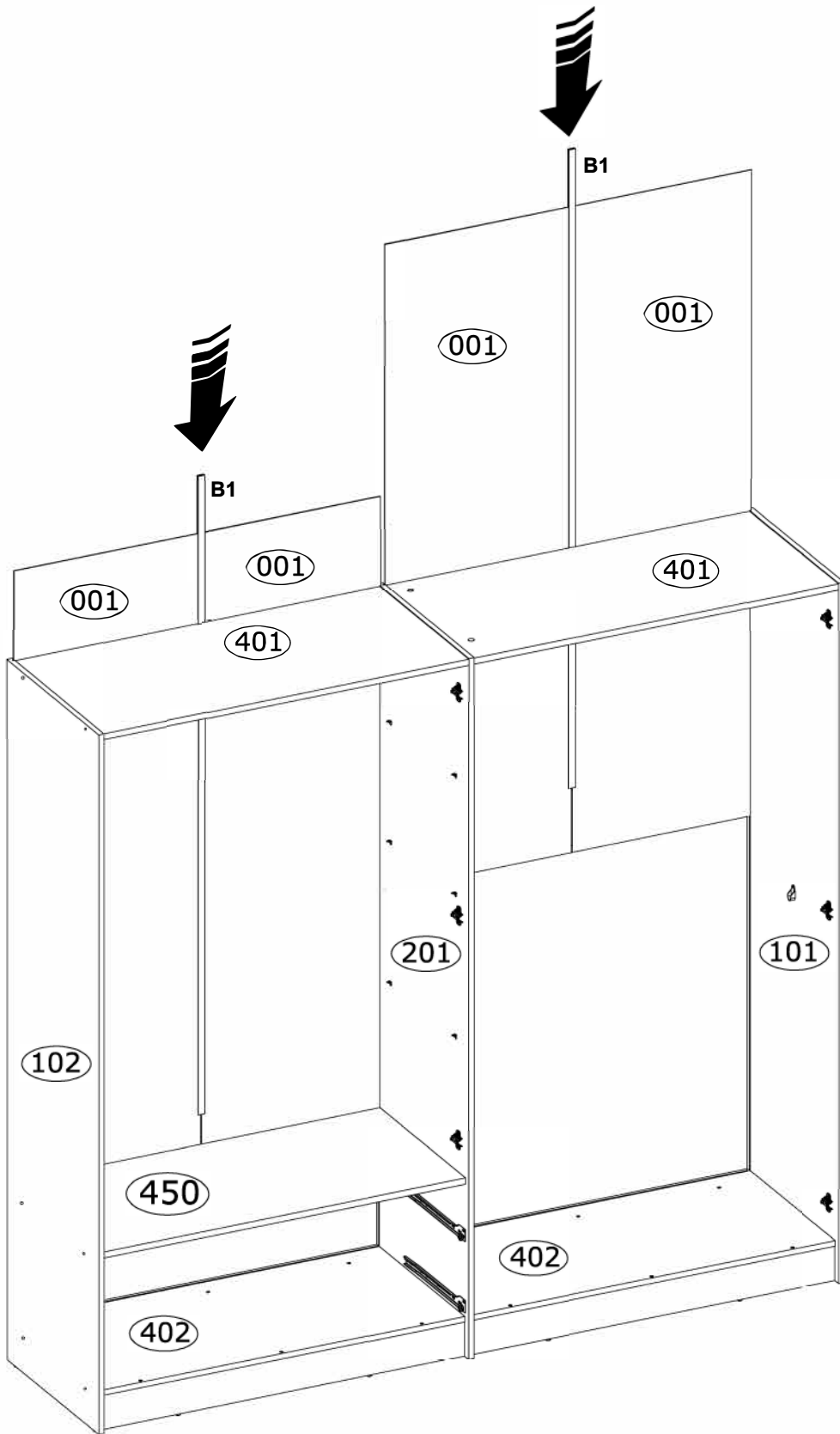
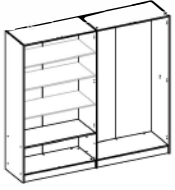


23



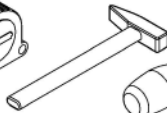
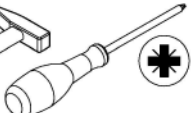
M Ø6,4x50mm  x4 3884	N 4 mm  x1 3984	U Ø10 mm  x4 142727	
---	--	--	--

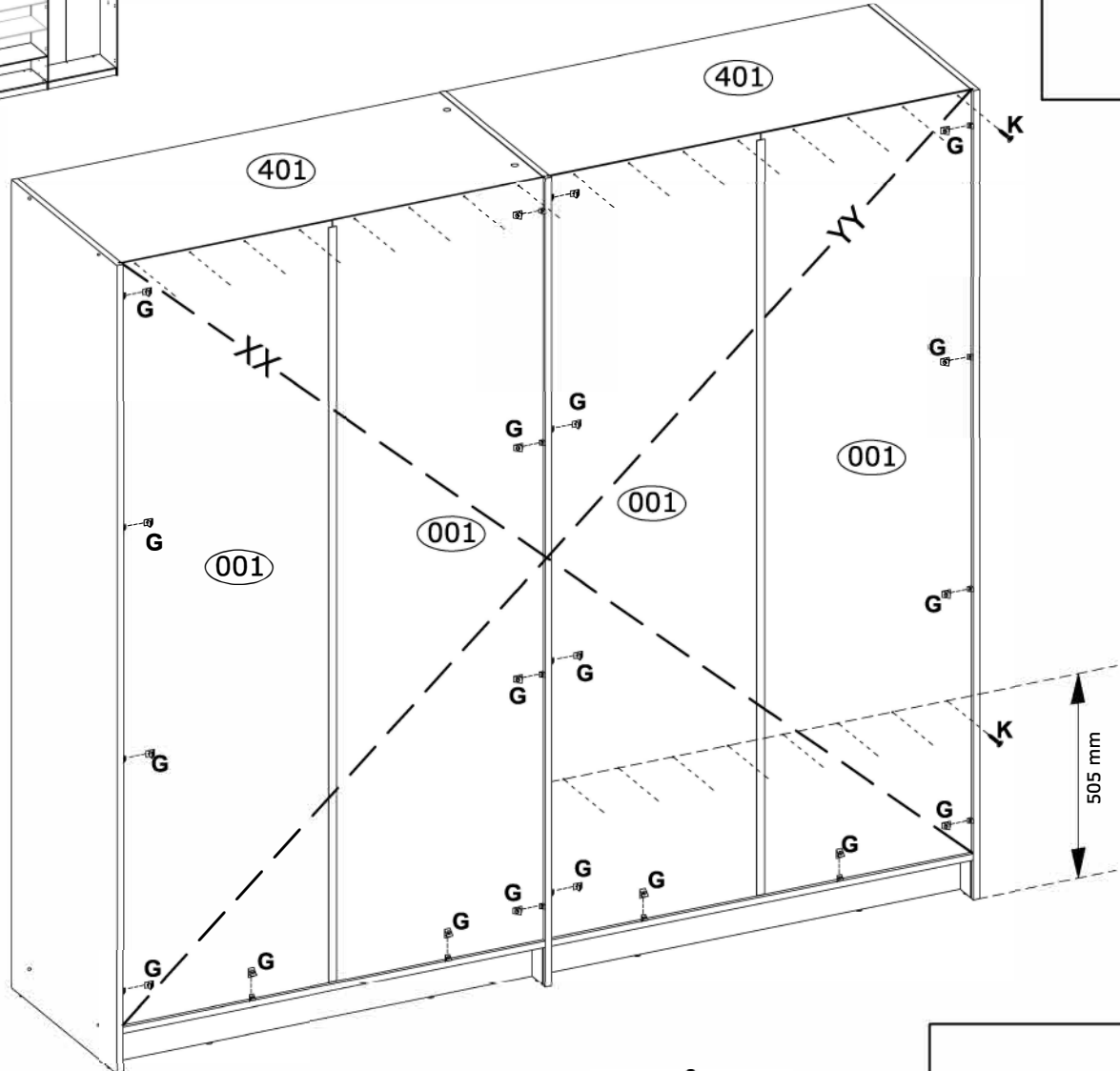
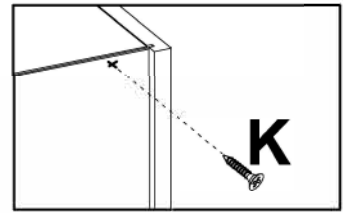
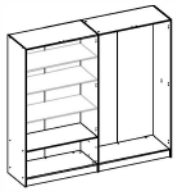


B1 L-1890 mm
x2
217025

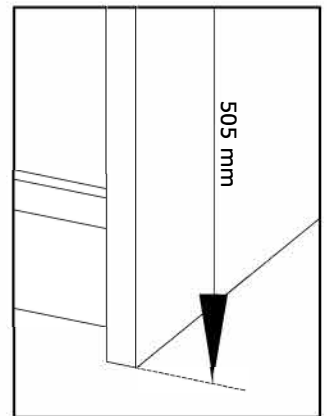
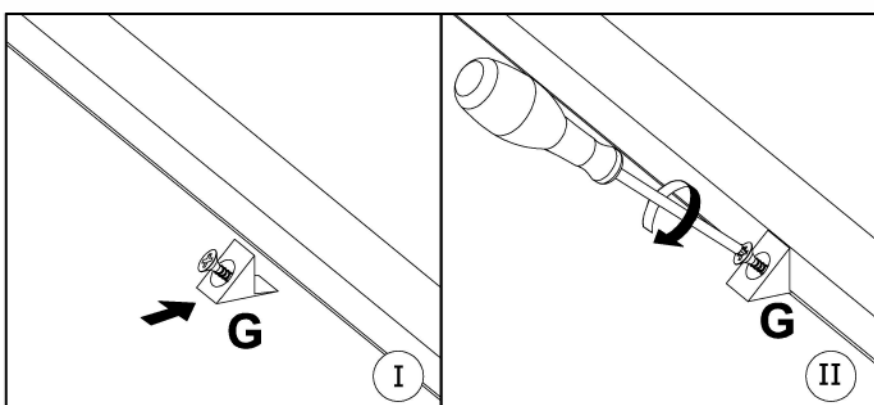
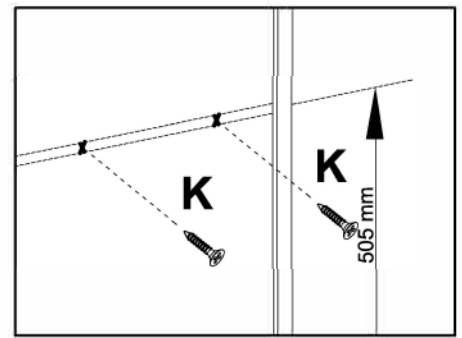


25




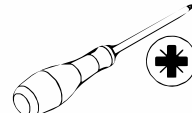
G 15x14x11 mm  x20 4044	K Ø3,0x20 mm  x22 3914	   
---	--	---

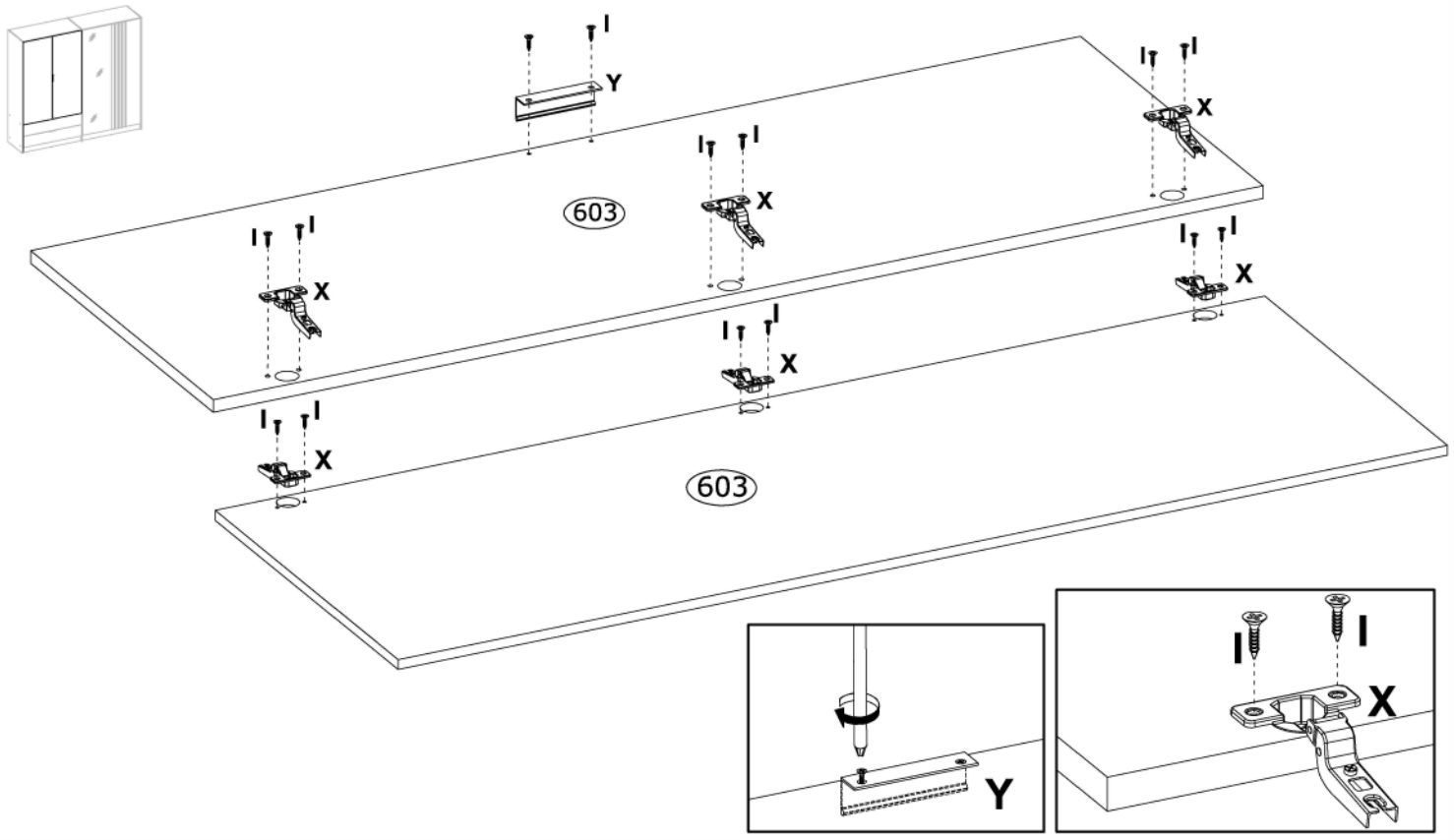


$XX = YY \equiv 90^\circ$




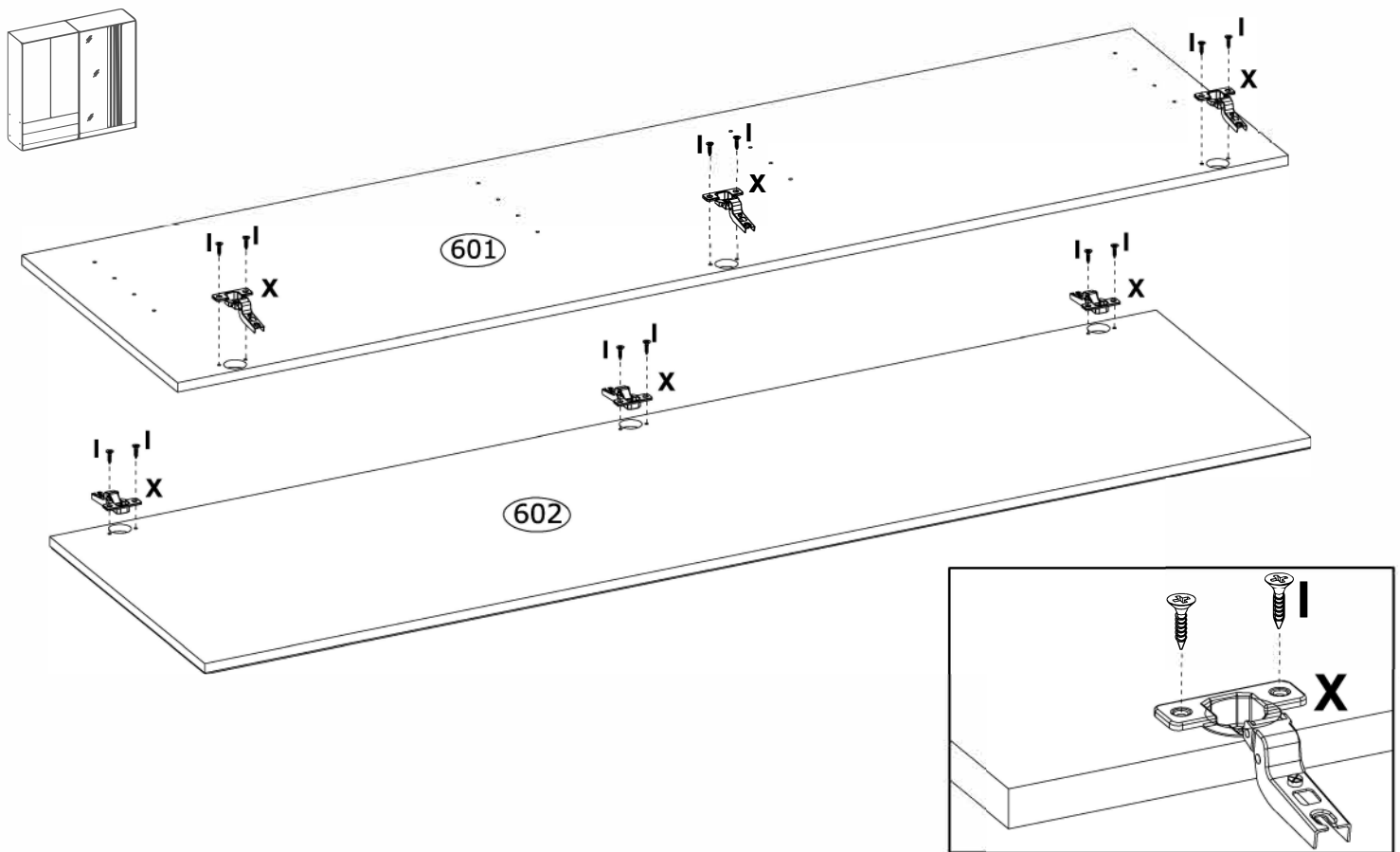
26

<p>Y</p> <p>L-120 mm</p>  <p>x1 209928</p>	<p>X</p> <p>Ø35 mm , KR15</p>  <p>x6 68850</p>	<p>I</p> <p>Ø3,5x16 mm</p>  <p>x14 3918</p>	
---	--	--	--



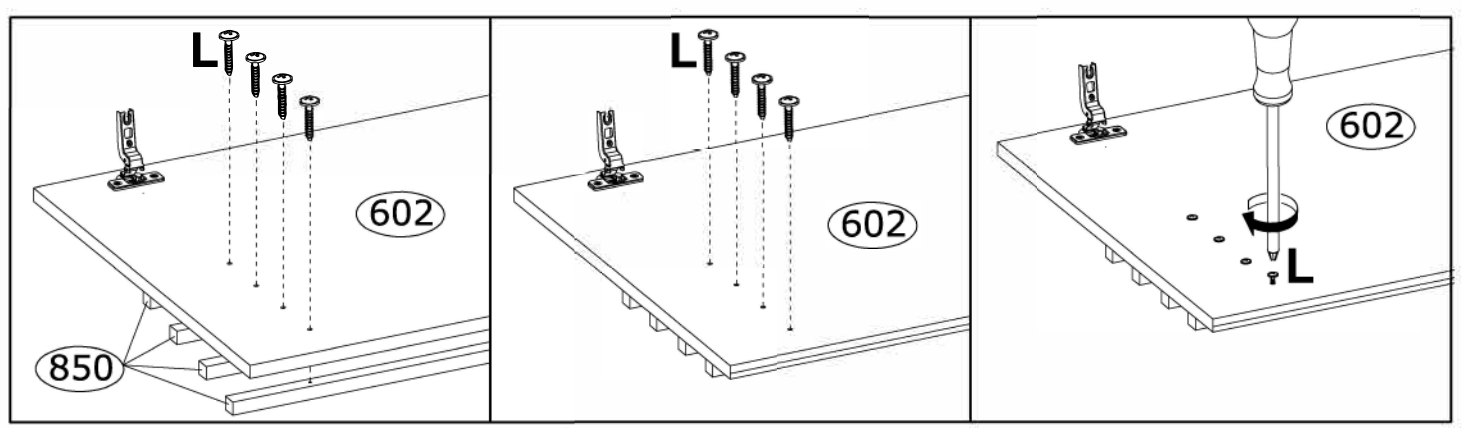
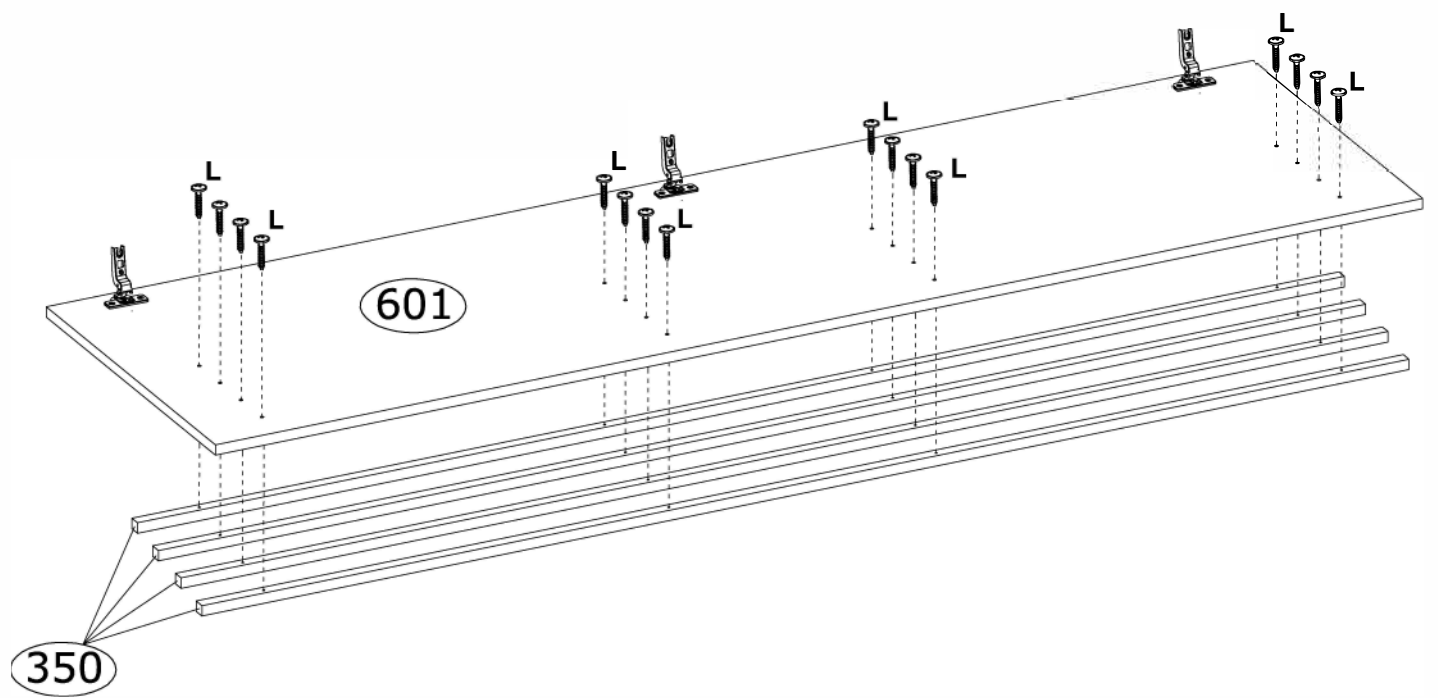
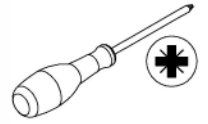
27

<p>X</p> <p>Ø35 mm , KR15</p>  <p>x6 68850</p>	<p>I</p> <p>Ø3,5x16 mm</p>  <p>x12 3918</p>	
---	--	---



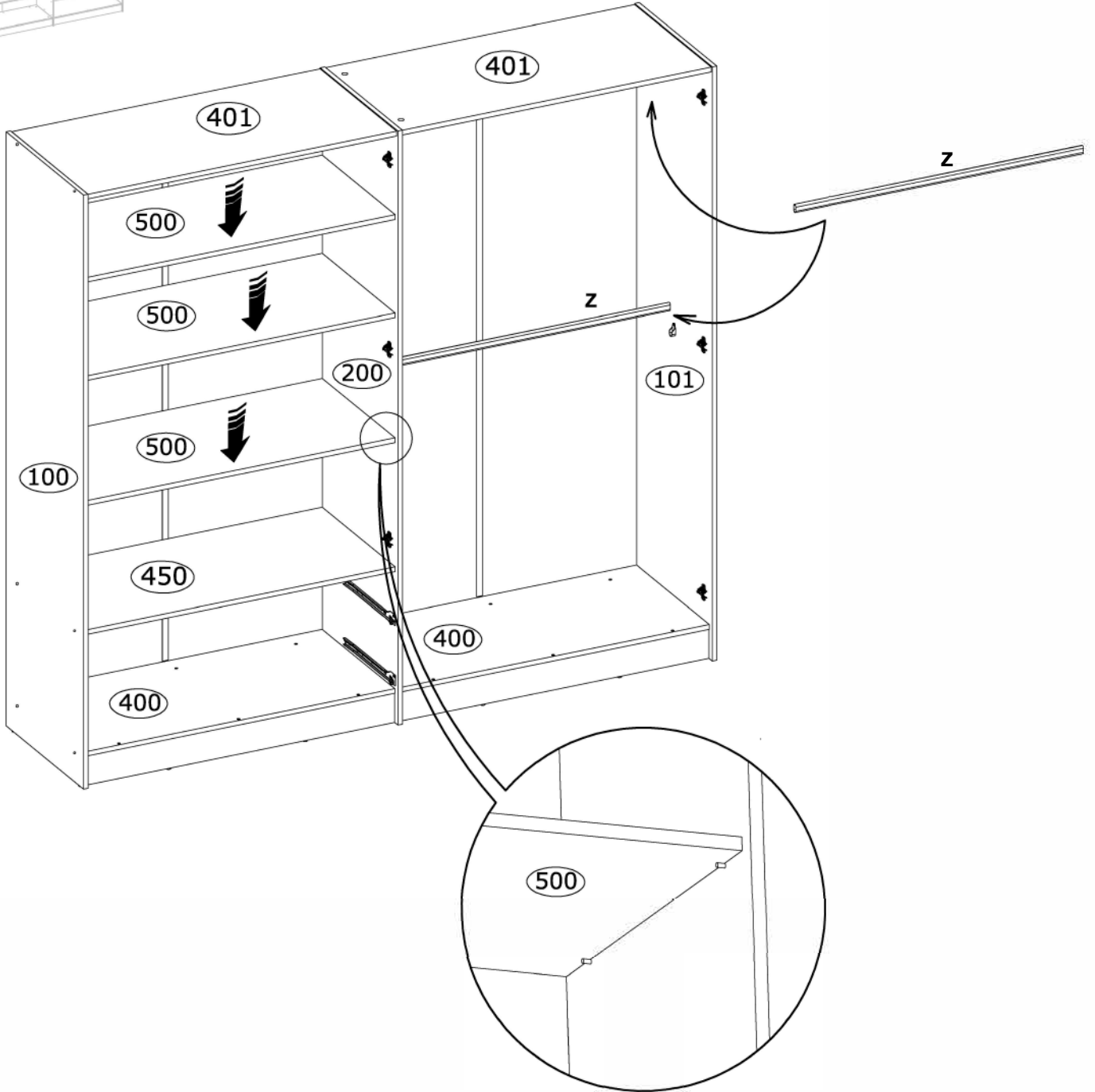
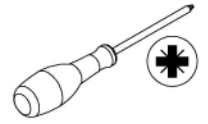
28

L
Ø4,0x25 mm
x16
145556

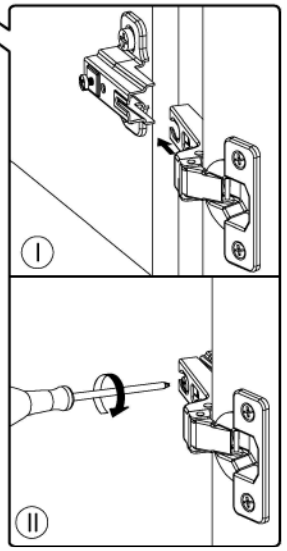
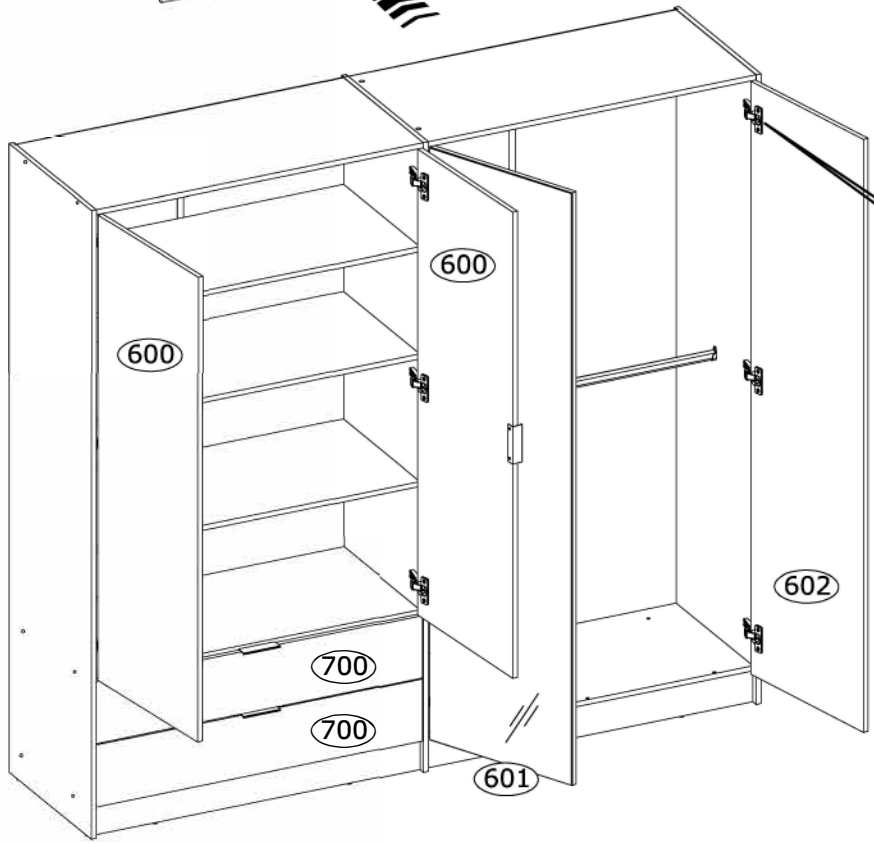
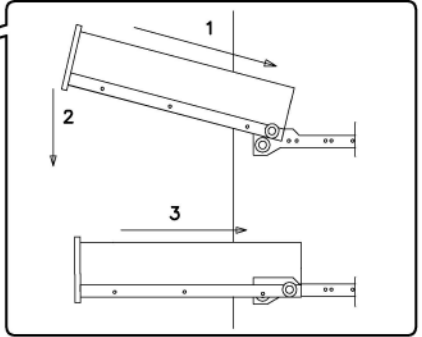
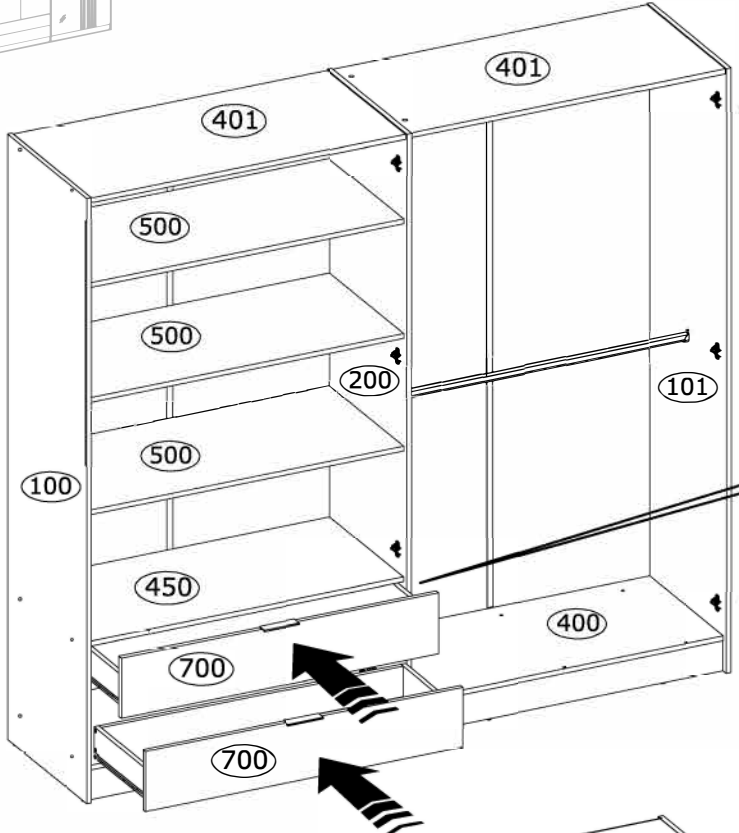
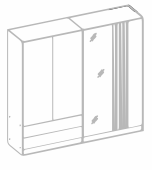
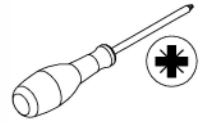


29



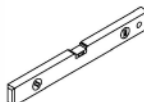


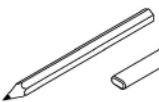
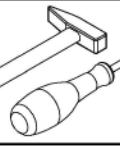

Z
L-1068 mm
x2
72529

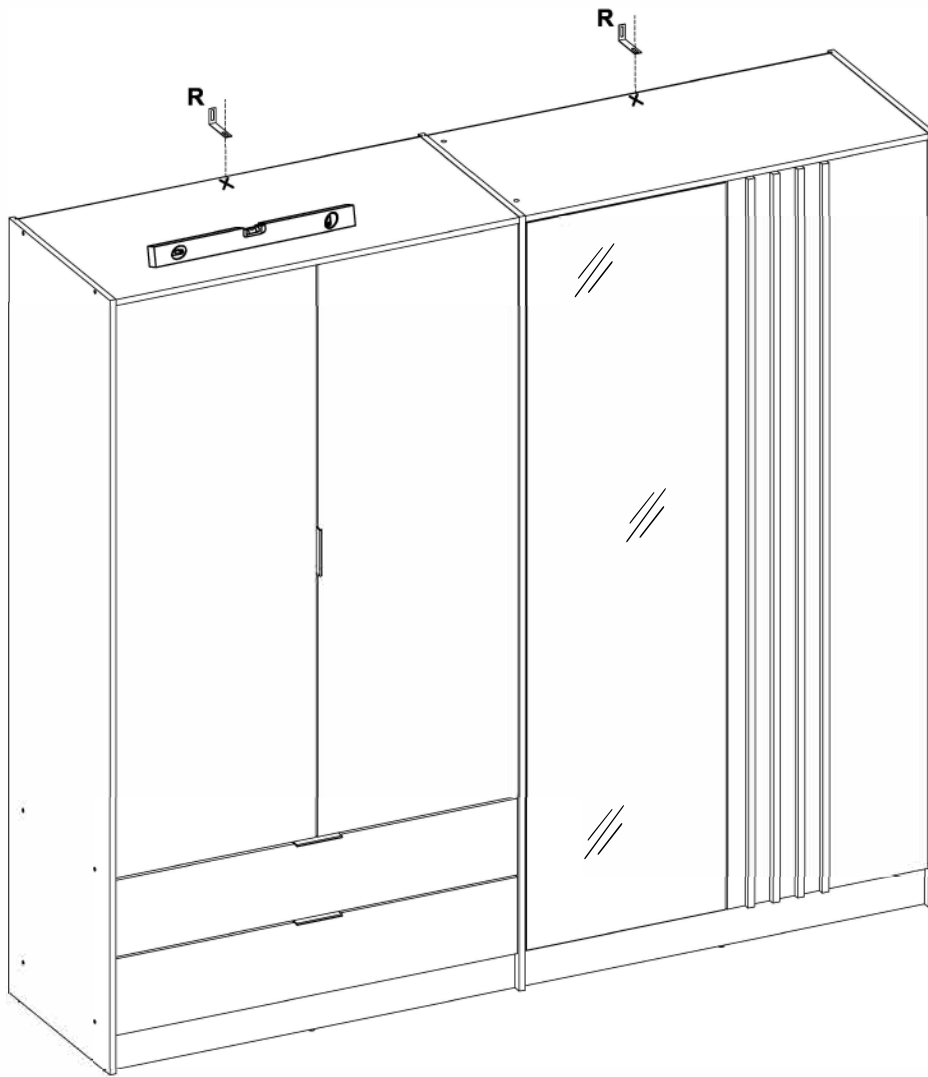
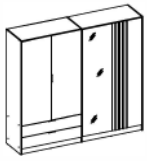



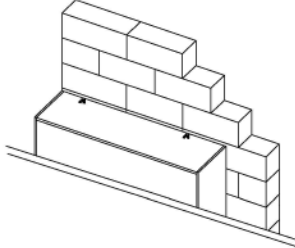
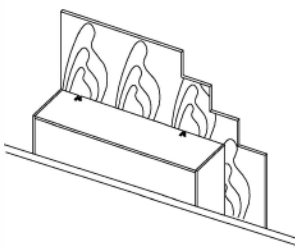
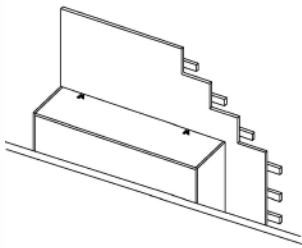
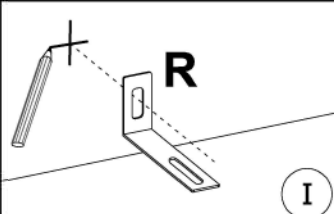
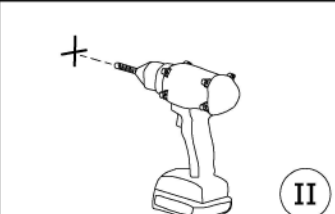
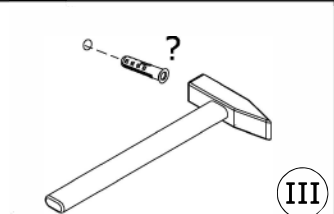
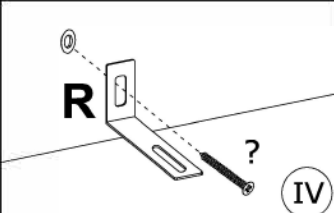
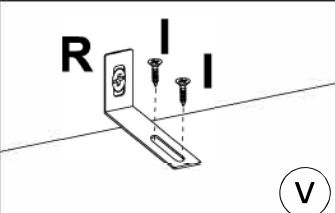
30



31

R 75x15x32 mm  x2 71900	I Ø3,5x16 mm  x4 3918	     
--	---	---



			
 I	 II	 III	
 IV	 V		

