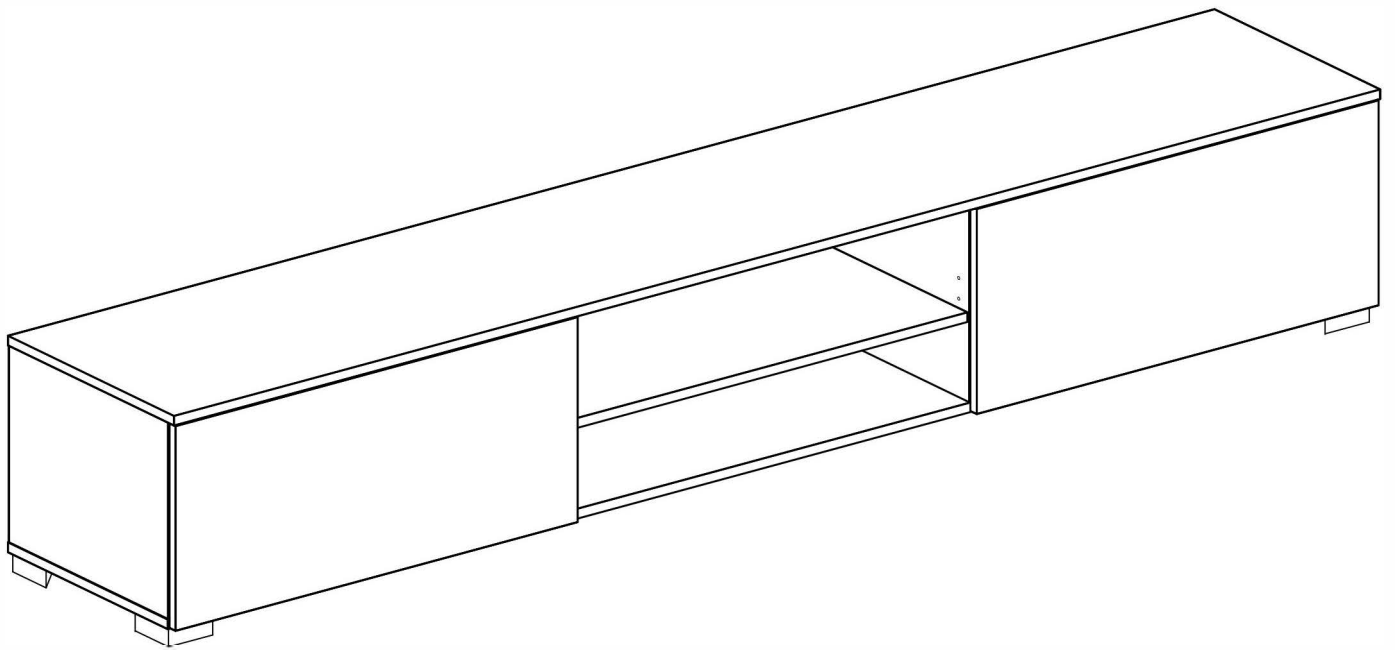
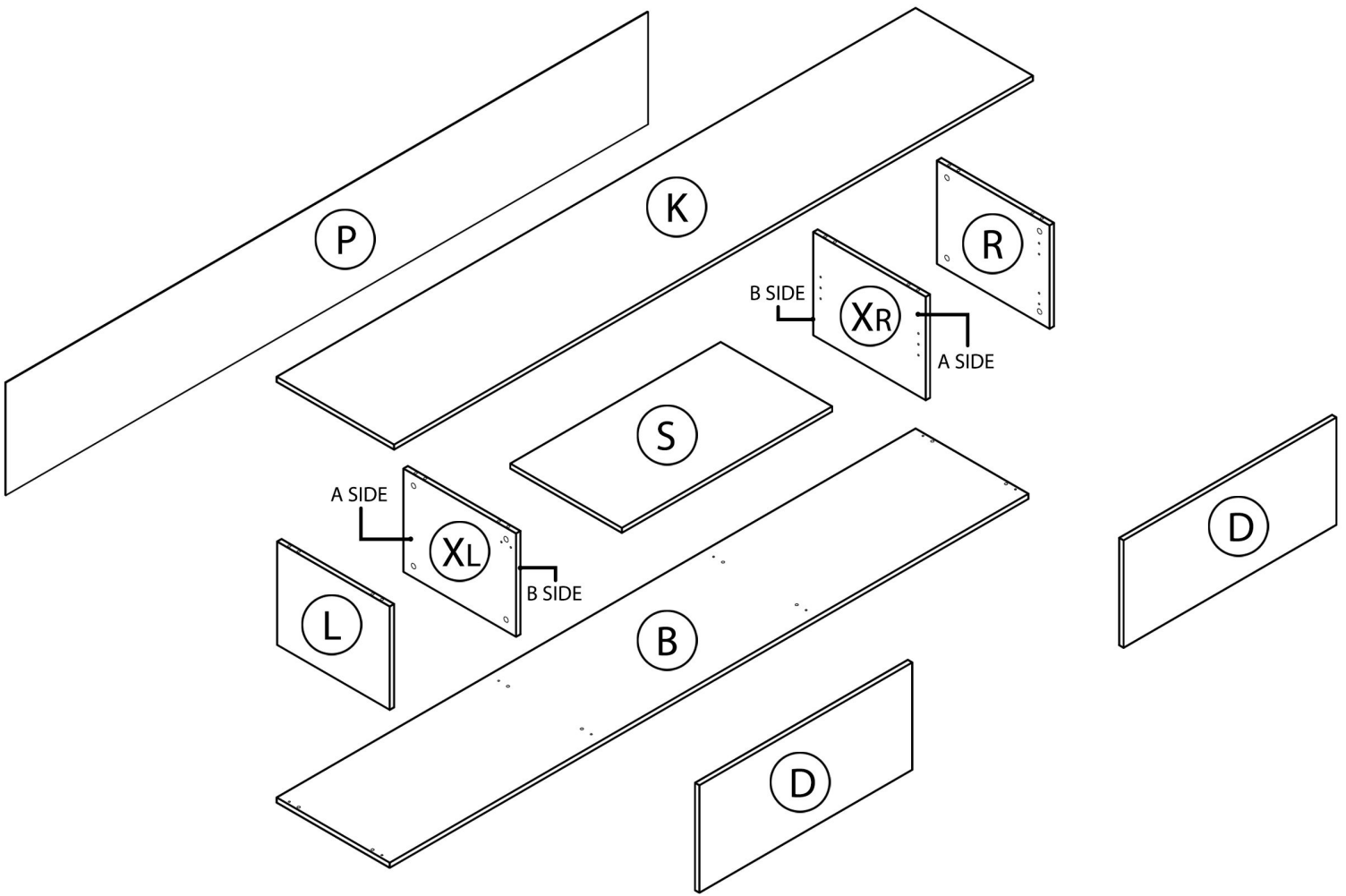
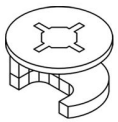
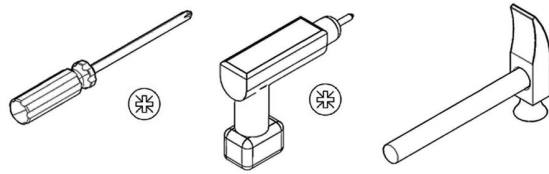


VID 006.A

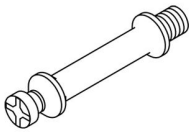




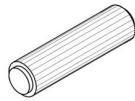
USING TOOLS



Fx16



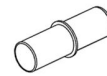
Px16



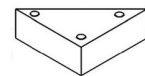
Kx16



B1x20



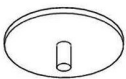
Tx4



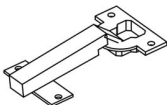
Lx6



B2x18



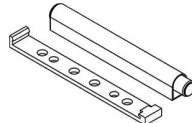
TPx16



Mx4

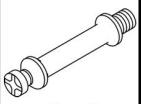


KAx40



PSx2

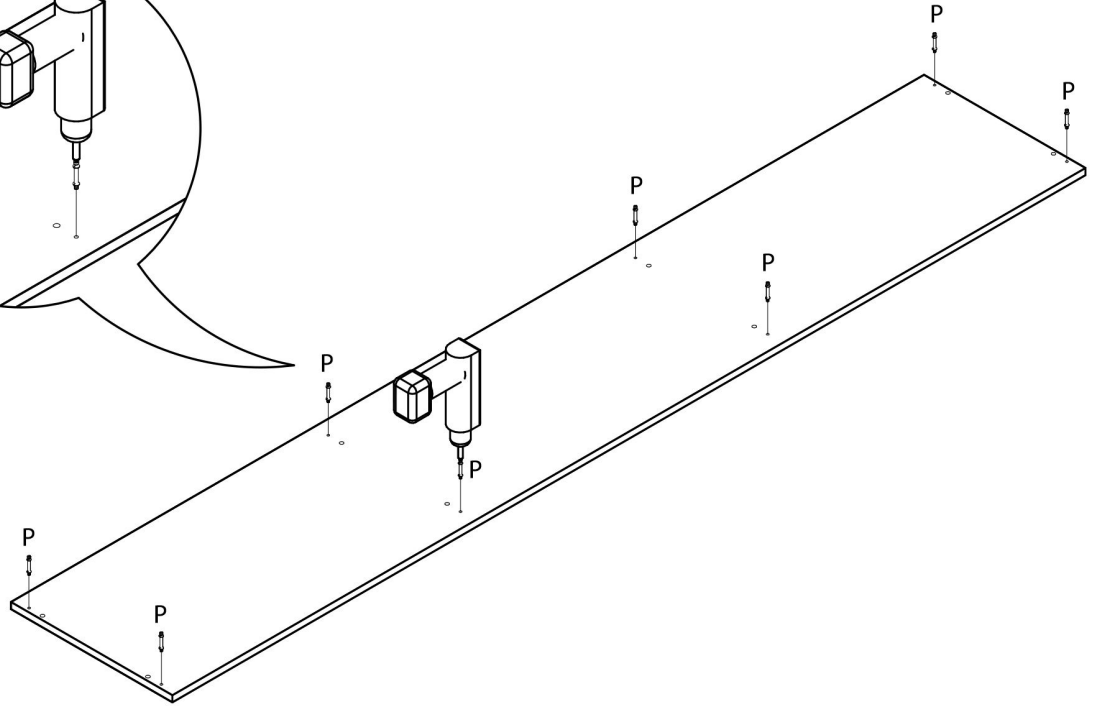
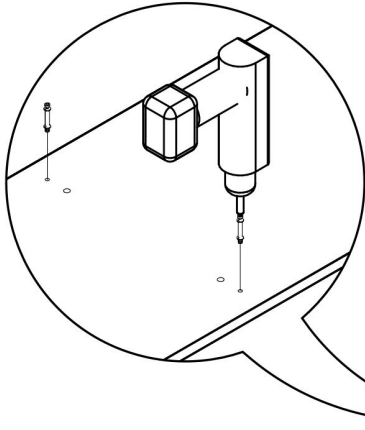
1



Px8

(K) & (B)

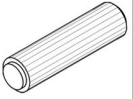
x 2



2



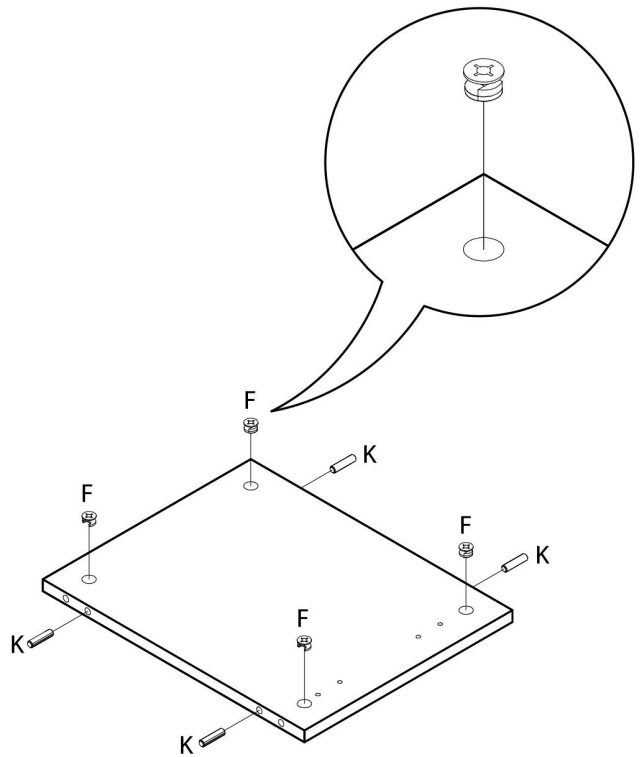
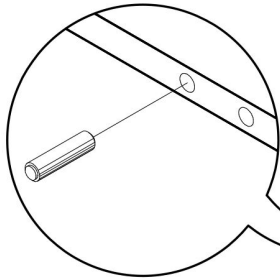
Fx4



Kx4

(L) & (R)

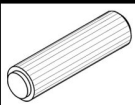
x 2



3



Fx4



Kx4

(XL)

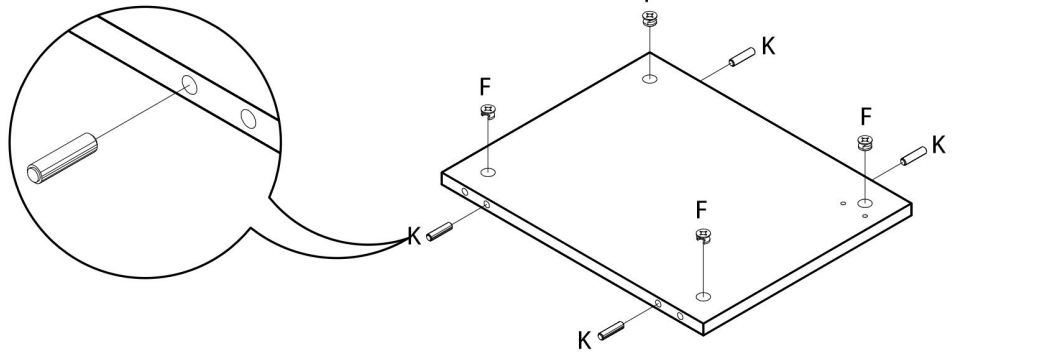
&

(XR)

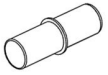
A SIDE

B SIDE

x 2



4



Tx2

(XL)

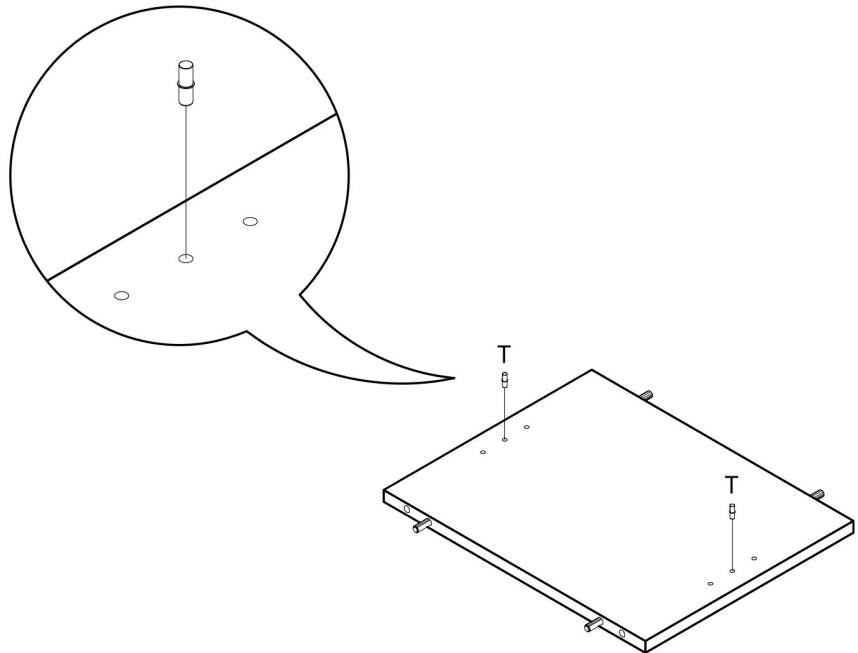
&

(XR)

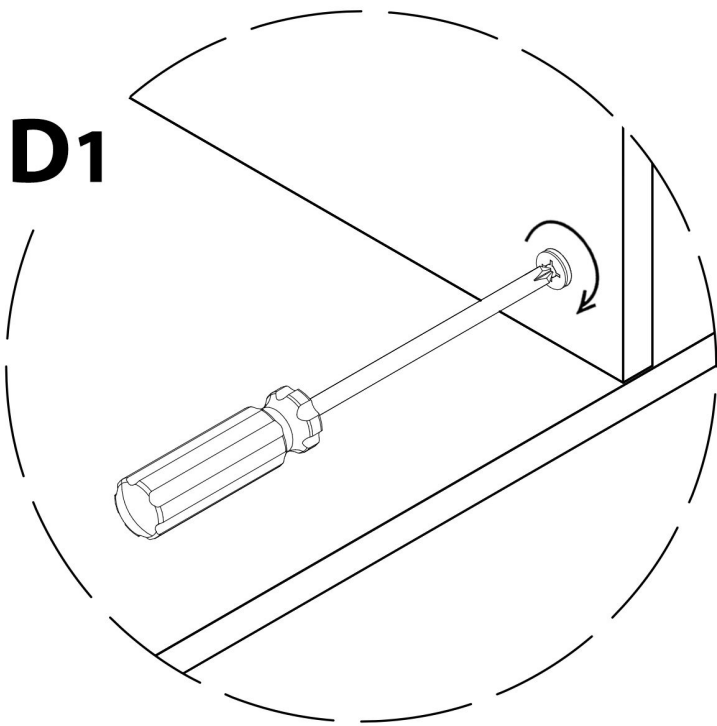
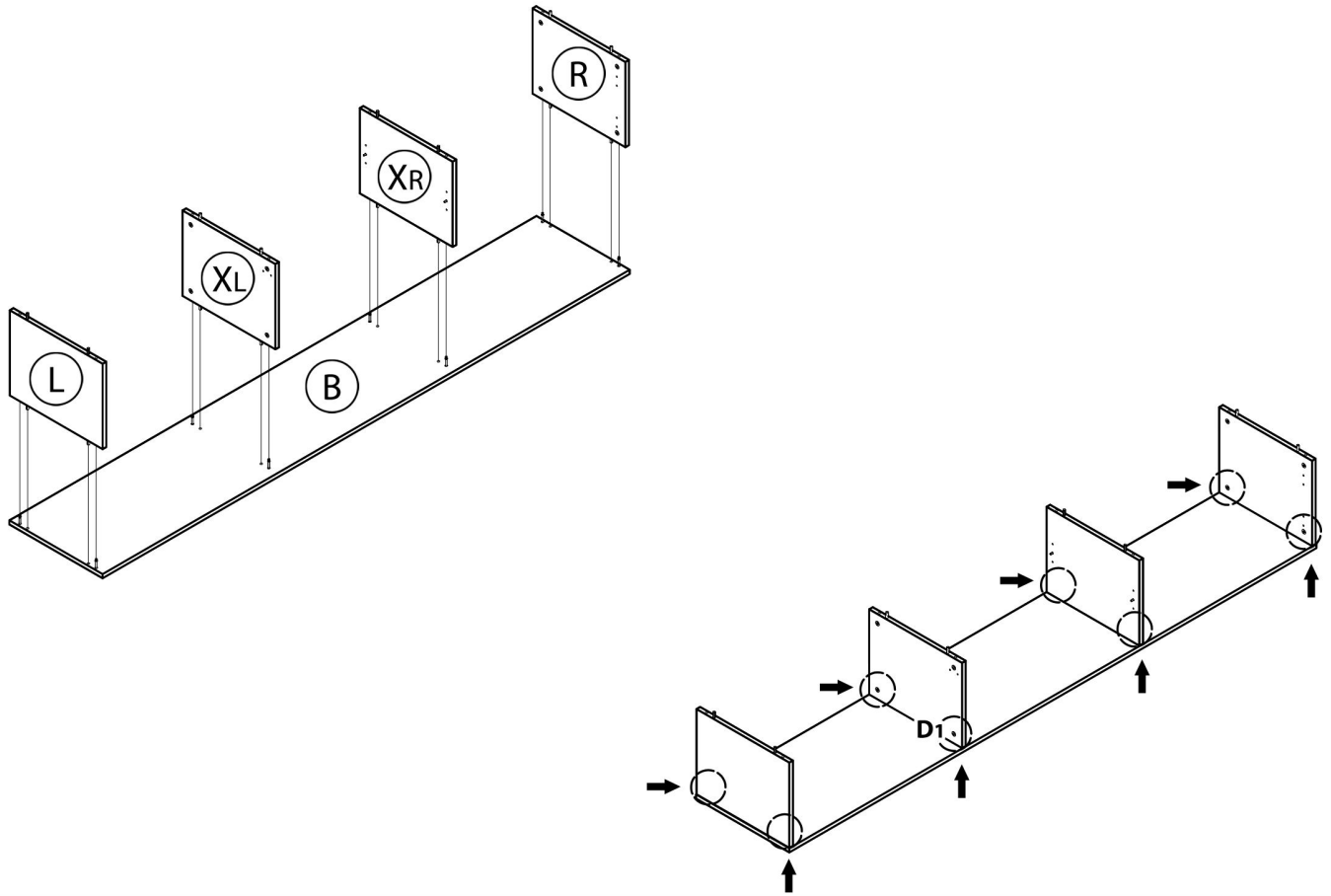
B SIDE

A SIDE

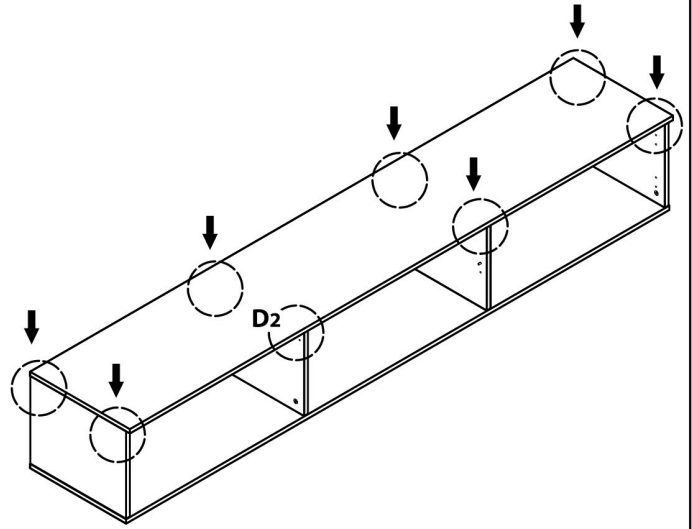
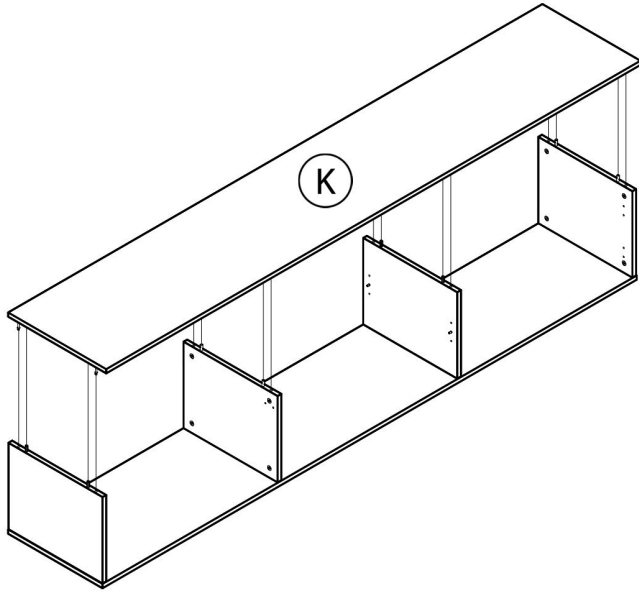
x 2



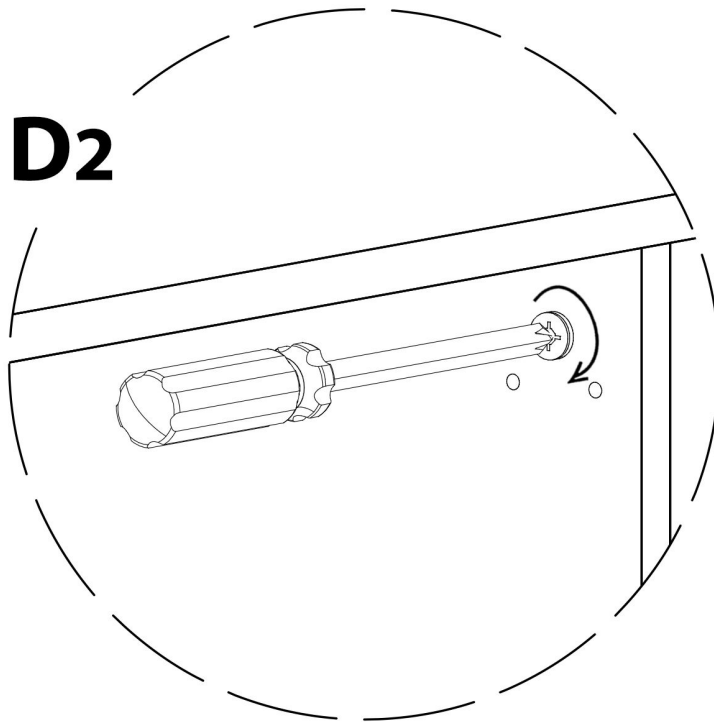
5



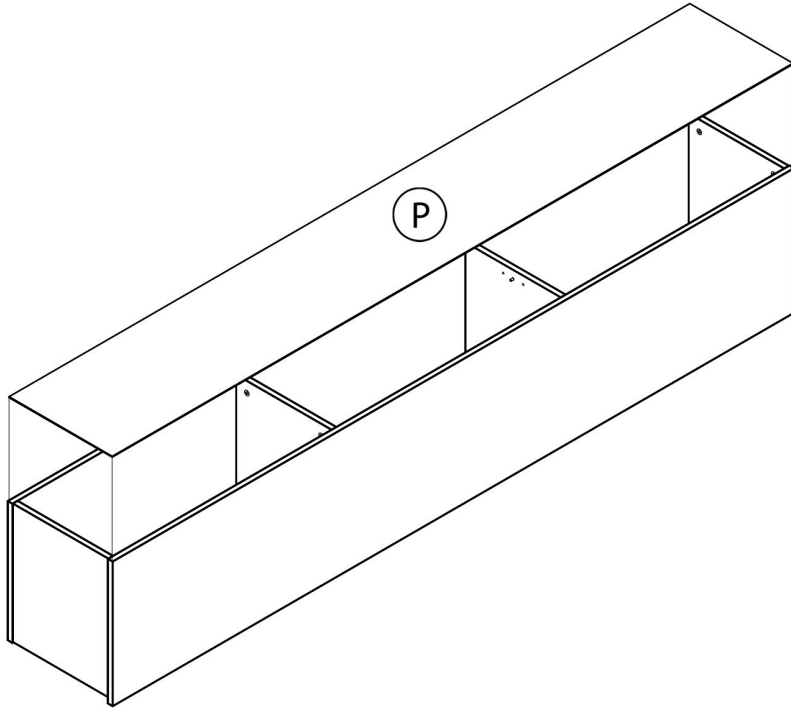
6



D2



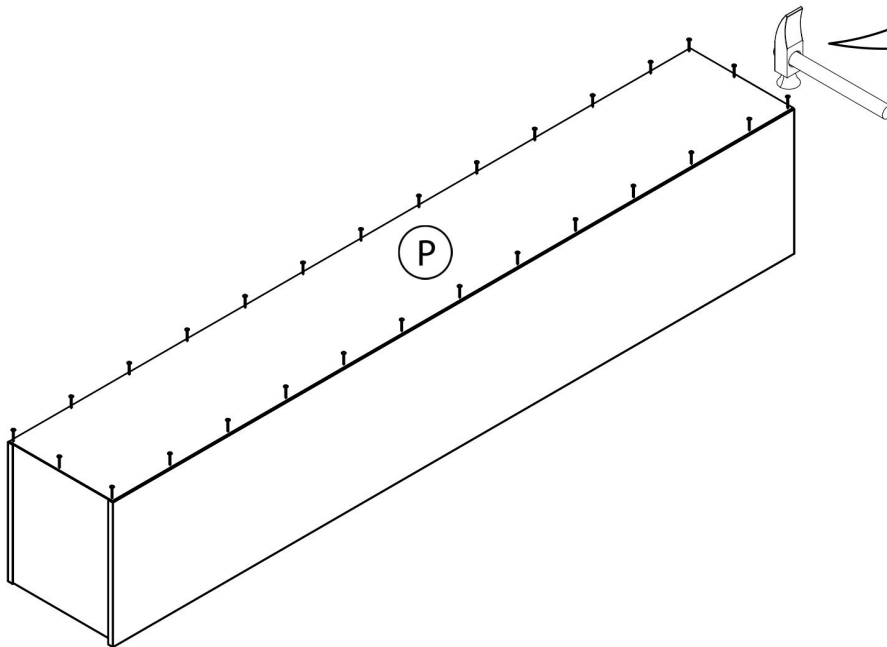
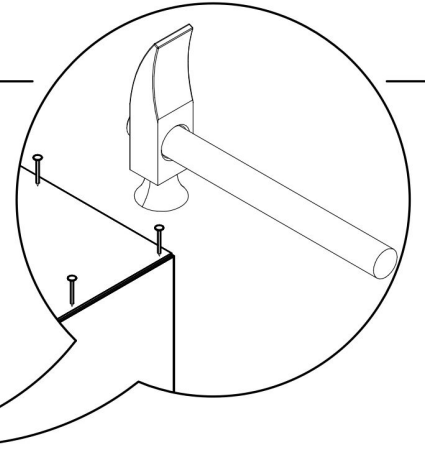
7



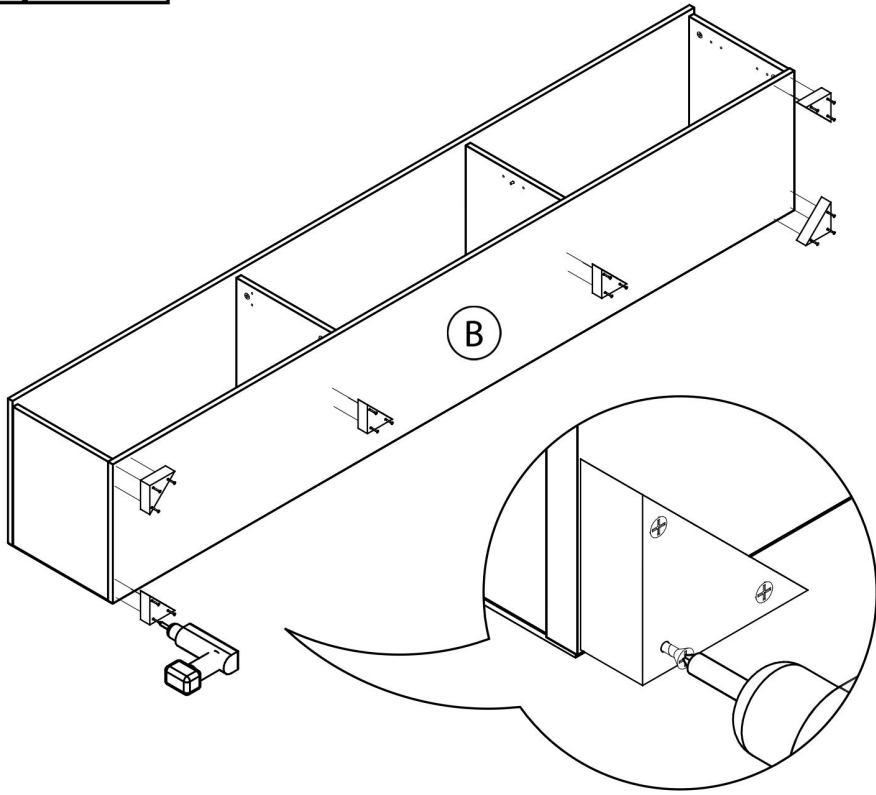
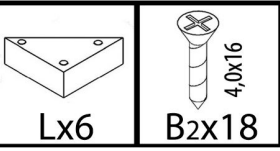
8



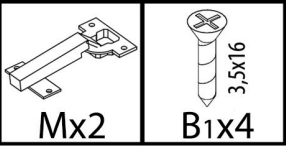
KAx40



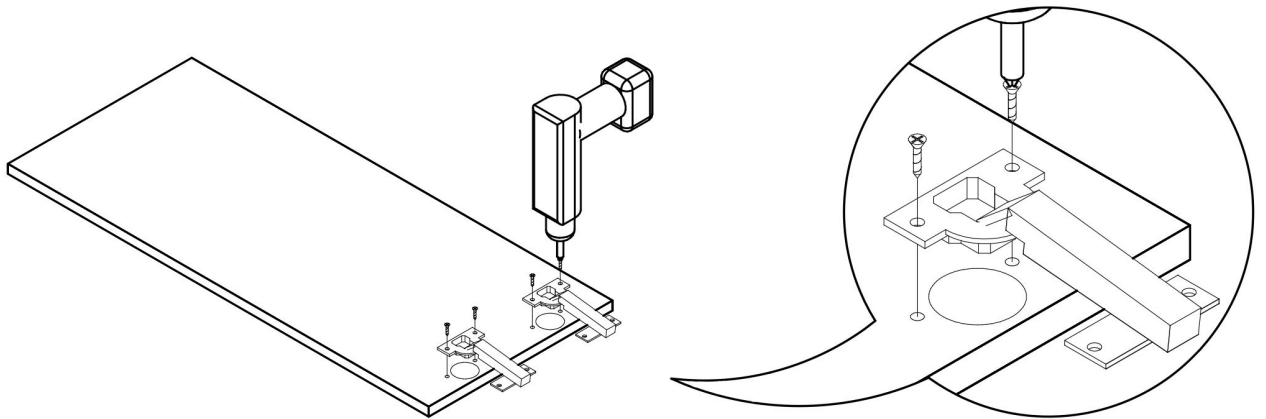
9



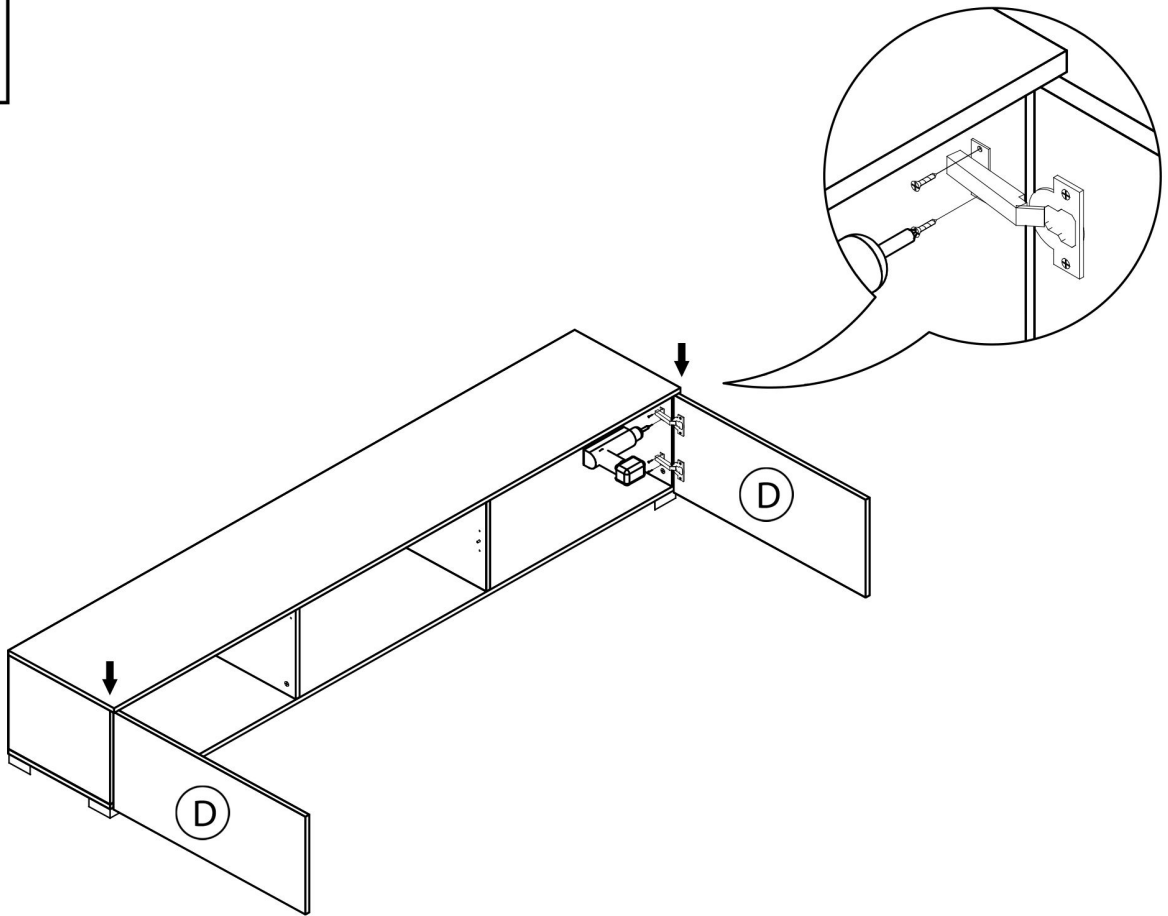
10



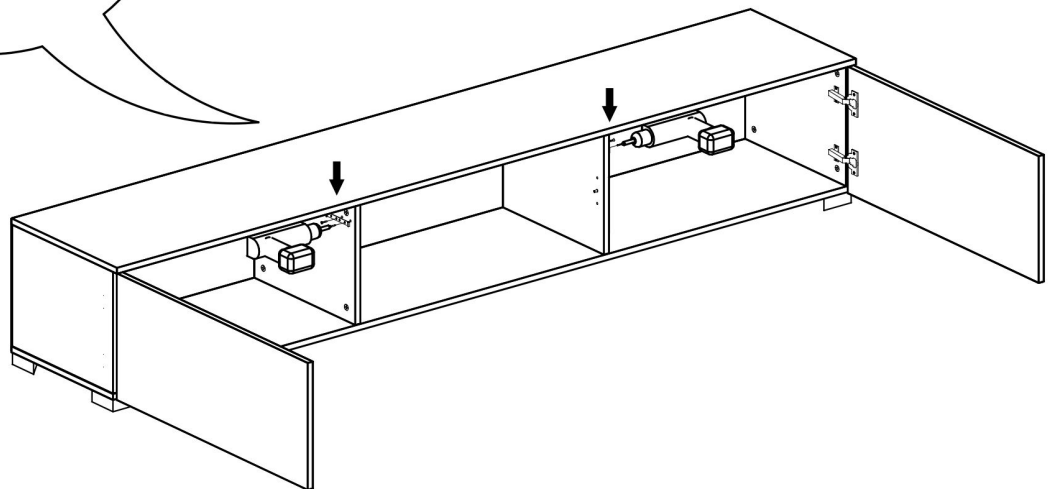
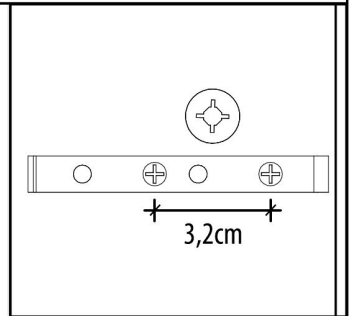
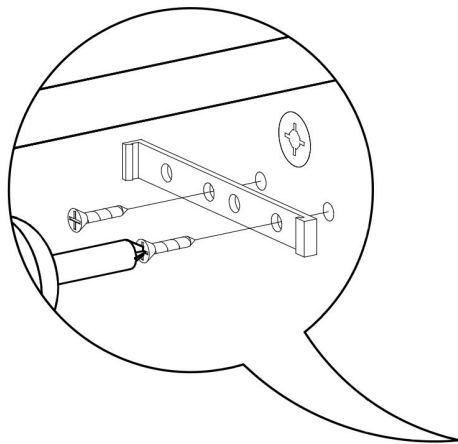
D x 2



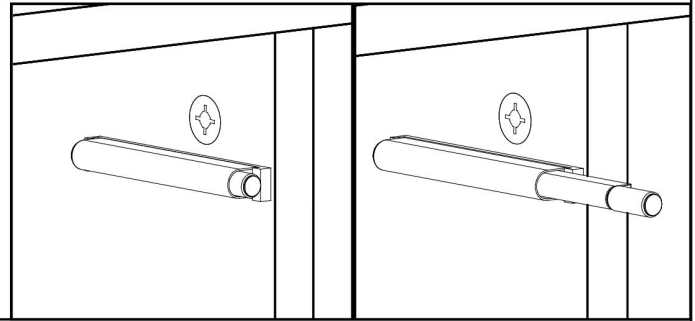
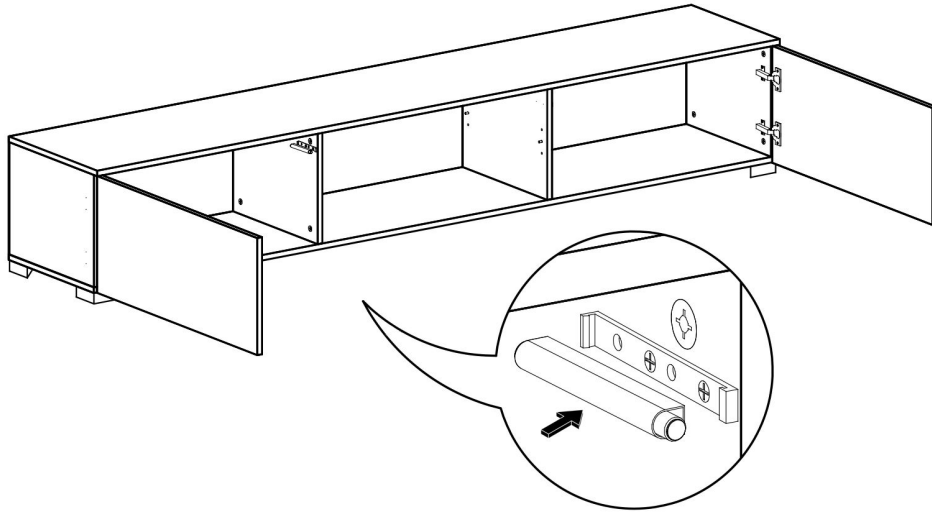
11



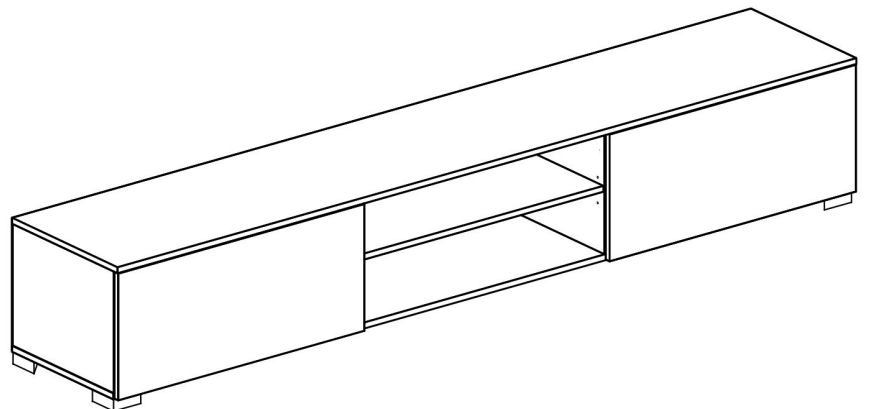
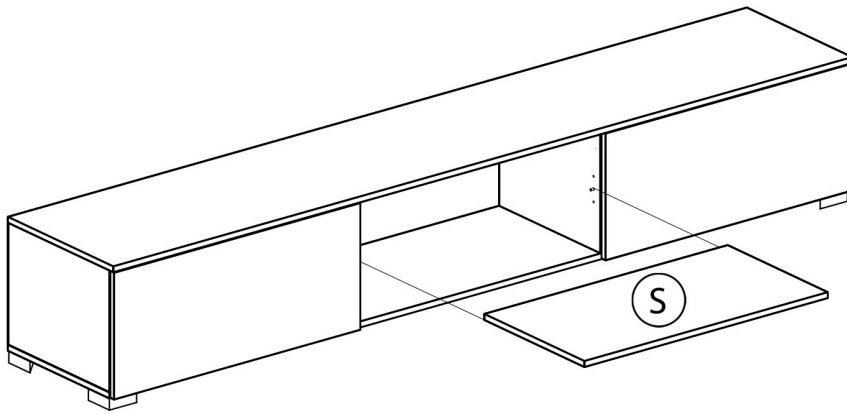
12



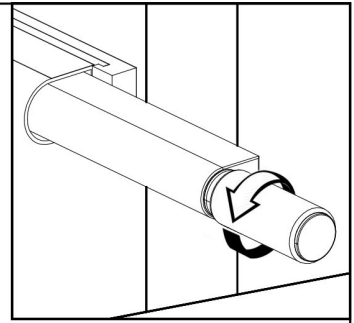
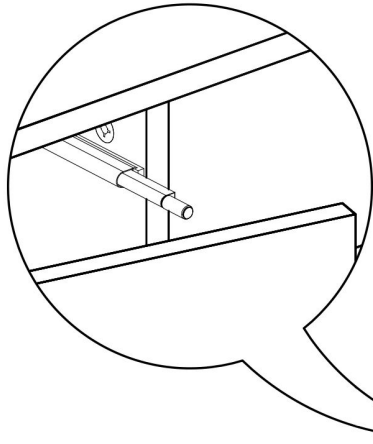
13



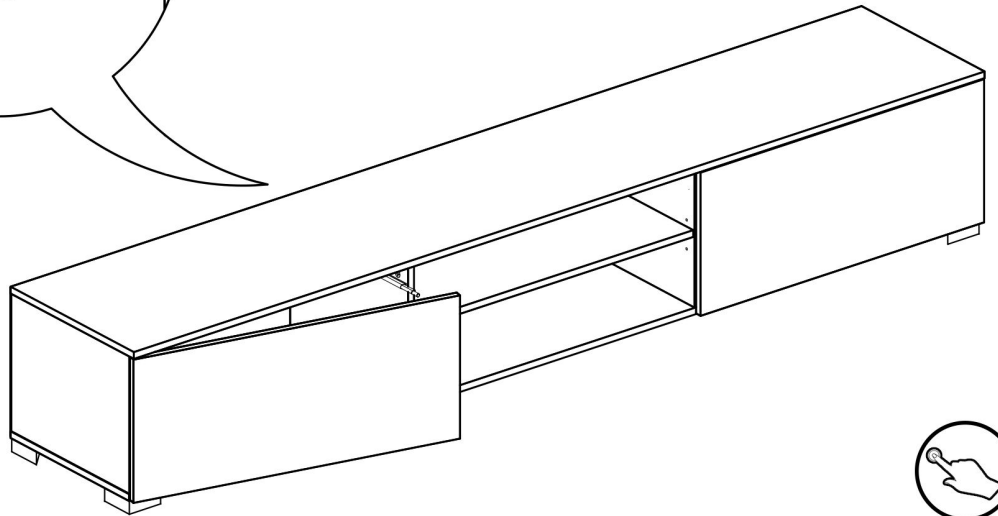
14



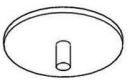
15



adjust push button to fit the door



16



TPx16

