

MUZ 318

Before assembling read instruction carefully.

Check if you have all the parts and familiarize yourself with them.

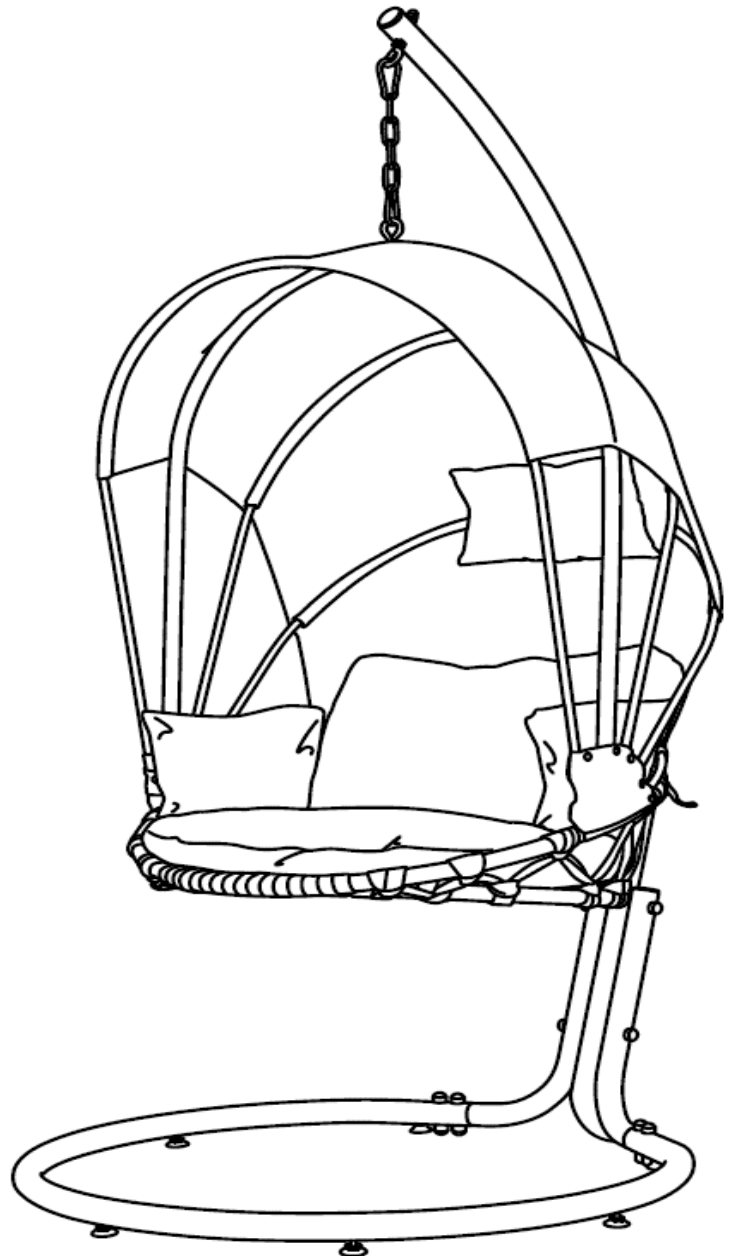
Make sure you have enough space to unfold all parts.

Assemble all parts according to the pictures below

Be sure you do assembling on a smooth surface, free from dirt and dust to not scratch the elements.

NOTE: Maximum load 100 kg

≈ 30 mins



Parts list

A x1



B x2



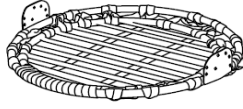
C x1



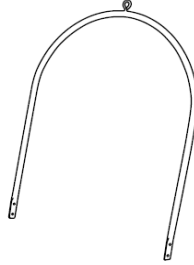
D x1



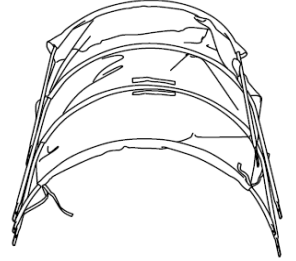
E x1



F x1



G x1



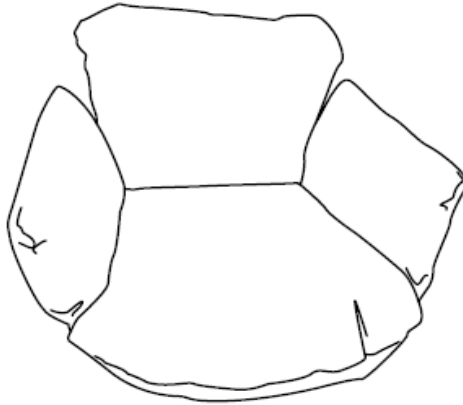
H x2



J x1



K x1



1 x2



2 x4



3 x16



4 x14



5 x14



6 x12



7 x7



8 x1



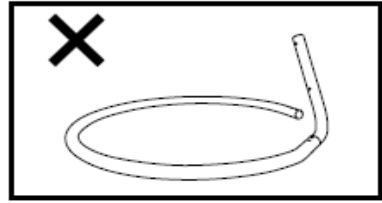
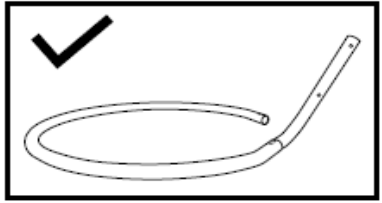
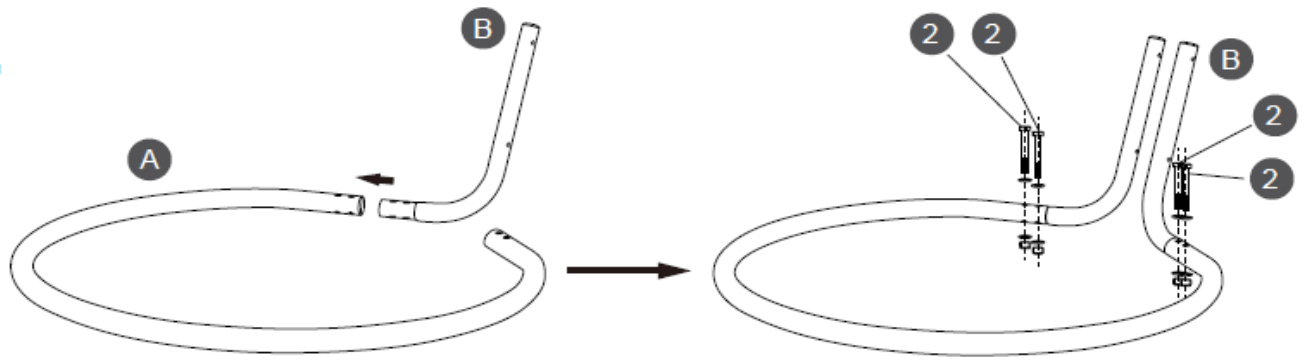
9 x2



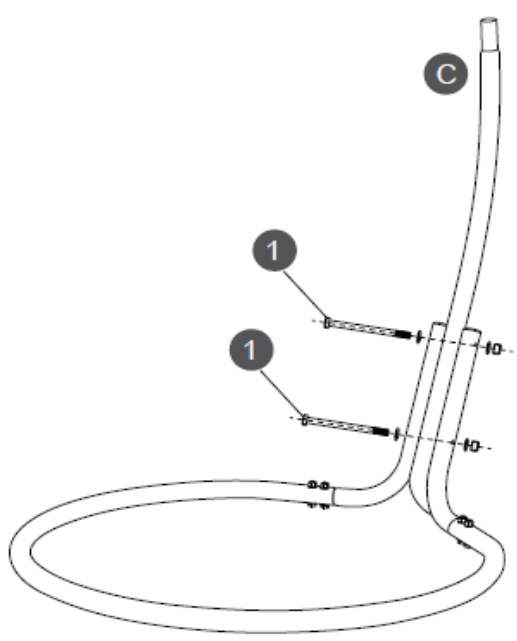
10 x1



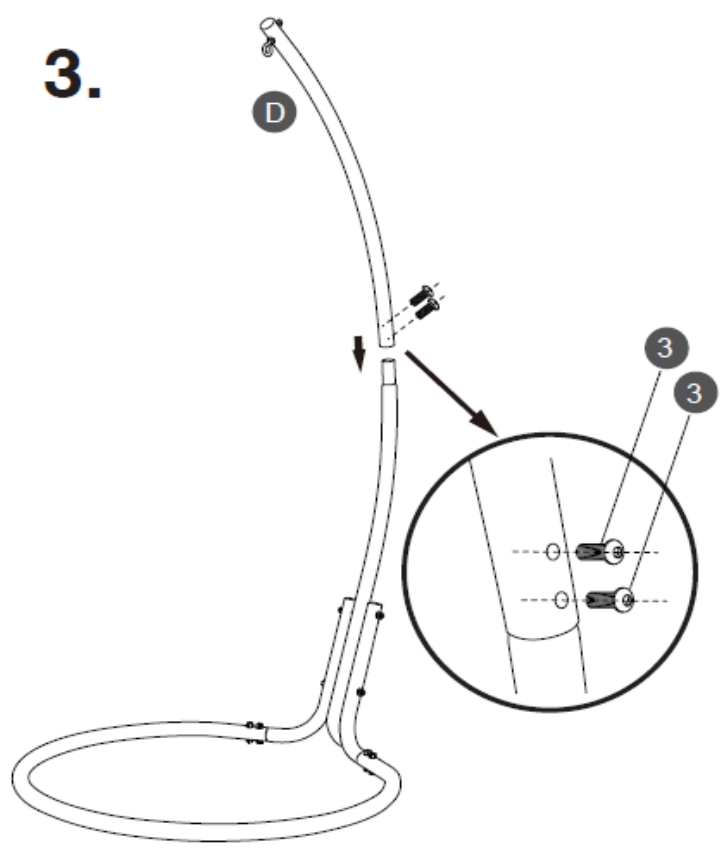
1.



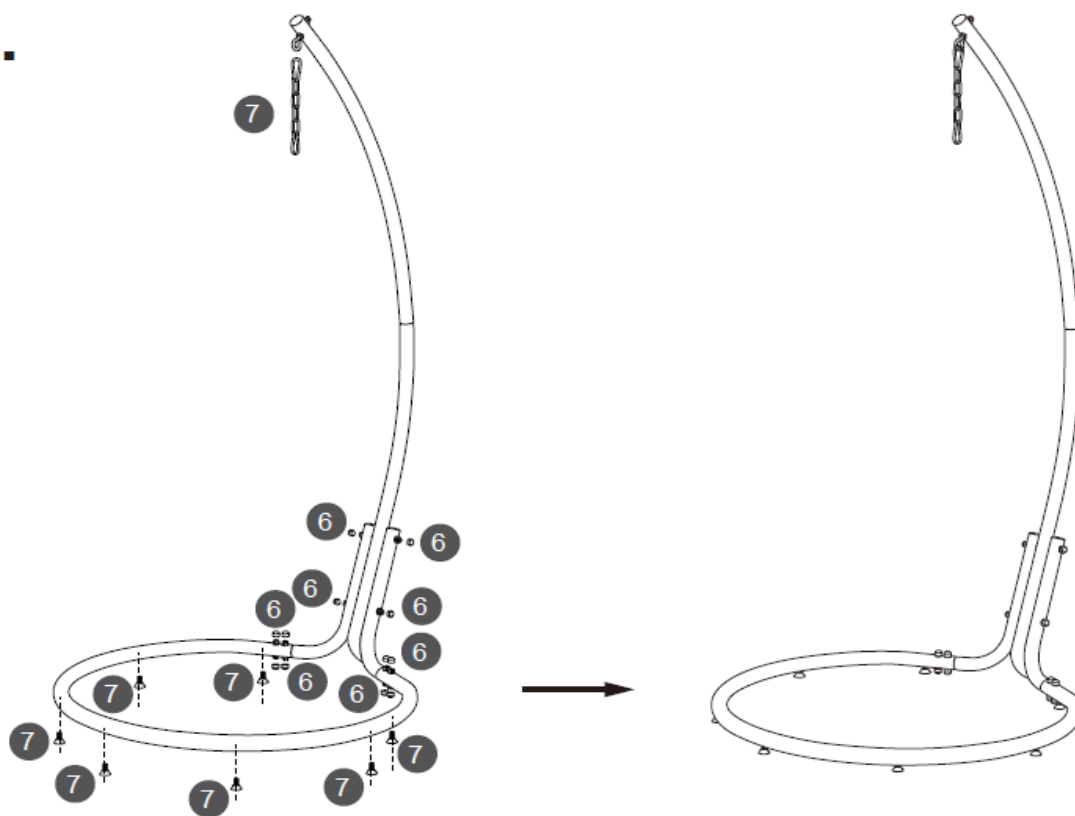
2.



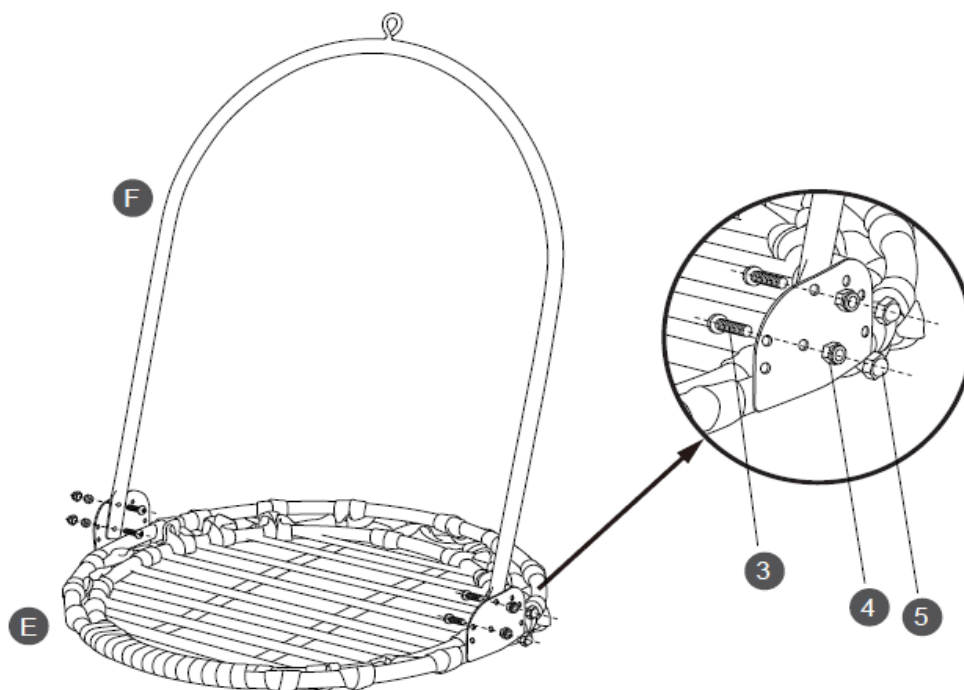
3.



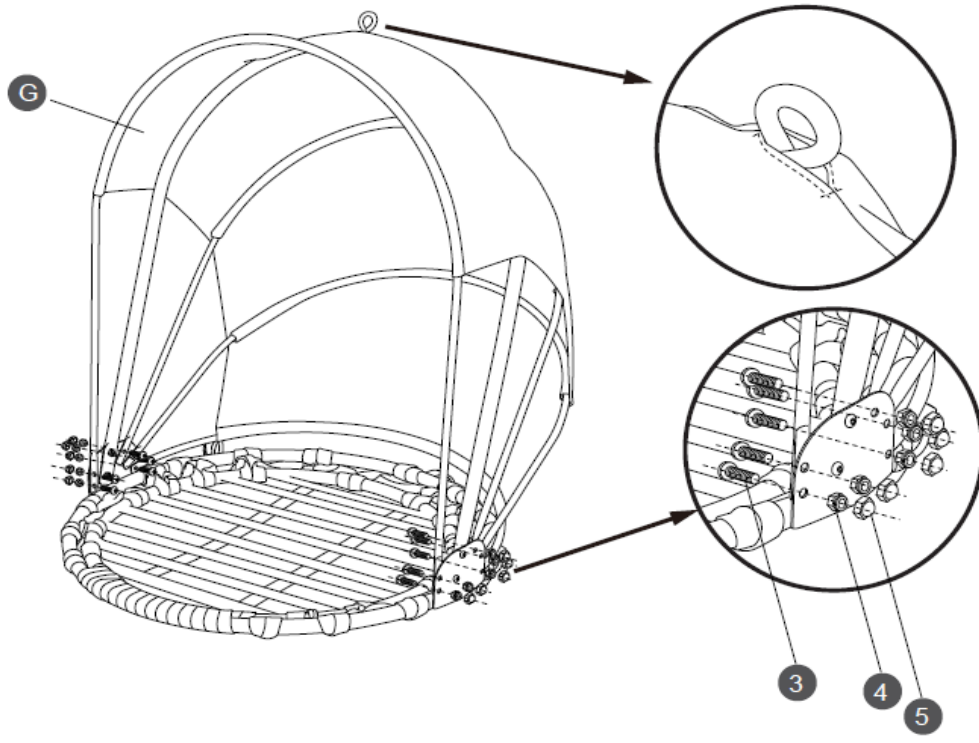
4.



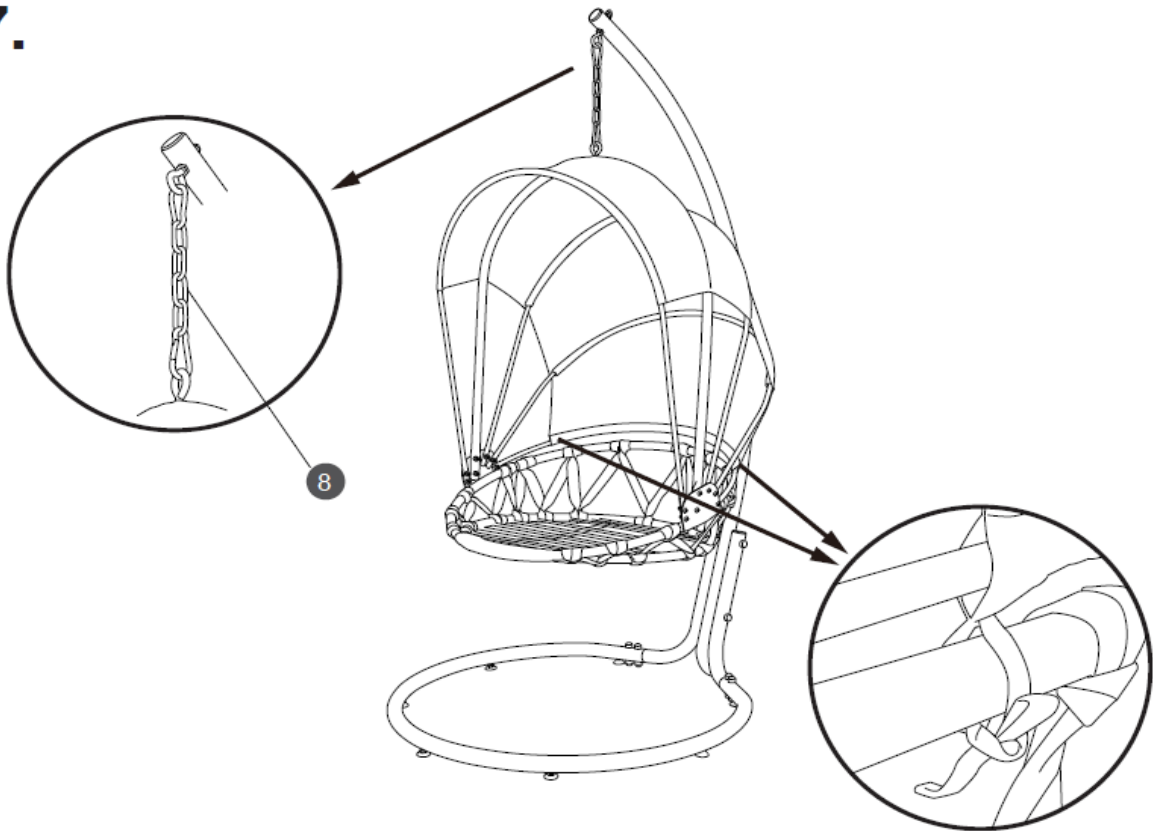
5.



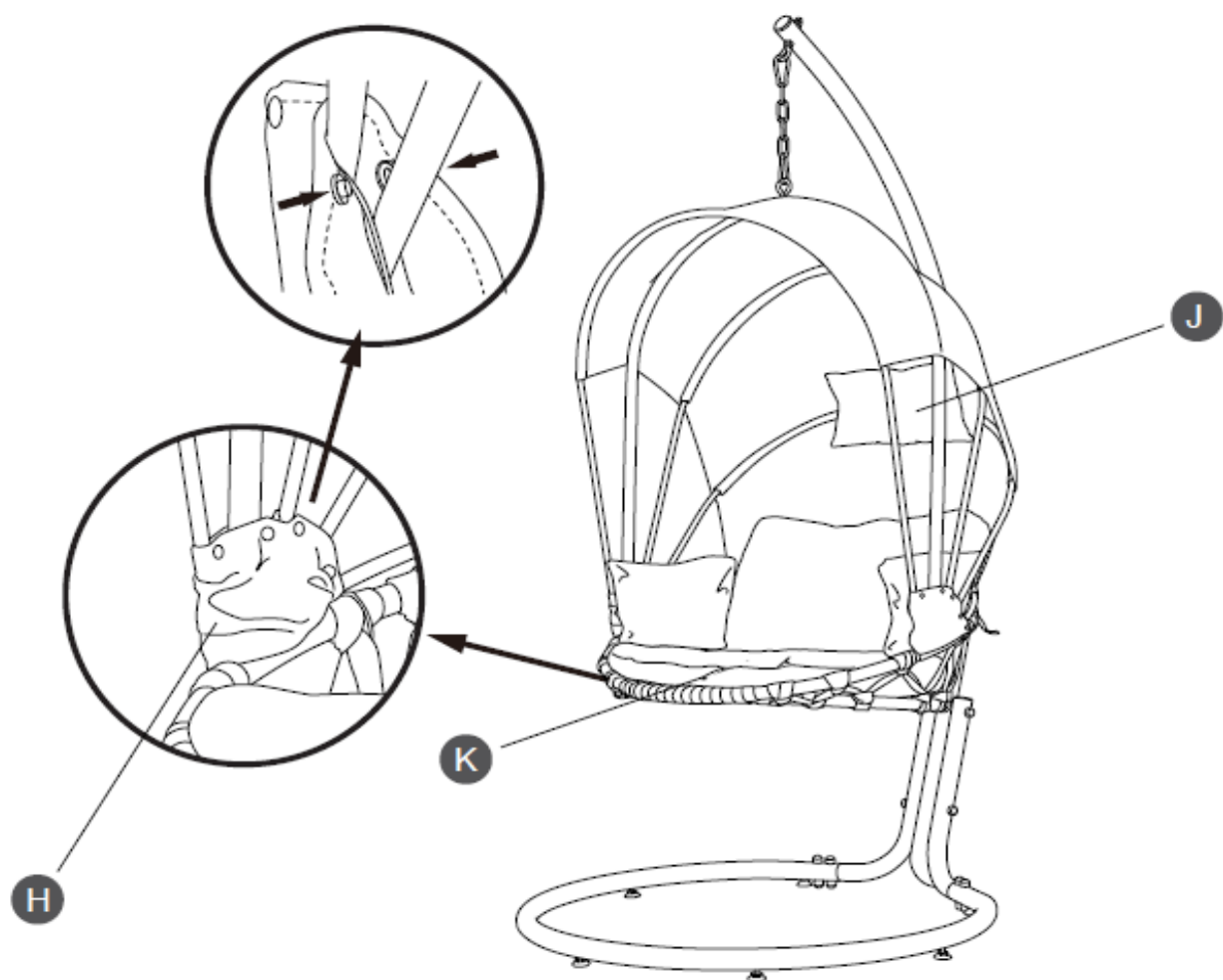
6.



7.



8.



100% Polyester

