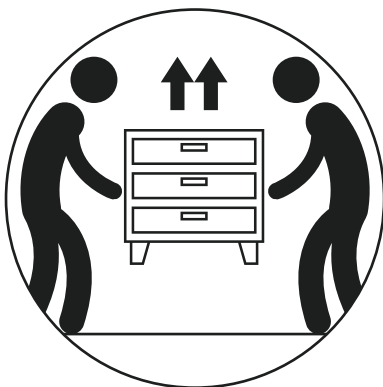
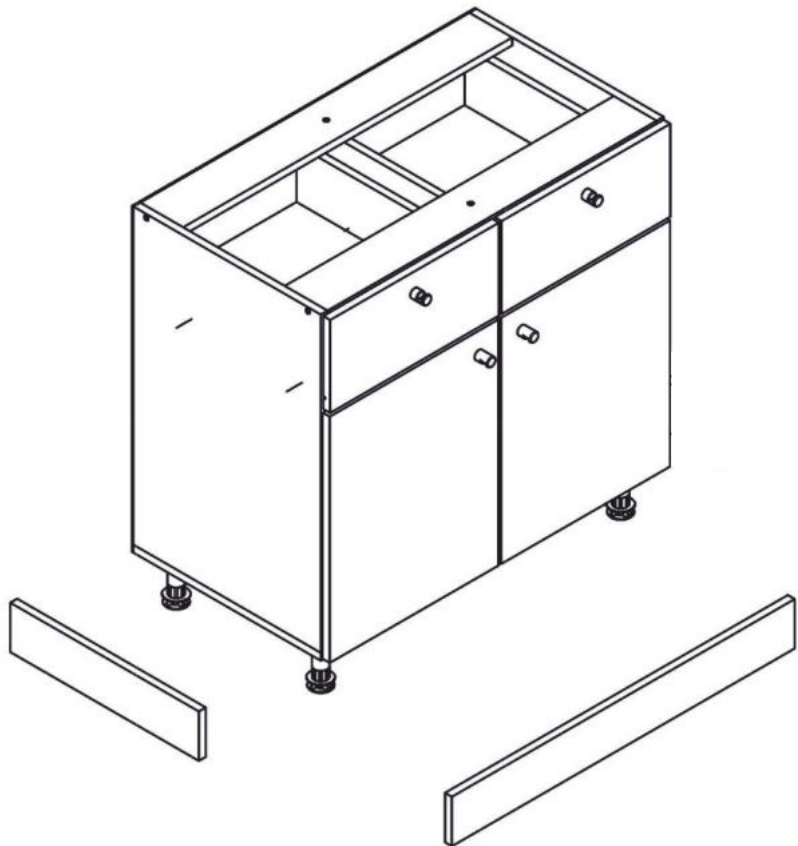
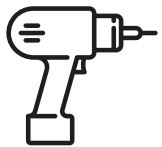
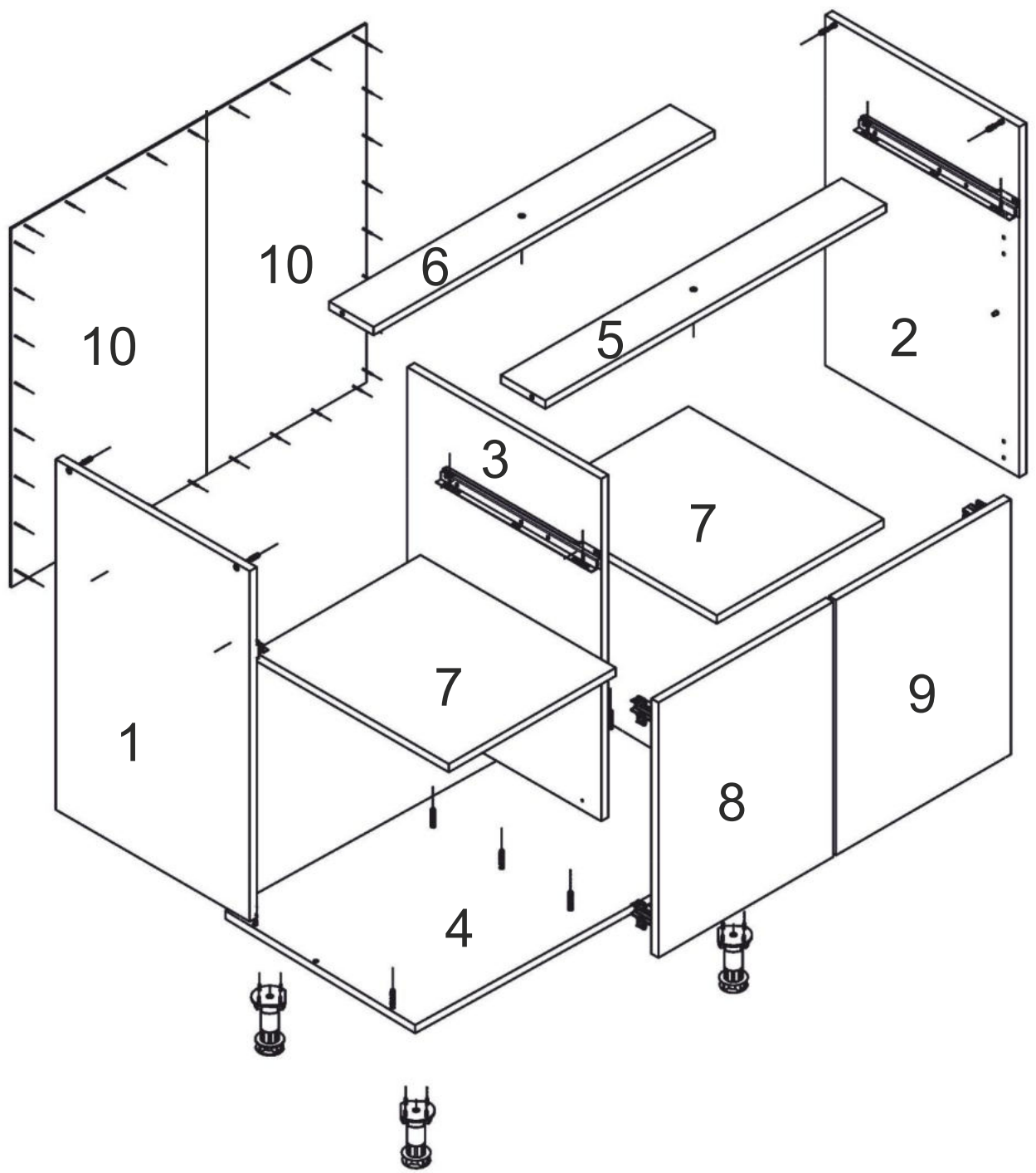


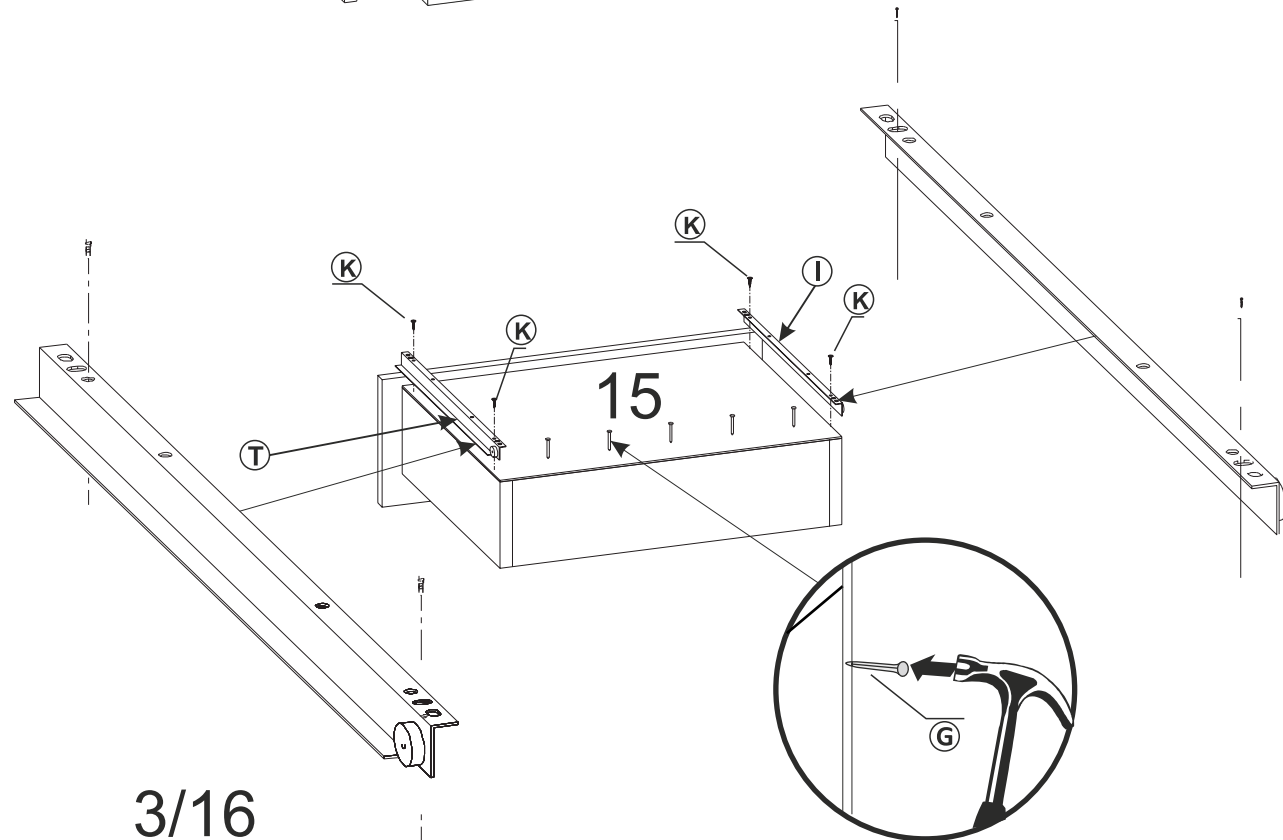
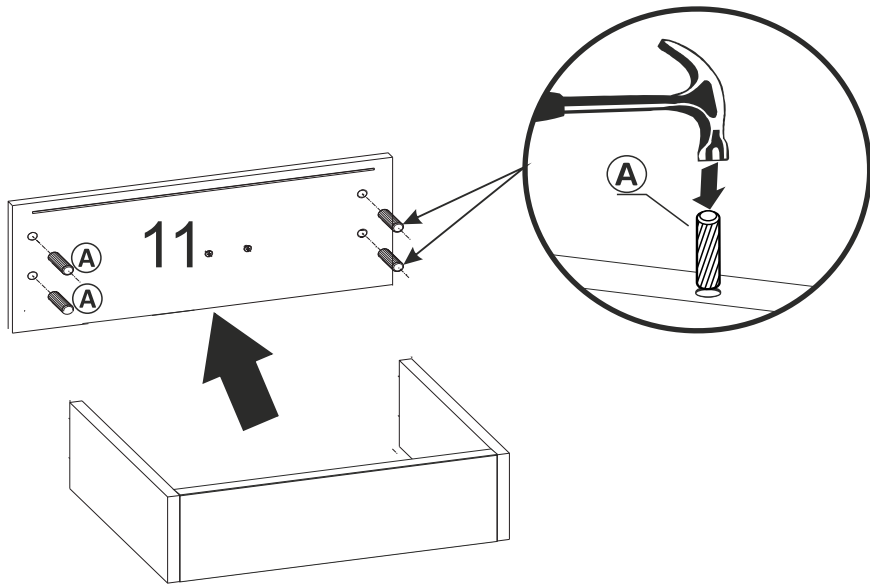
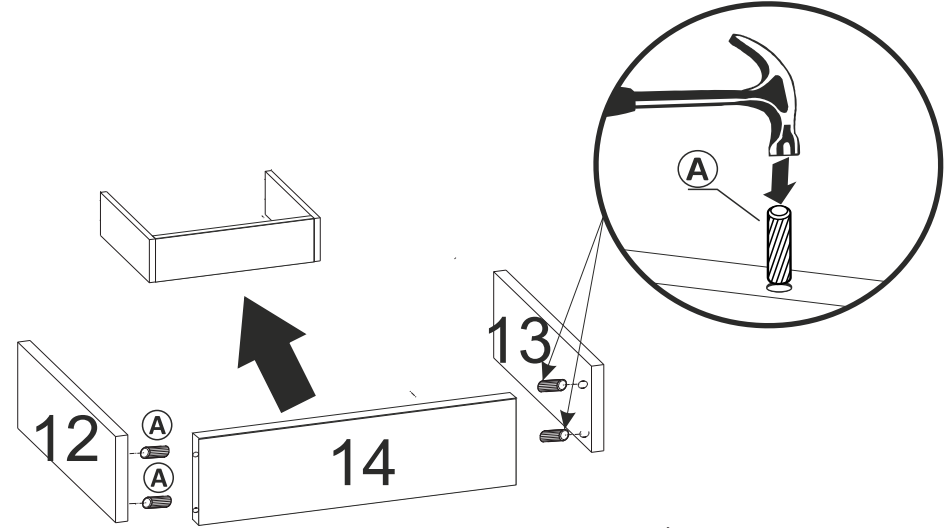
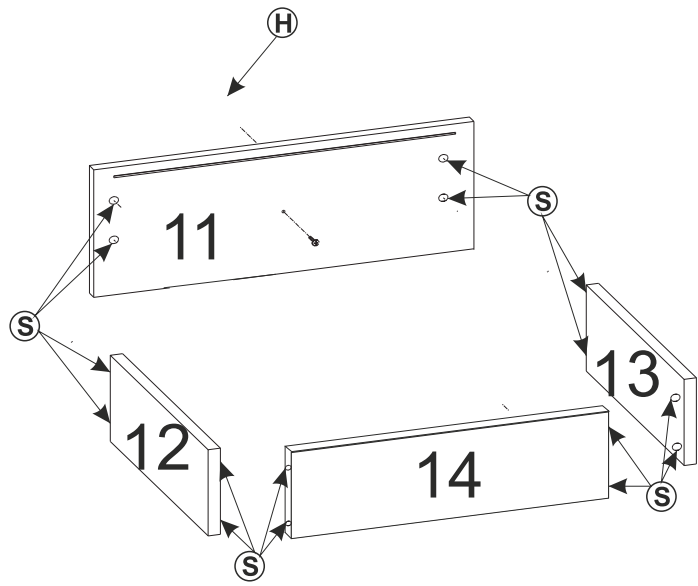
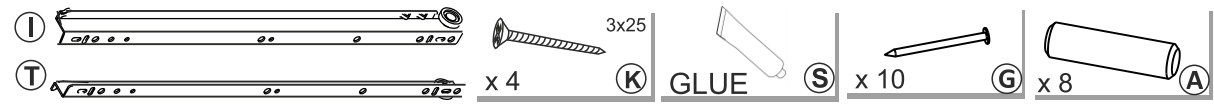


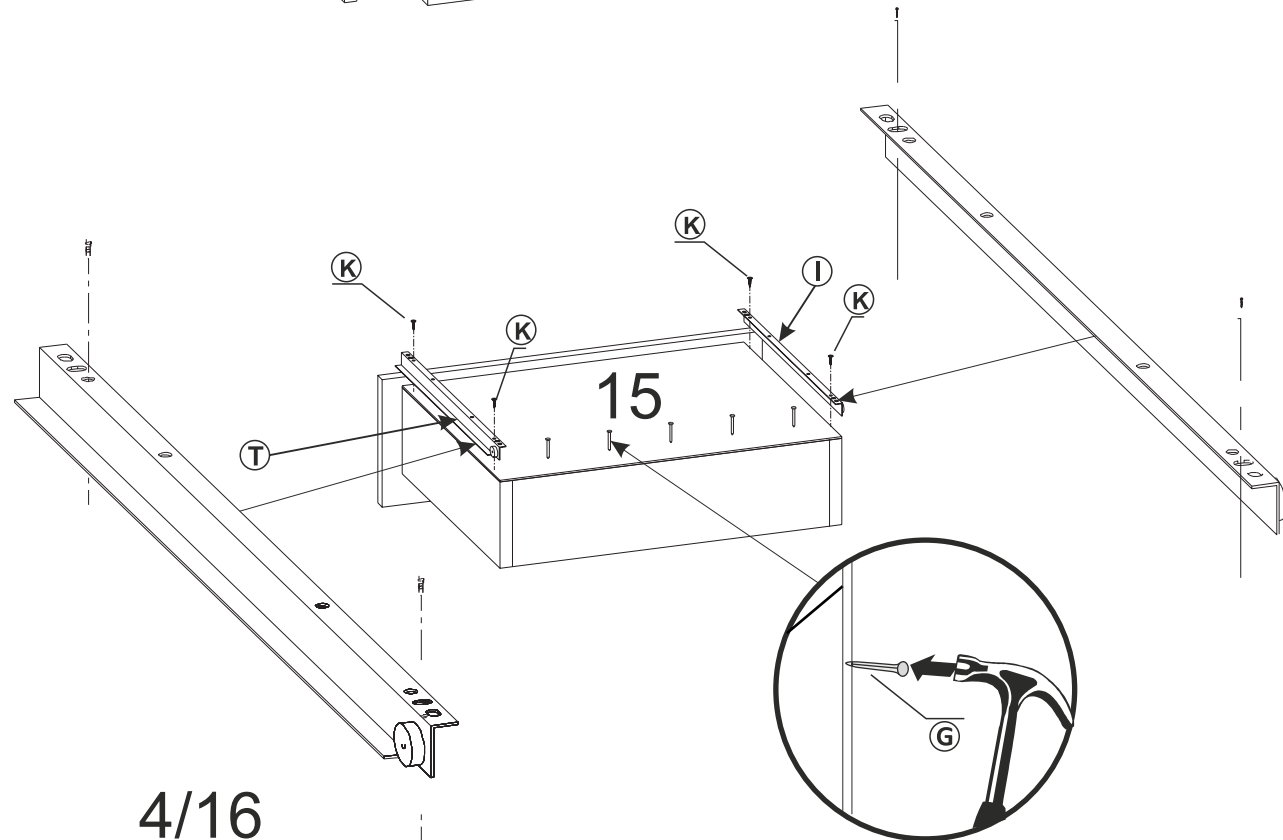
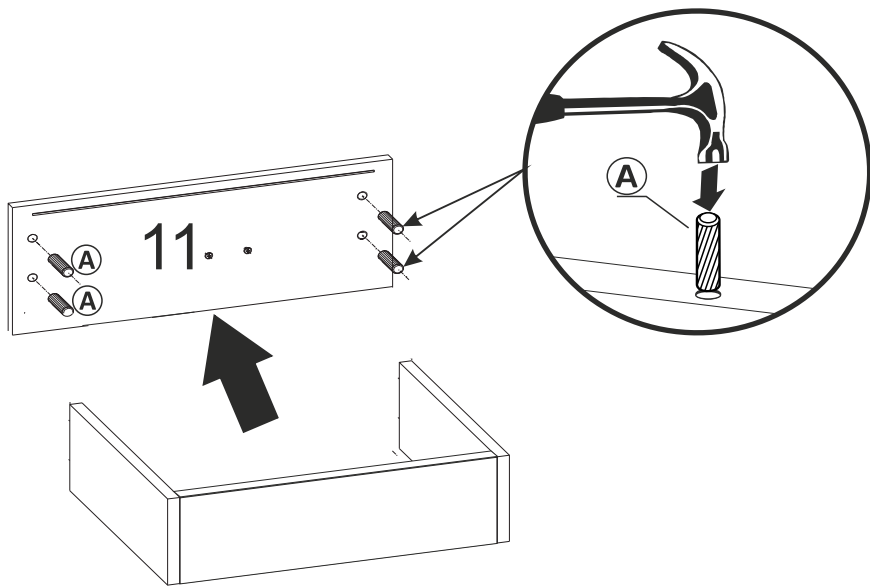
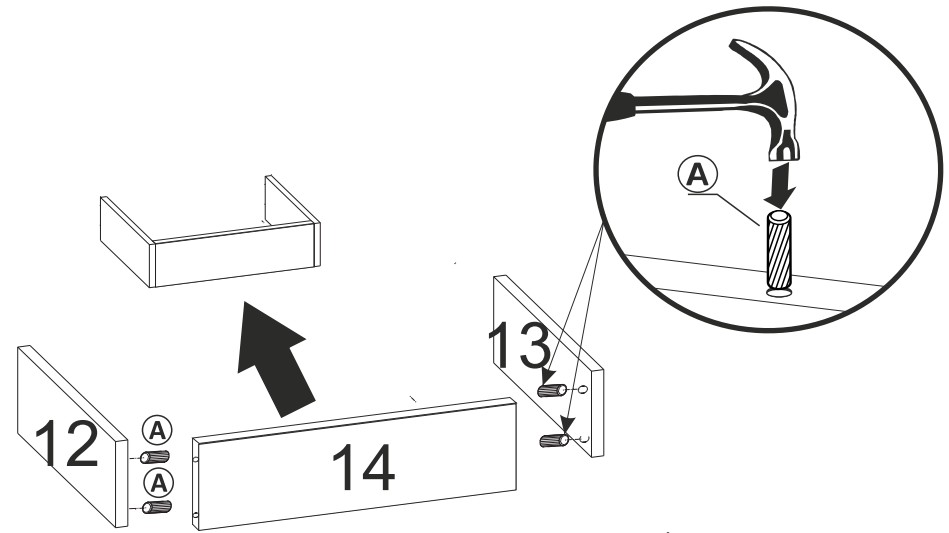
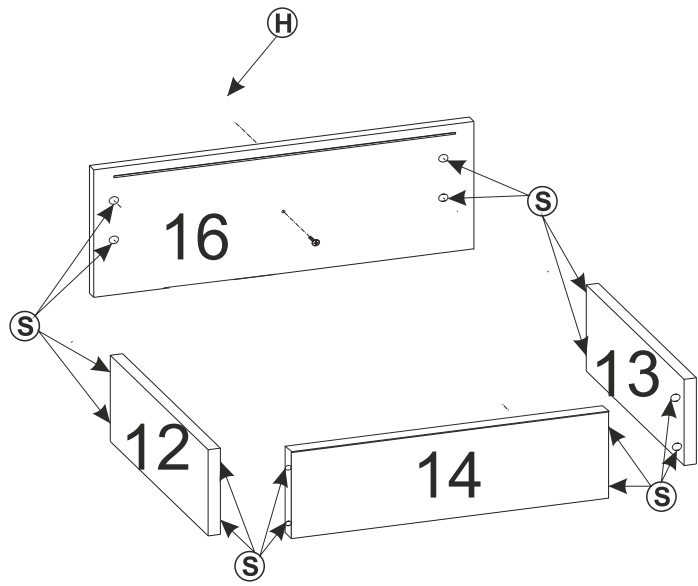
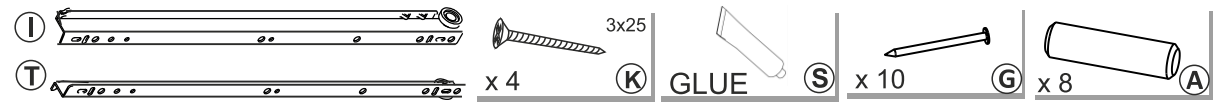
MAZE D-80 2D2S

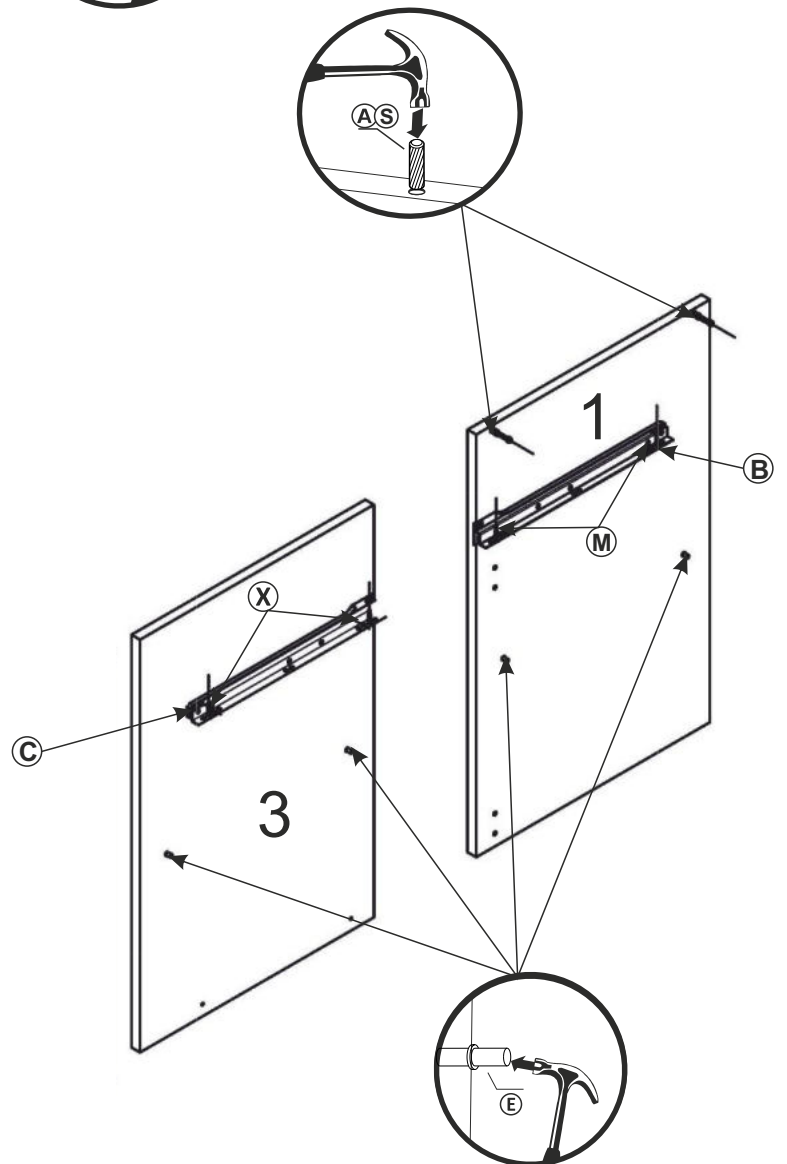
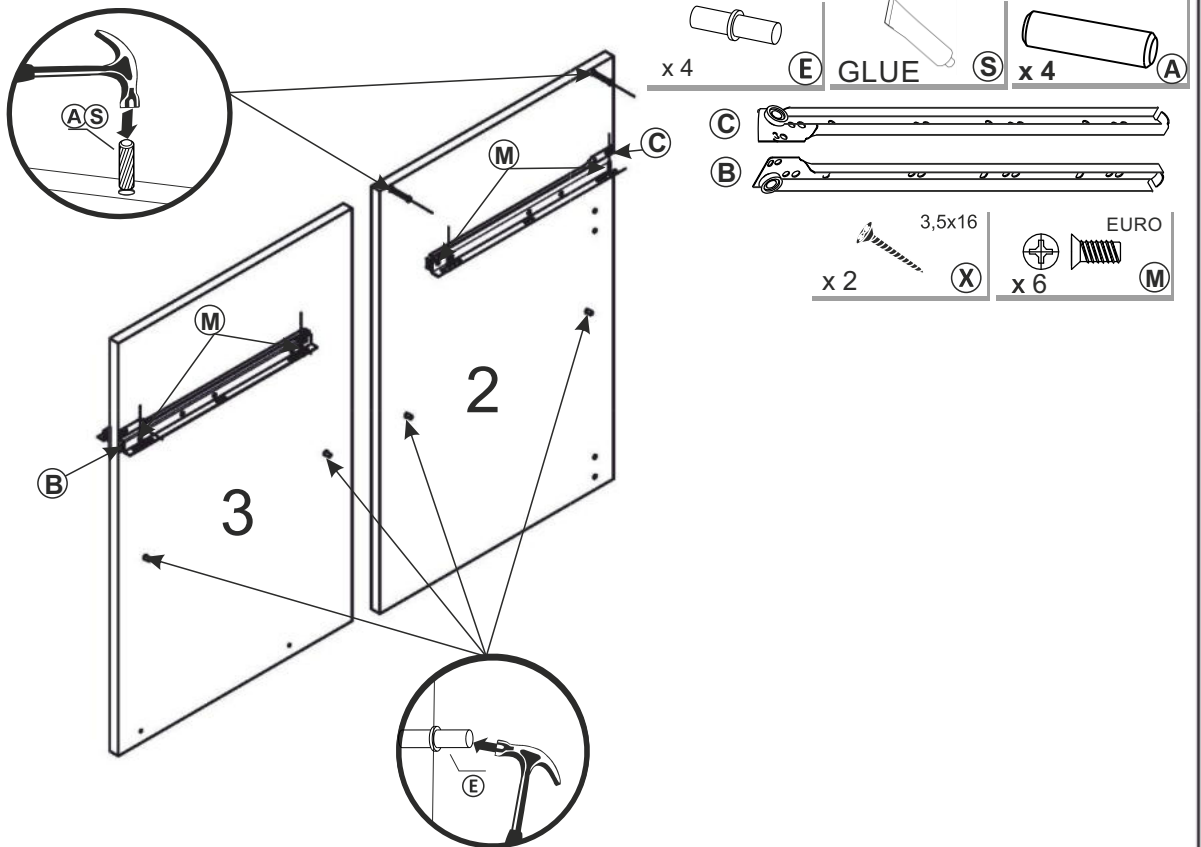
MZE03

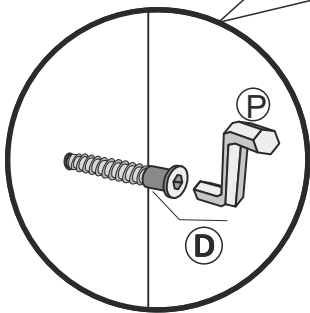
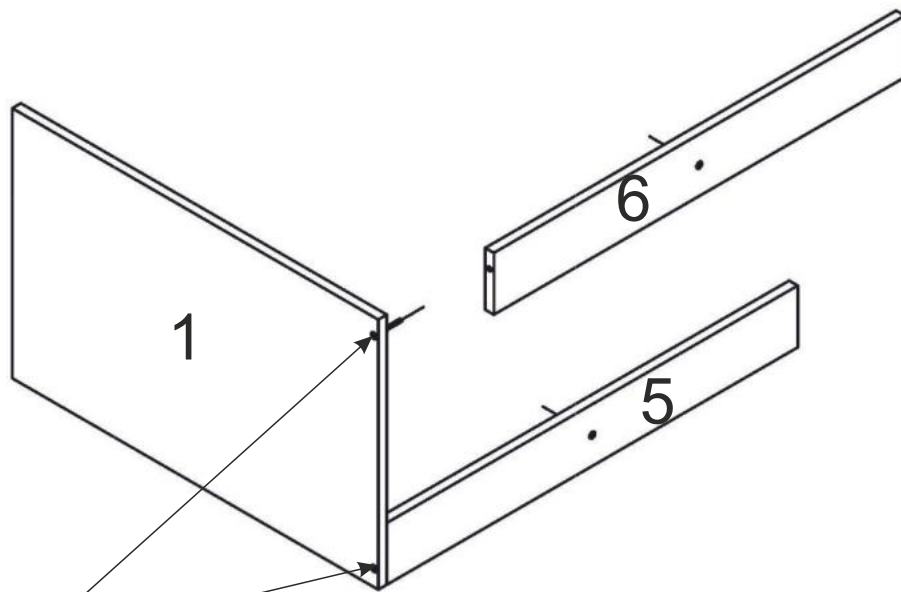
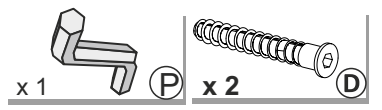


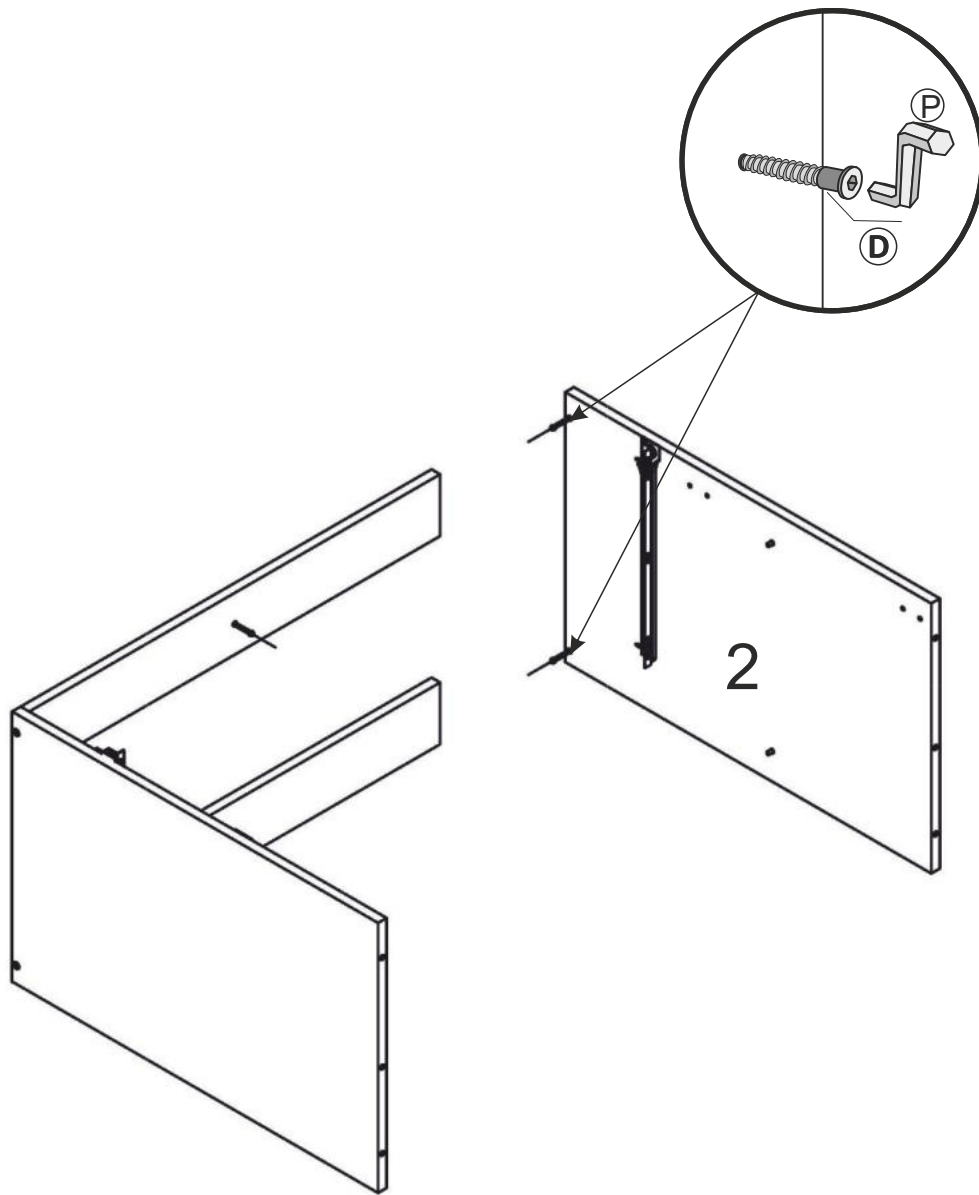
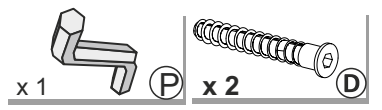


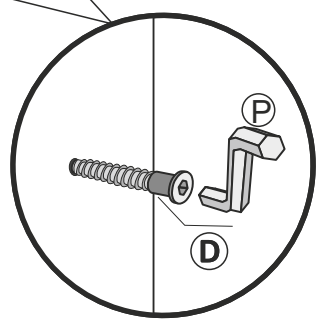
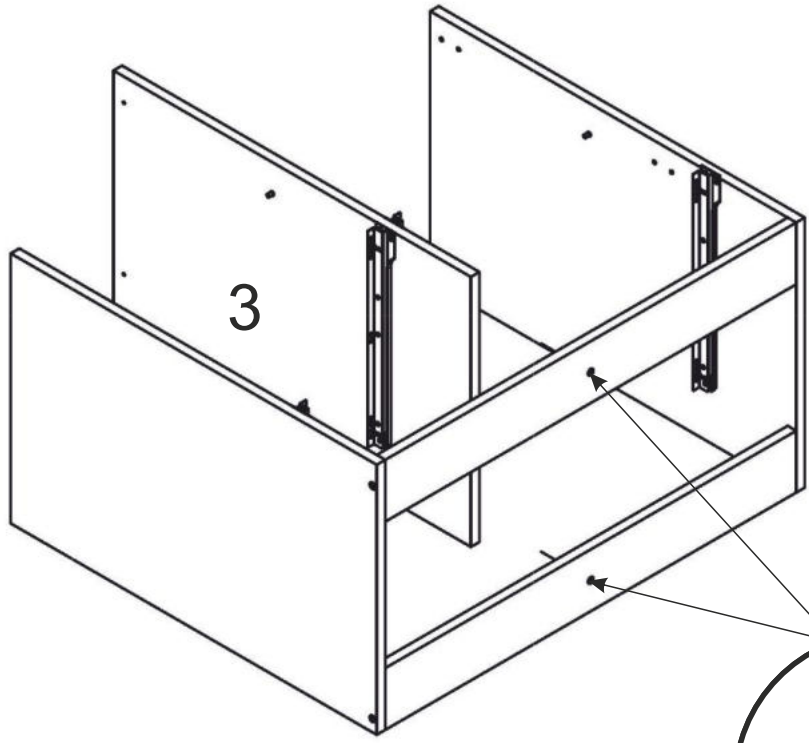
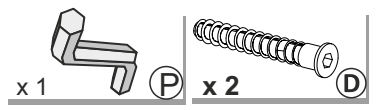


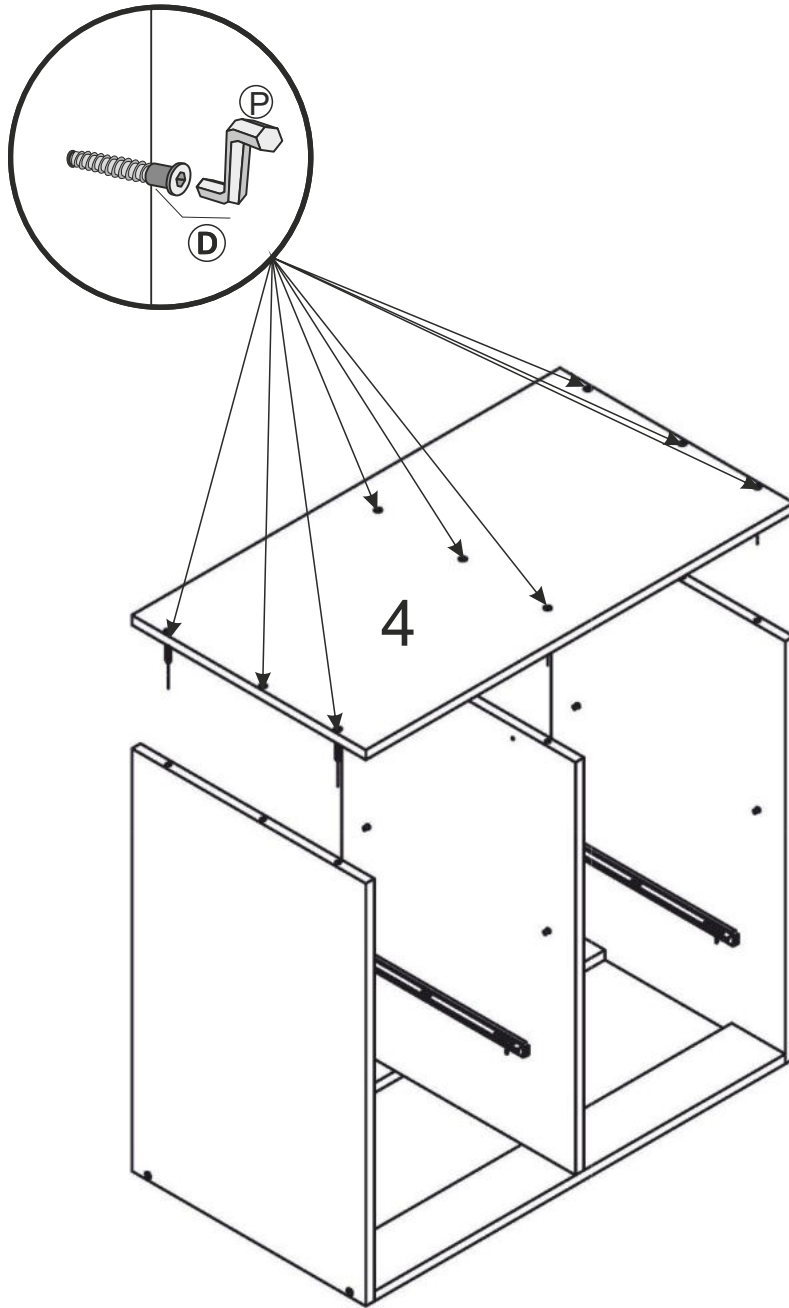
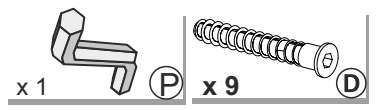






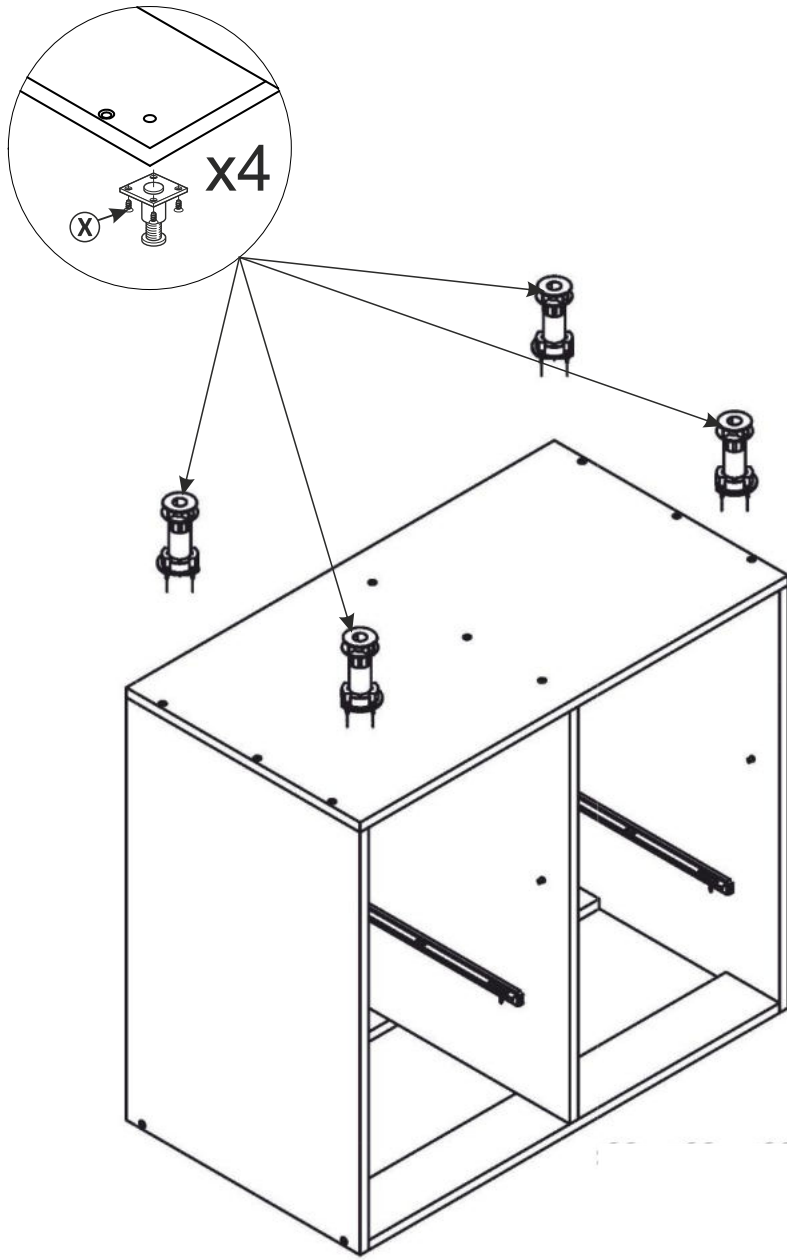


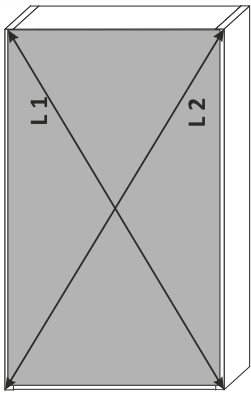




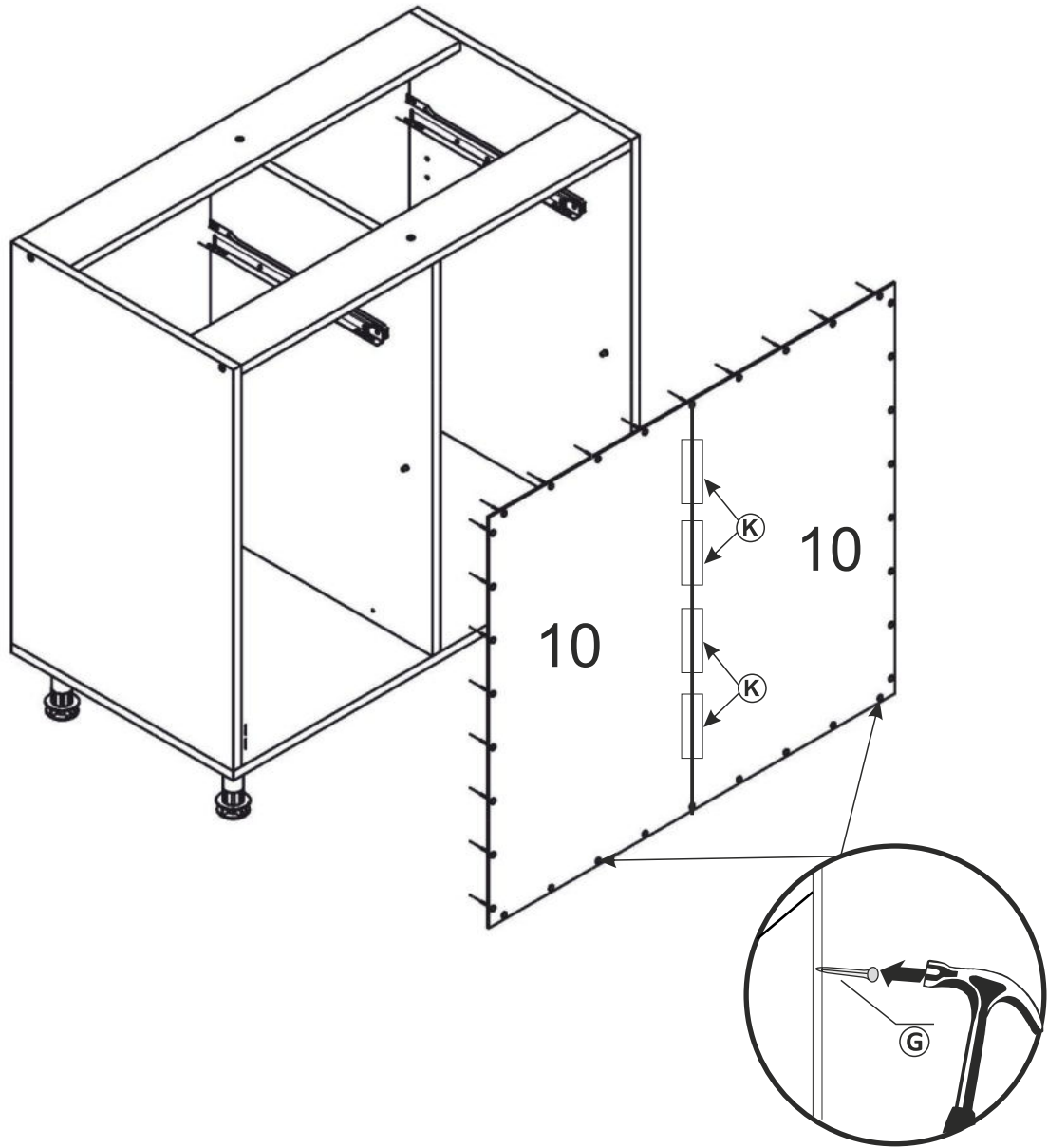
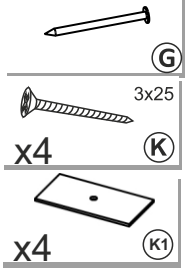
3,5x16
x 16 (X)

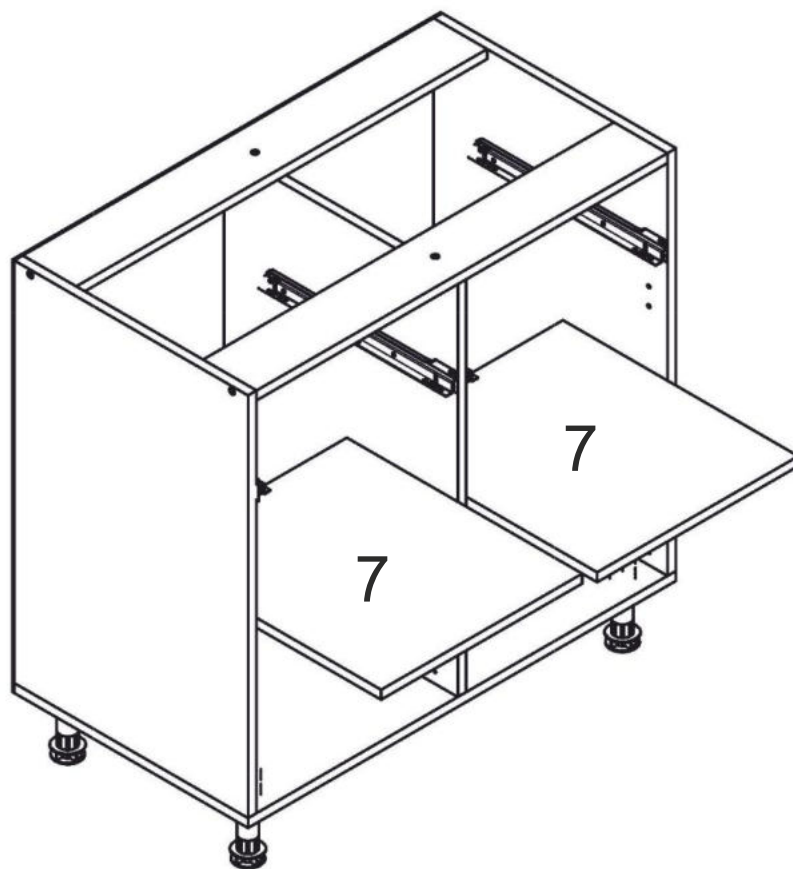
x 4 (N)

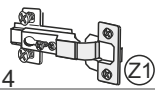





L1 = L2





x 4  (Z) x 8  3,5x16 (X)

