





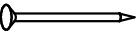


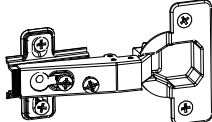
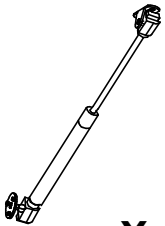
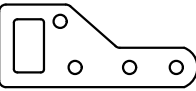
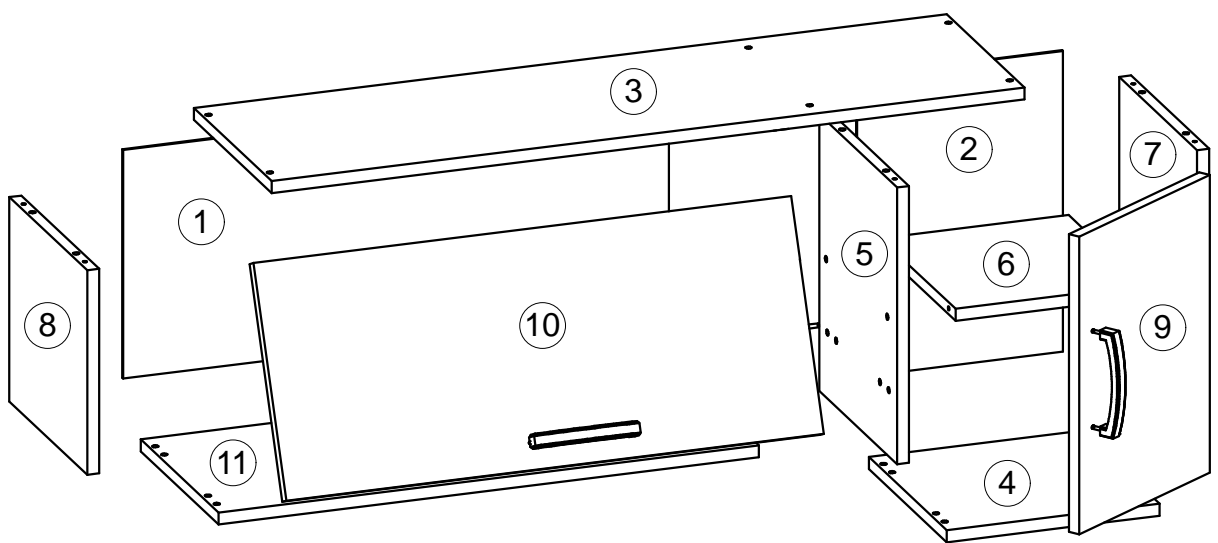




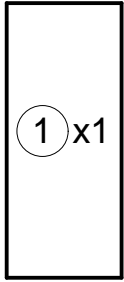


|   |  |  |   |  |
|---|--|--|---|--|
| <br>Ø6,3x50 mm<br><b>A1 x 18</b> | <br>Ø12 mm<br><b>A2 x 18</b>    | <br>4 mm<br><b>A3 x 1</b>     | <br>Ø4x16 mm<br><b>D1 x 16</b> | <br>Ø4x30 mm<br><b>D2 x 8</b> |
| <br>Ø4,2x32 mm<br><b>D3 x 4</b>  | <br>Ø1,6x25 mm<br><b>F x 38</b> | <br>Ø8x36 mm<br><b>G x 14</b> | <br><b>H x 2</b>               | <br><b>M x 4</b>             |
| <br><b>X x 2</b>               | <br>Ø5x16 mm<br><b>U x 2</b>  |  |   |  |
|   |  |  |   |  |
|   |  |  |   |  |

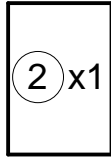


### Box 1

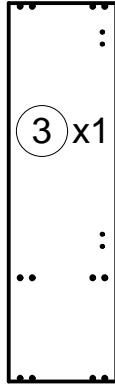
304x726x3 mm



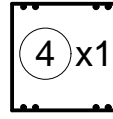
400x274x3 mm



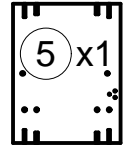
1000x284x16 mm



282x284x16 mm

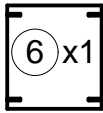


368x284x16 mm

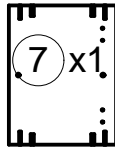


Fittings & Tools

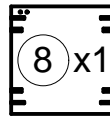
274x250x16 mm



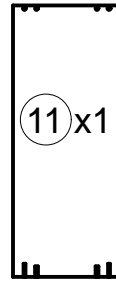
368x284x16 mm



272x284x16 mm

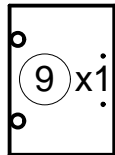


718x284x16 mm

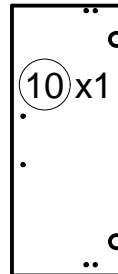


### Box

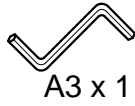
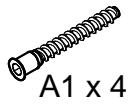
395x277x16 mm



299x714x16 mm



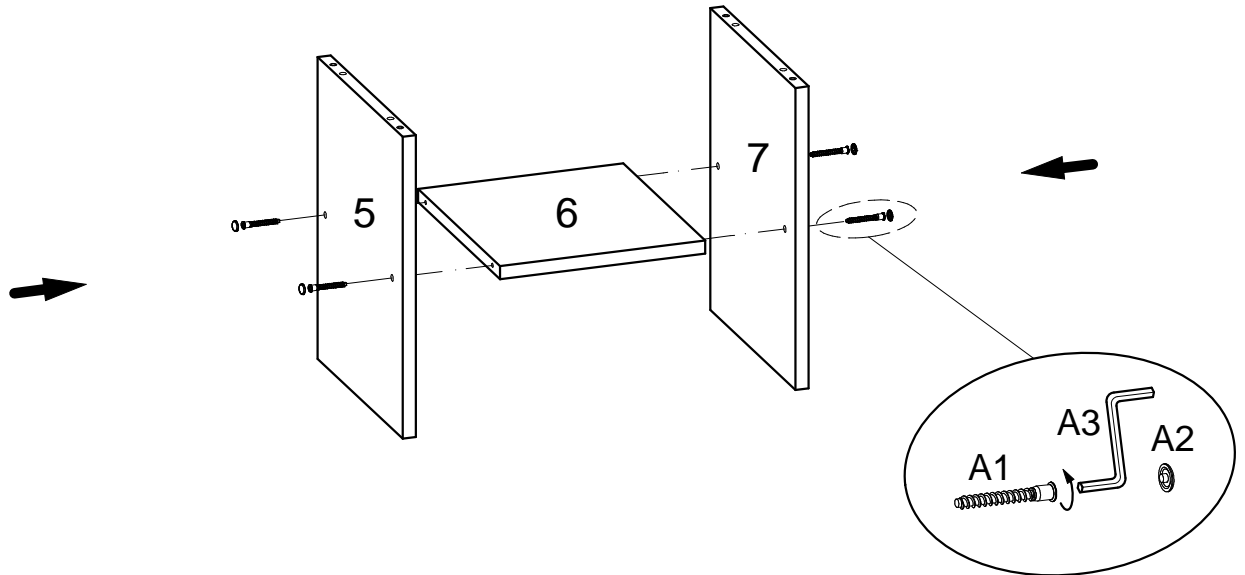
1



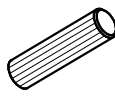
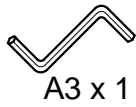
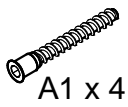
A1 x 4

A2 x 4

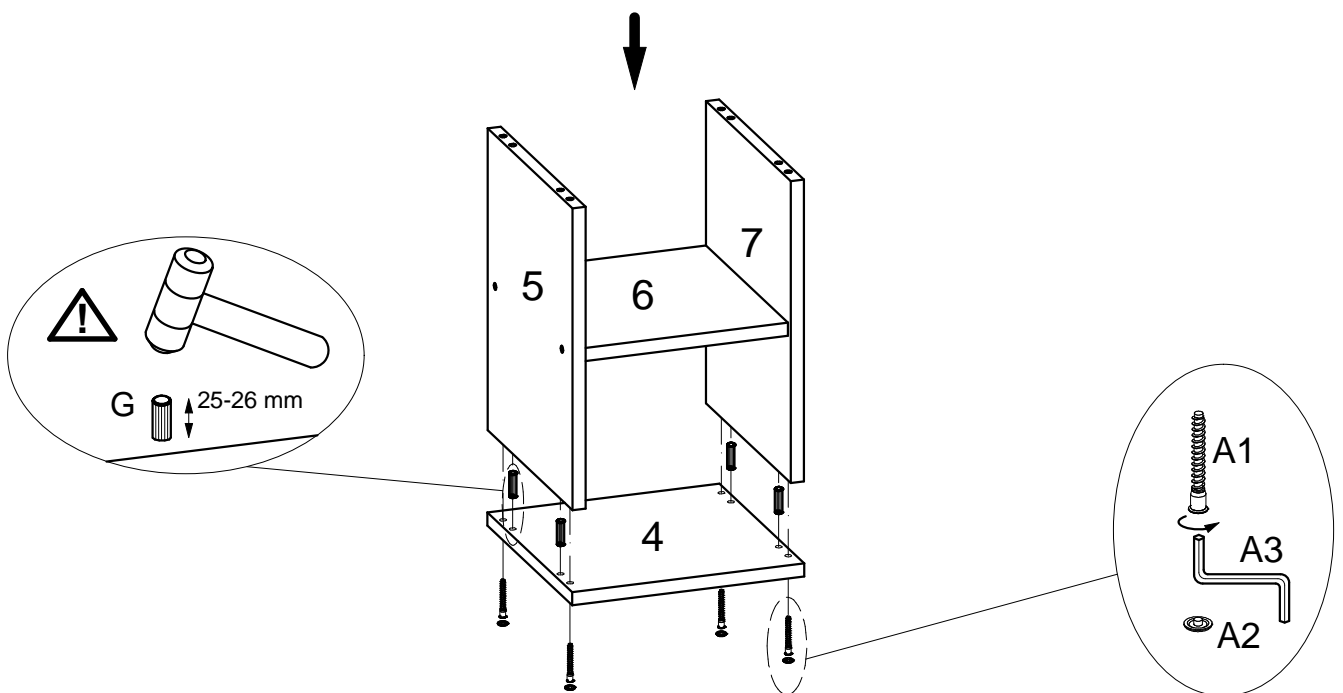
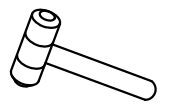
A3 x 1



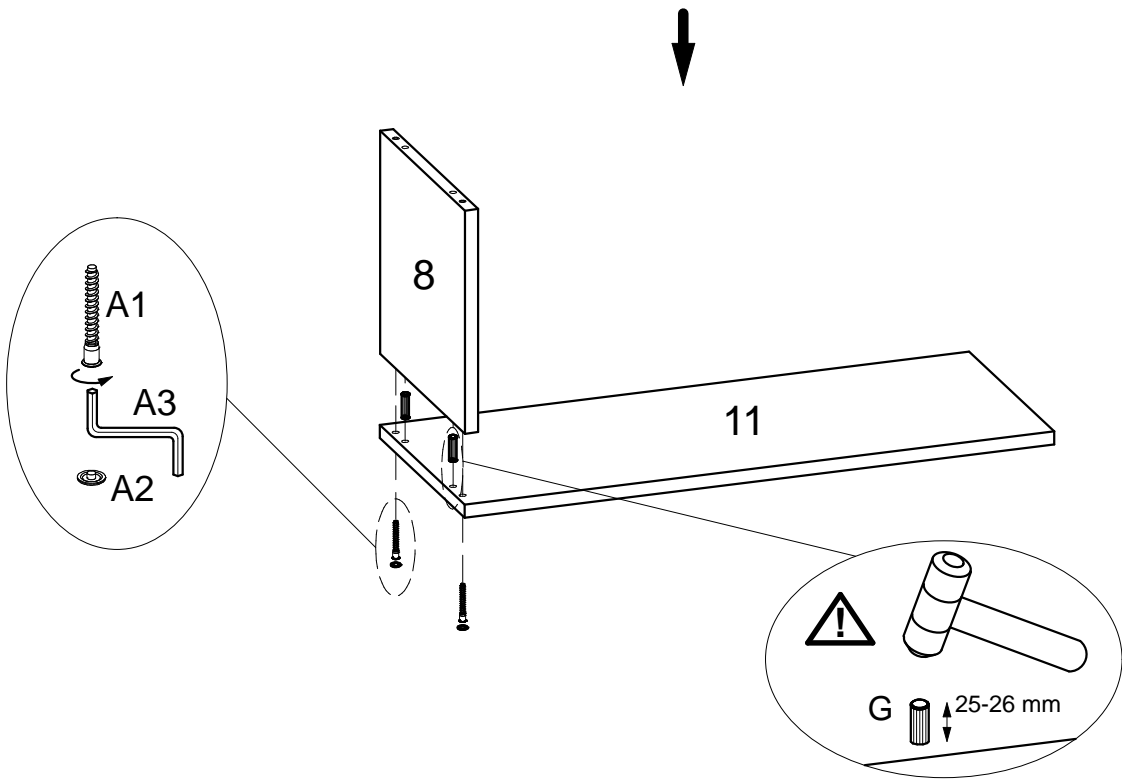
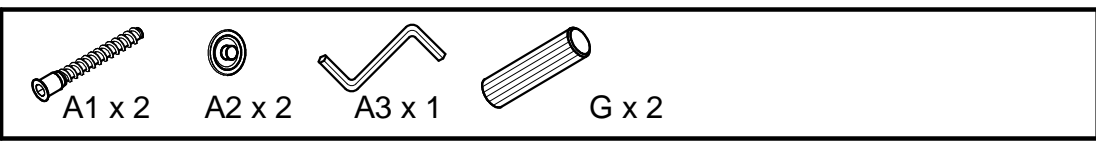
2



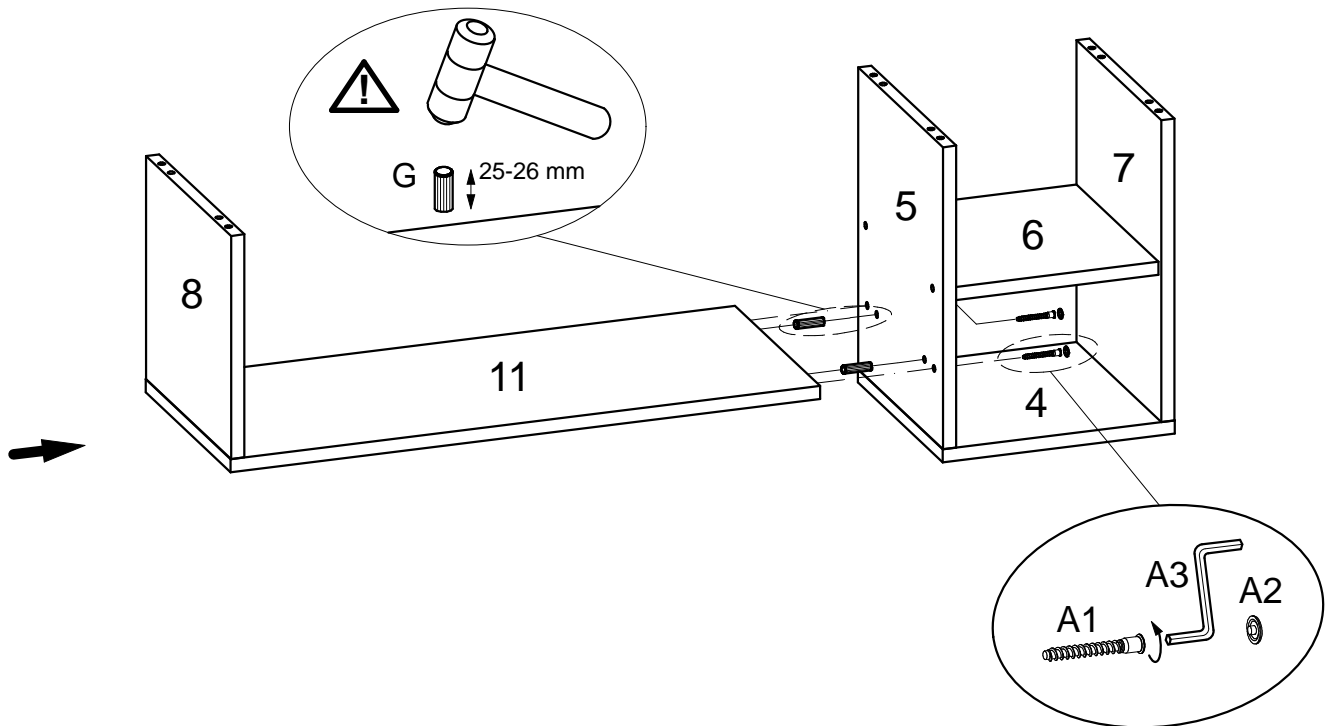
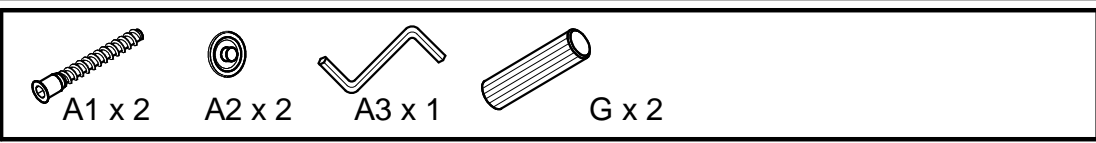
G x 4



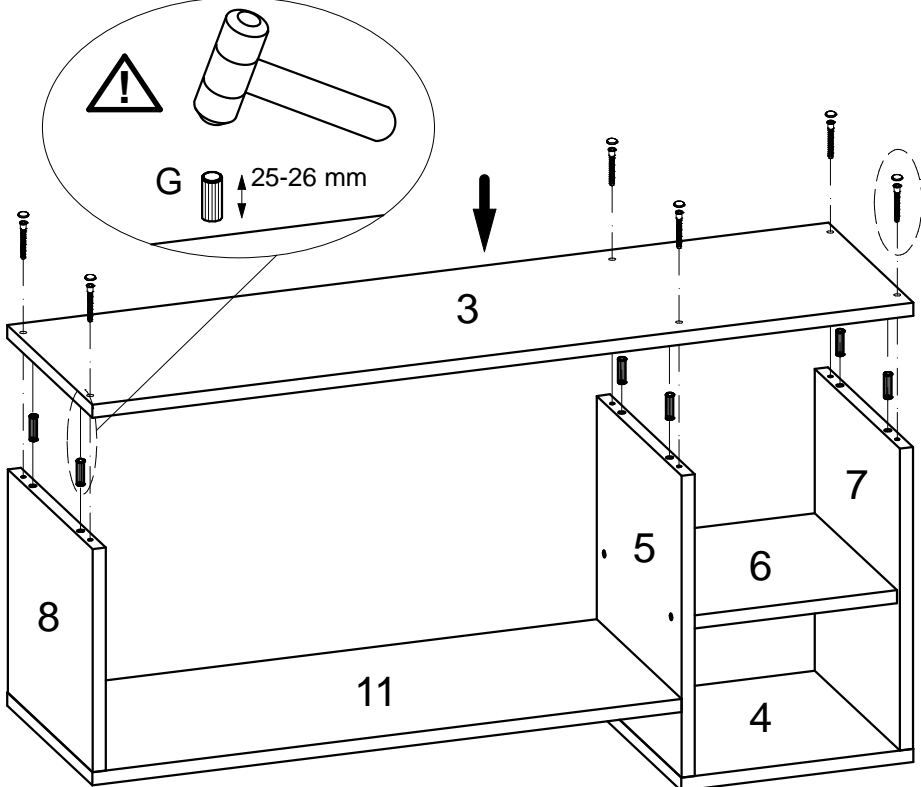
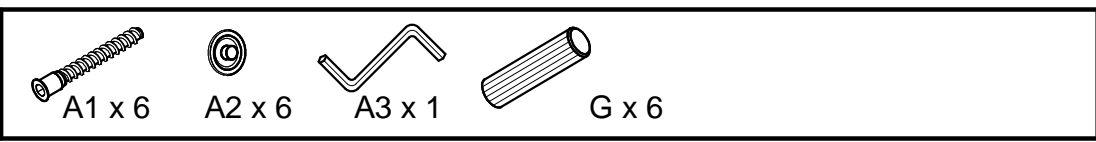
3



4



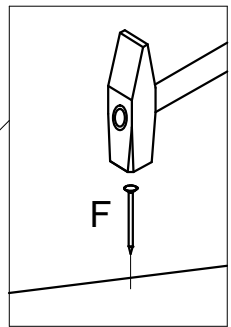
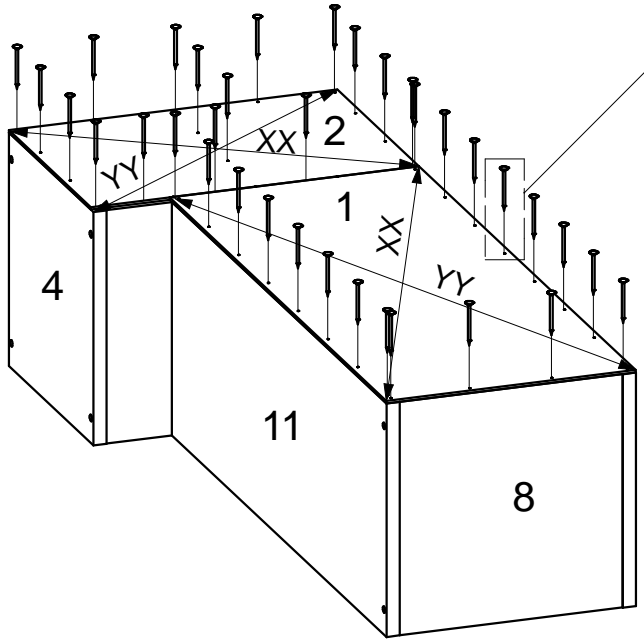
5



6



**!**  $XX=YY \cong 90^\circ$





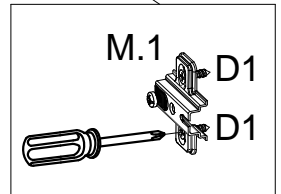
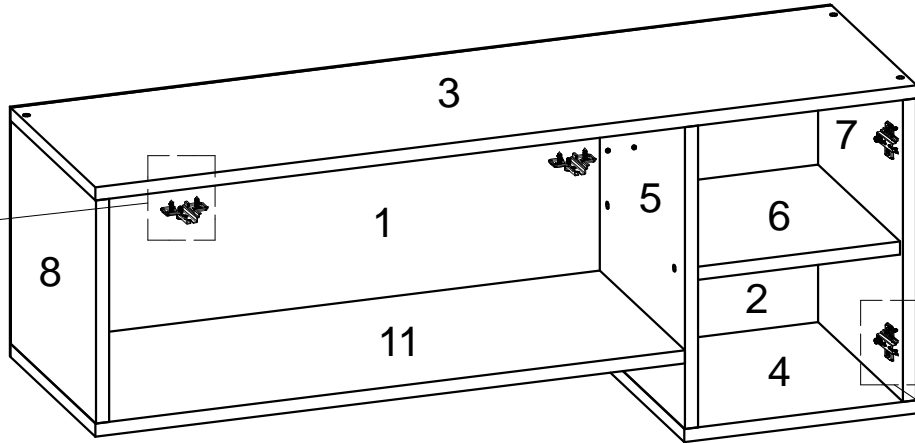
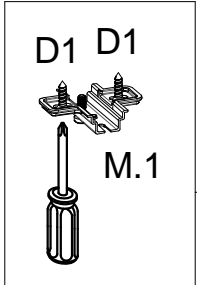
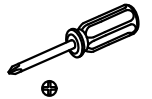
7



D1 x 8



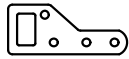
M.1 x 4



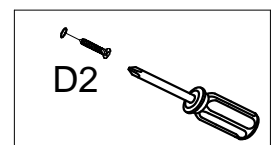
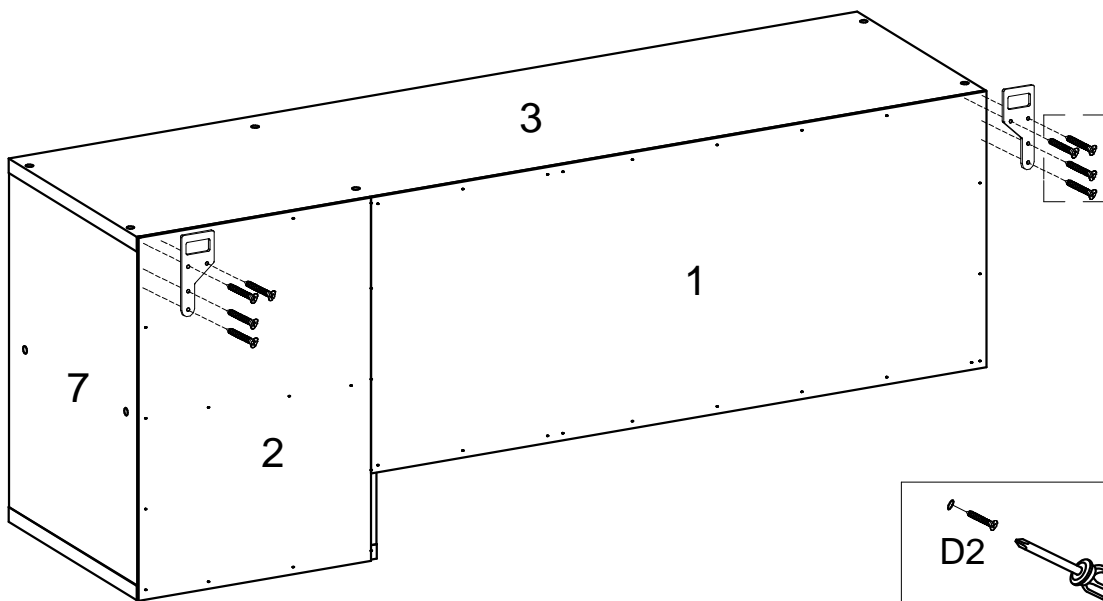
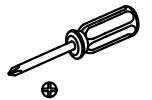
8



D2 x 8



U x 2



9

