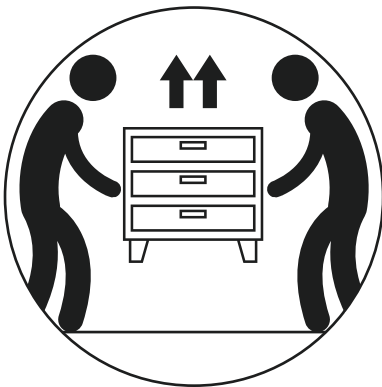
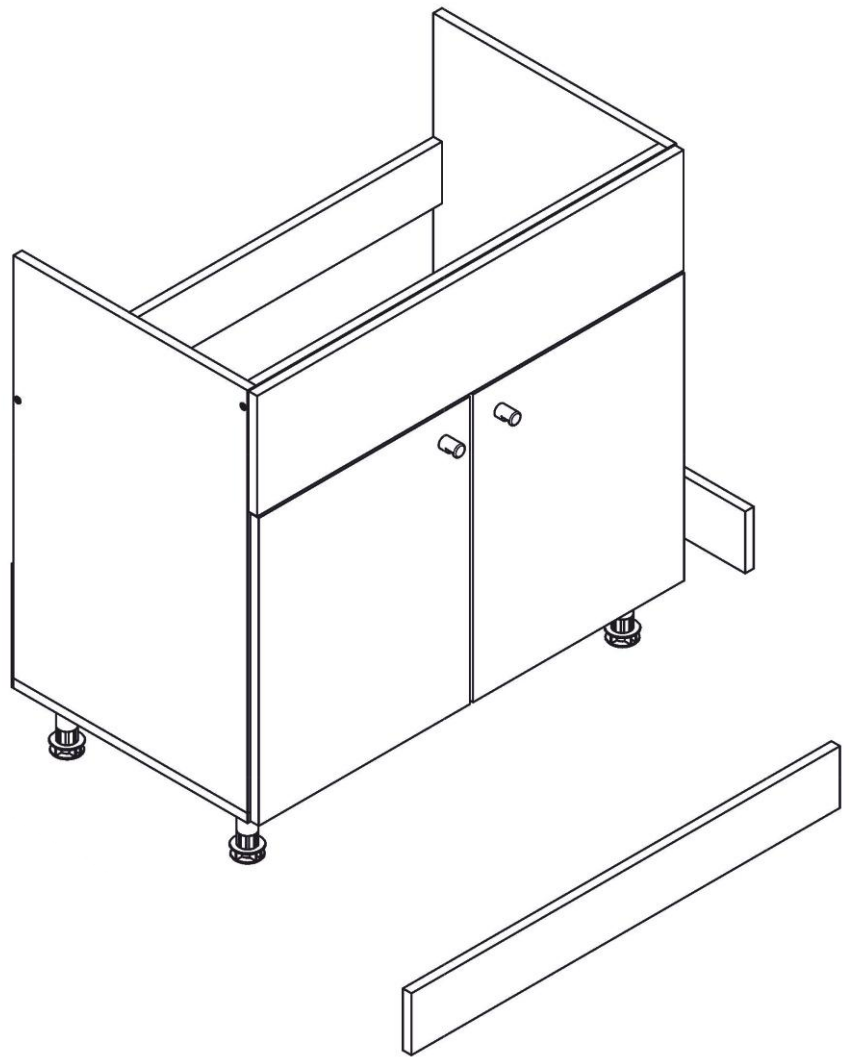
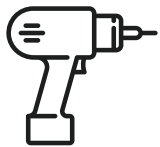
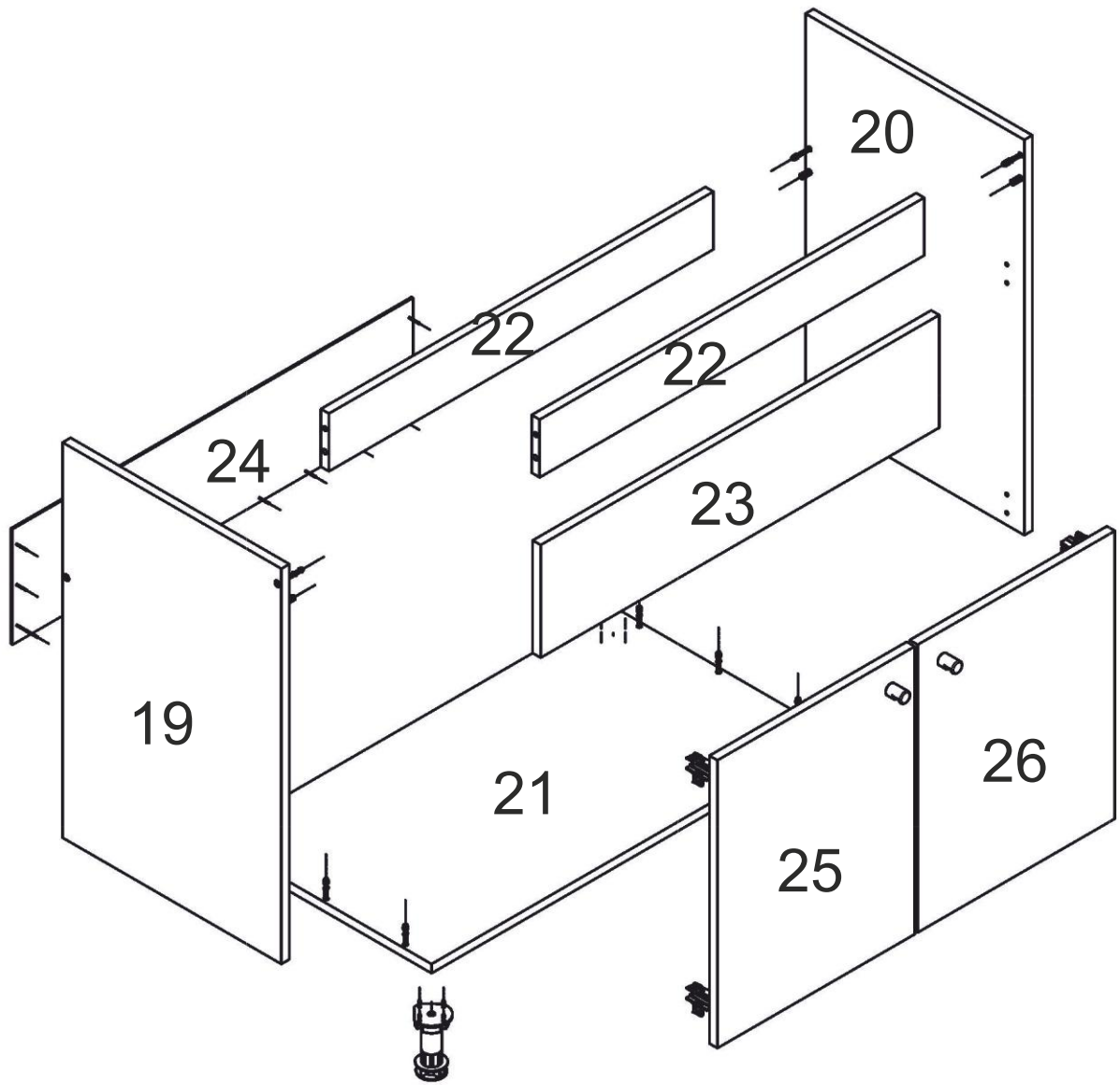


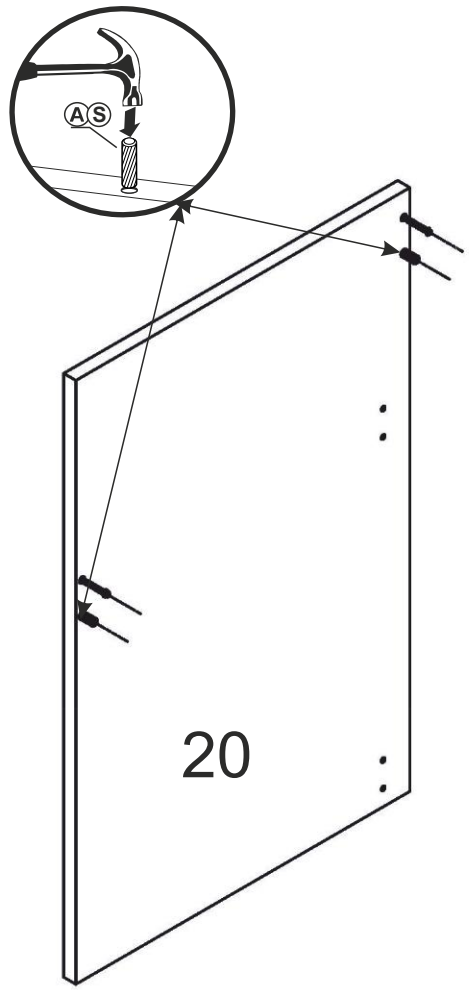
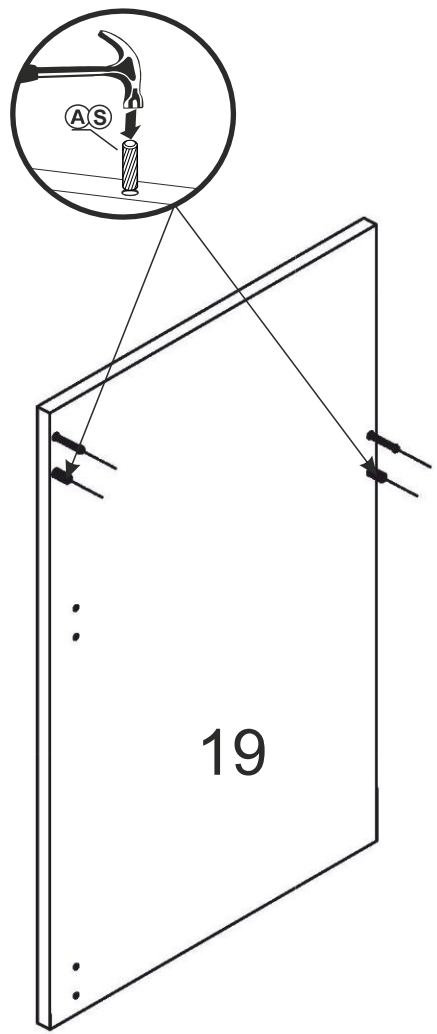


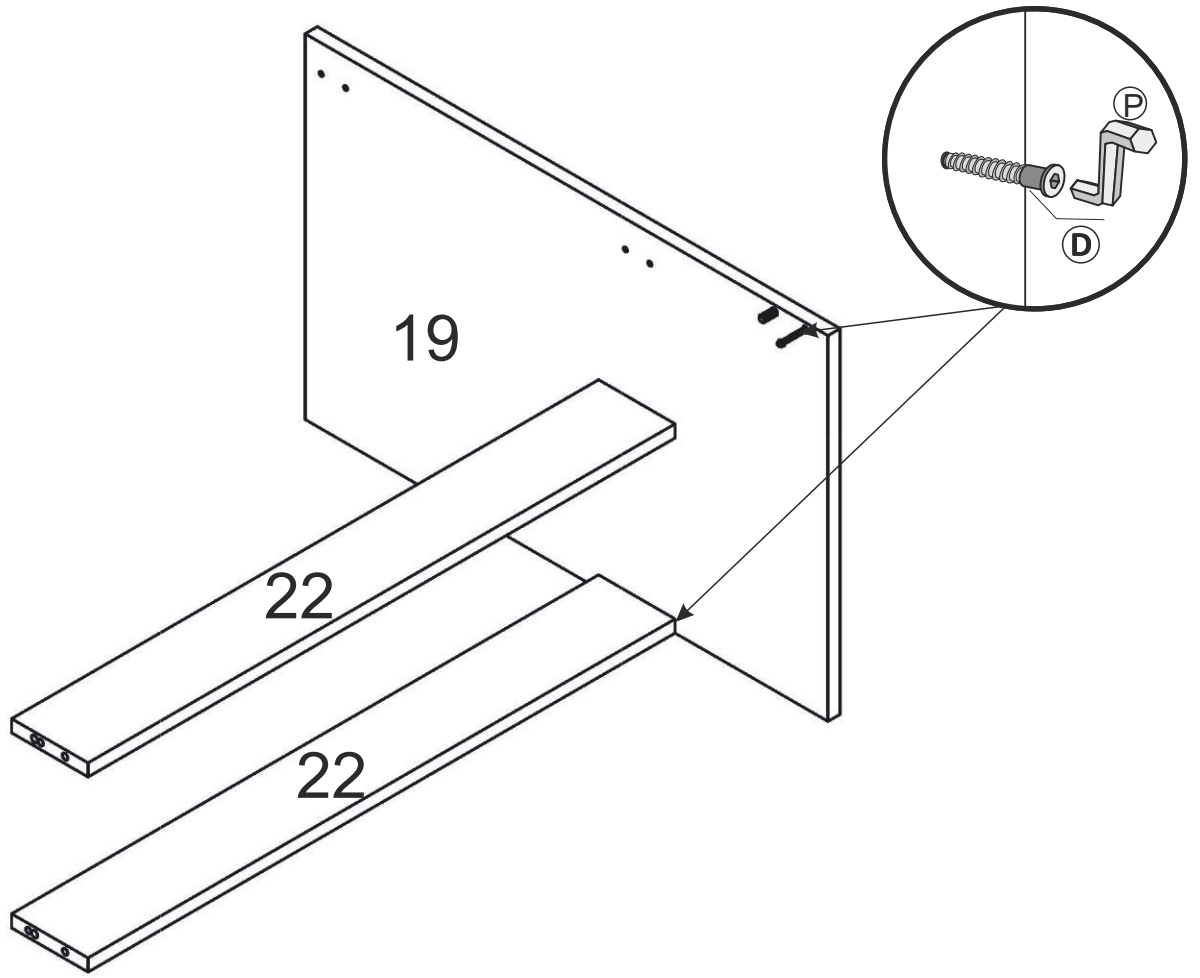
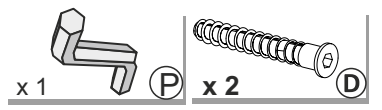
MAZE DZ-80 2D

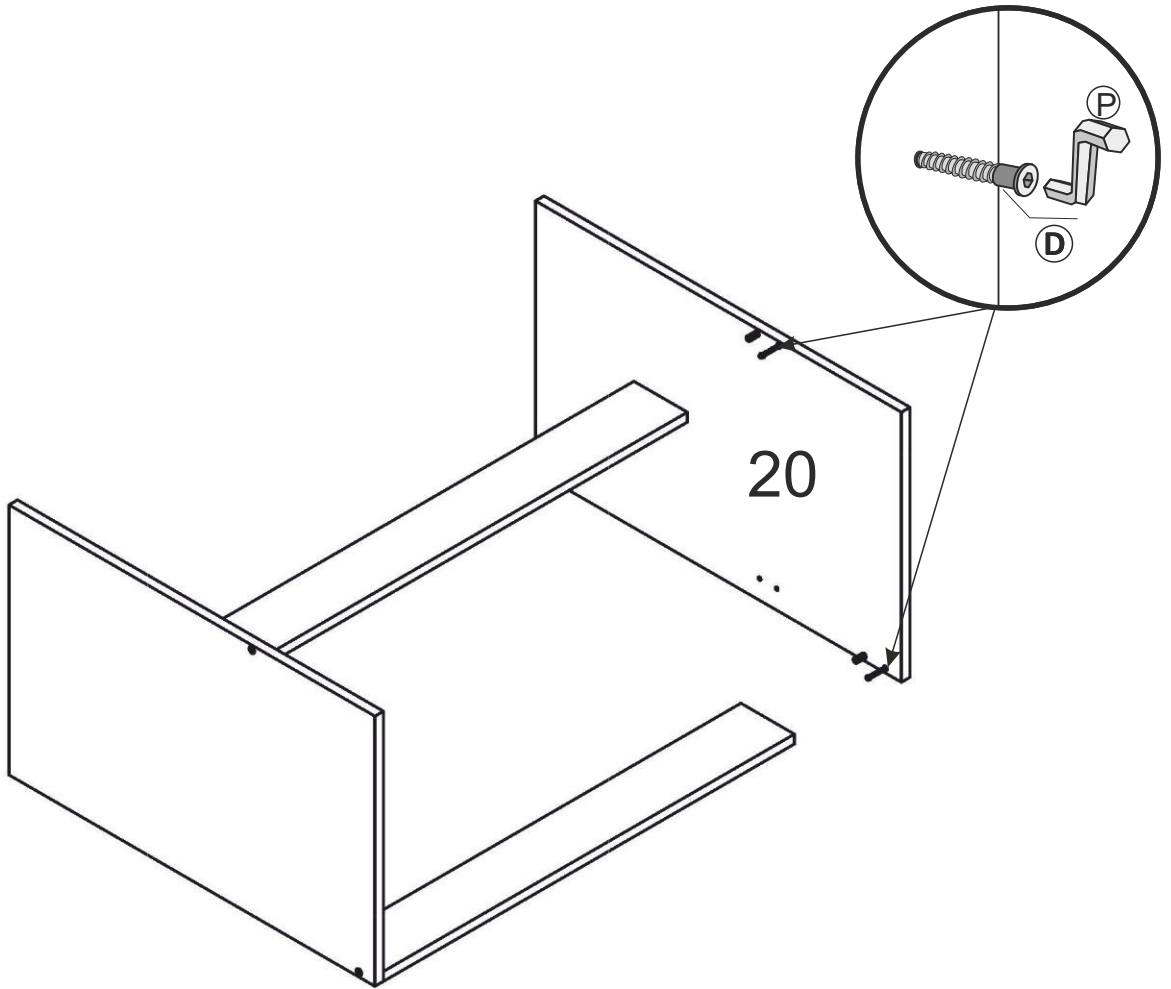
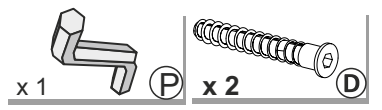
MZE03

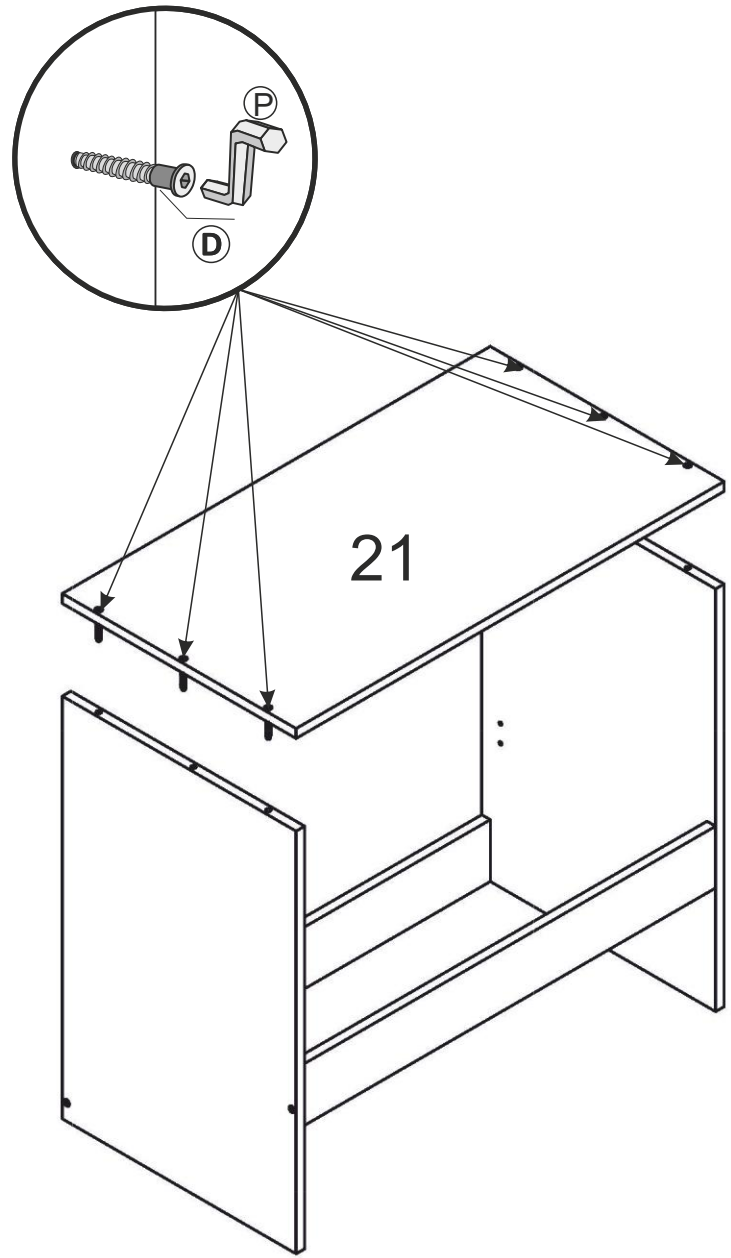
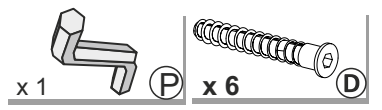






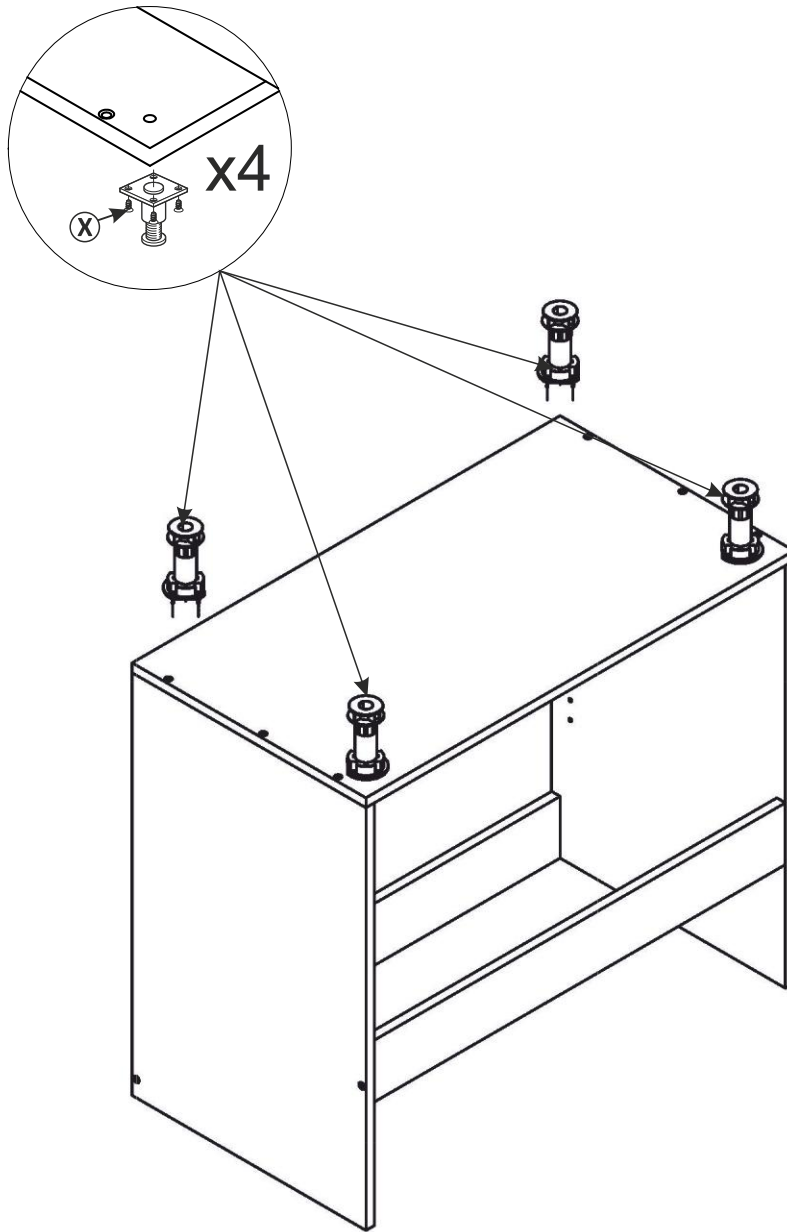


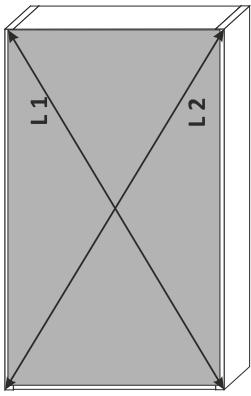




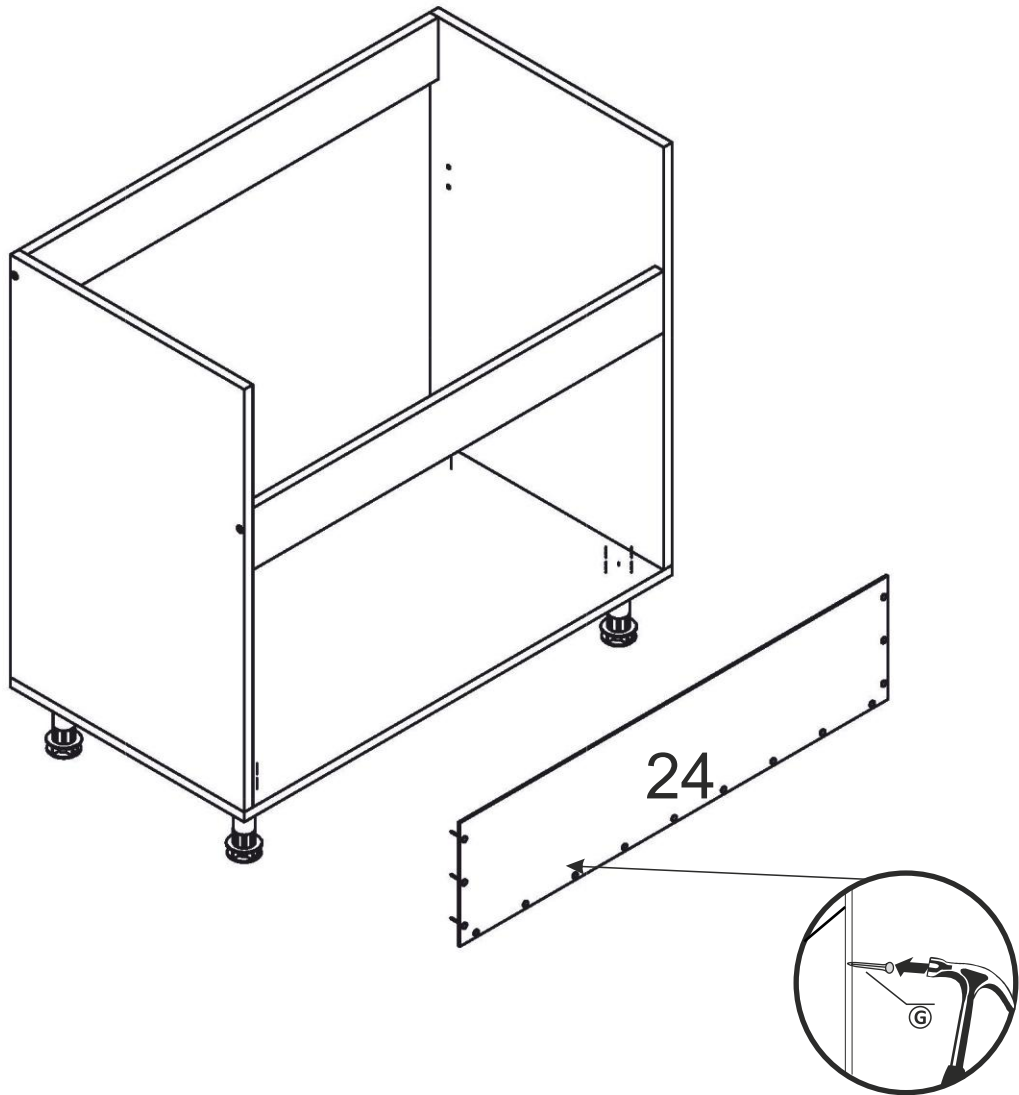
3,5x16
x 16 (X)

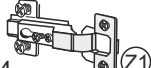

x 4 (N)





L1 = L2



x 4  (Z) x 8  3,5x16 (X)

