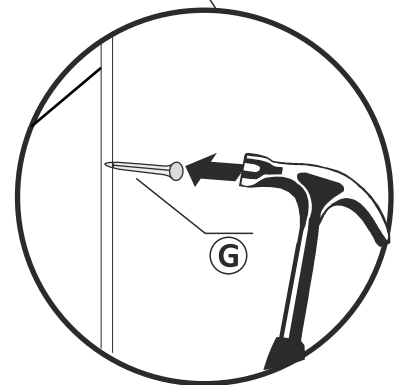
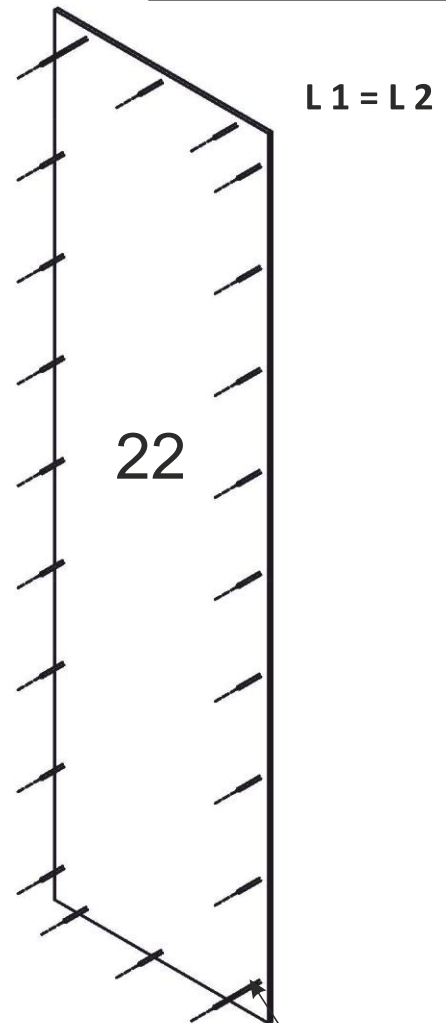
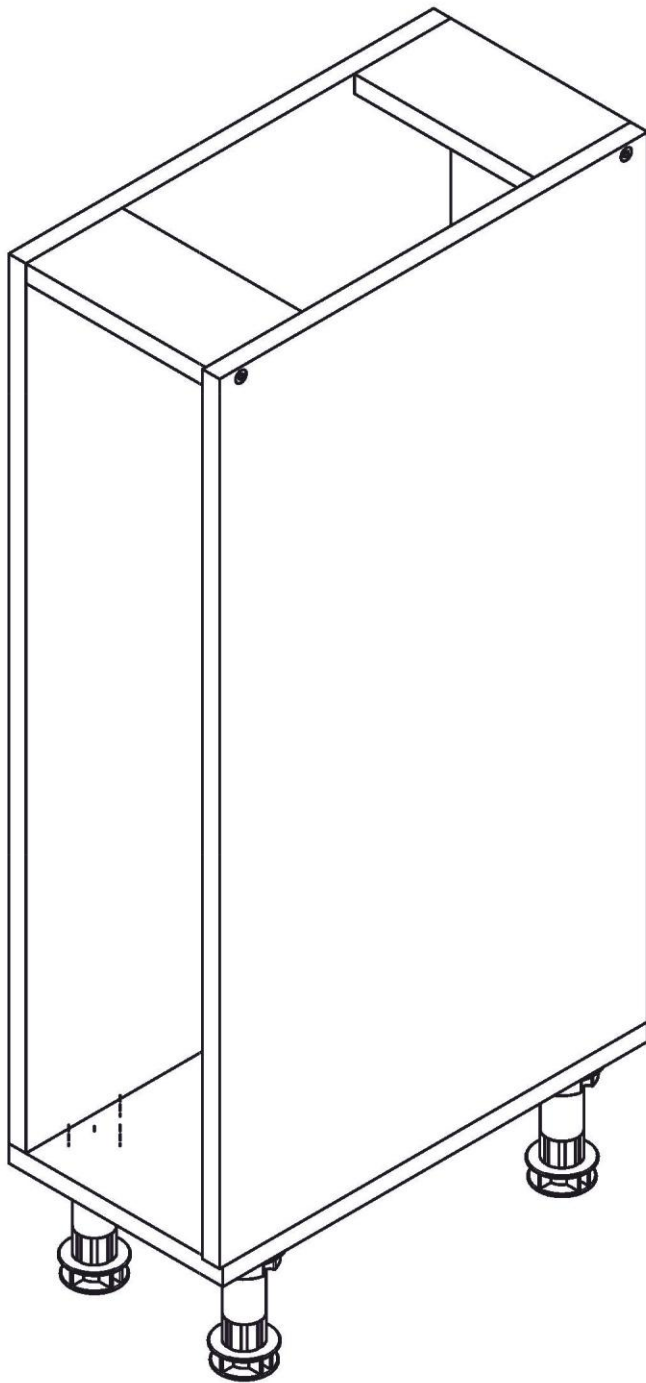
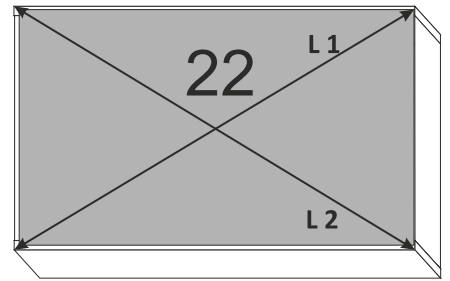
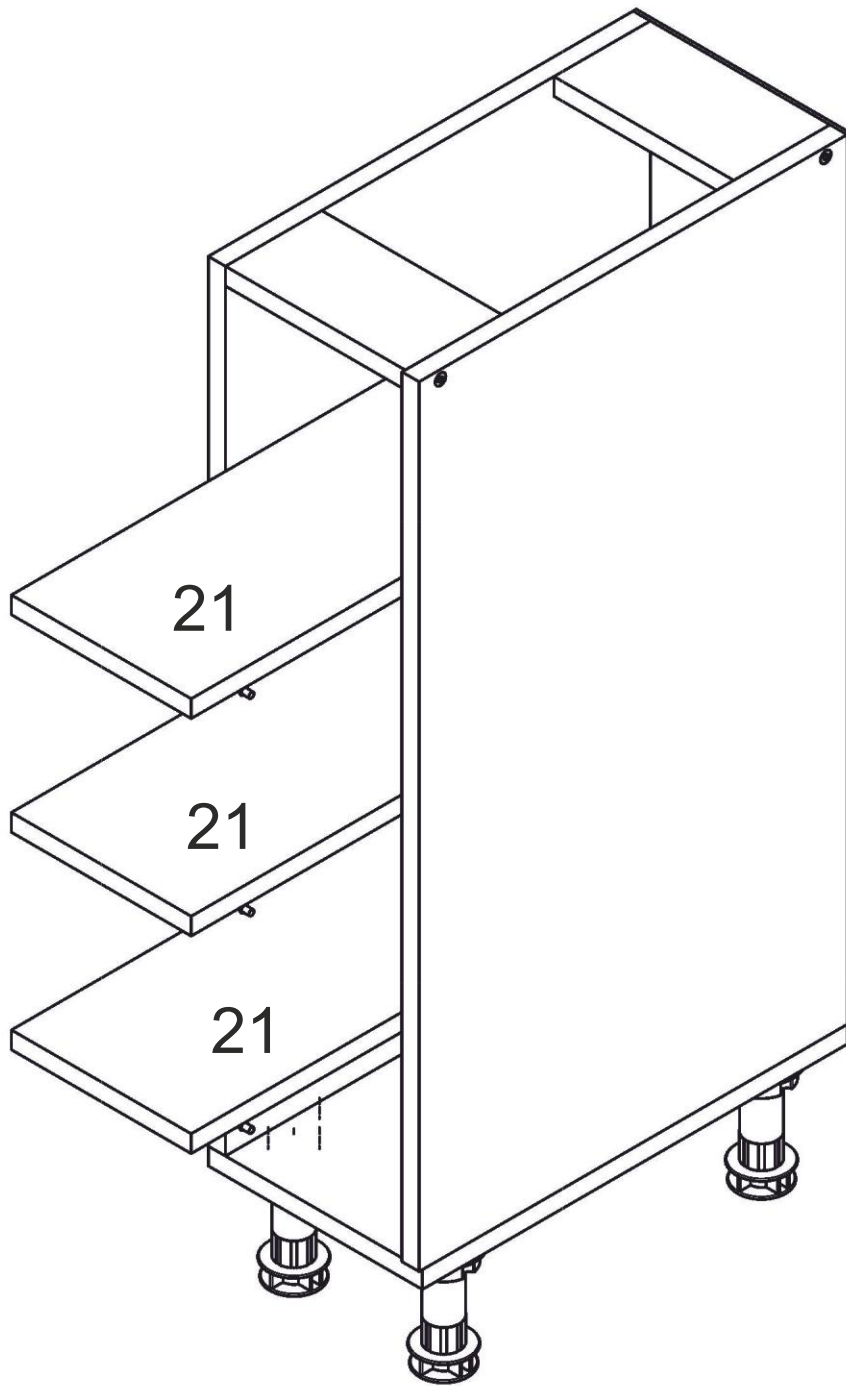
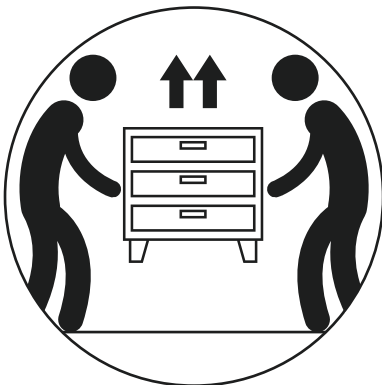
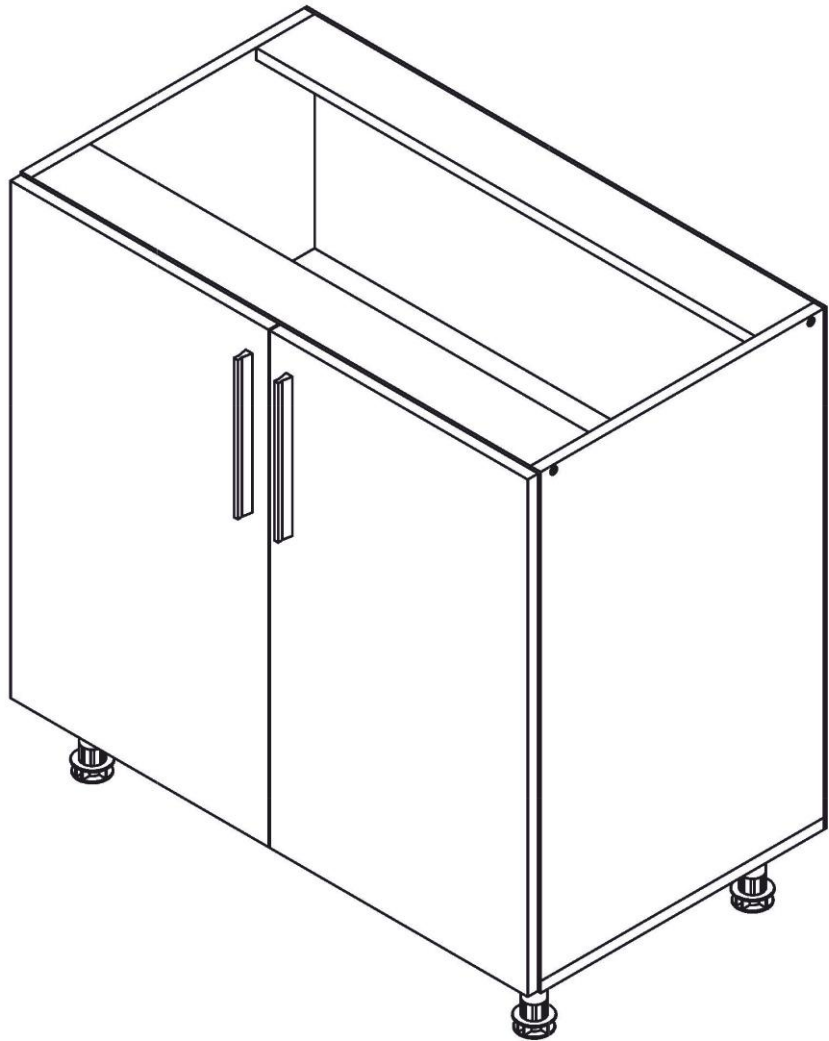
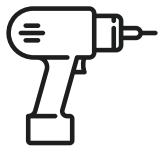
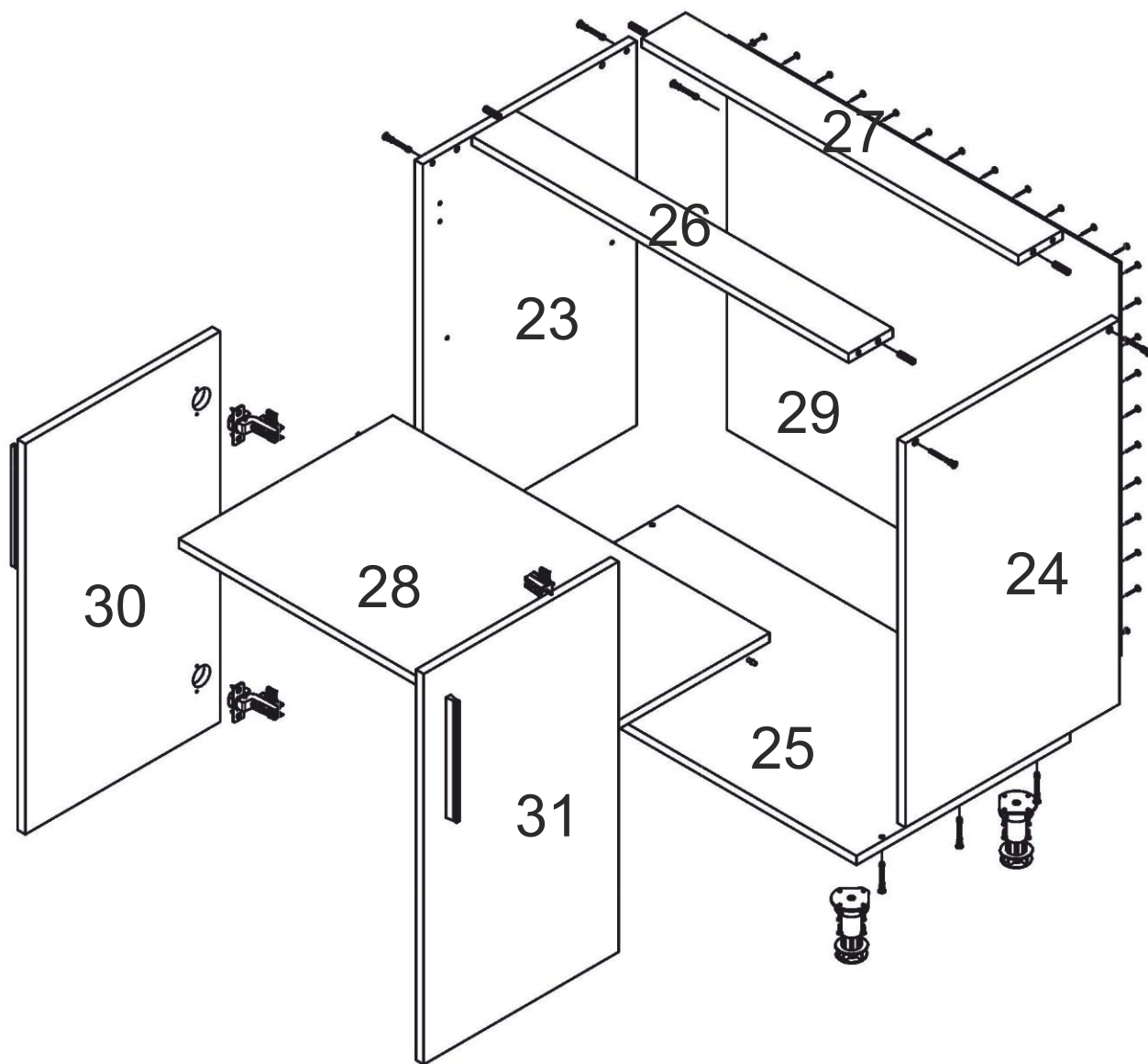


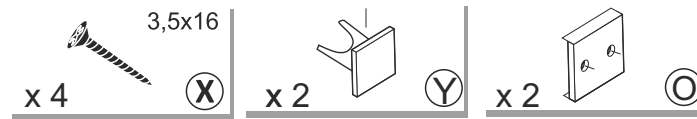
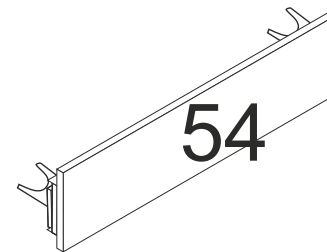
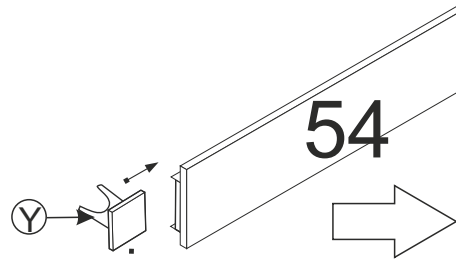
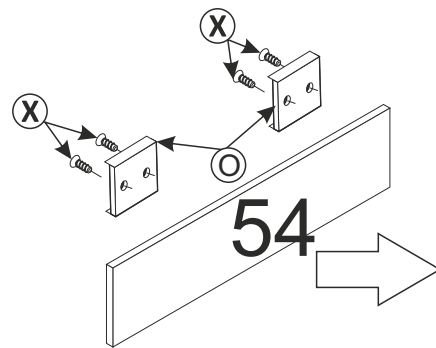
- | | | | | | |
|--|--|------|--------|--|---|
| | | x 4 | | | N |
| | | x 16 | 3,5x16 | | X |

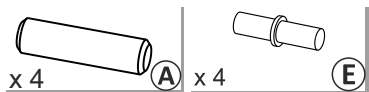
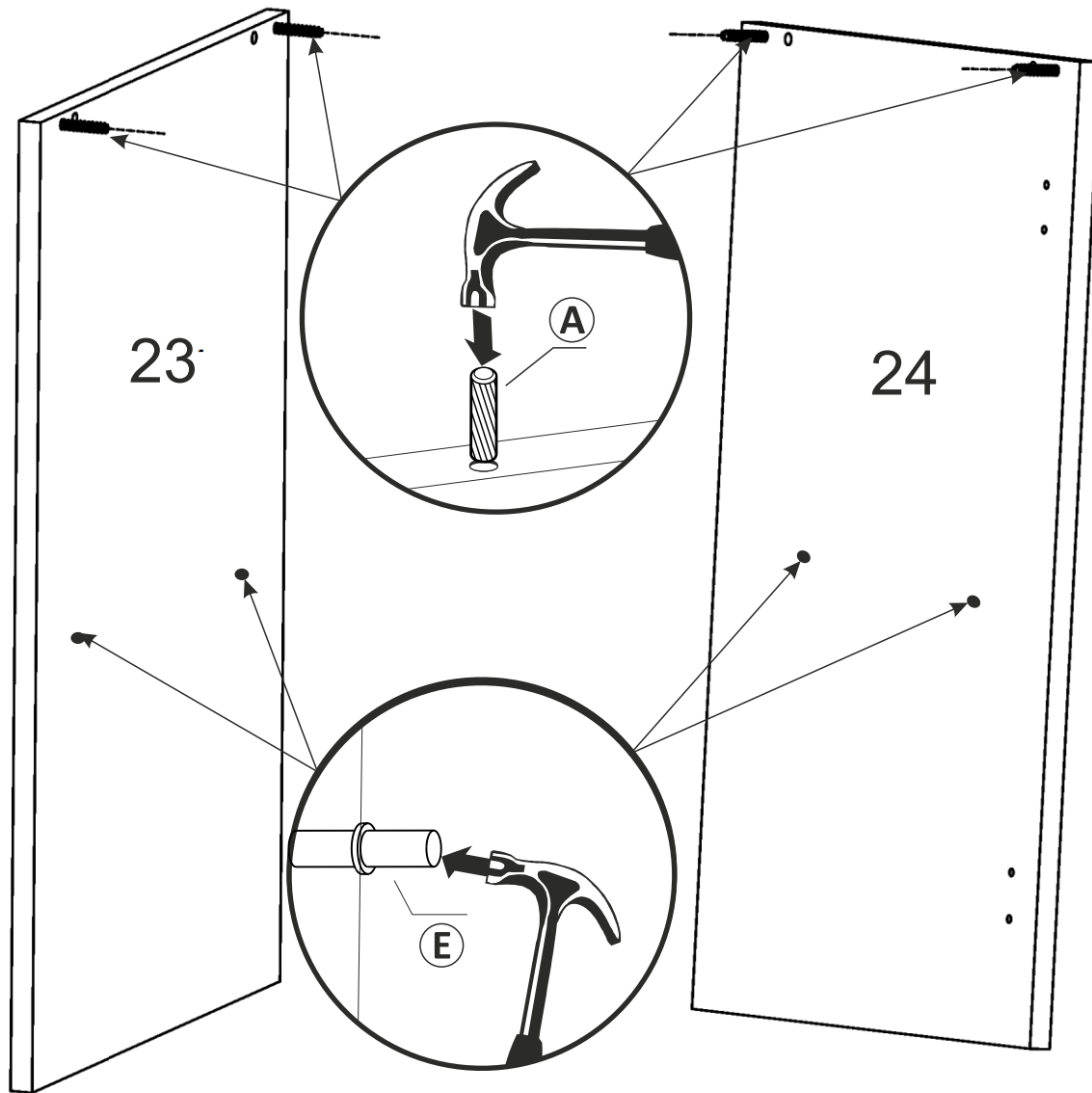


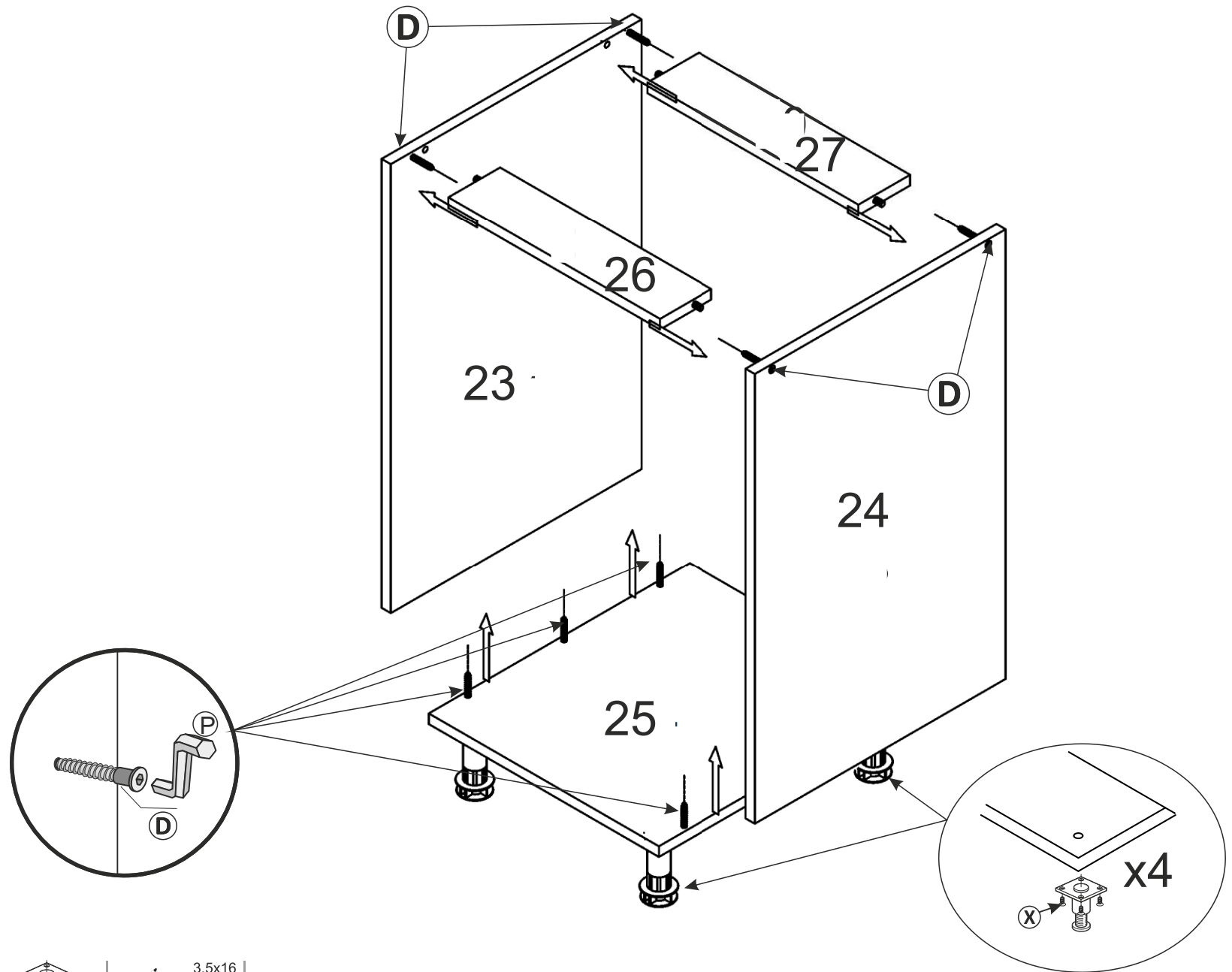




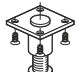



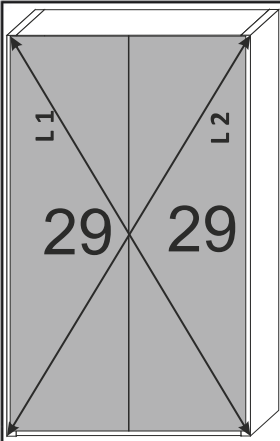




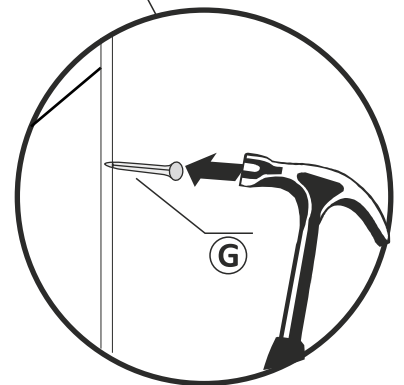
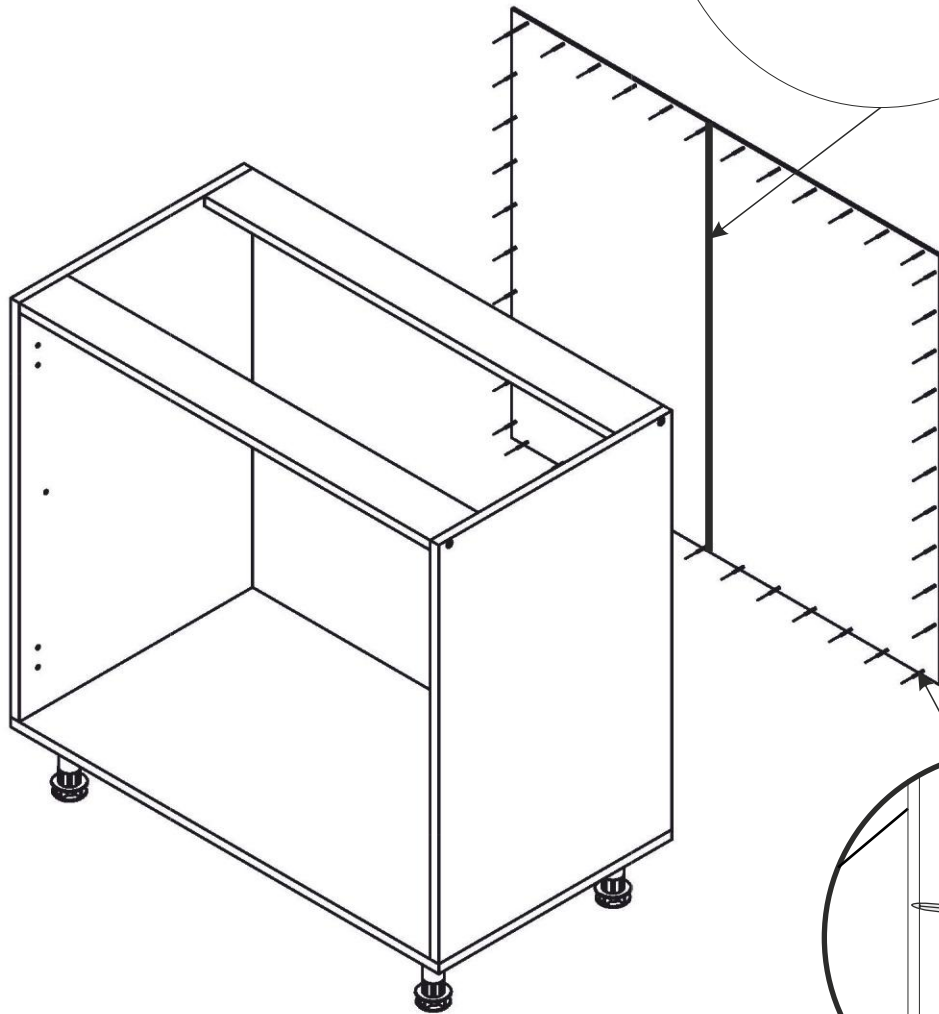
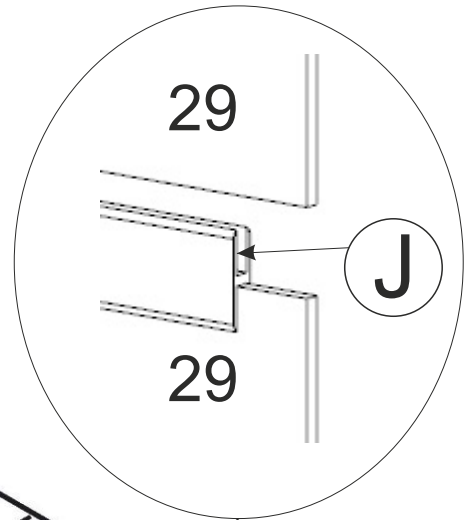


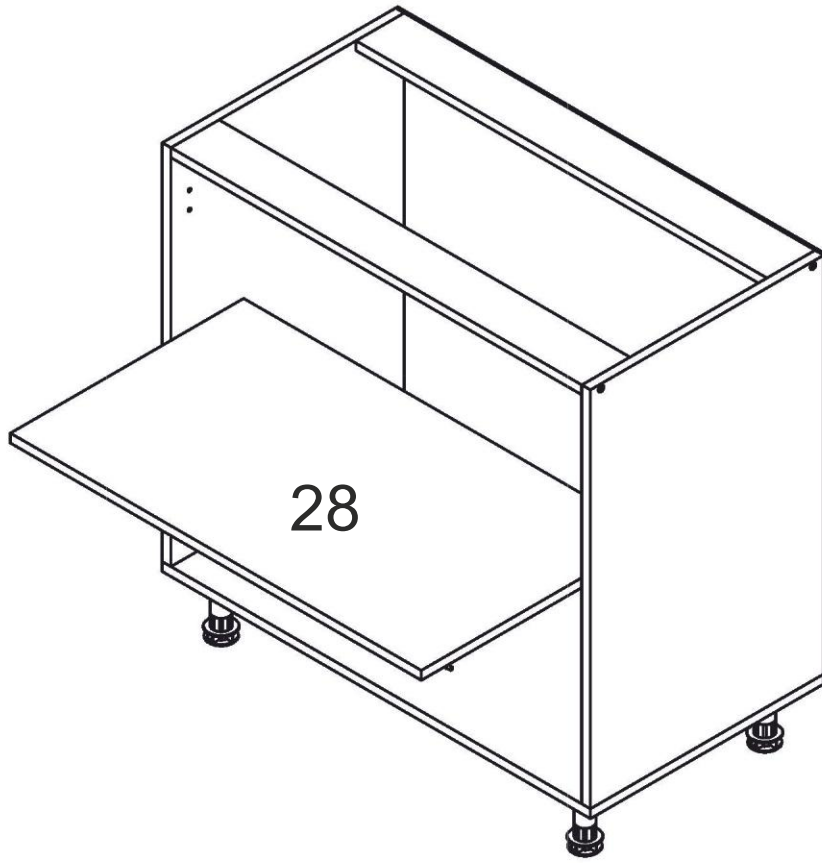


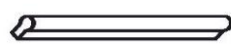
- 
P x 1
- 
D x 10
- 
N x 4
- 
X 3,5x16 x 16



L1 = L2







x 2

(H)



4x30

x 4

(L)



x 4

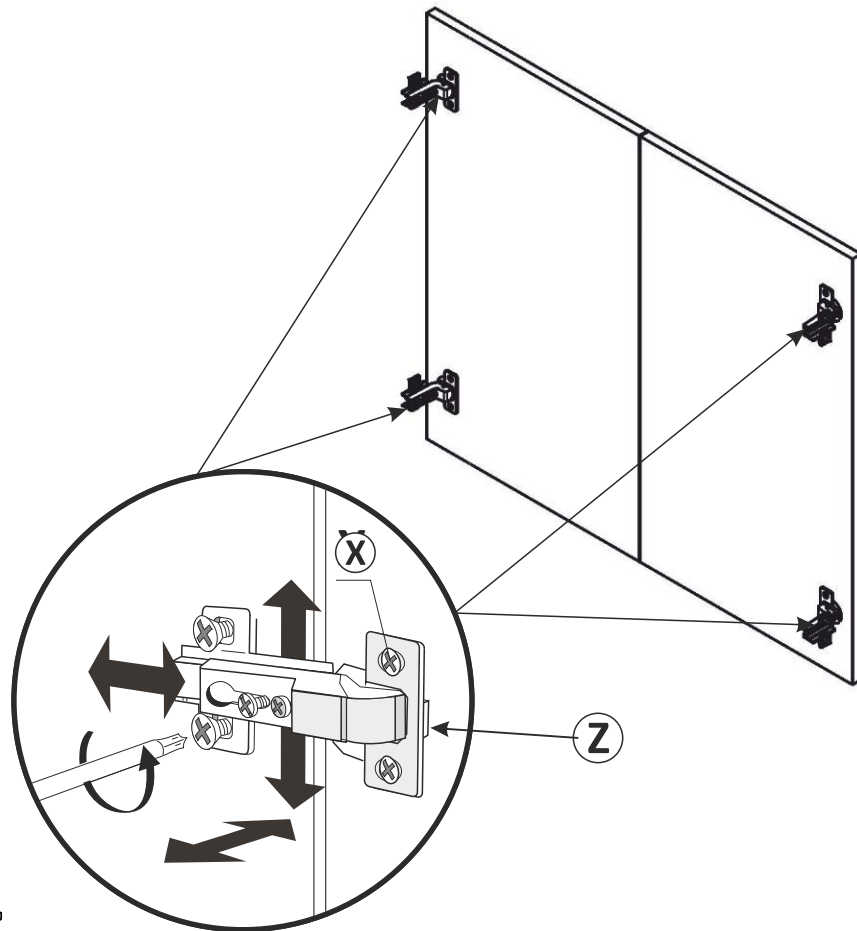
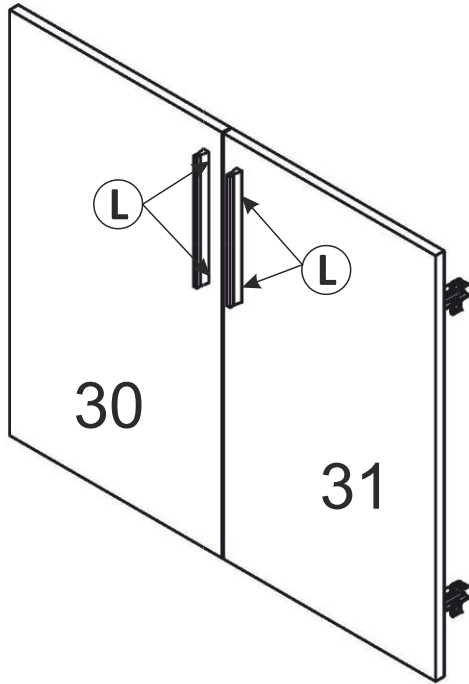
(Z)

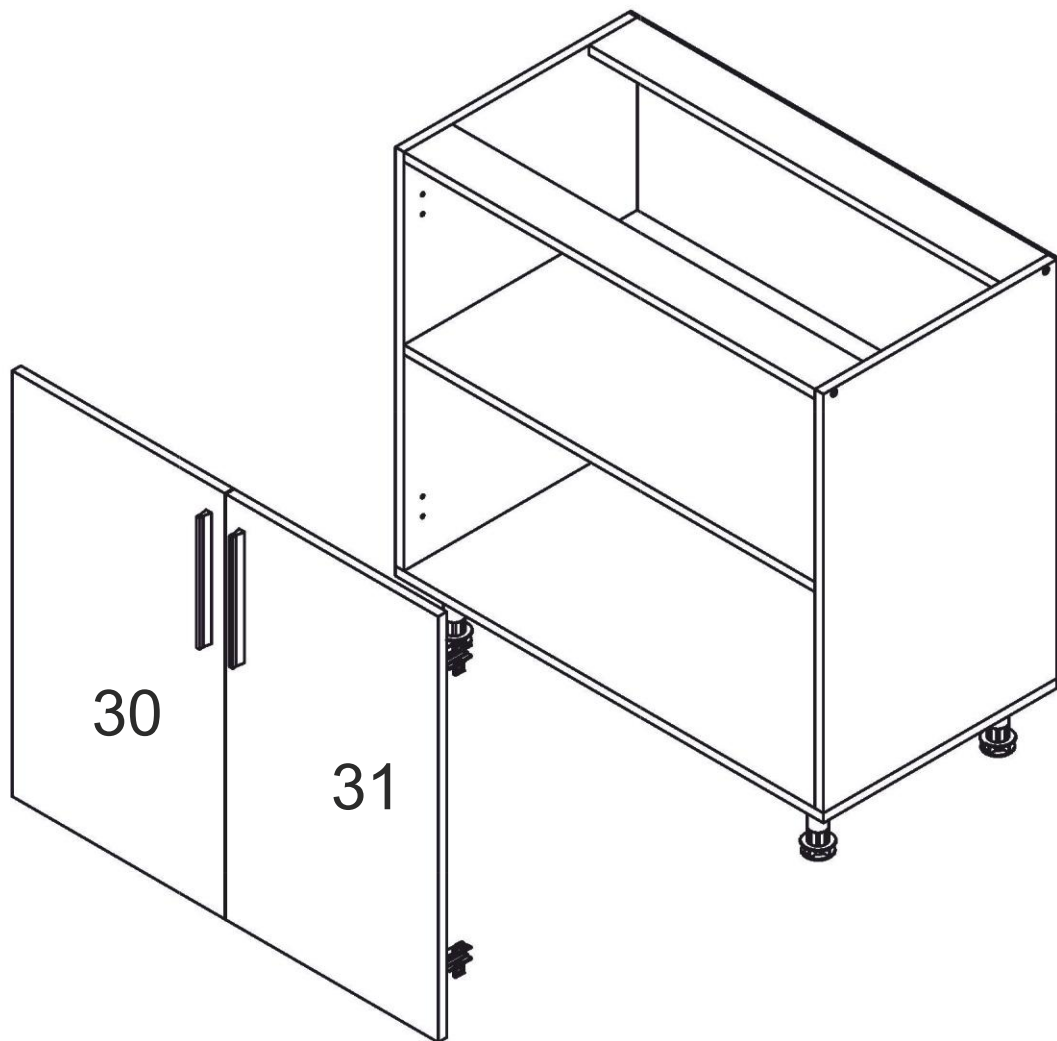


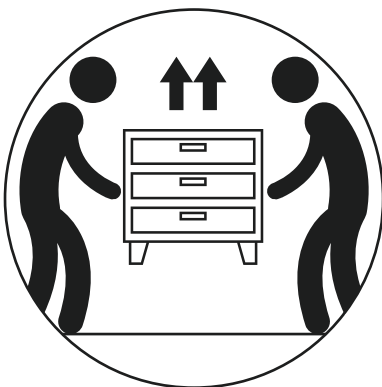
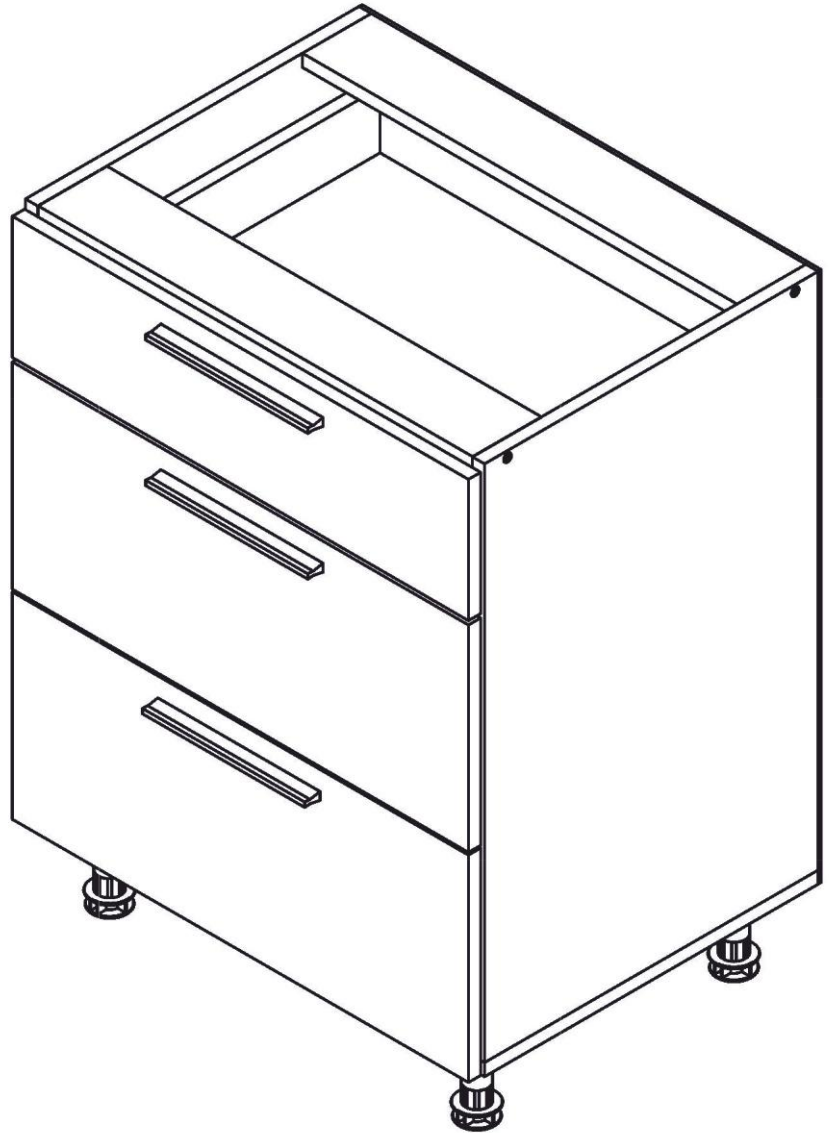
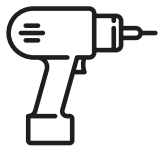
3,5x16

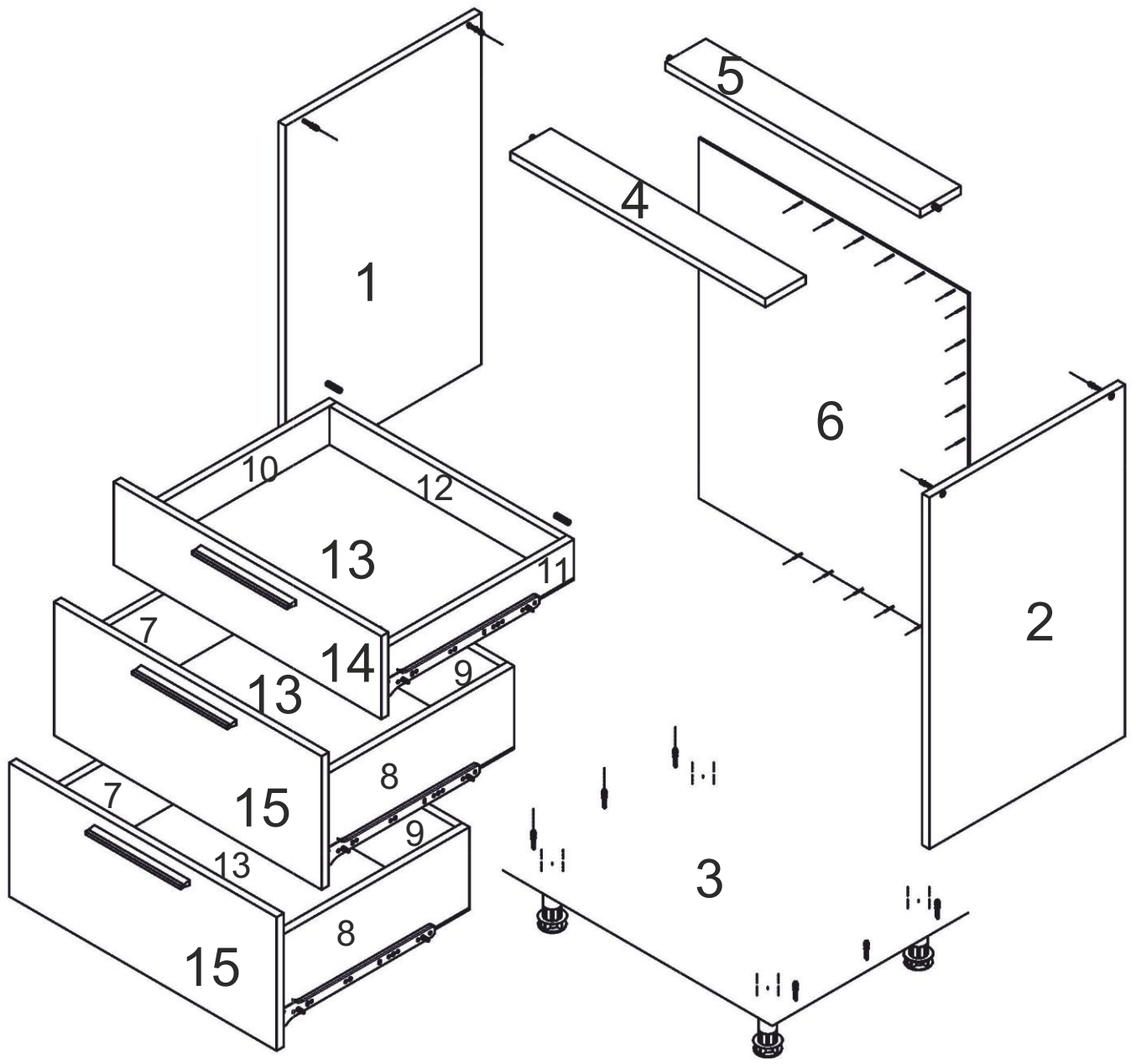
x 8

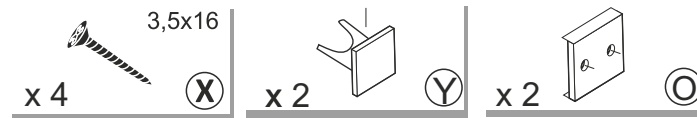
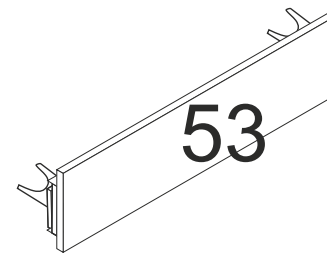
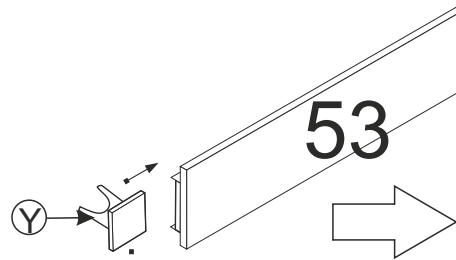
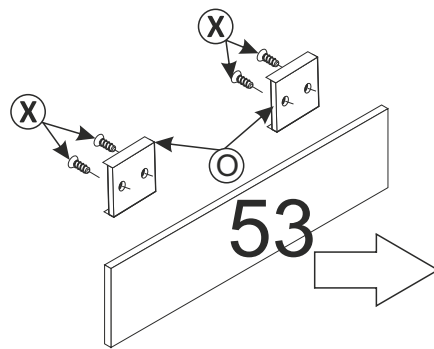
(X)

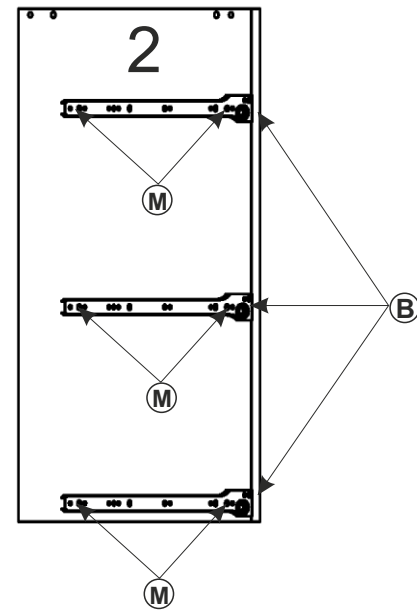
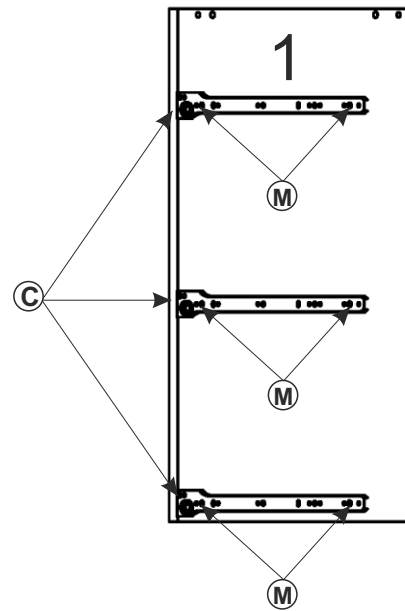


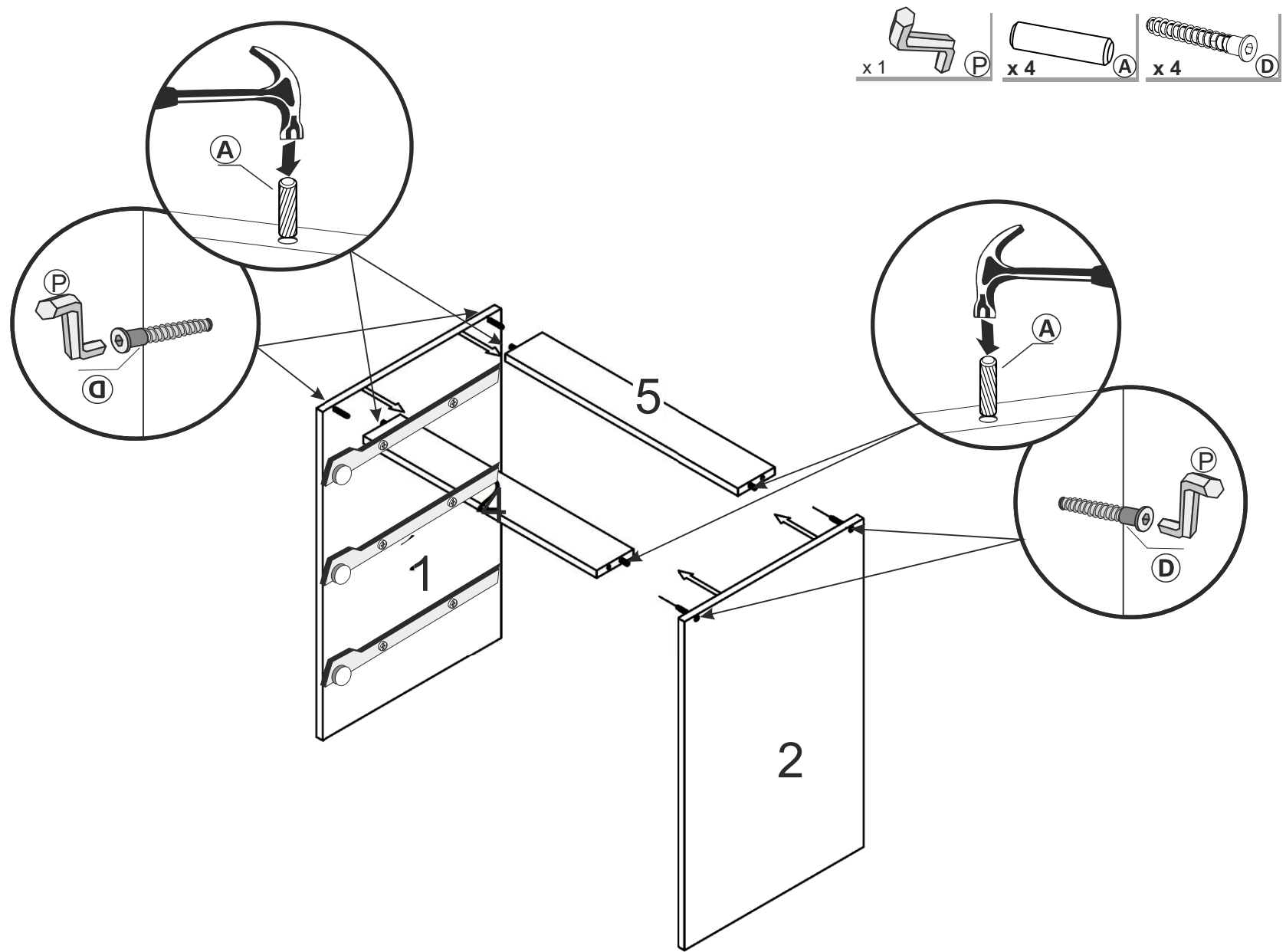


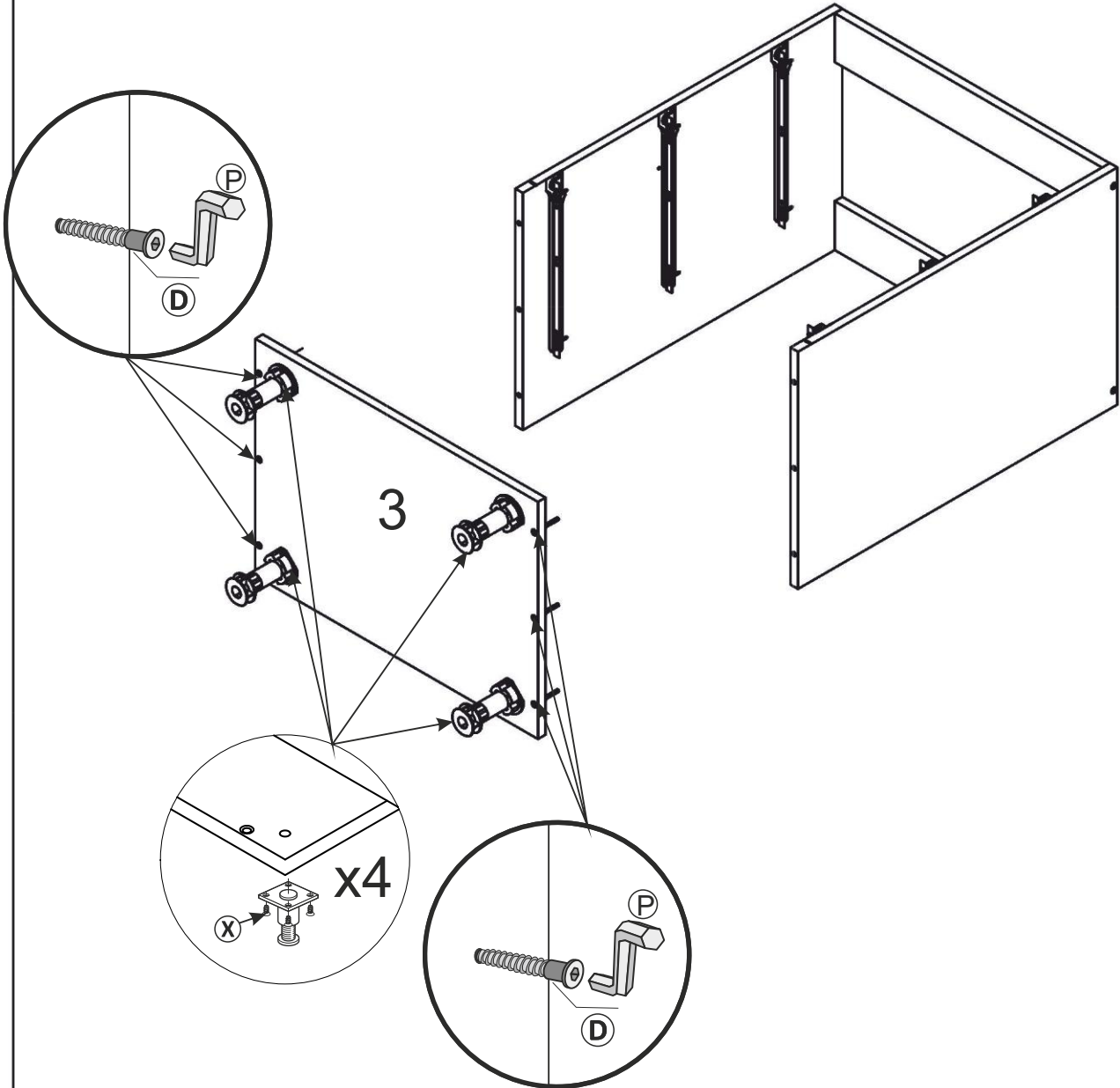




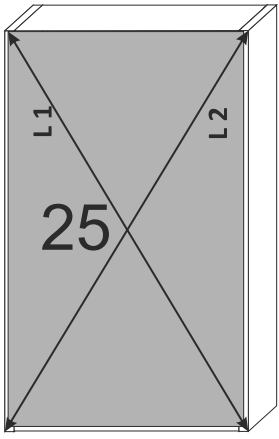




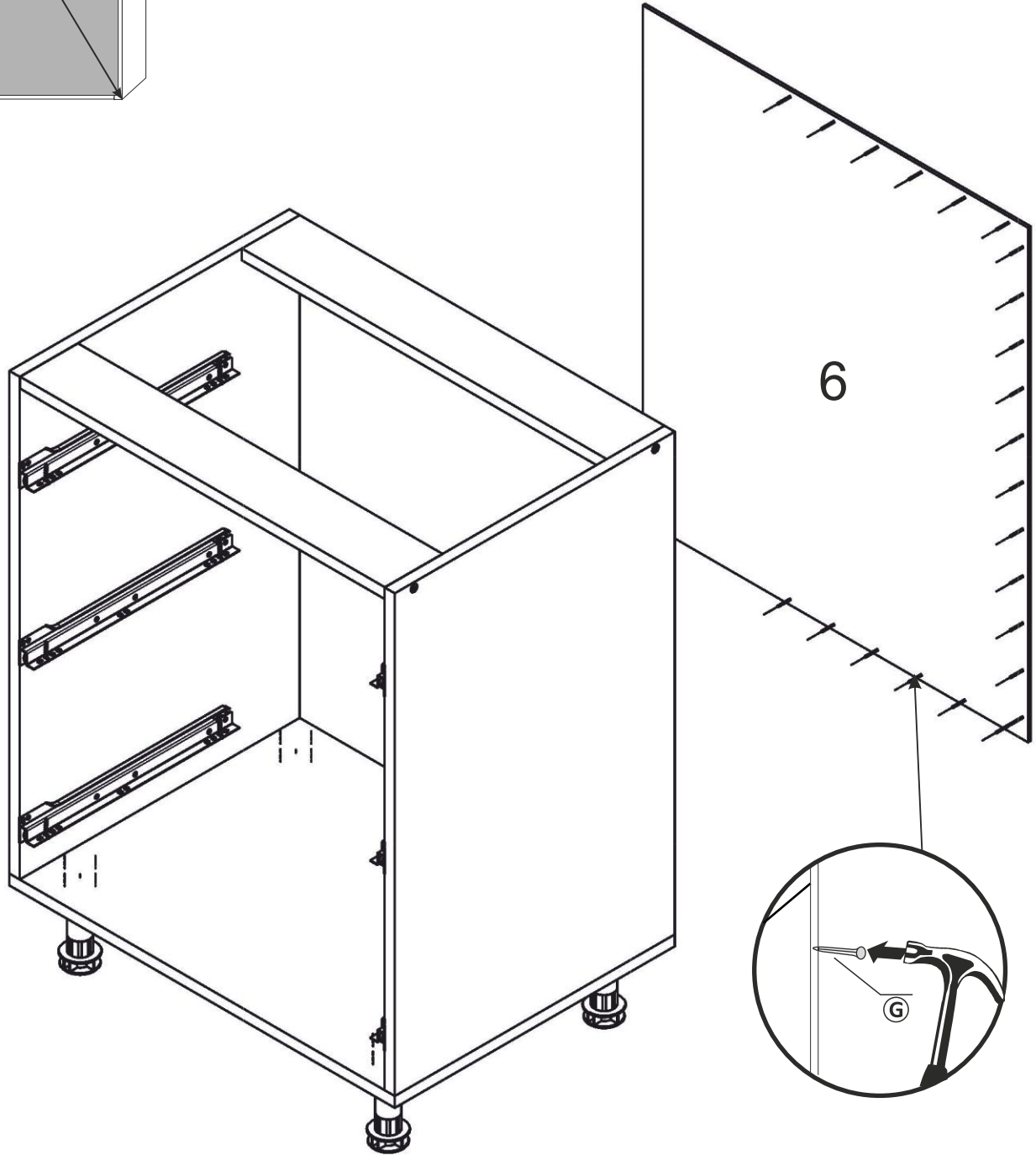


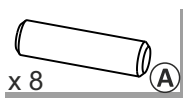
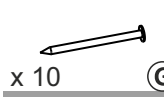
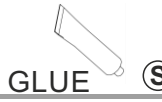
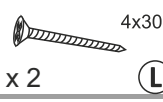
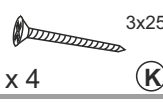
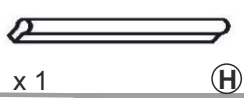
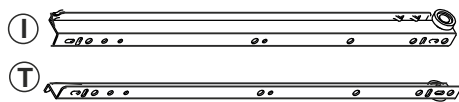


- x 1
(P)
- x 6
(D)
- x 16
(X)
- x 4
(N)



L1 = L2





x 1

(H)

x 4

(K)

x 2

(L)

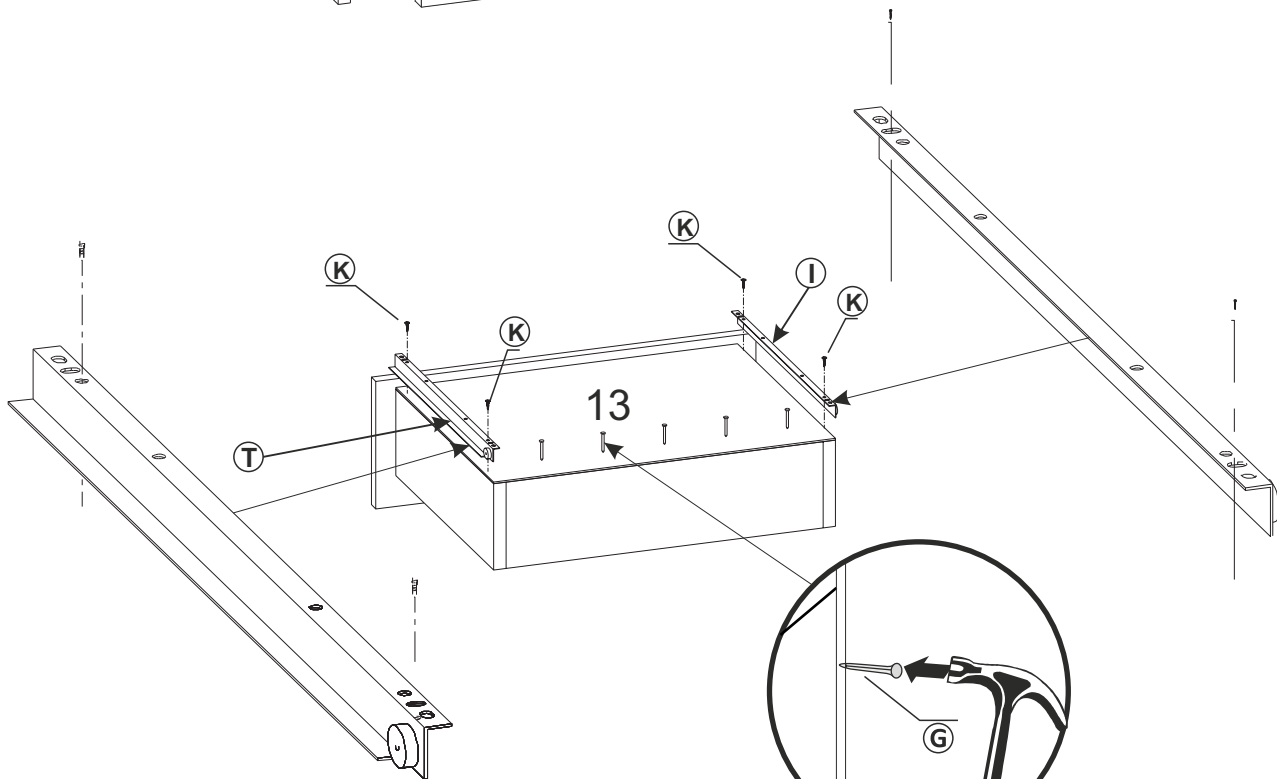
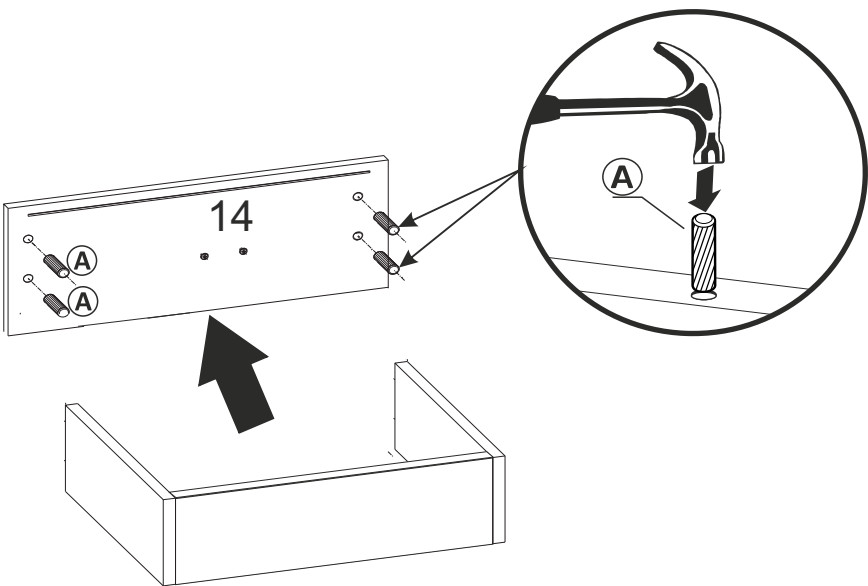
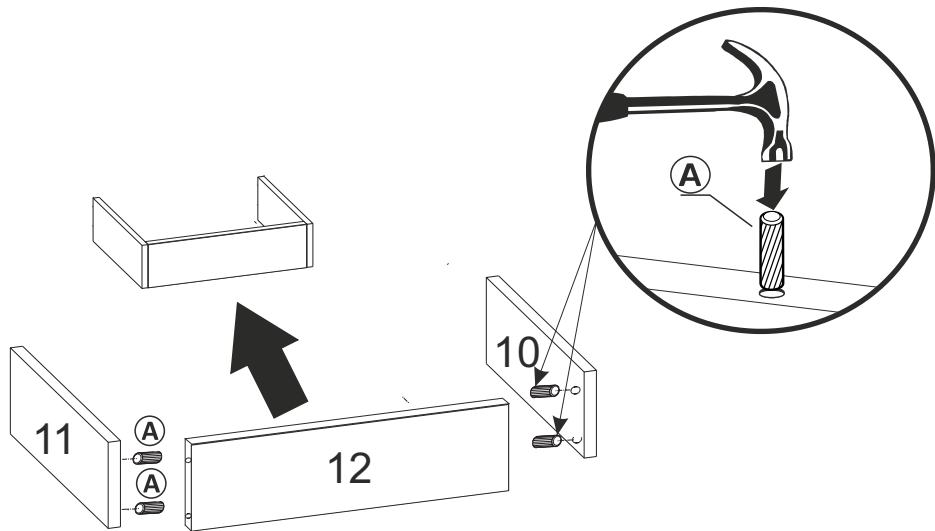
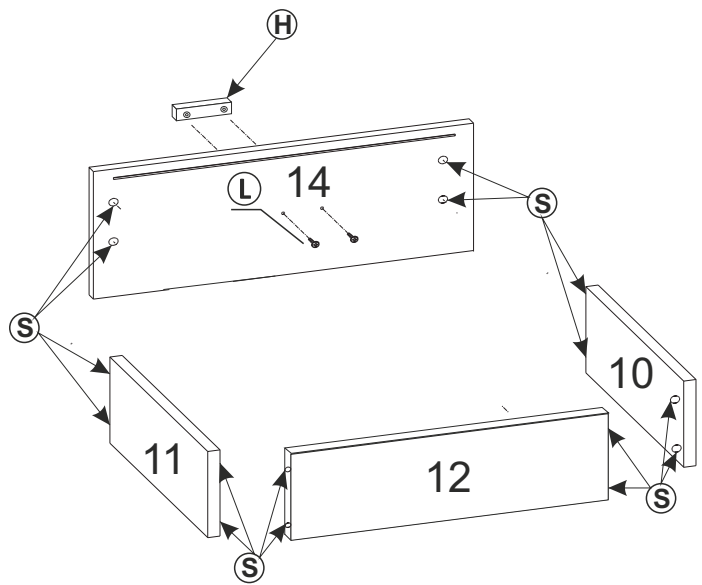
GLUE (S)

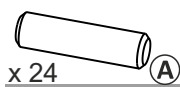
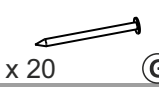
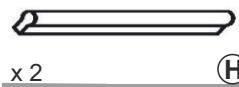
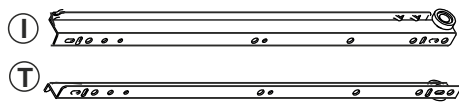
x 10

(G)

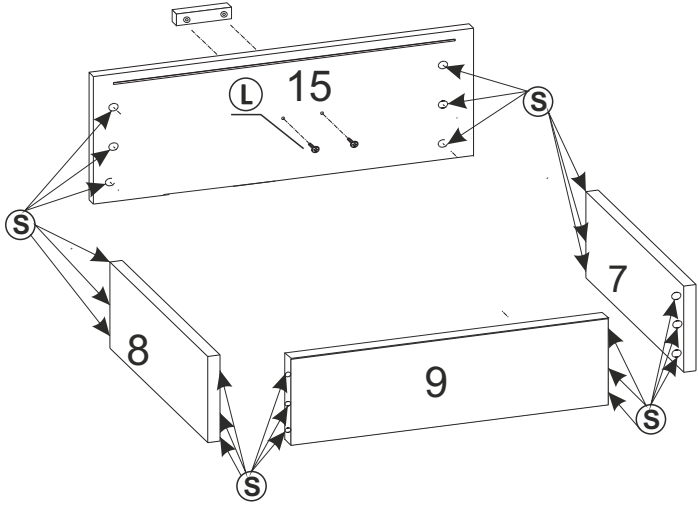
x 8

(A)

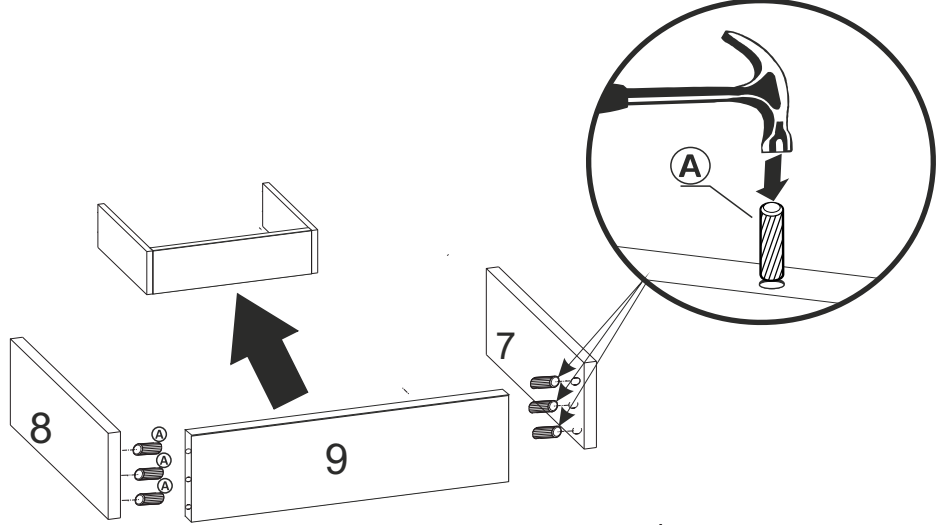




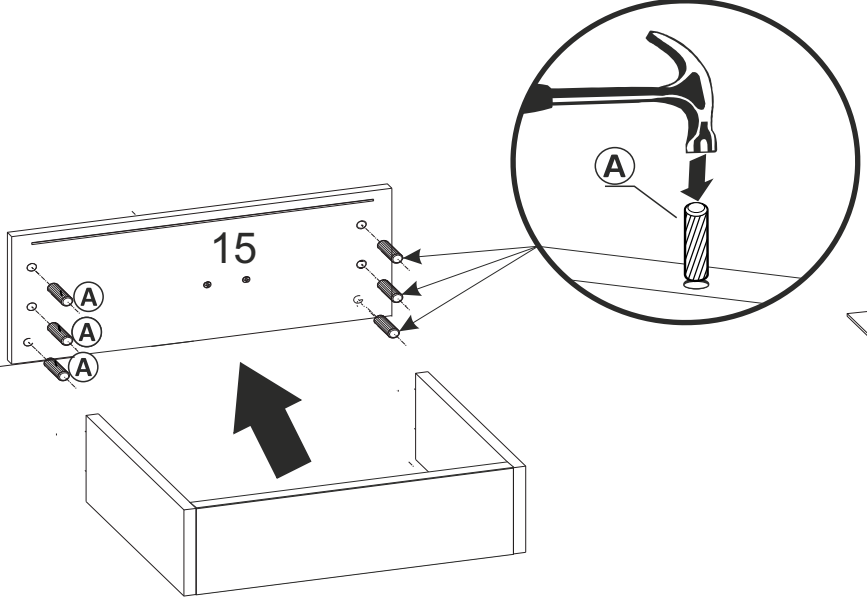
x2



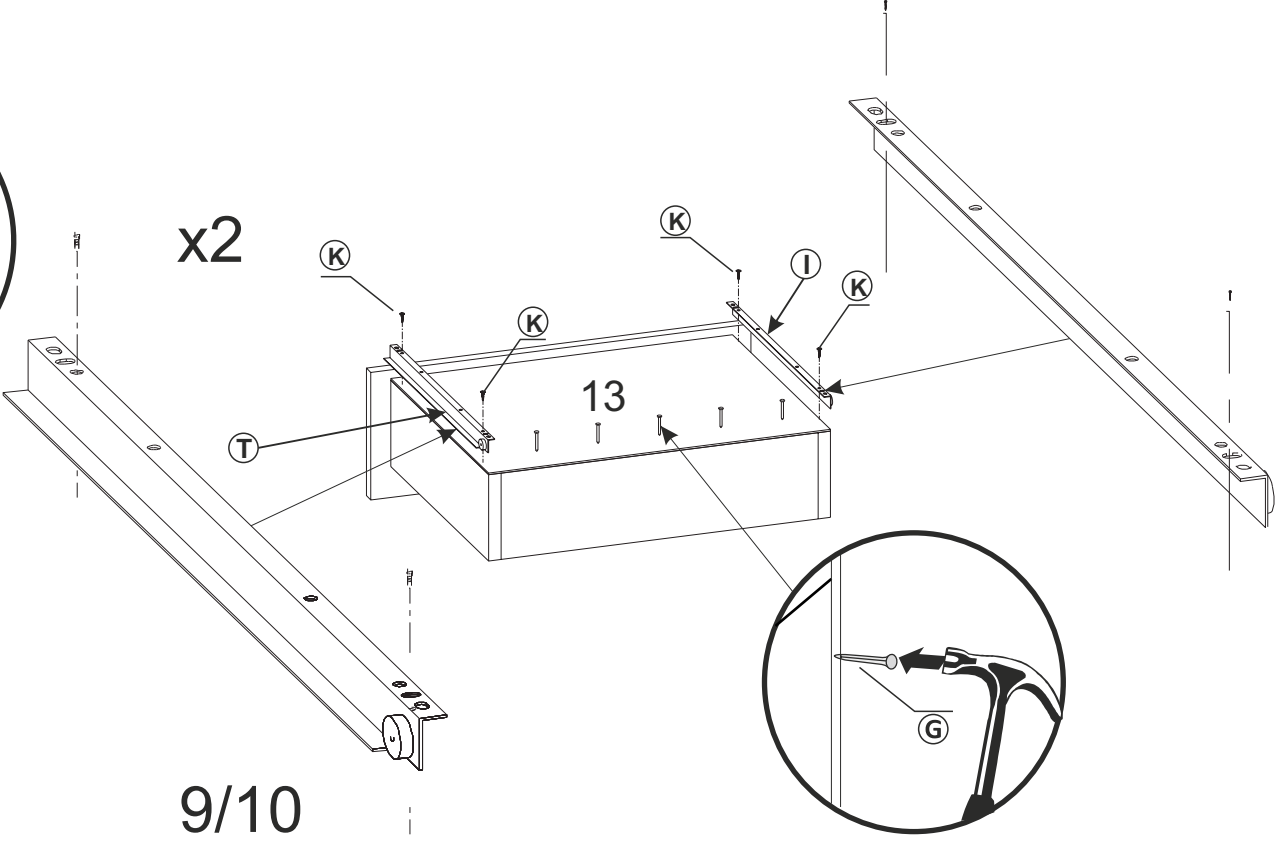
x2



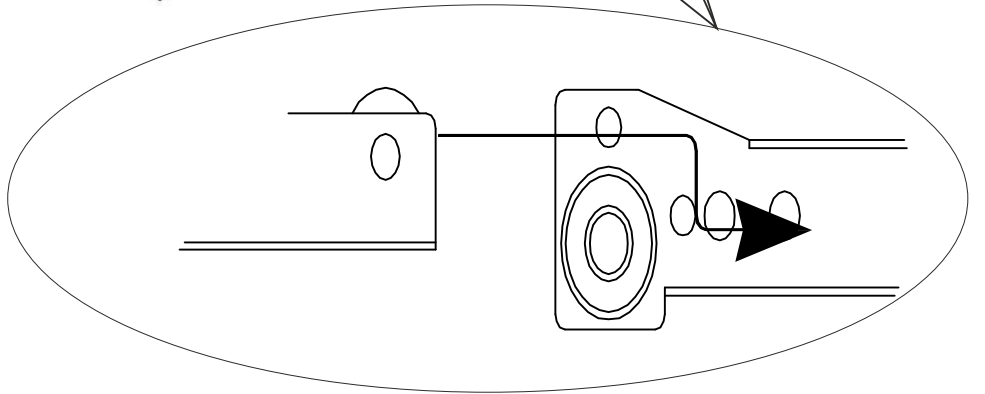
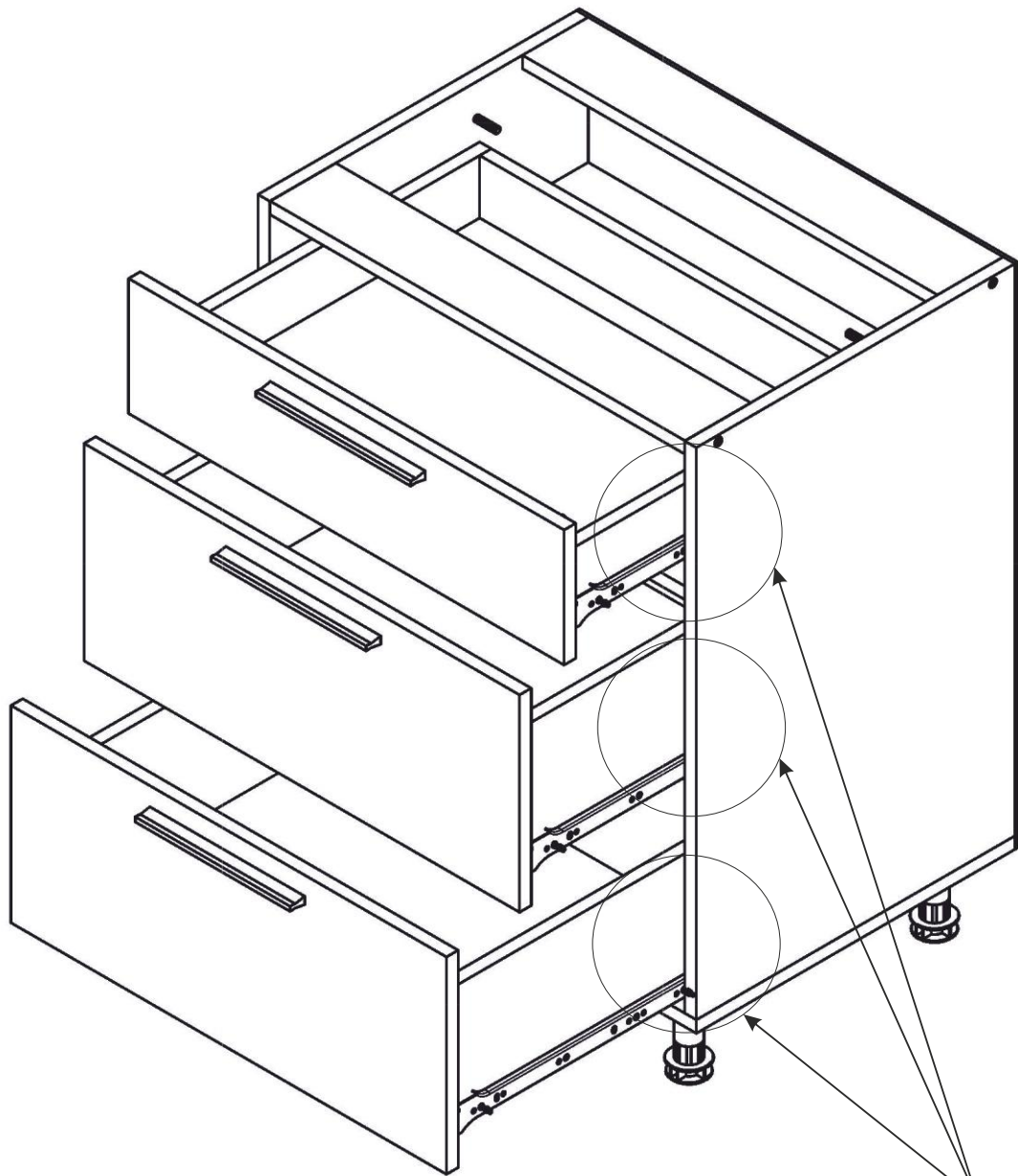
x2

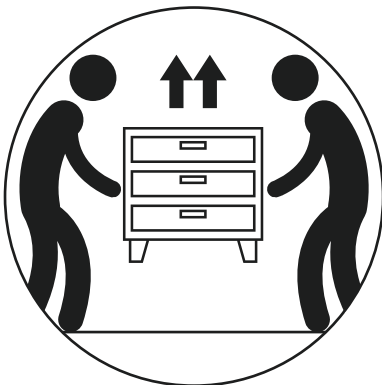
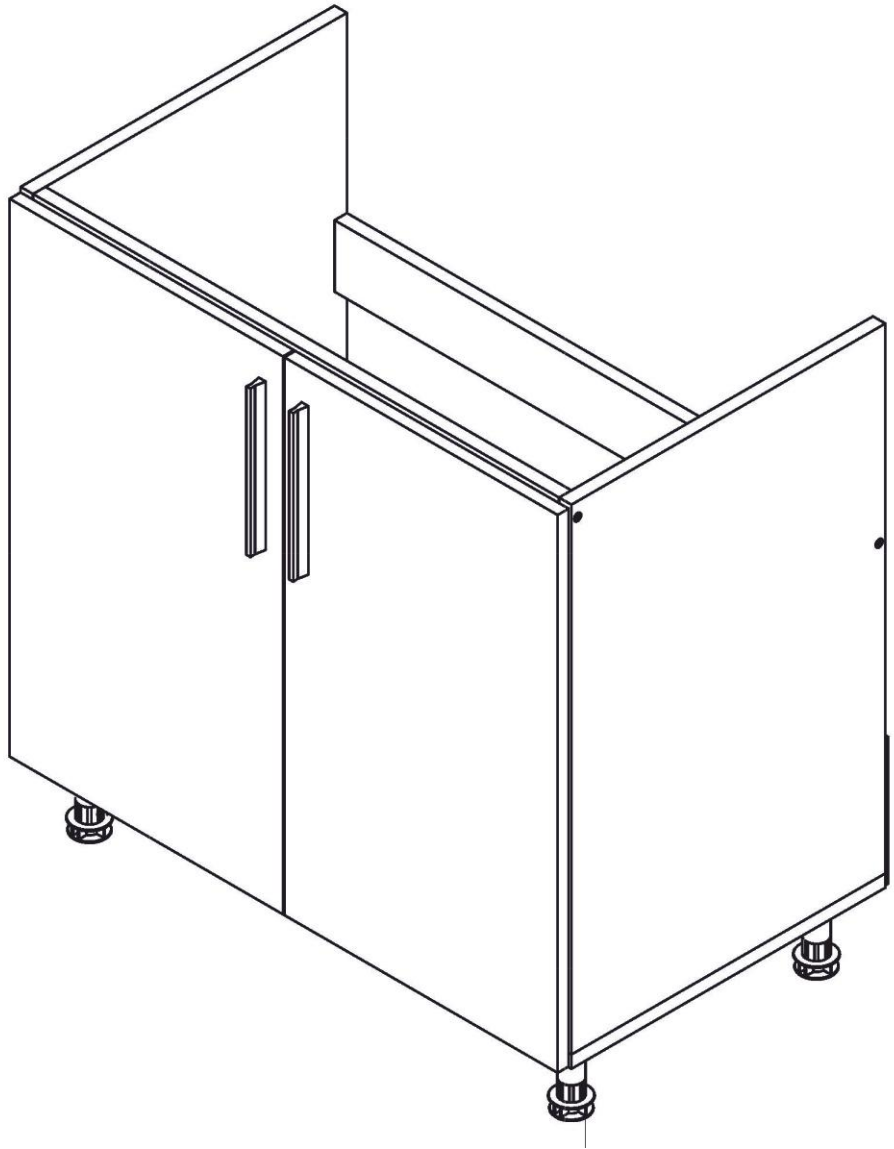
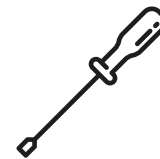
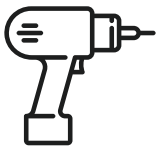


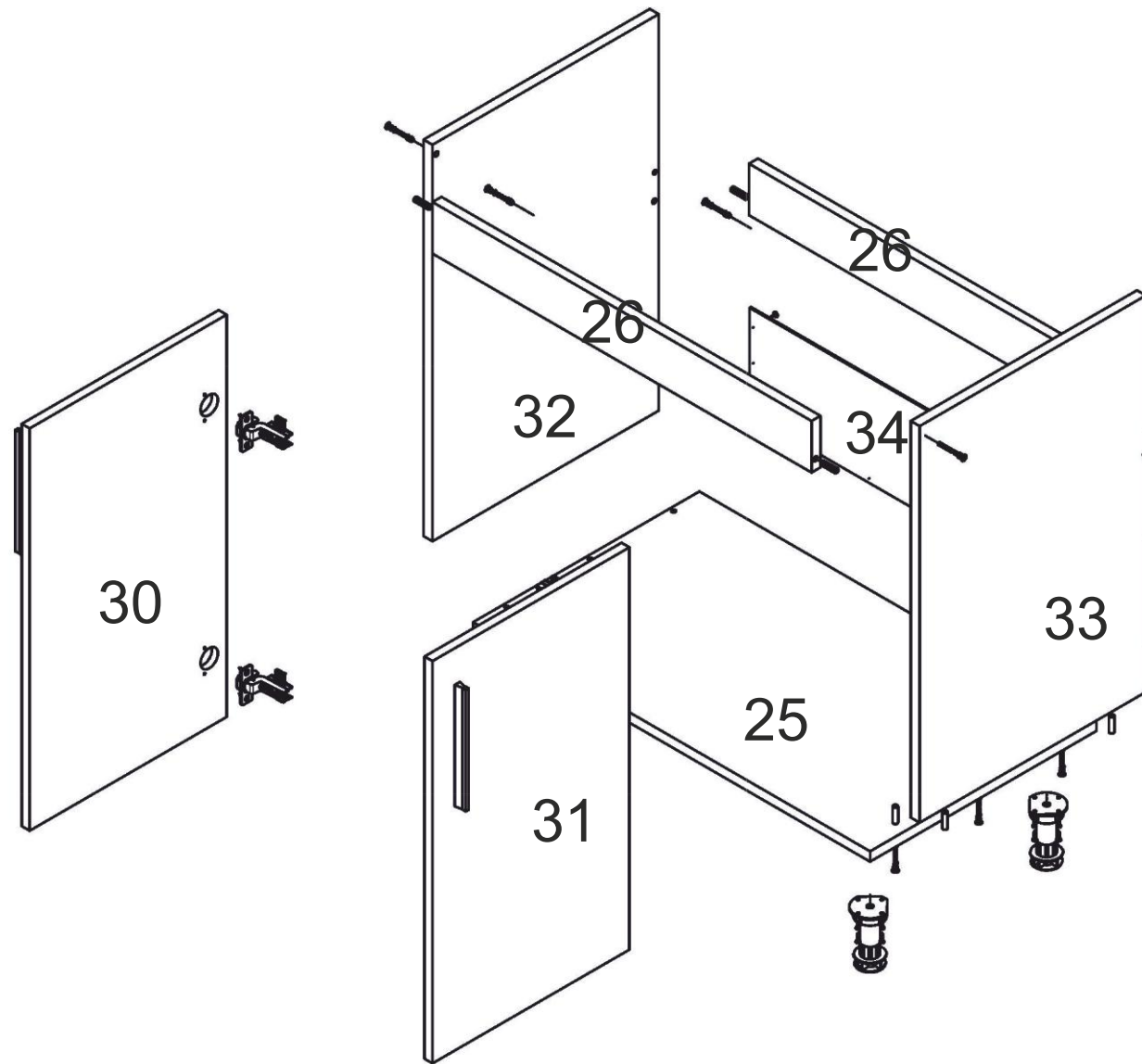
x2

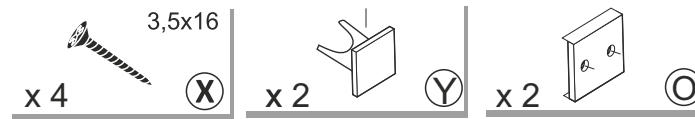
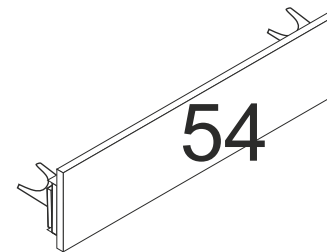
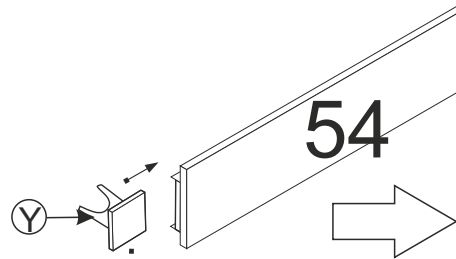
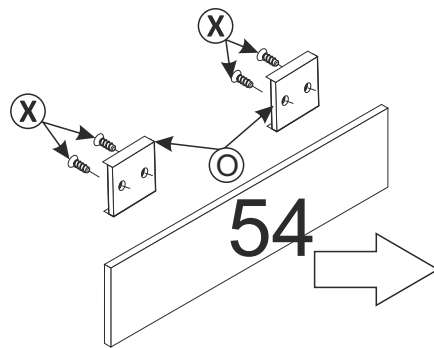


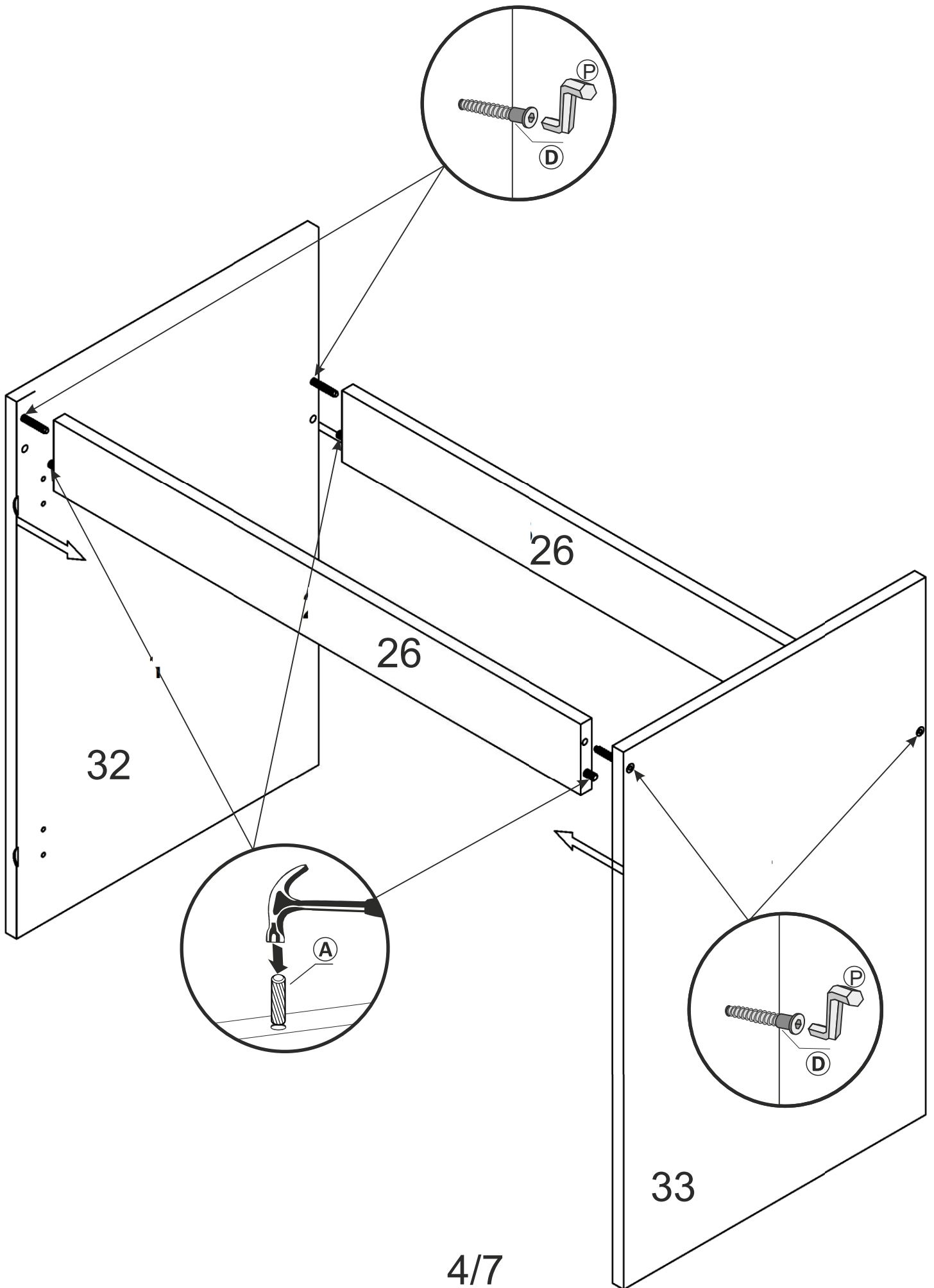
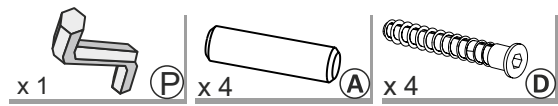
9/10

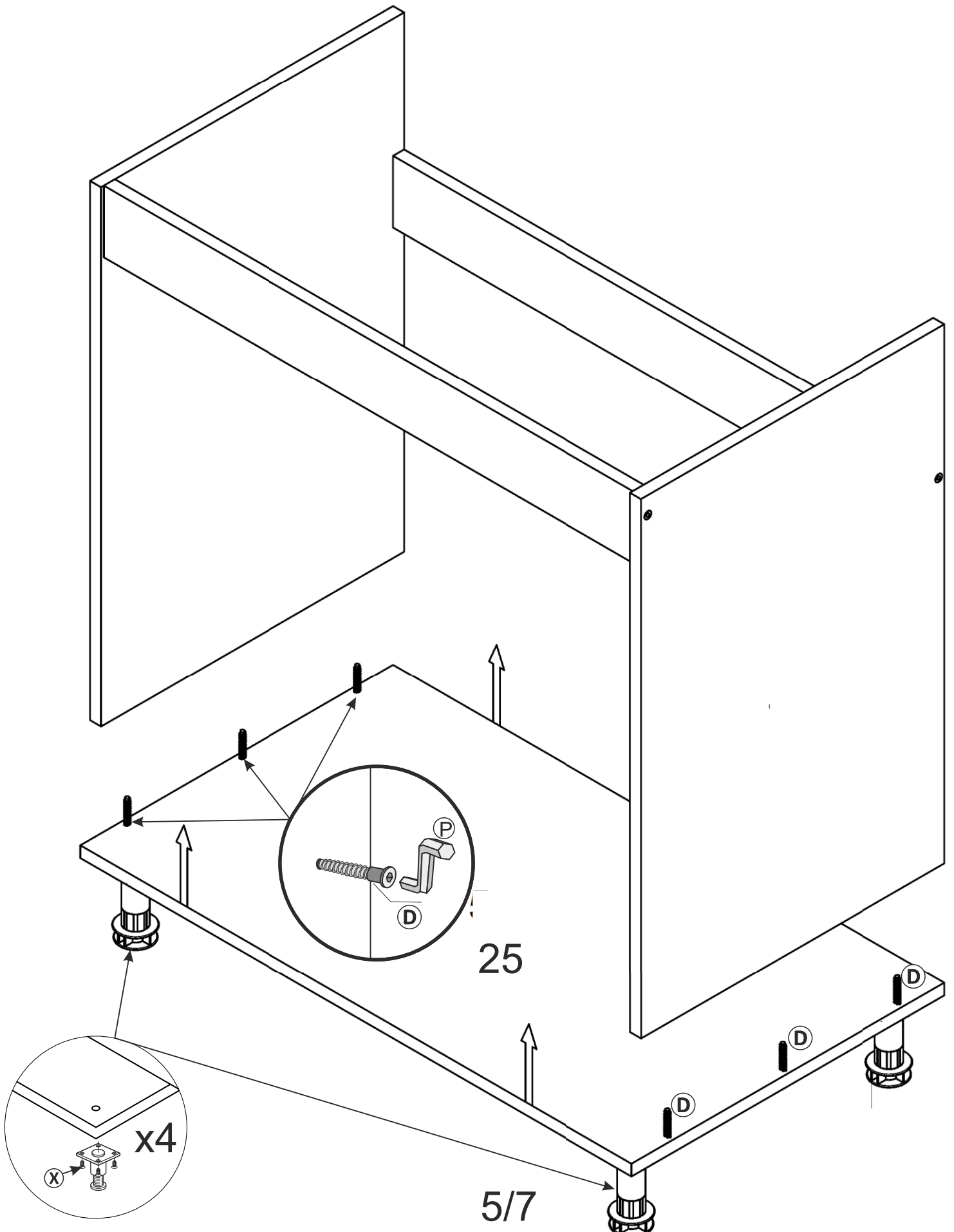
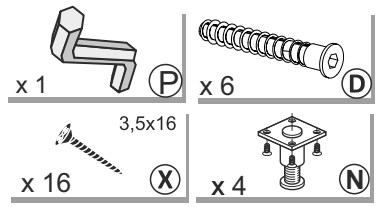


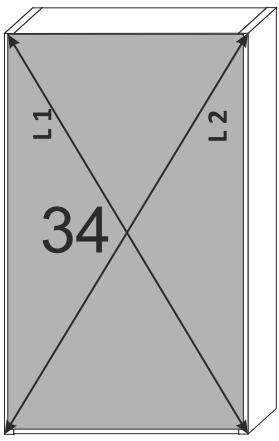




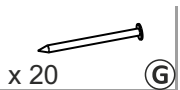
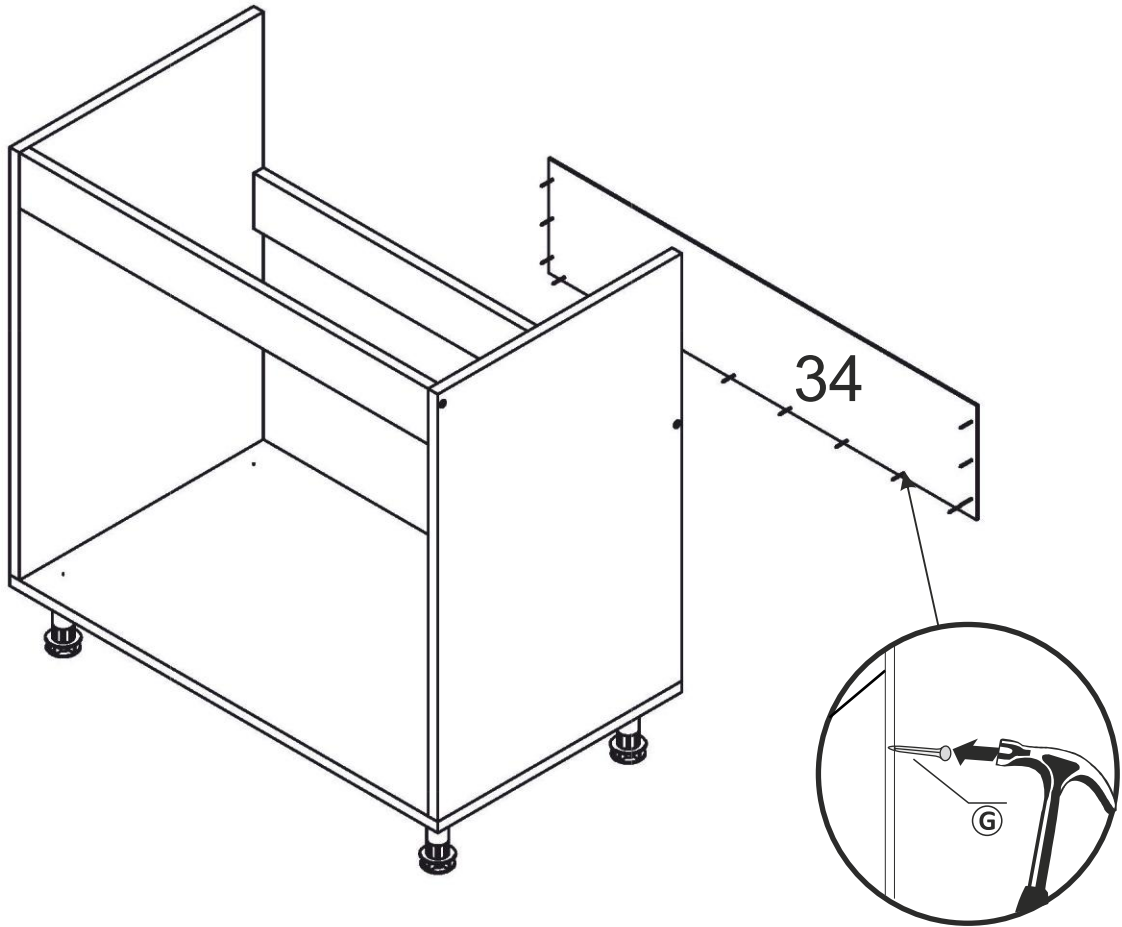


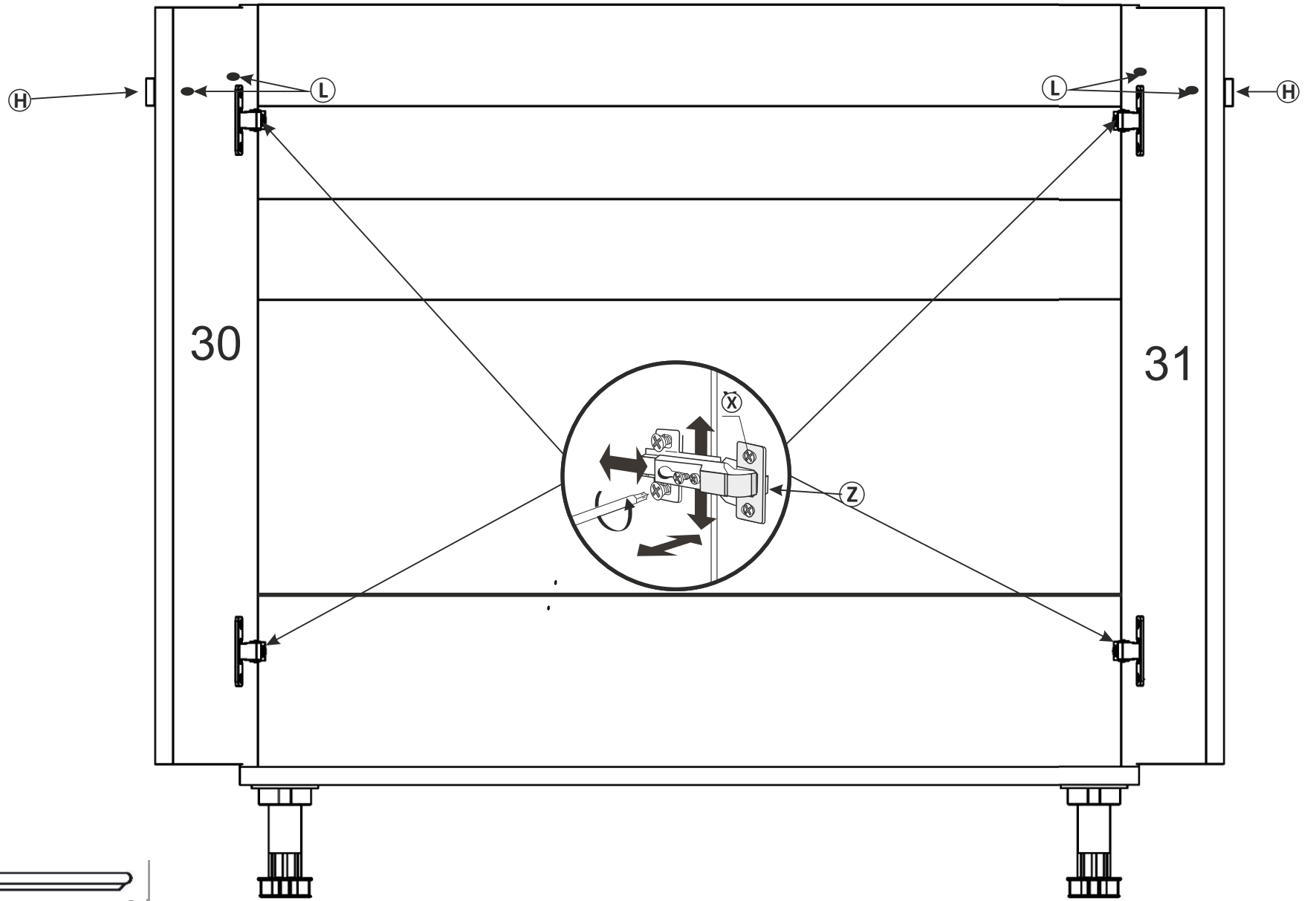




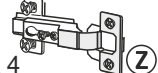
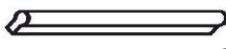


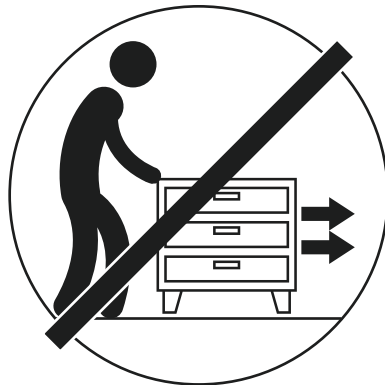
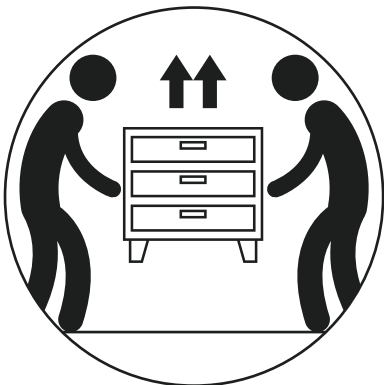
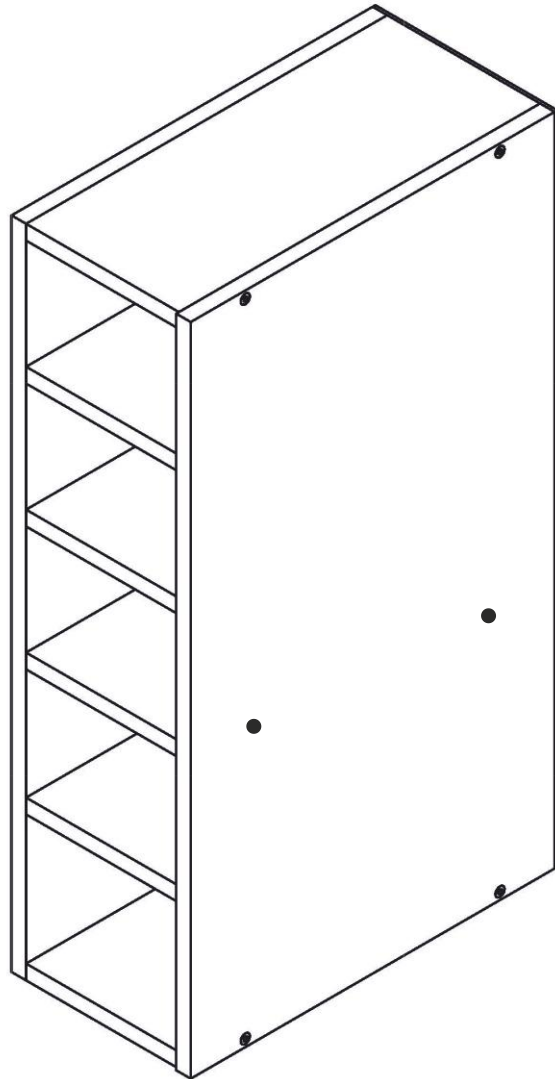
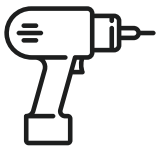
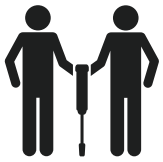


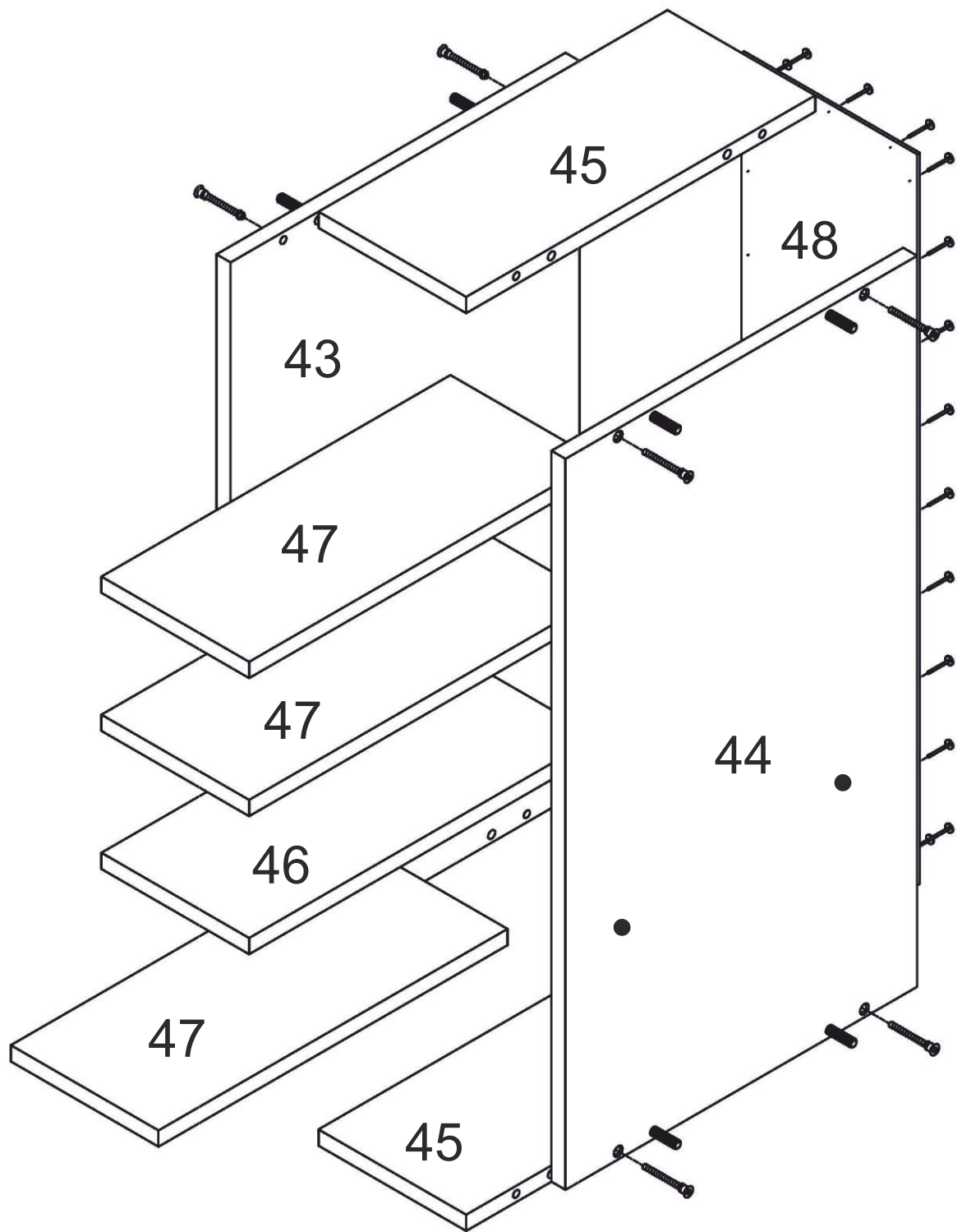
L1 = L2

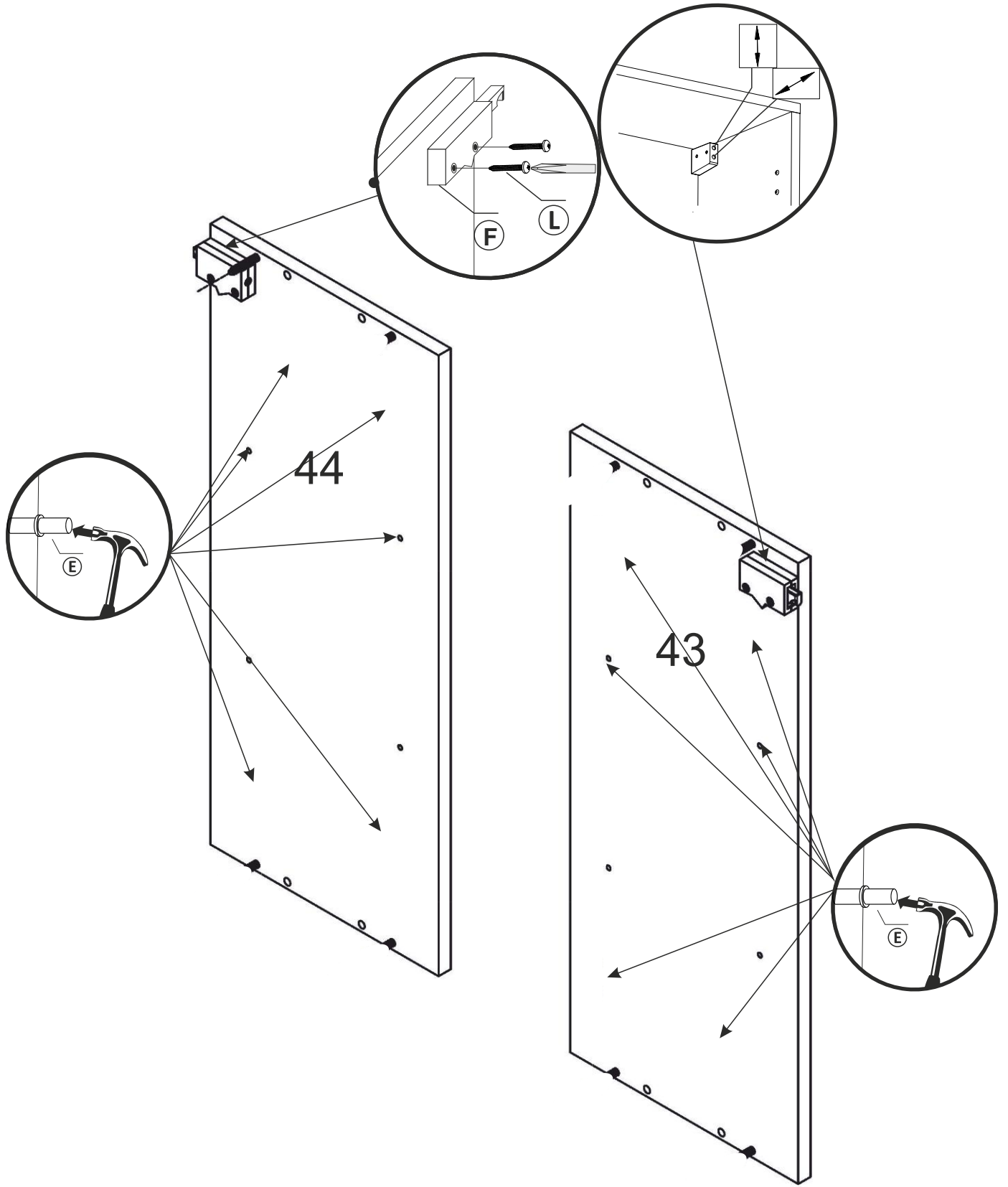




- x 4

4x30
(L)
- x 8

3,5x16
(X)
- x 4

(Z)
- x 2

(H)



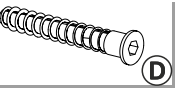
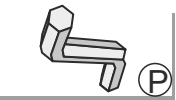
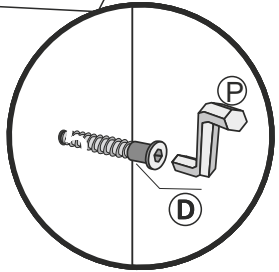
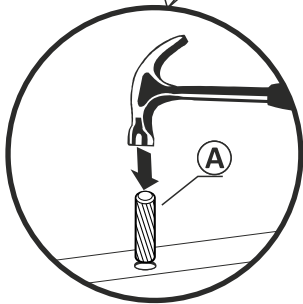
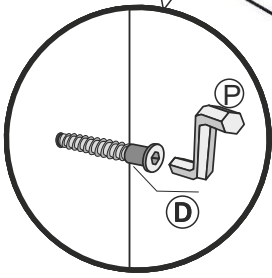
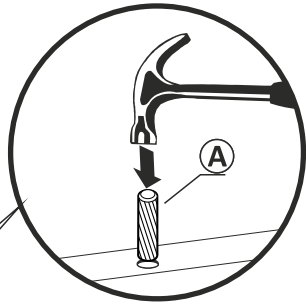
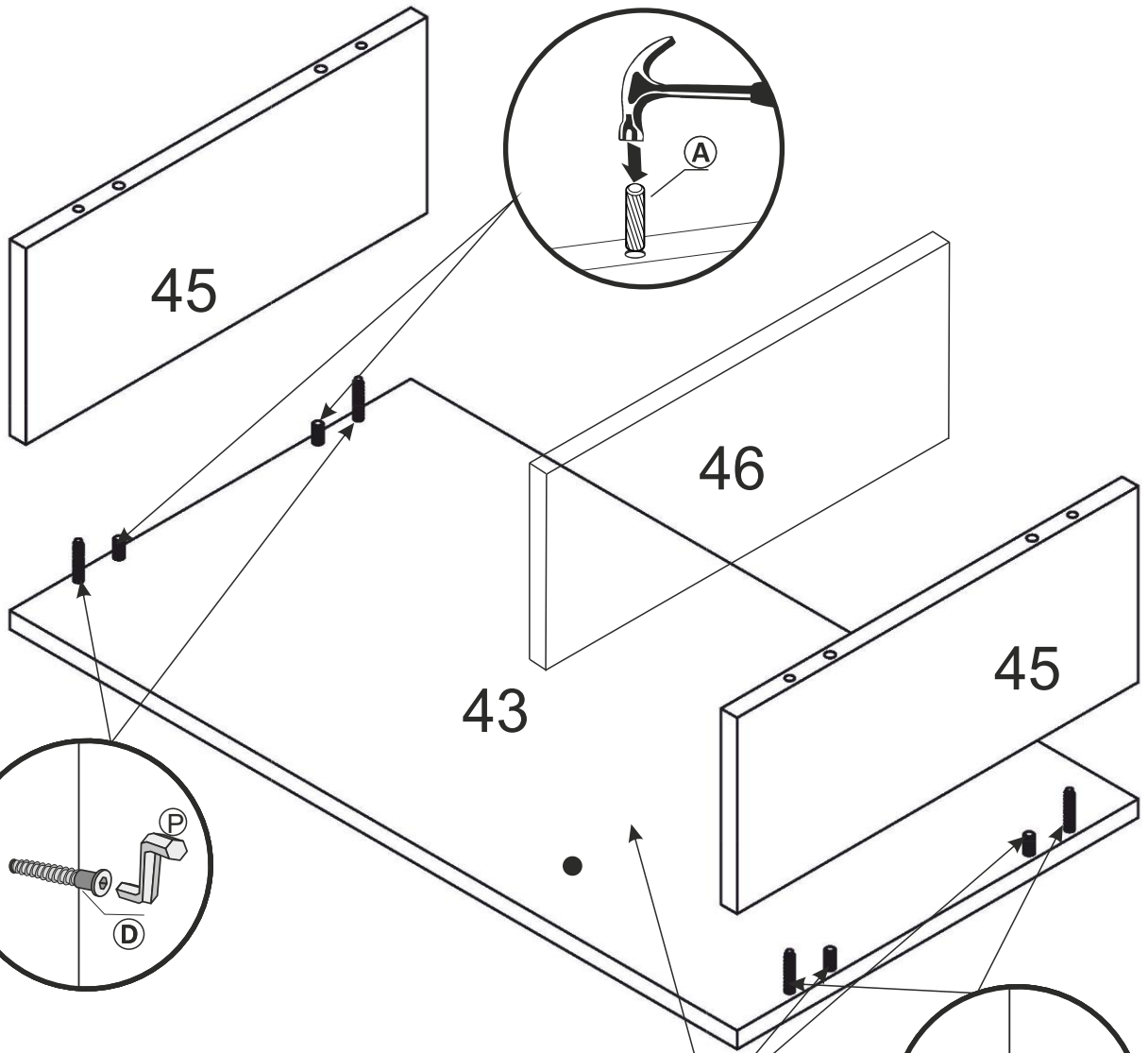


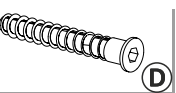
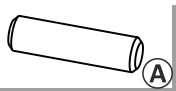
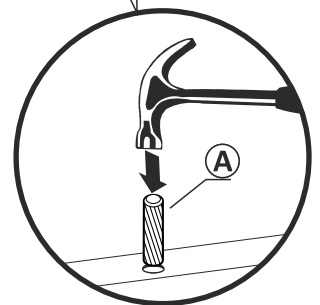
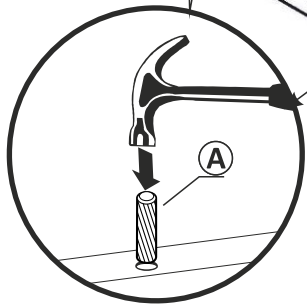
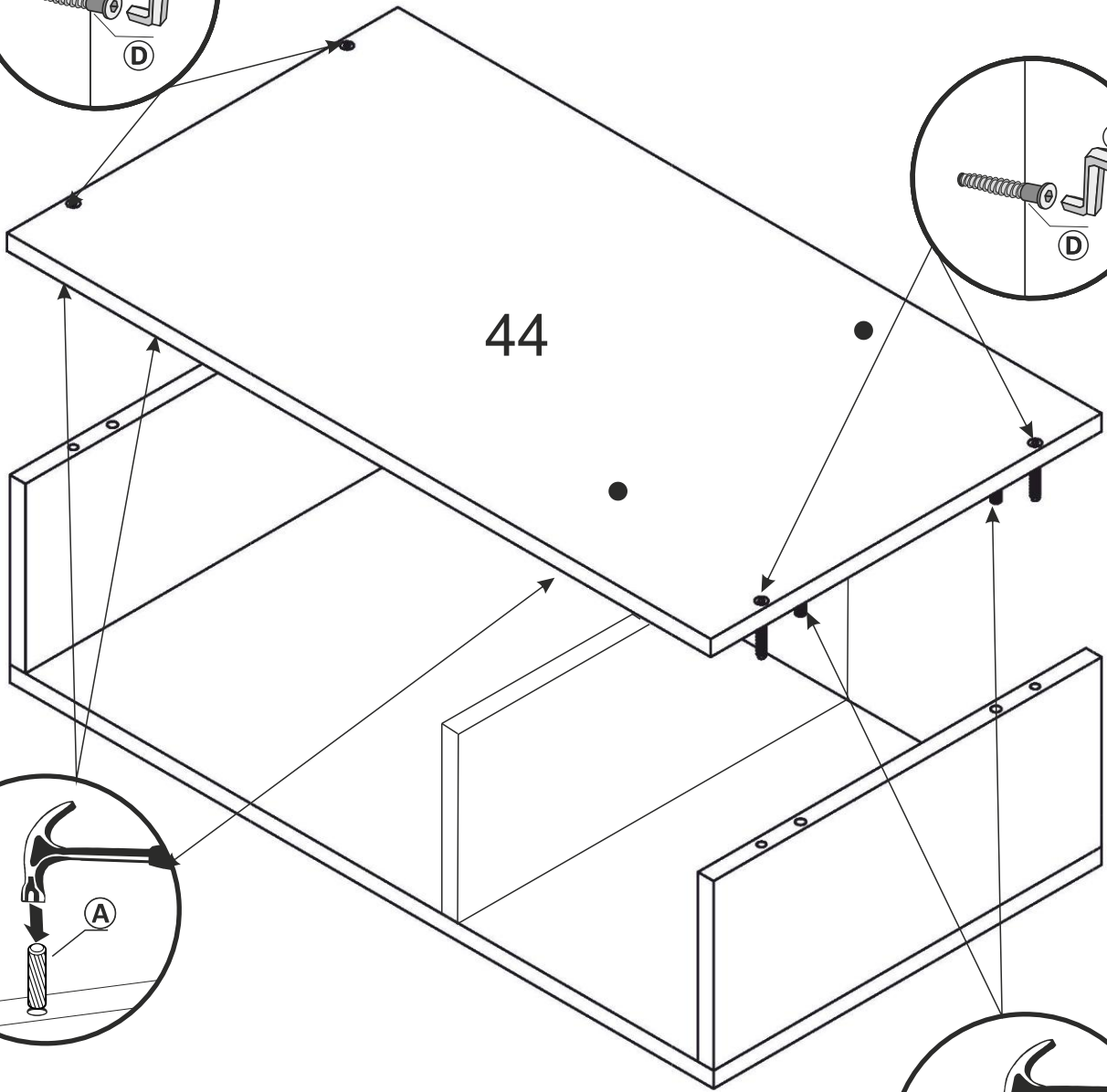
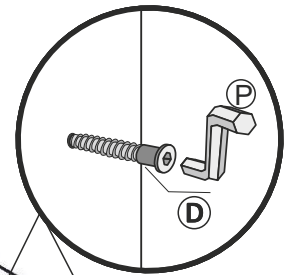
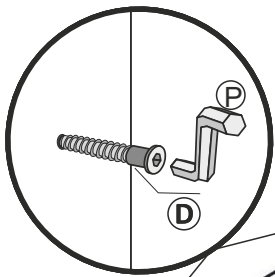


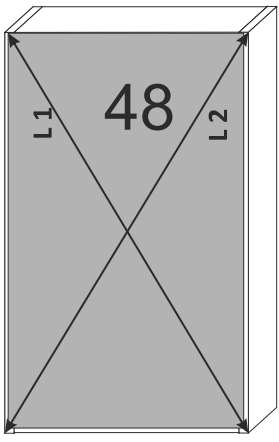
44

43

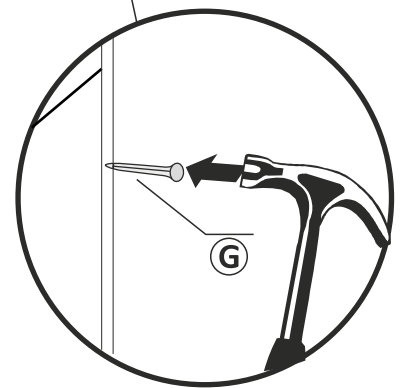
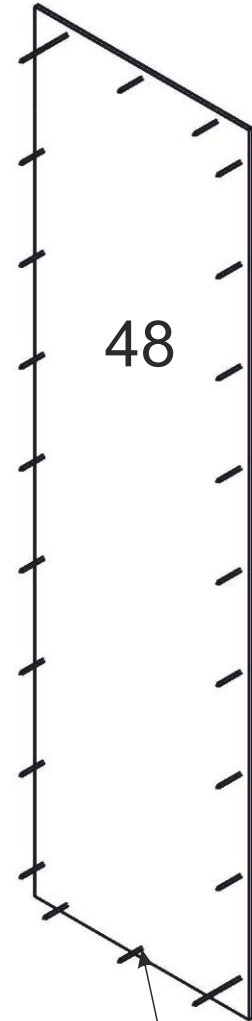
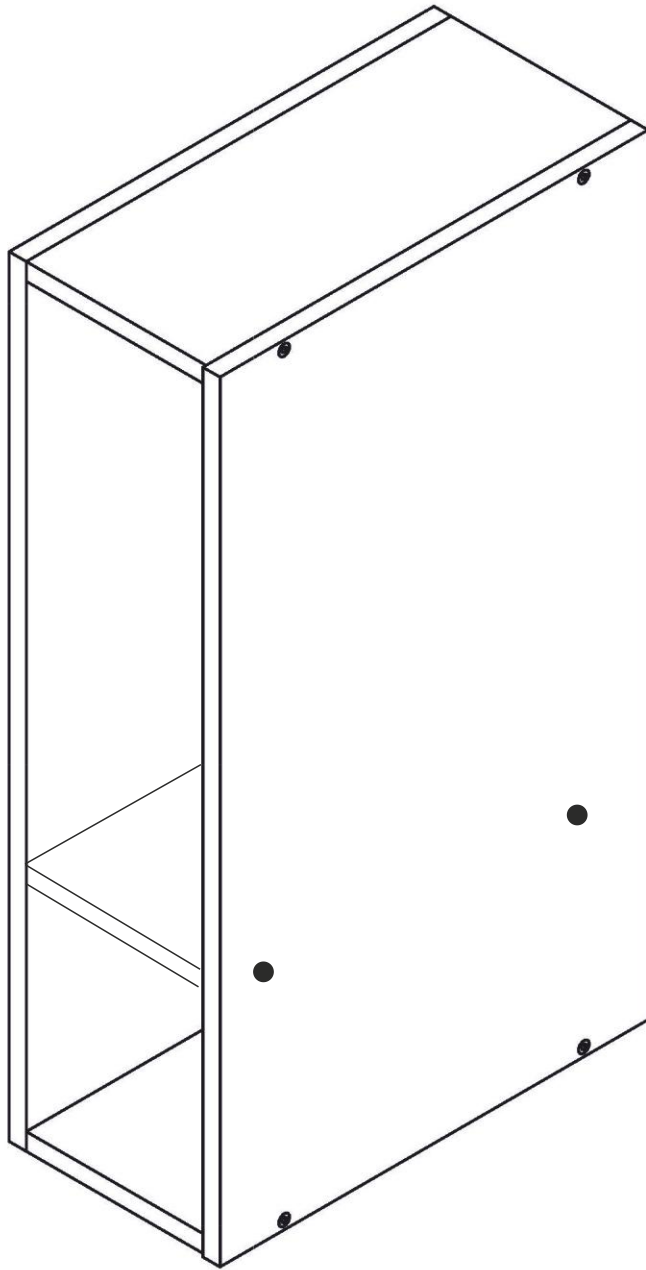
- (E)
- (F)
- 4x30 (L)

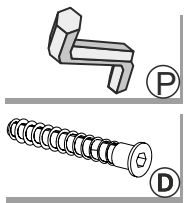
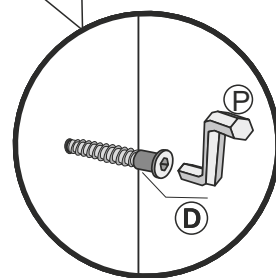
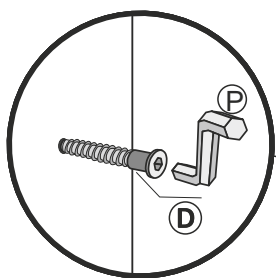
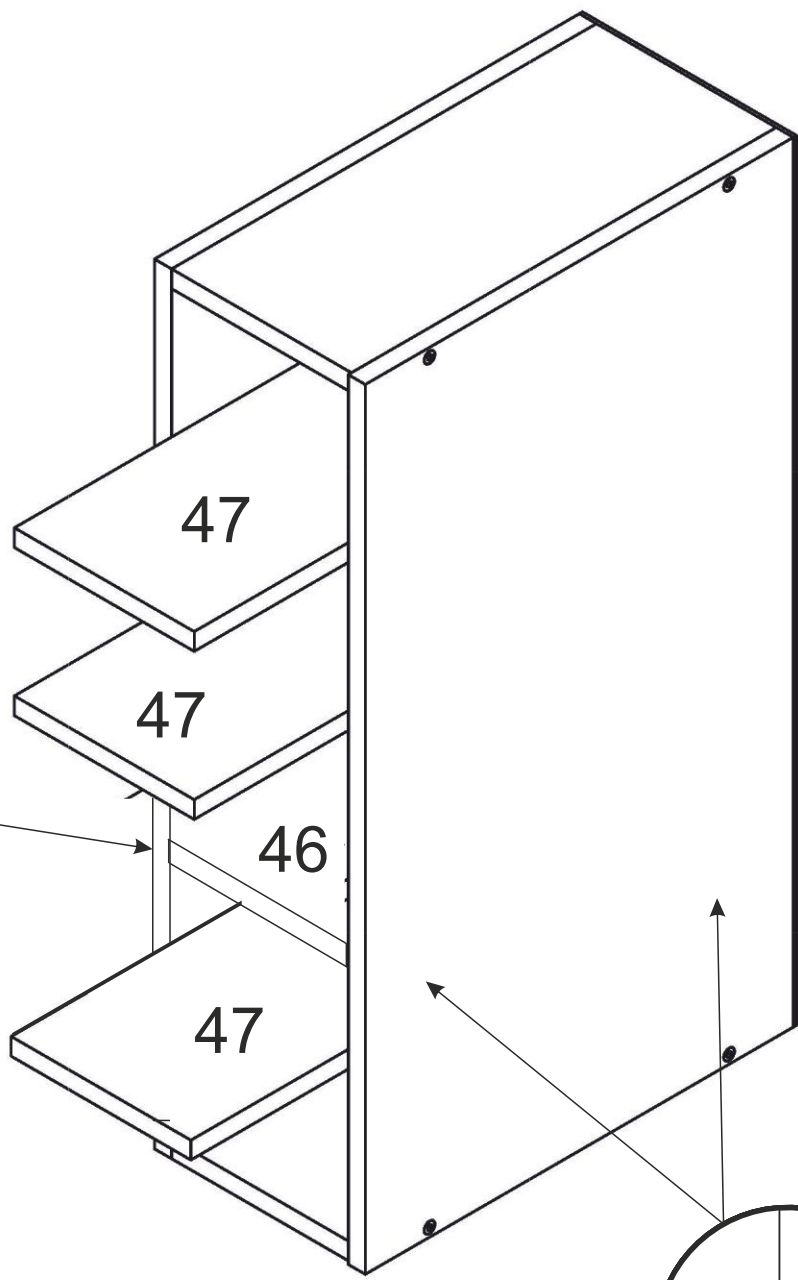


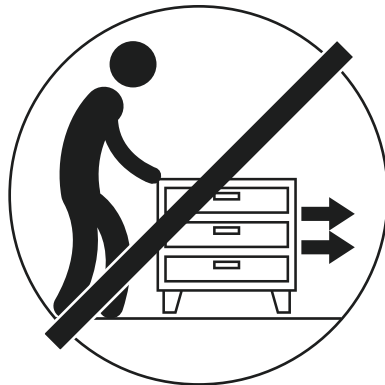
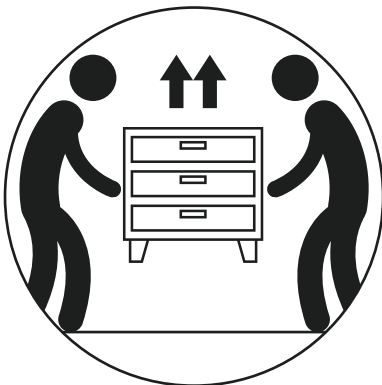
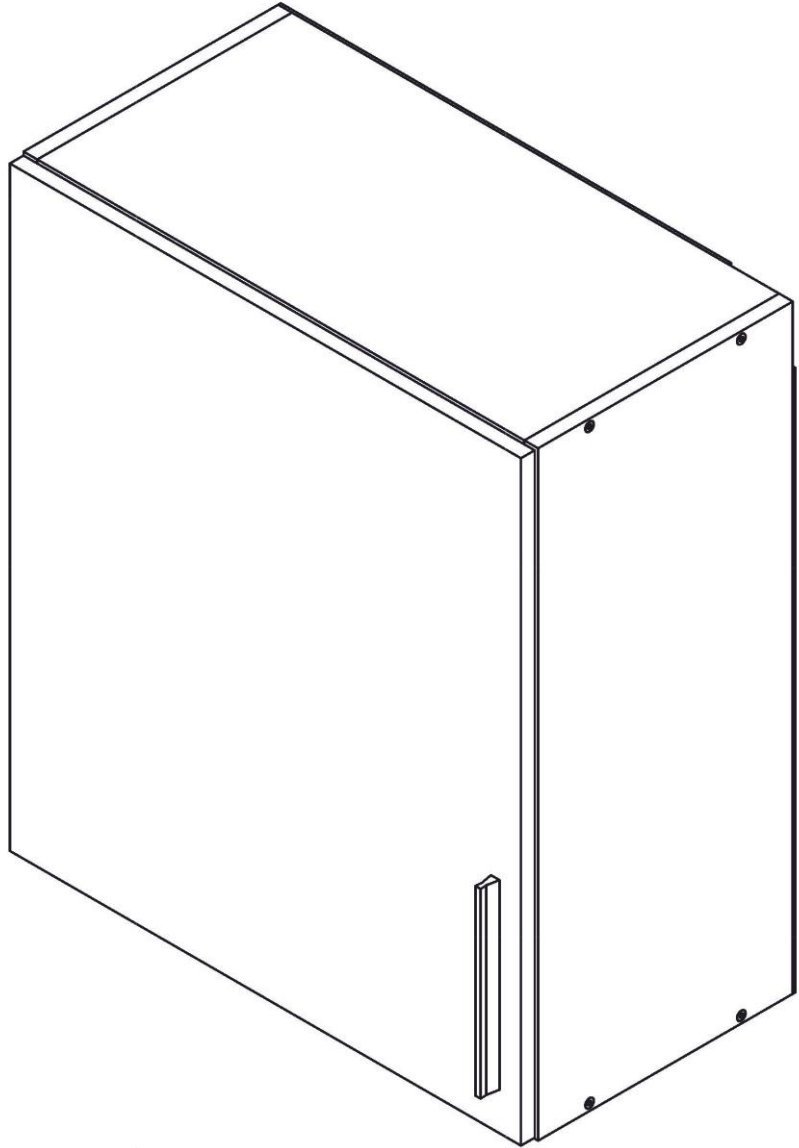
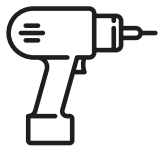


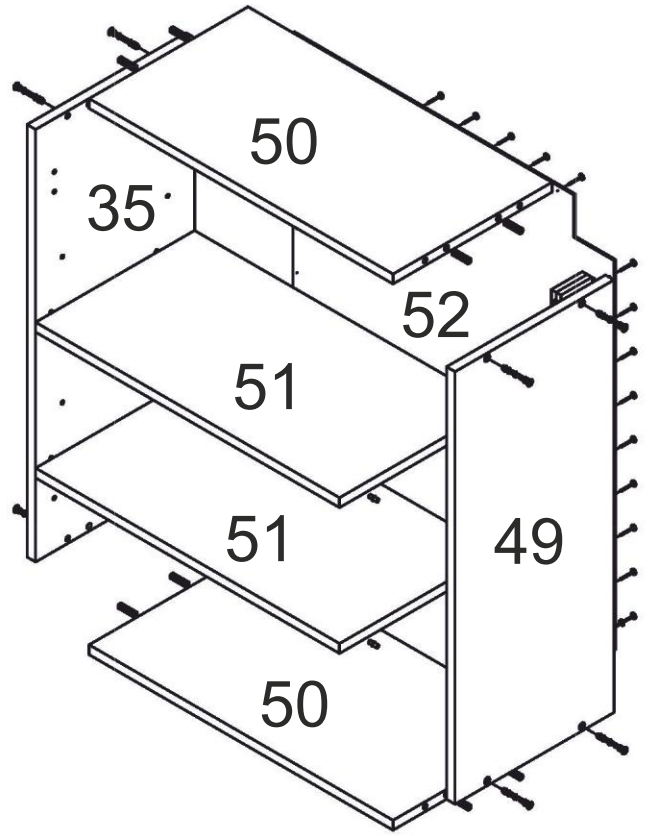
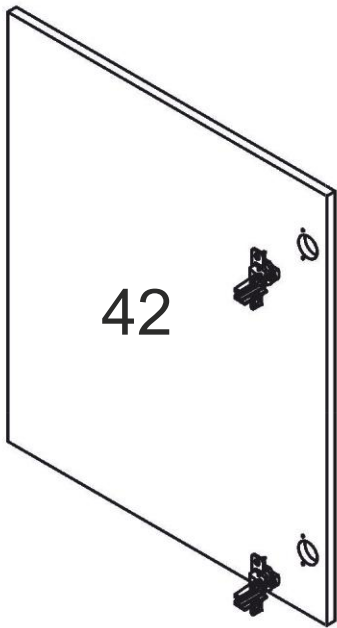


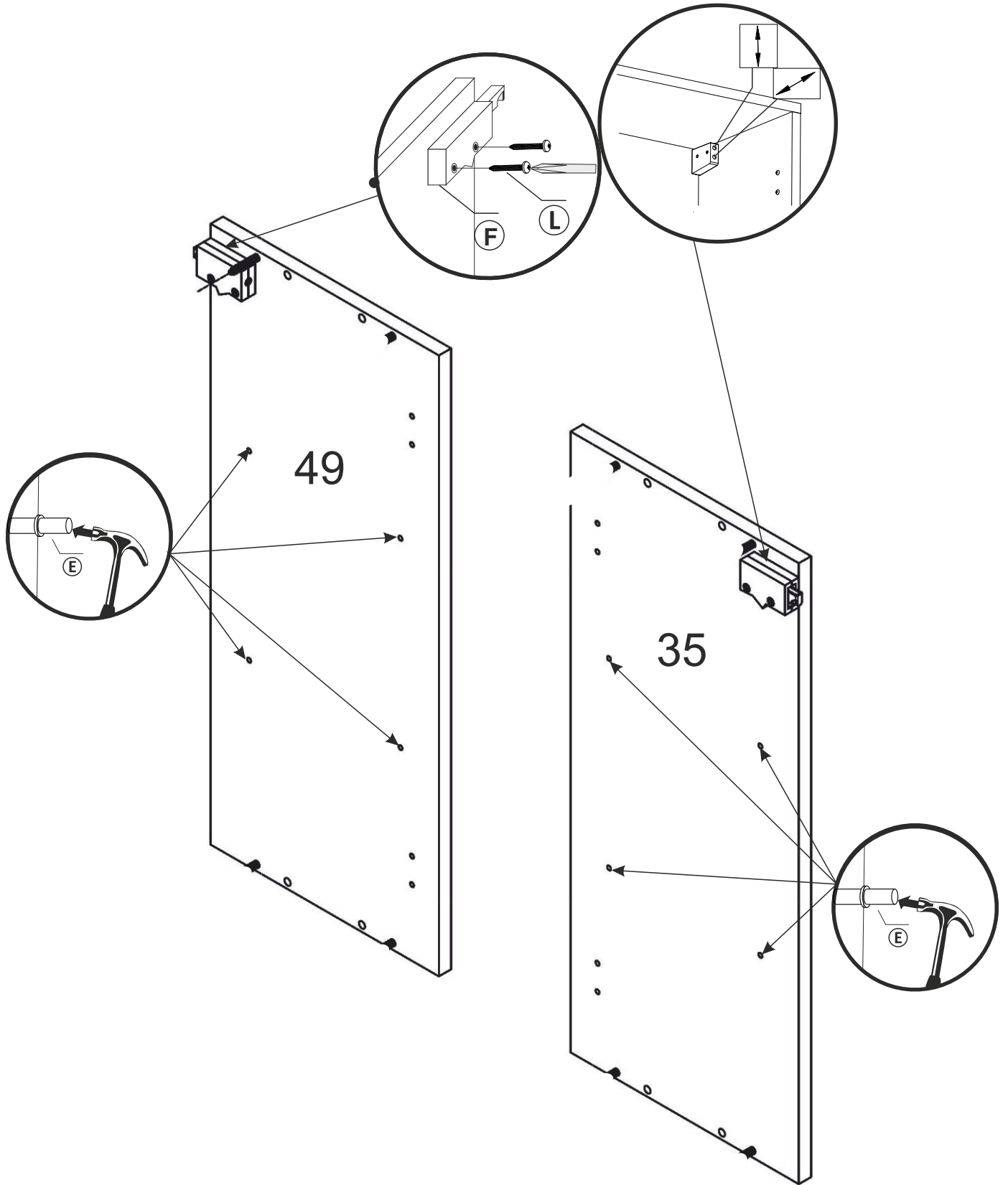
$L1 = L2$





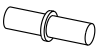




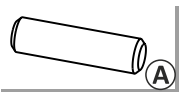
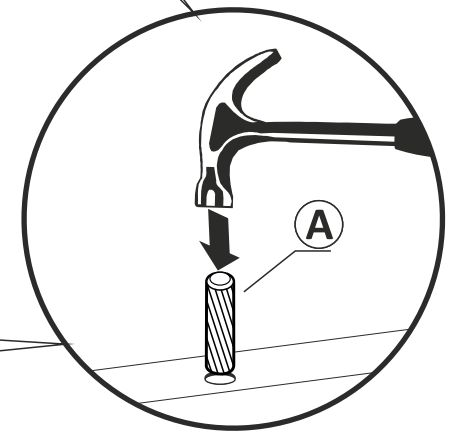
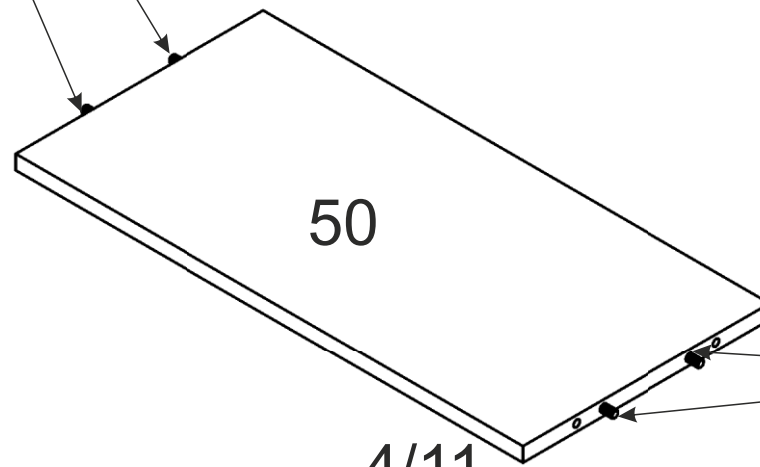
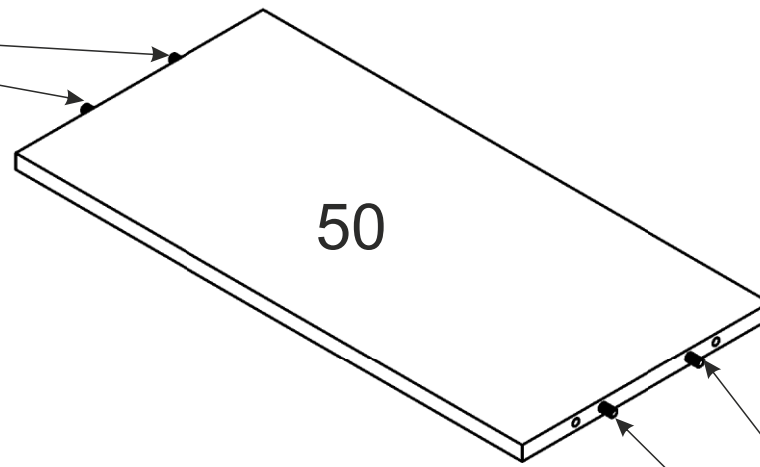
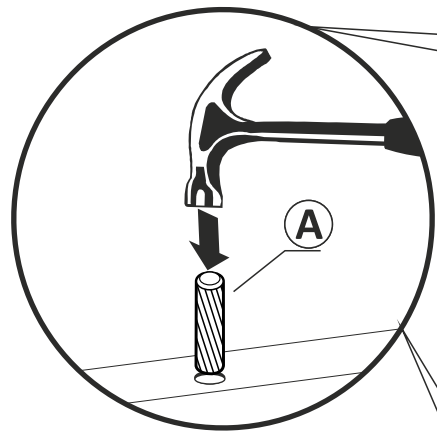




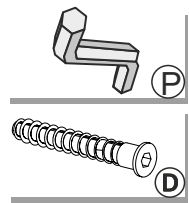
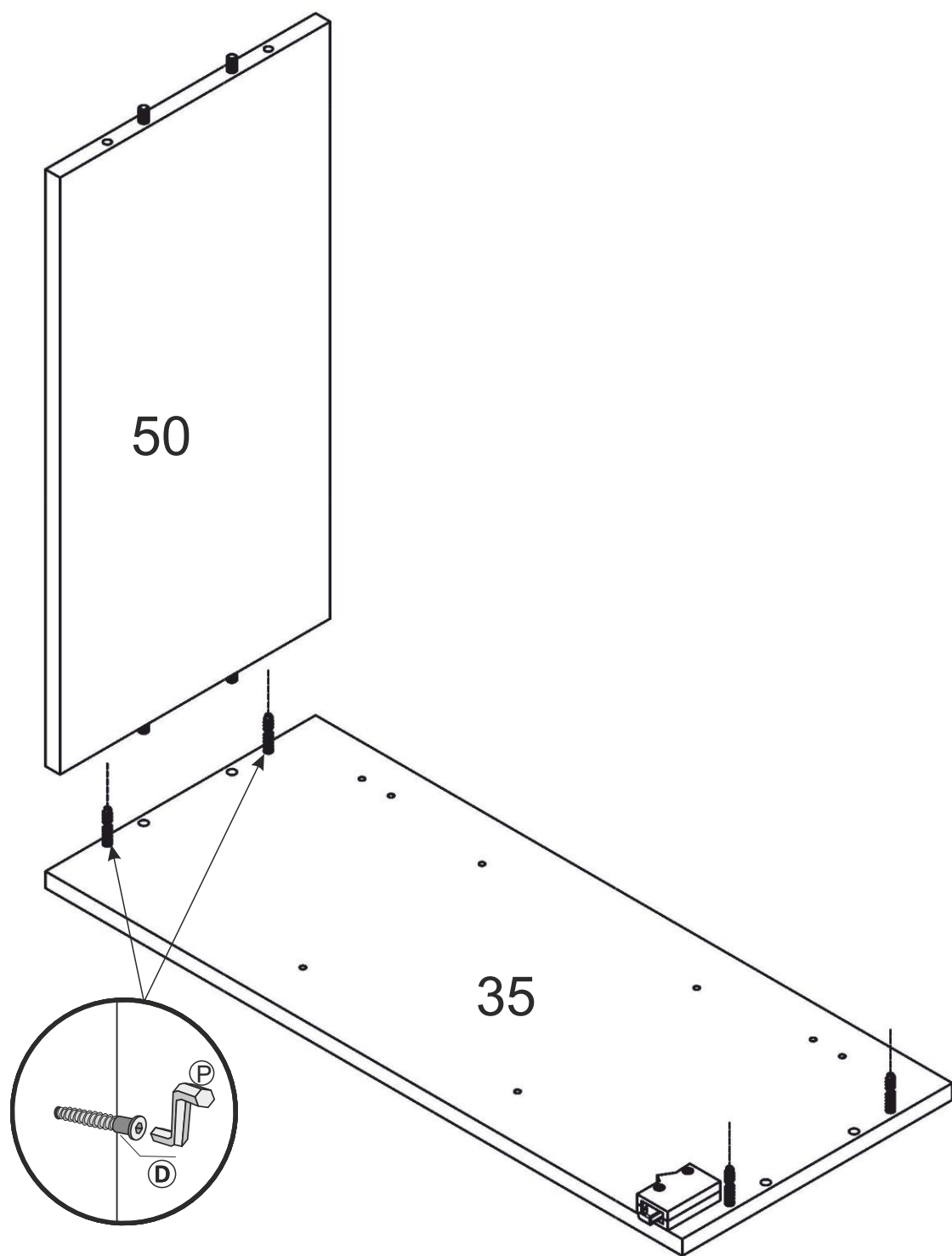
49

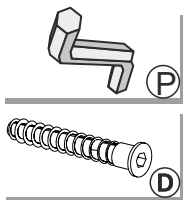
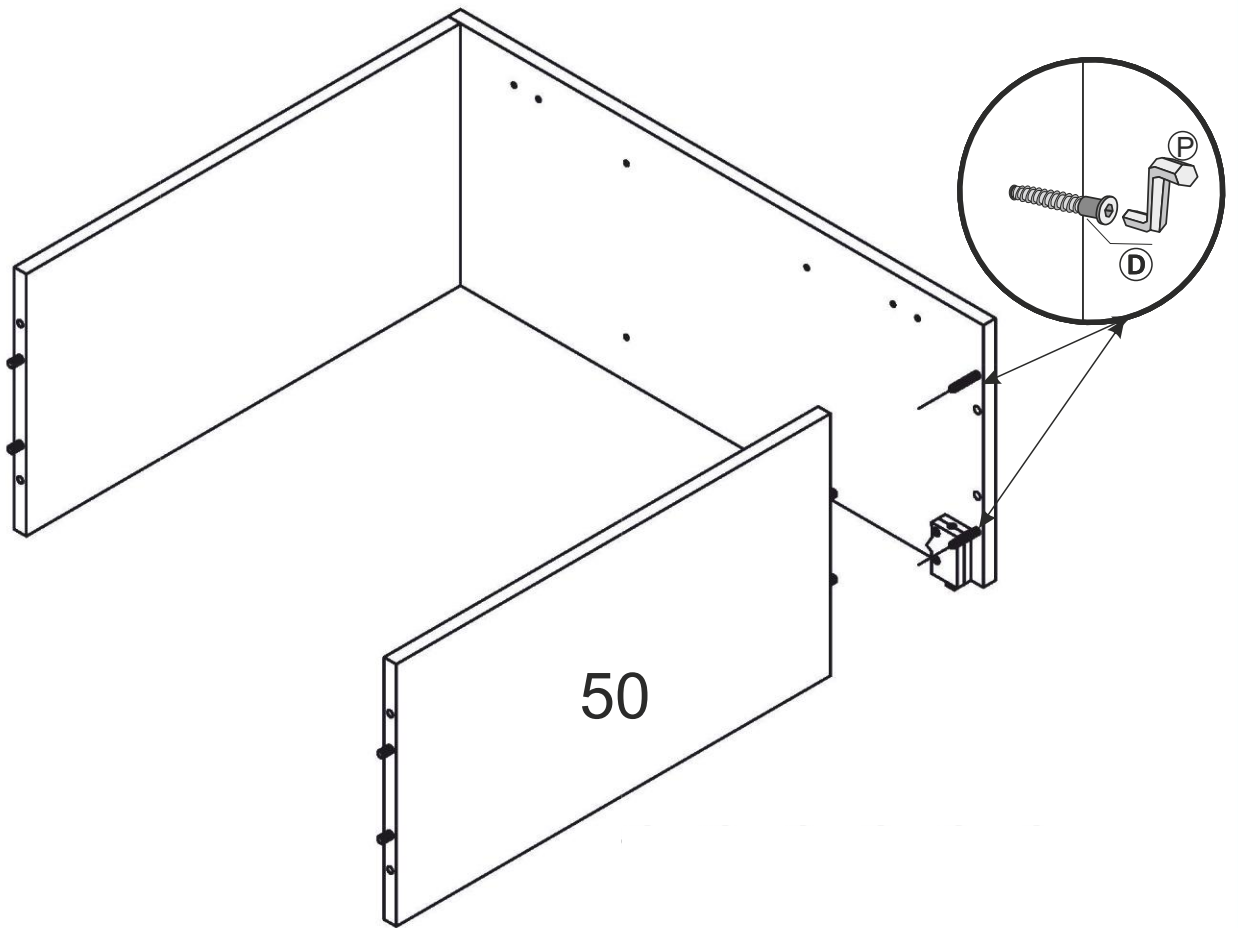
35

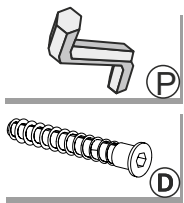
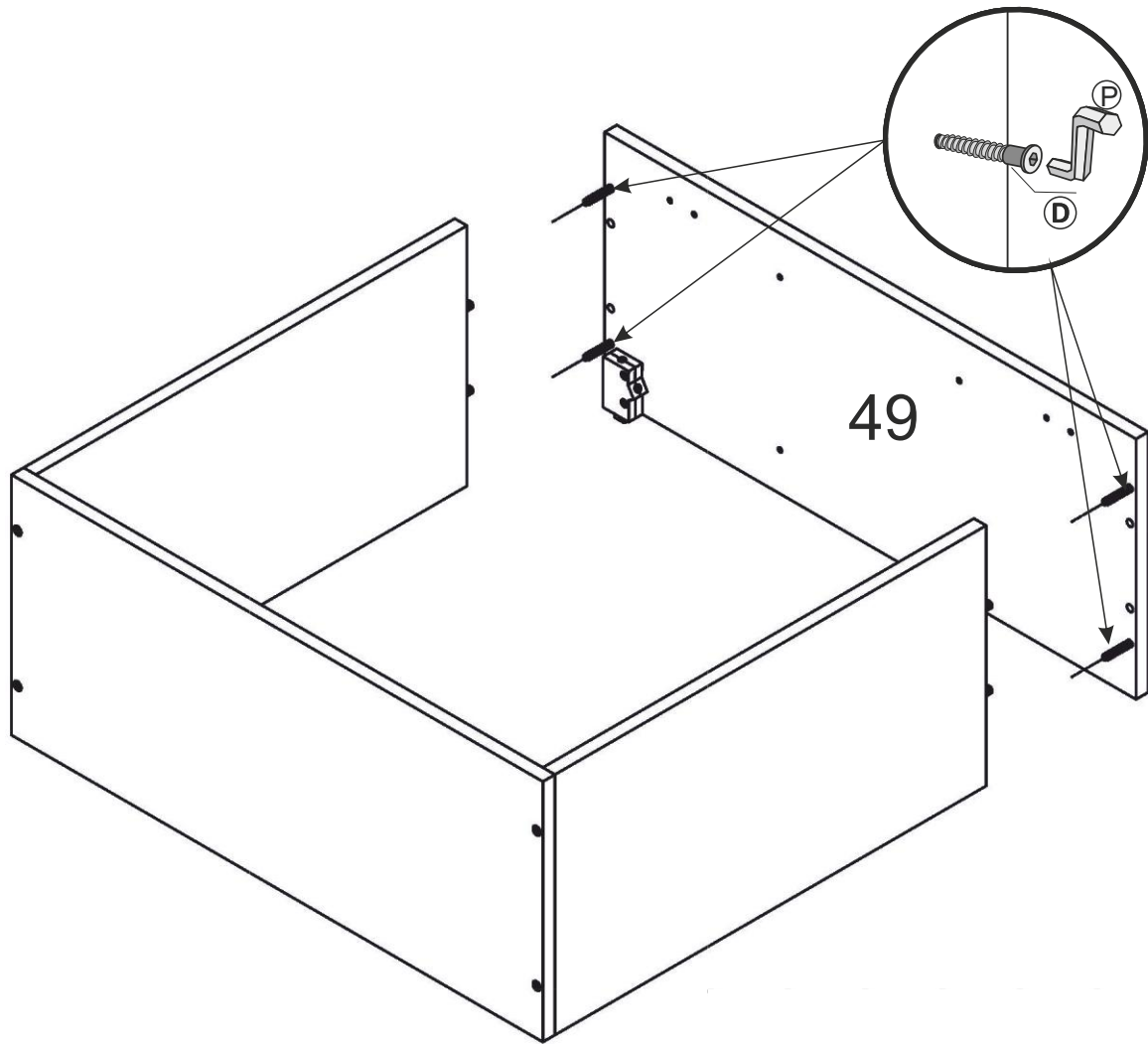
-  (E)
-  (F)
-  4x30 (L)

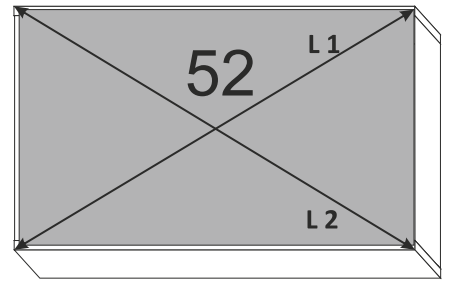


4/11

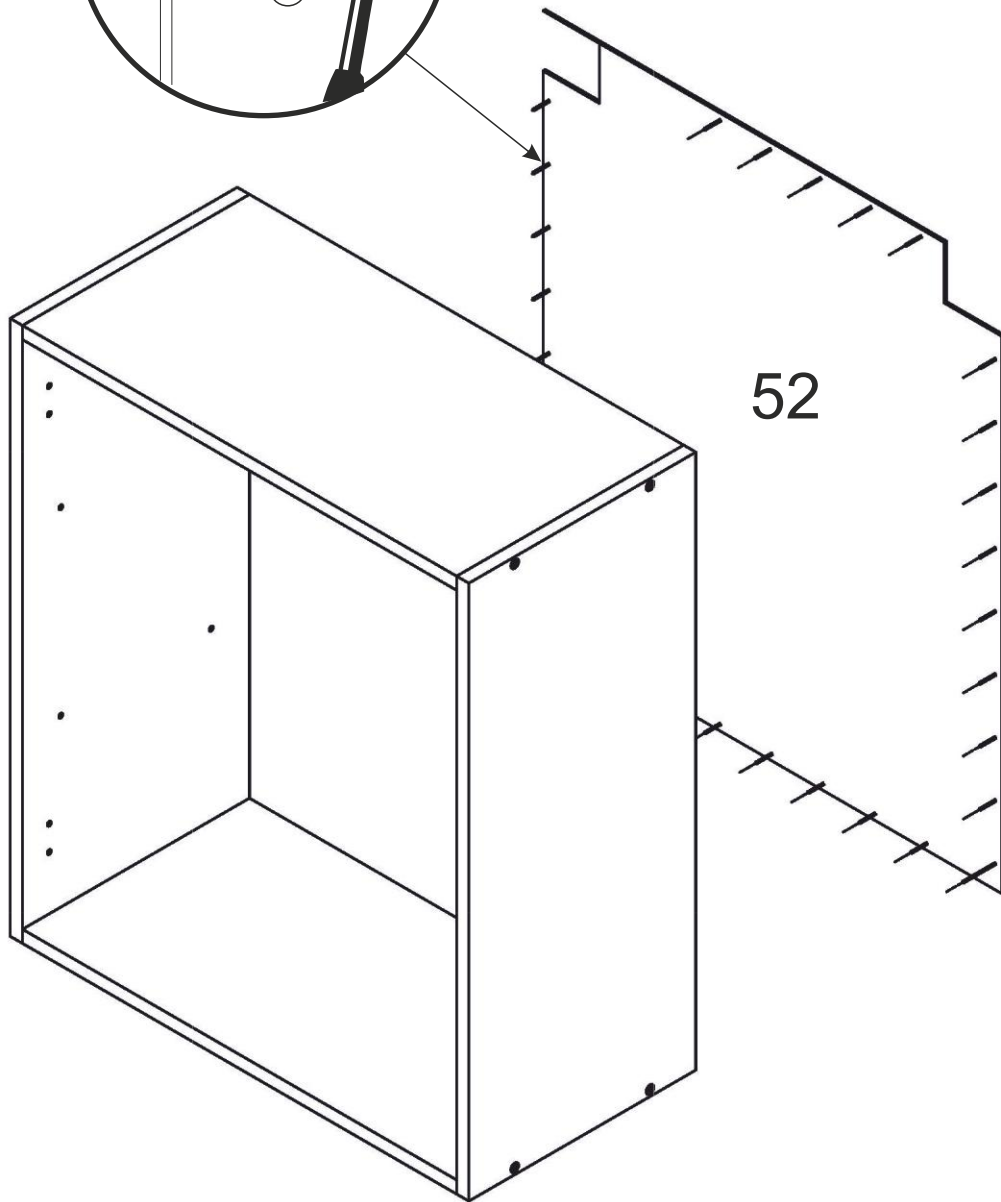
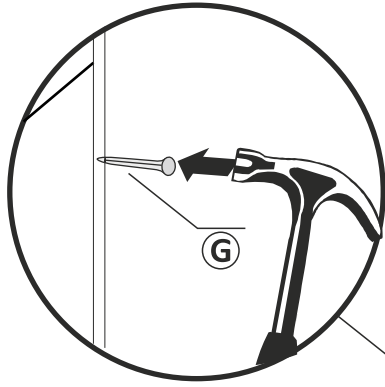


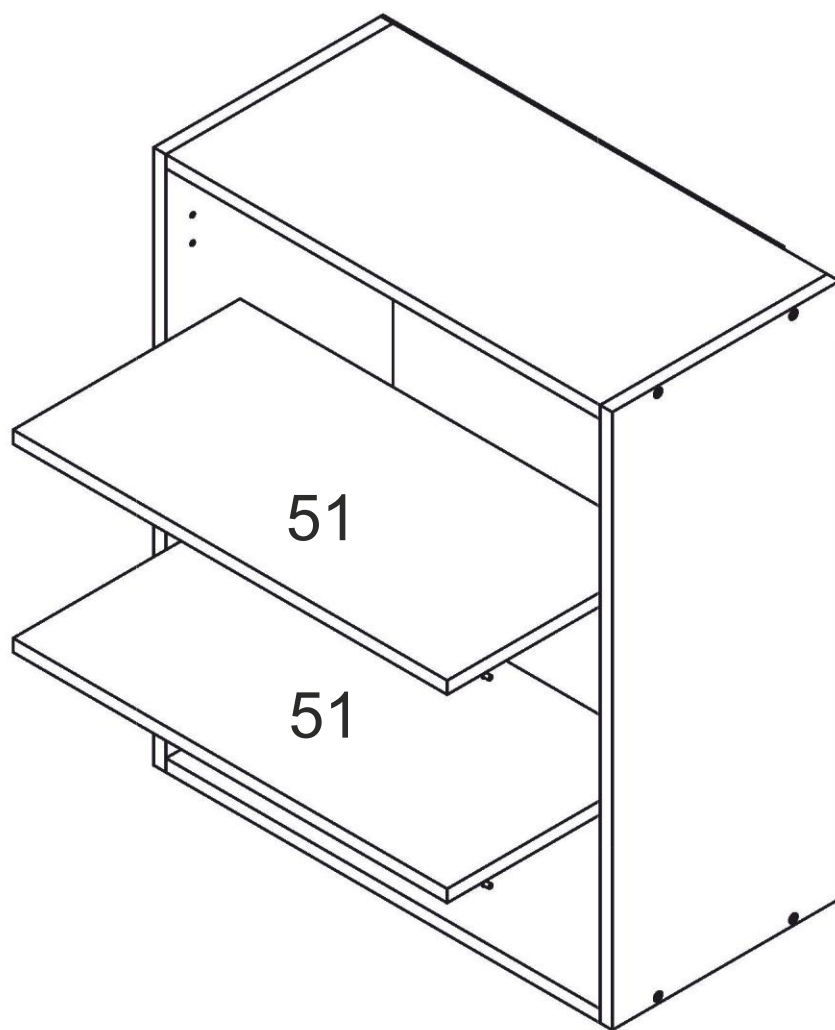


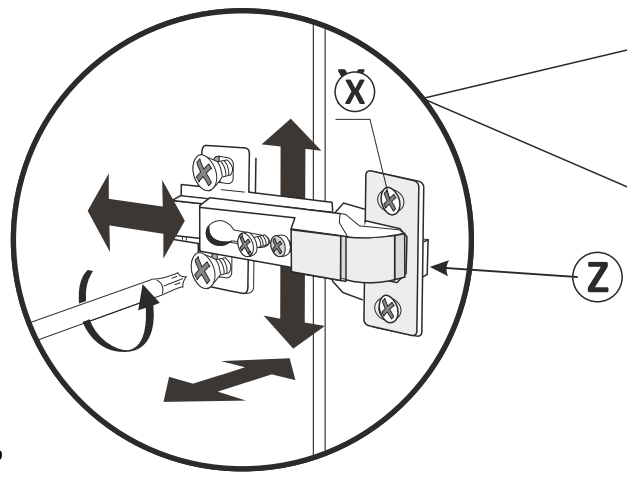
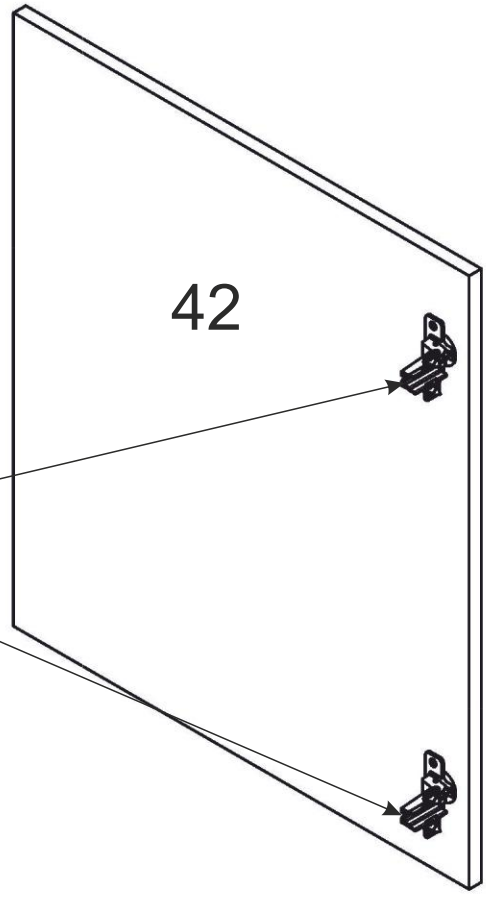
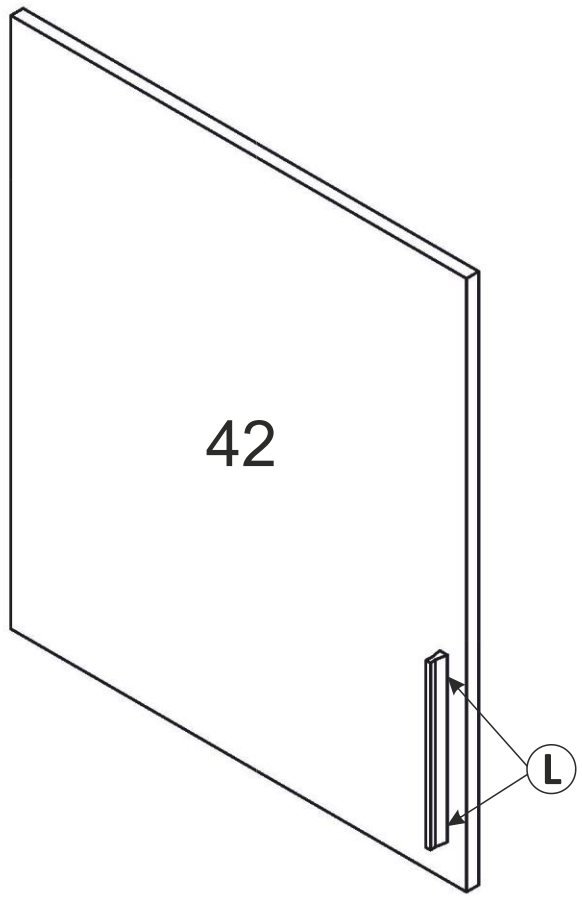
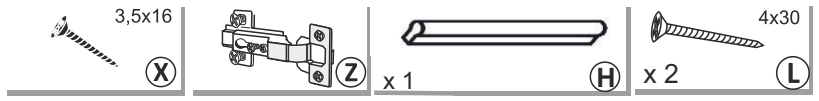


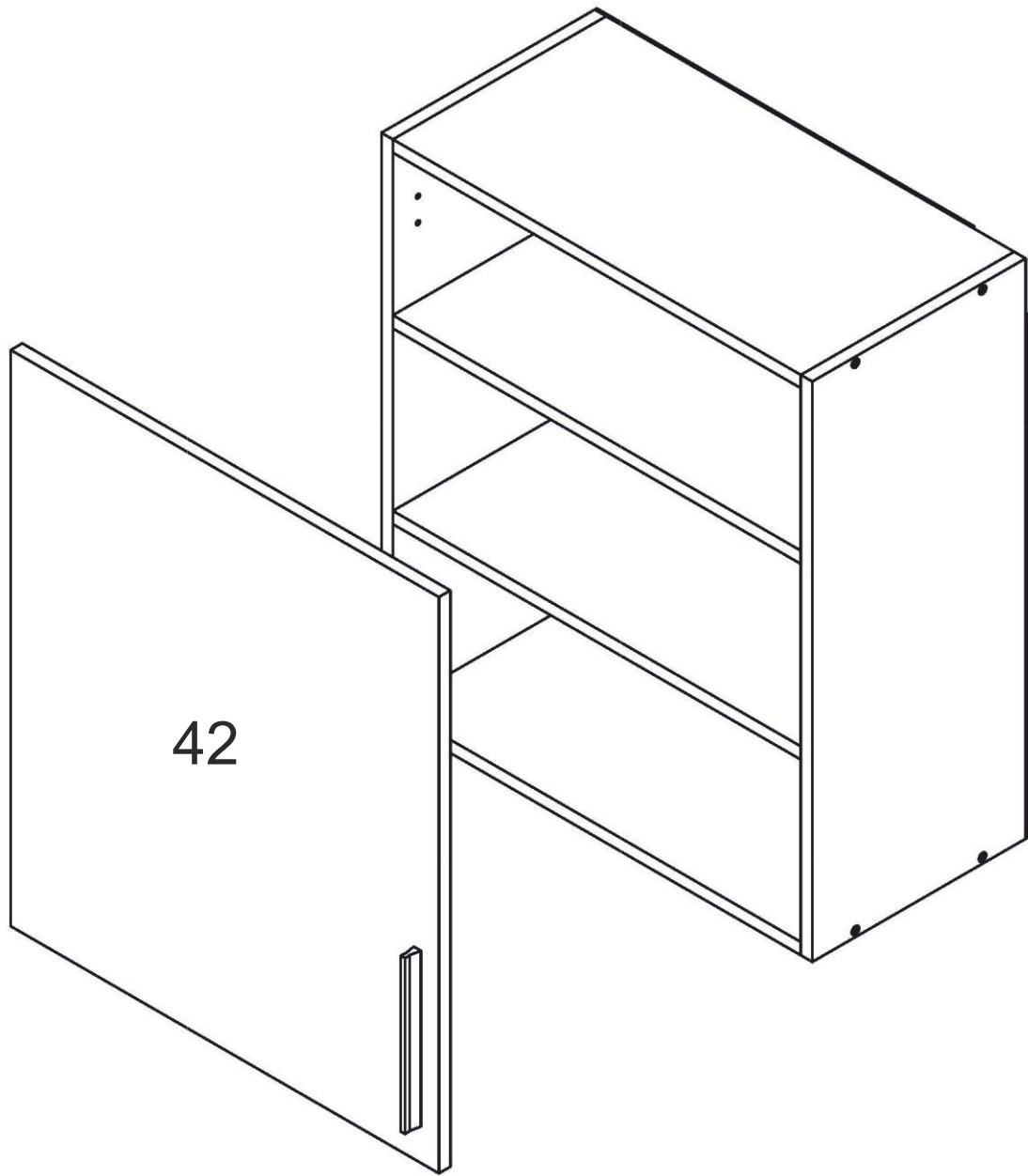


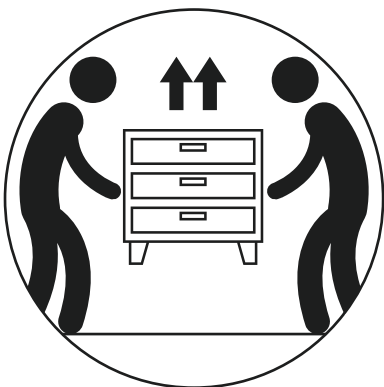
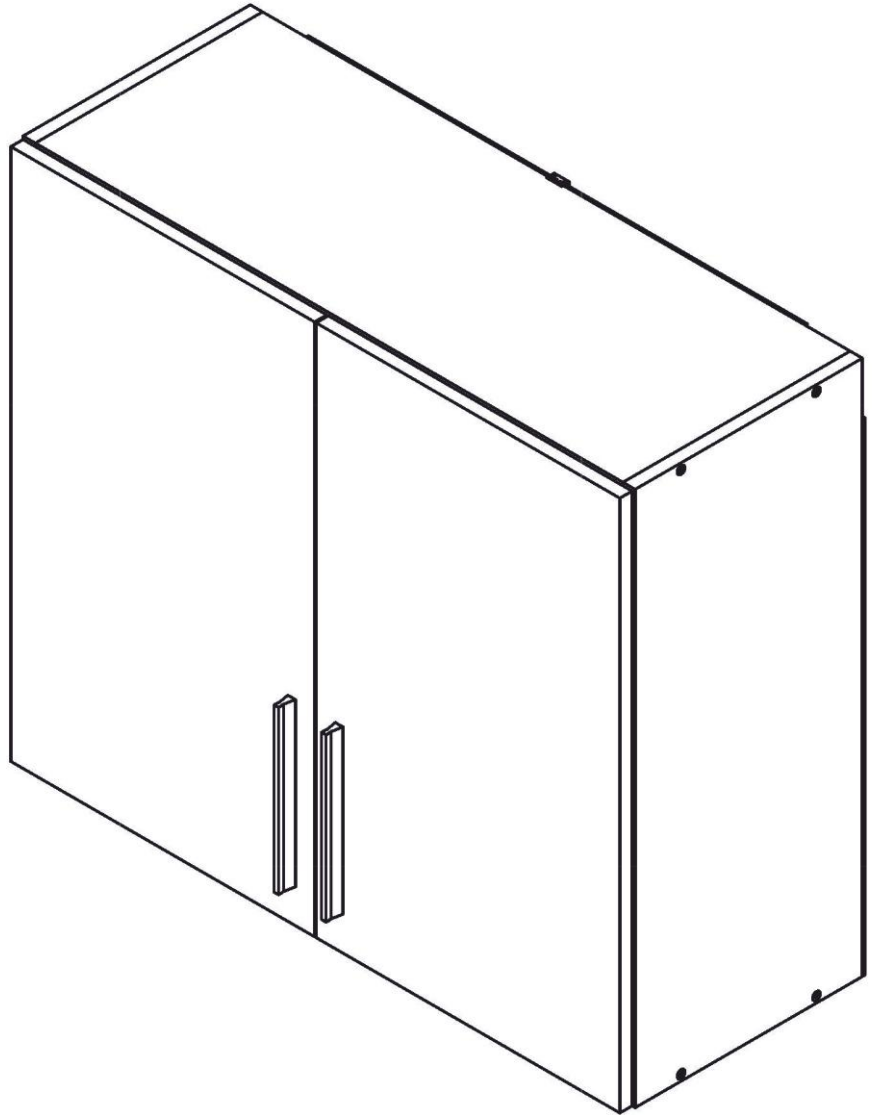
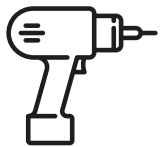
L1 = L2

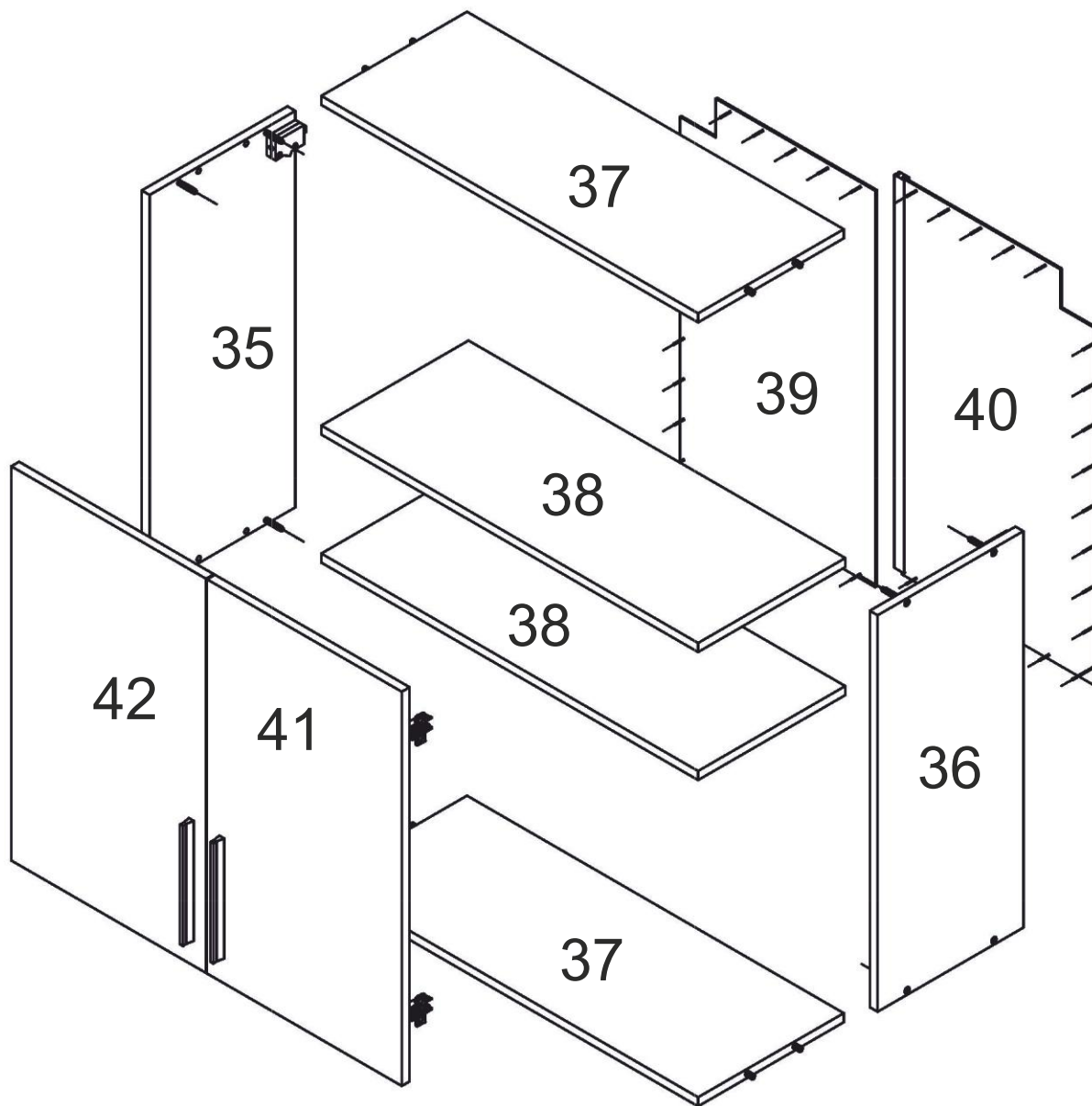


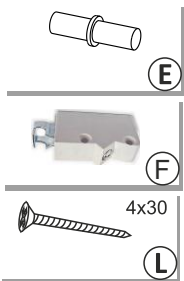
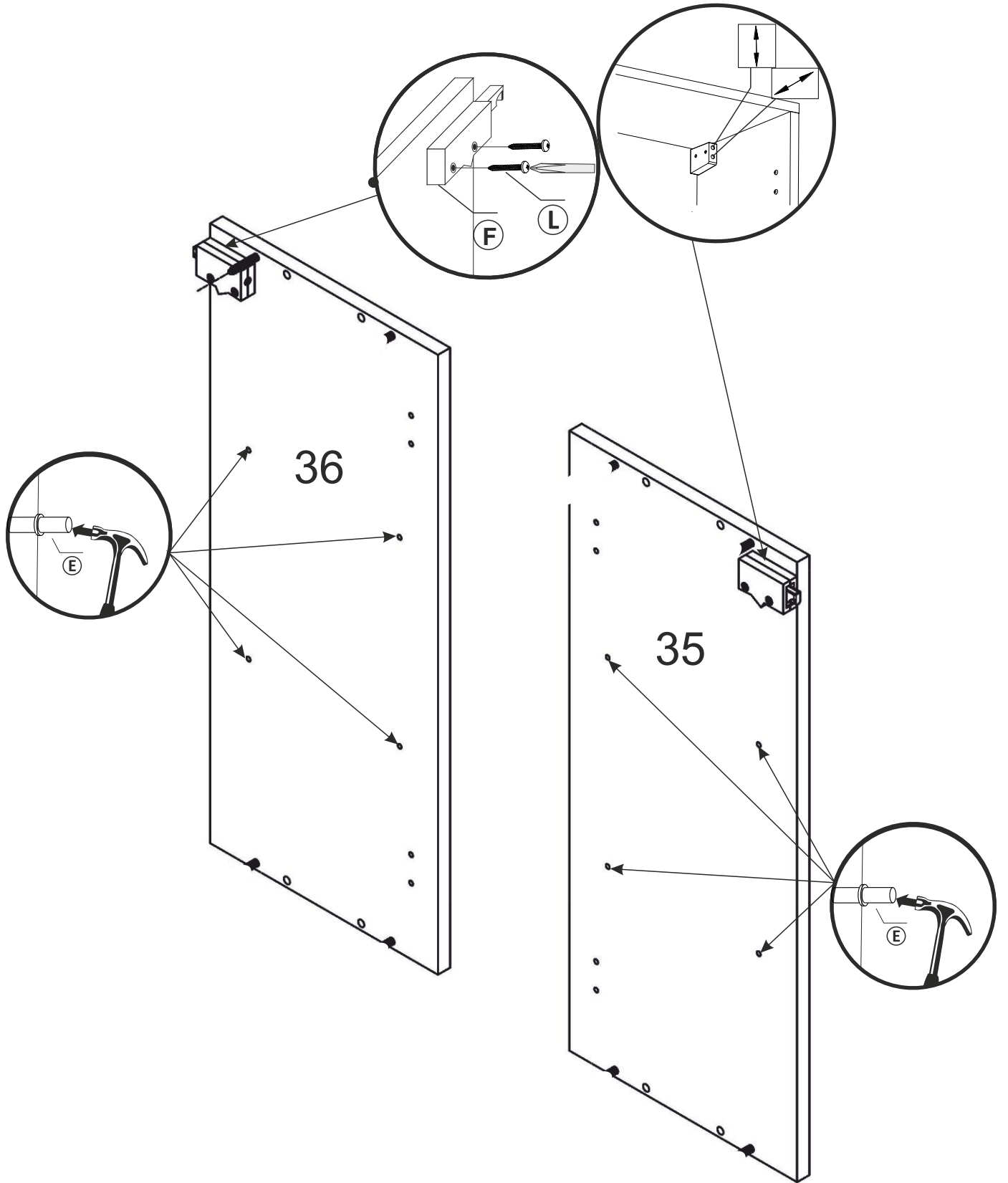


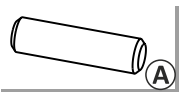
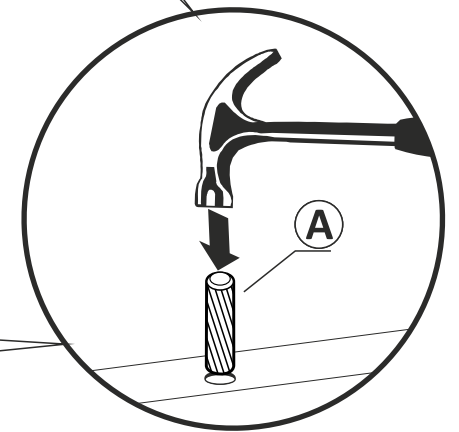
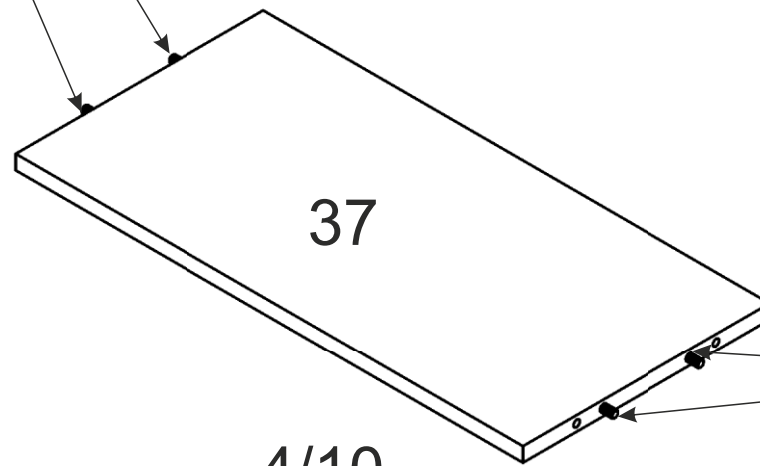
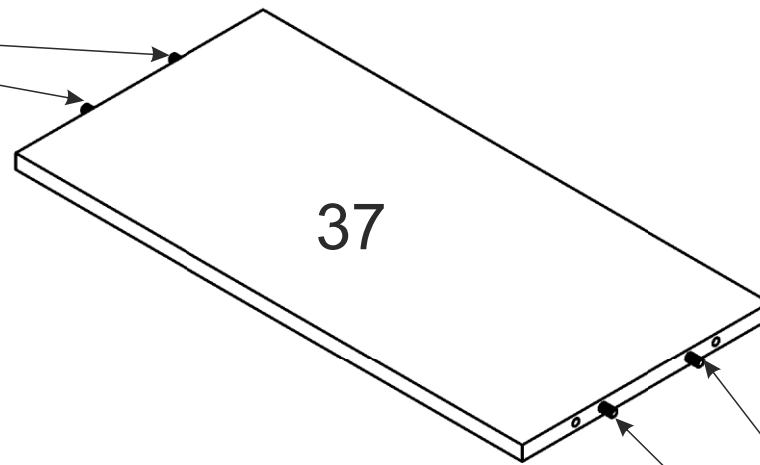
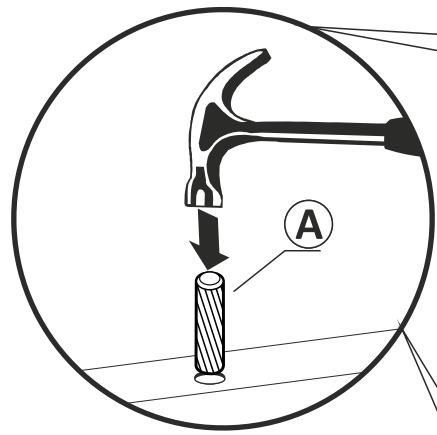




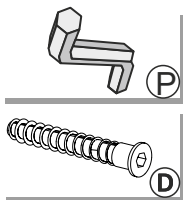
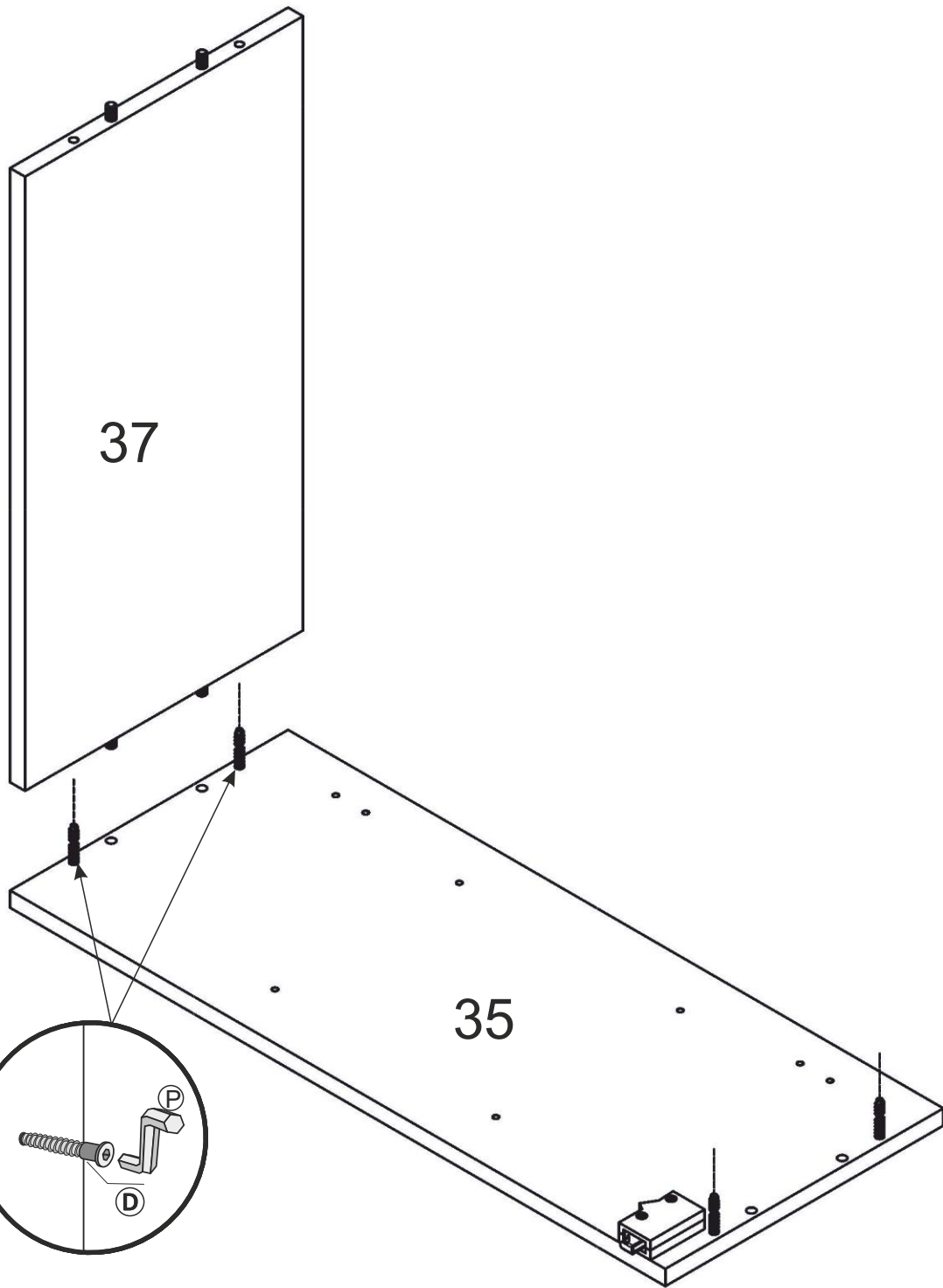


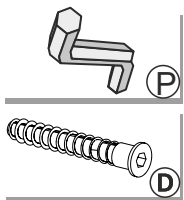
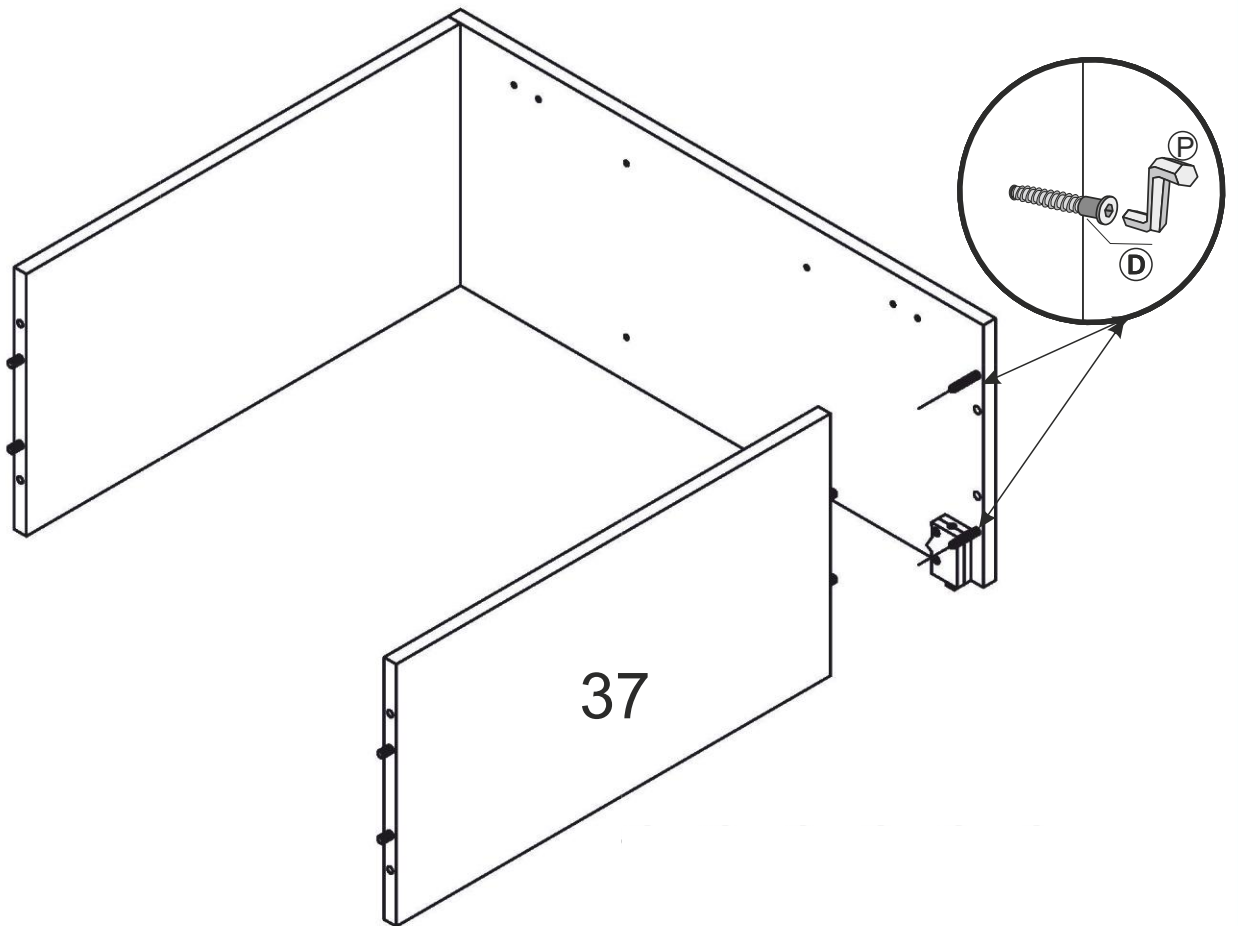


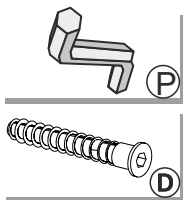
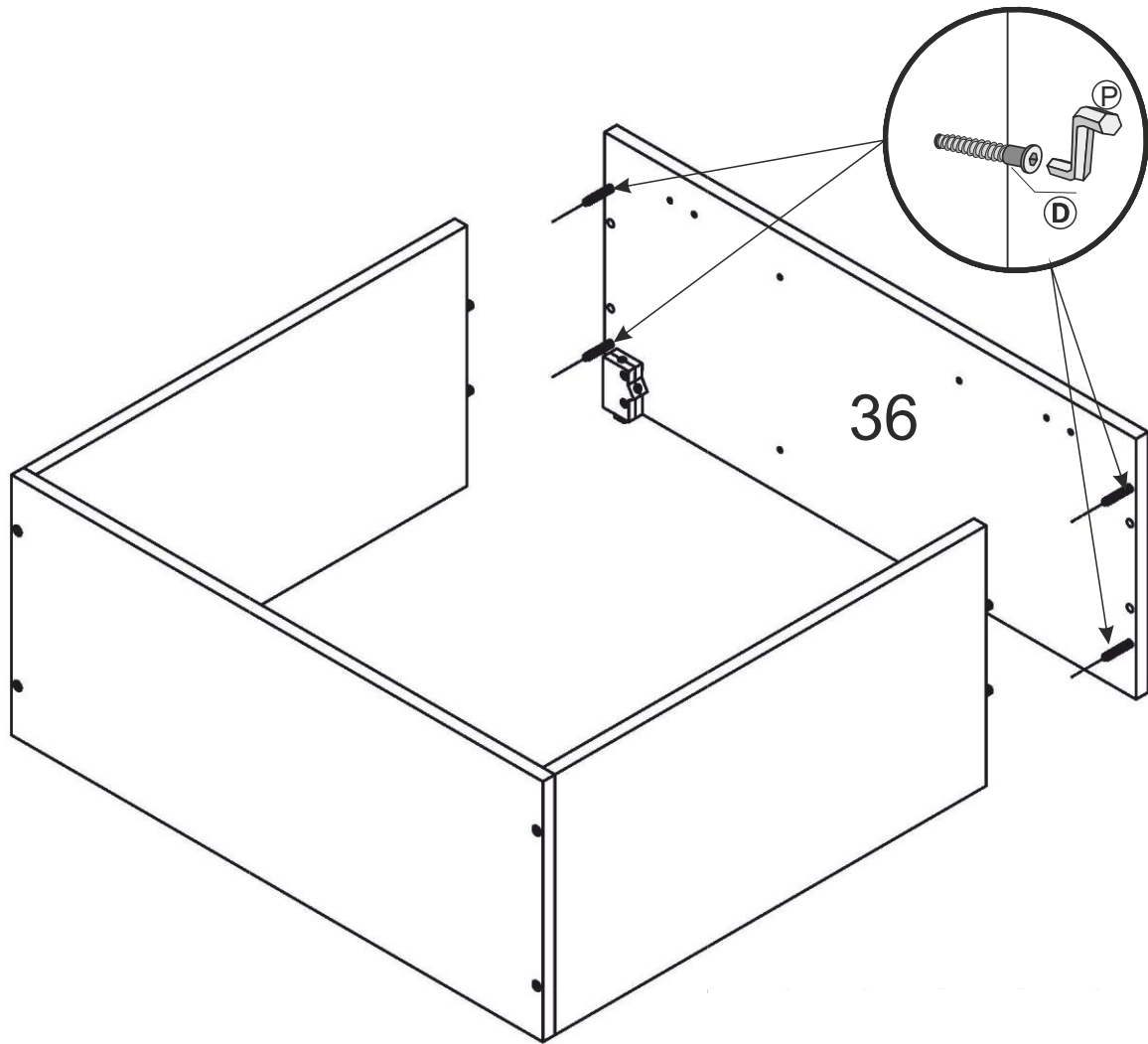


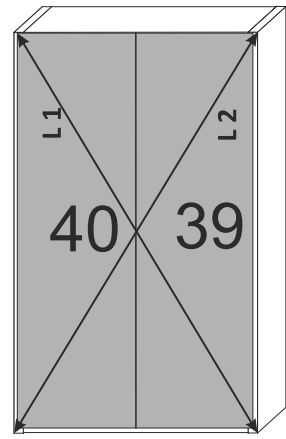
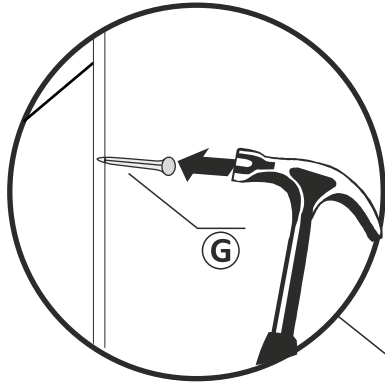


4/10

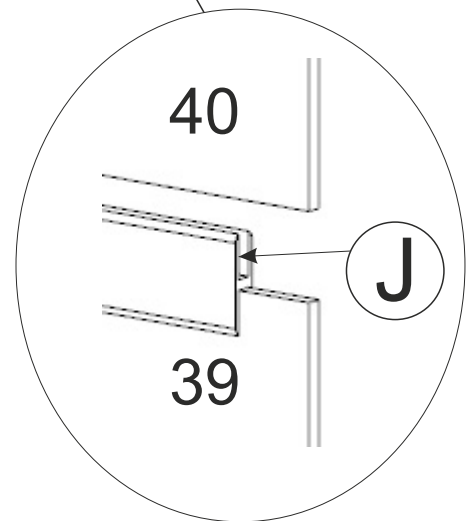
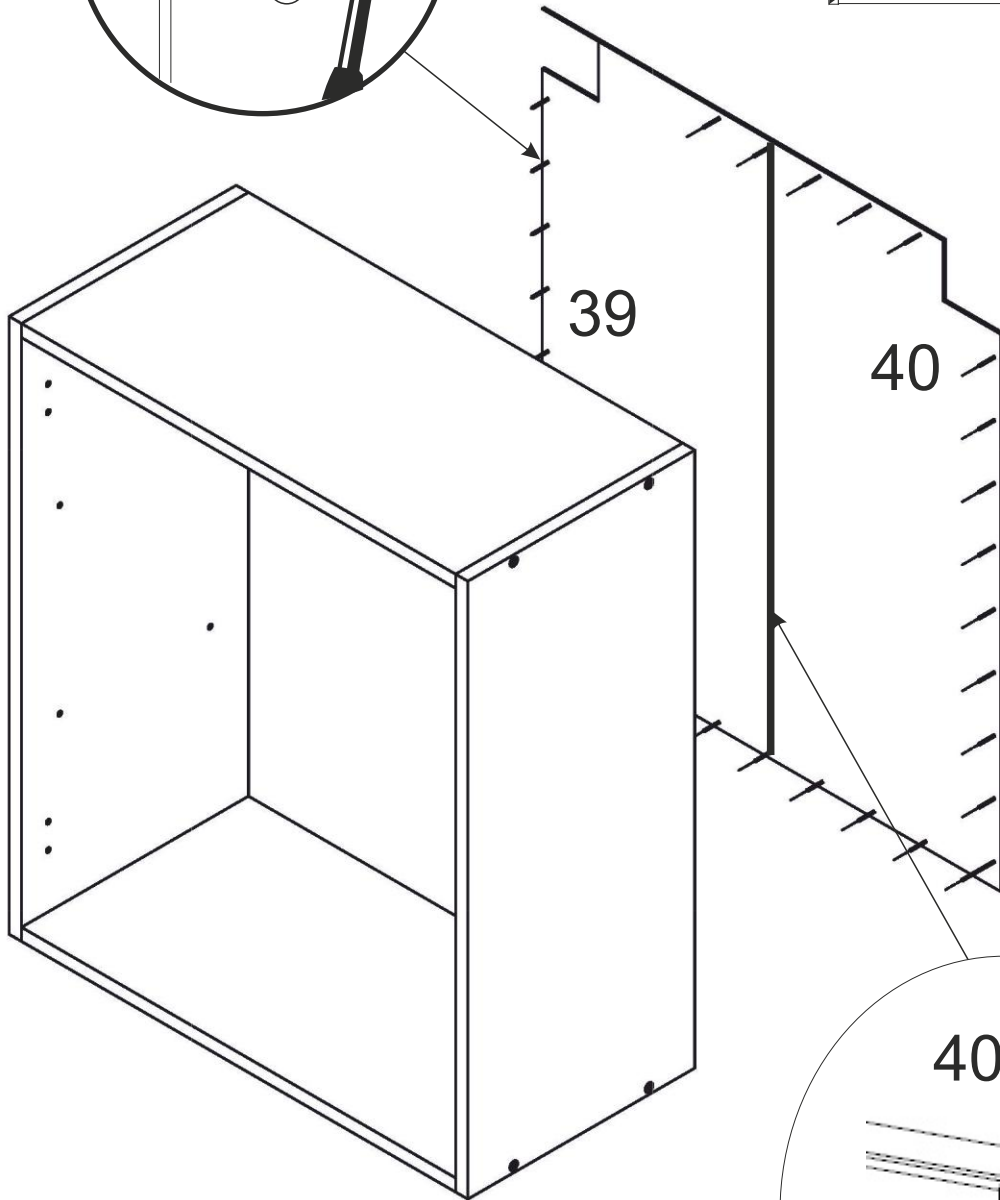


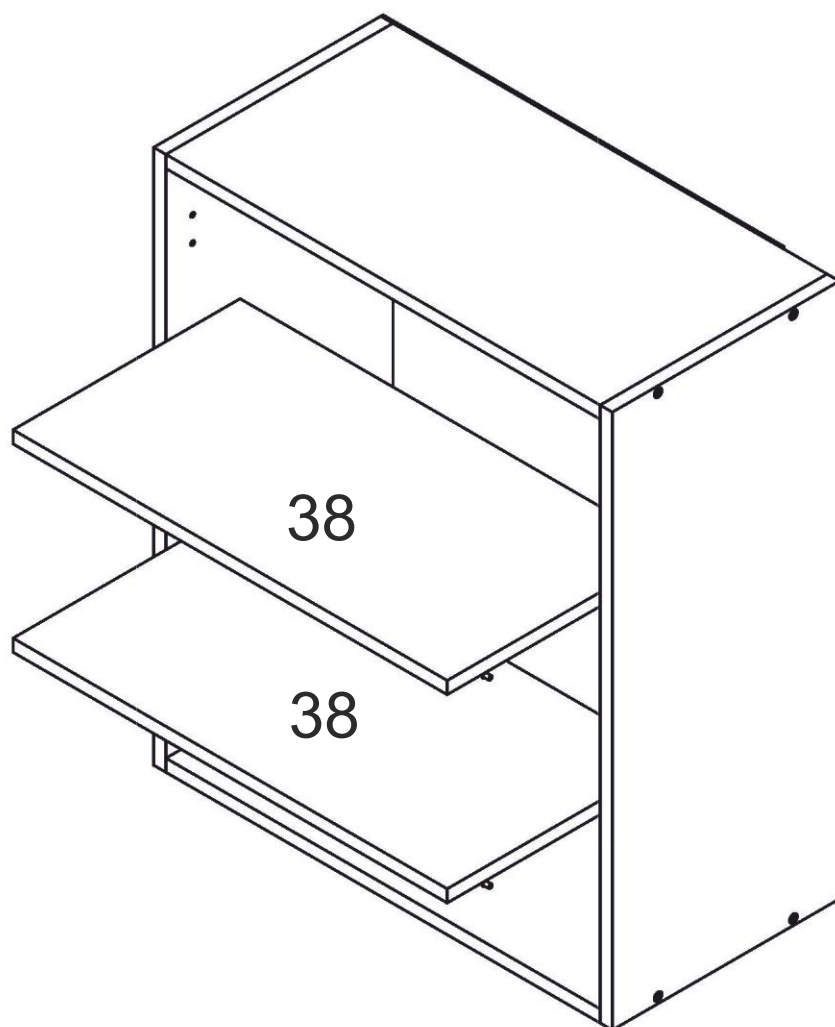


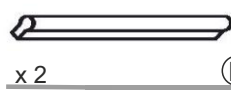




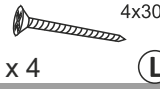
L1 = L2



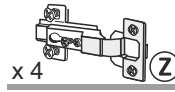




(H)



(L)



(Z)



(X)

