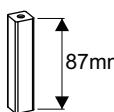
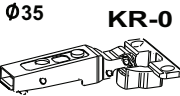
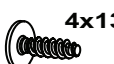

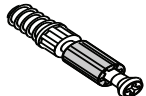

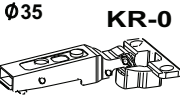
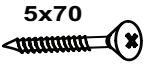
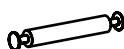
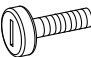
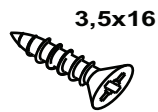

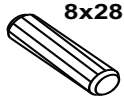



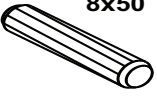

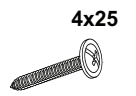

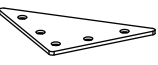

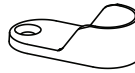

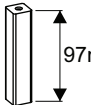

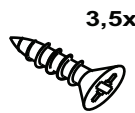

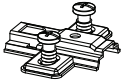

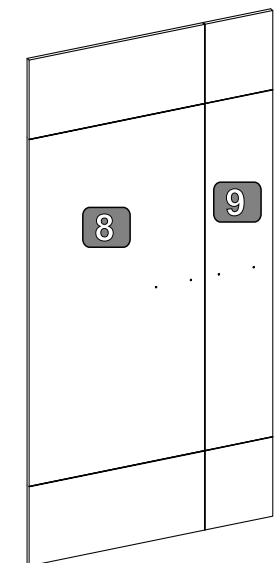
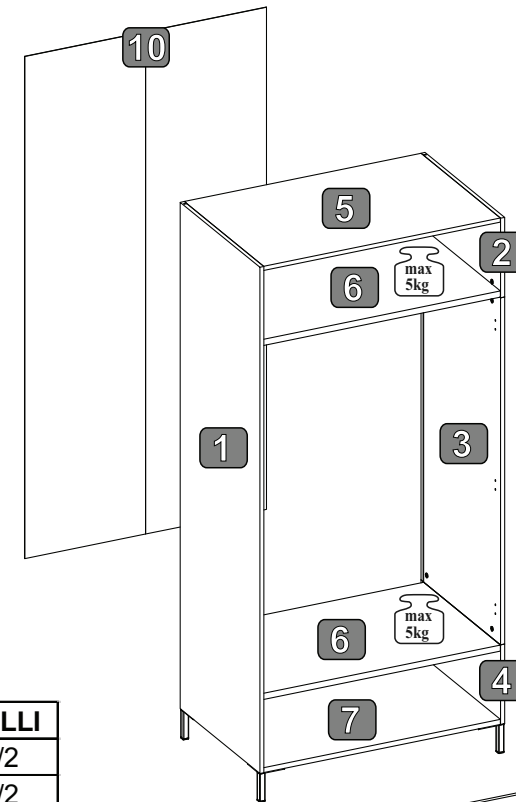
 15x12 28x T02	 87mm 1x N07	 Ø35 KR-0 4x Z22	 4x13 2x W07	 866mm 1x G08
 20x T01	 1x S11	 Ø35 KR-0 6x Z23	 5x70 1x F11	
 4x T03	 1x N08	 3,5x16 20x W01	 1x F01	
 8x28 16x D01	 M5-20 5x NS1	 2x S42	 10x G01	
 8x50 4x D03	 Z3 1x K02	 4x25 4x W28	 Ø20 14x C01	
 5x N05	 4x16 20x W25	 2x G05	 Ø20 4x C03	
 97mm 4x N06	 20x R01	 3,5x13 4x W02		
 4x S10	 10x Z21	 1x P01		

NR	DIM	QTE	COLLI
1	1825x585x15	1	2/2
2	585x287x15	1	2/2
3	1251x585x15	1	2/2
4	585x287x15	1	2/2
5	870x584x15	1	1/2
6	870x565x22	2	1/2
7	870x584x18	1	1/2
8	618x355x5	1	2/2
9	645x286x15	1	2/2
10	1810x888x2	1	2/2

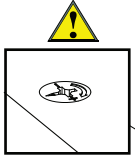
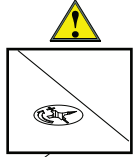
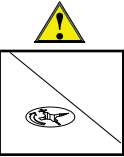
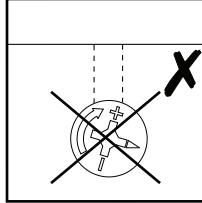
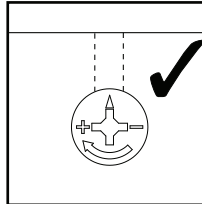
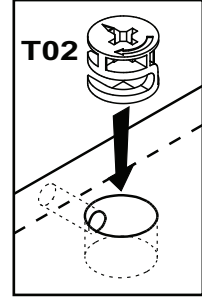
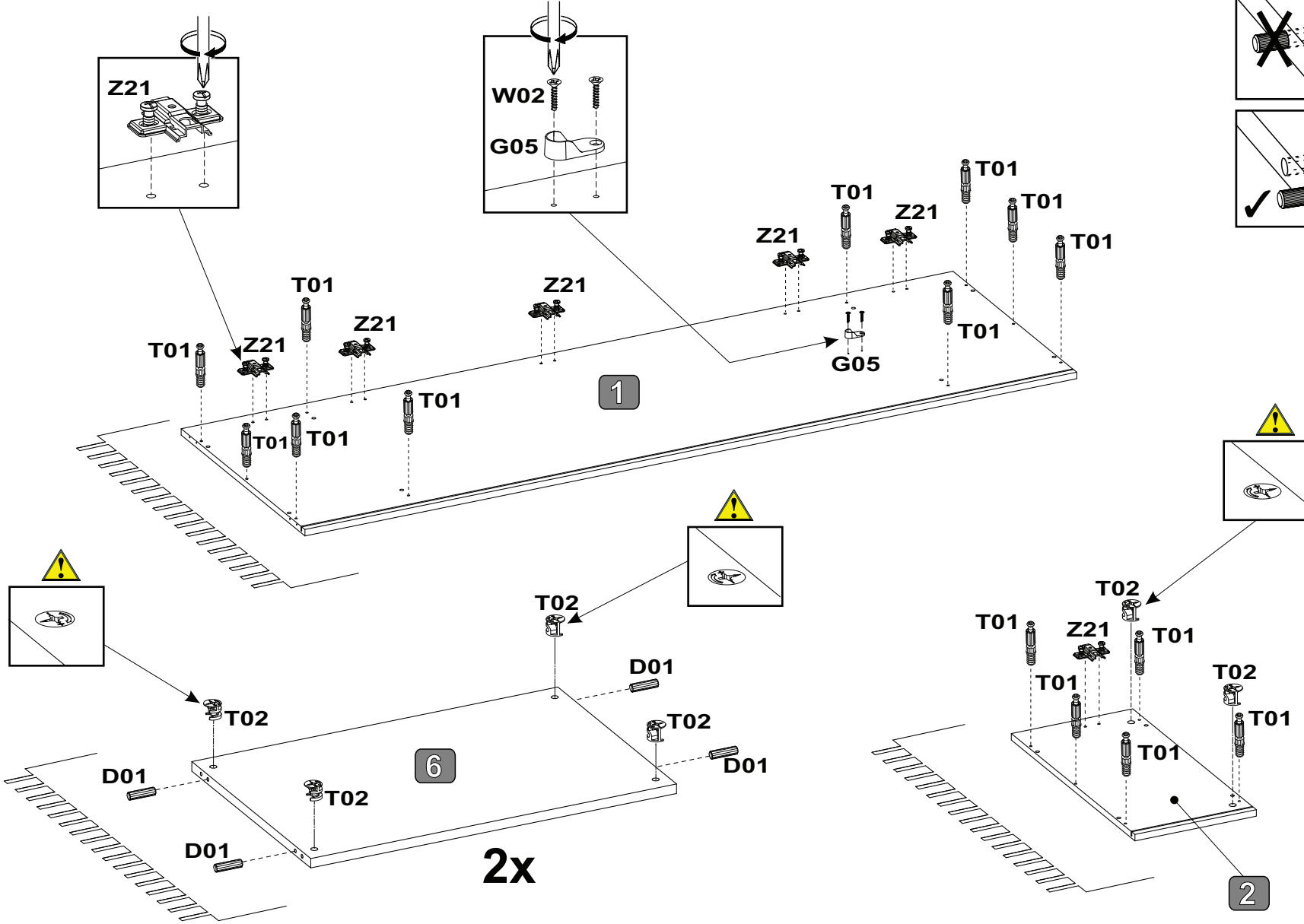
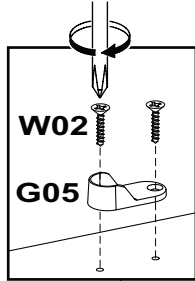
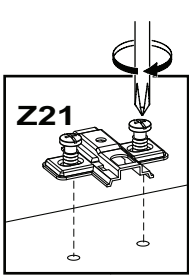
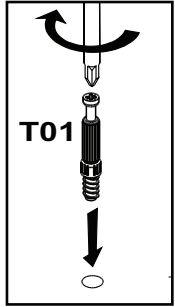
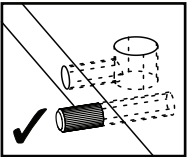
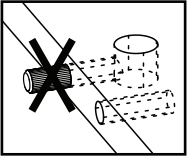
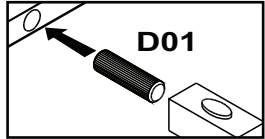


0 10 20 30 40 50 60 70 80 90 100 110 120 130 140 150 160 170 180 190 200



1

8x28		15x12			3,5x13
8x	15x	10x	6x	1x	2x
D01	T01	T2	Z21	G05	W02



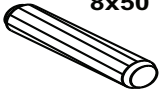

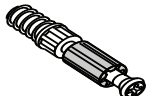
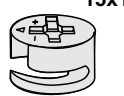
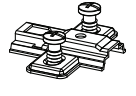
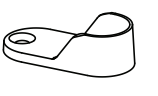
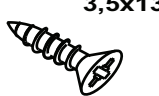
2

6



1

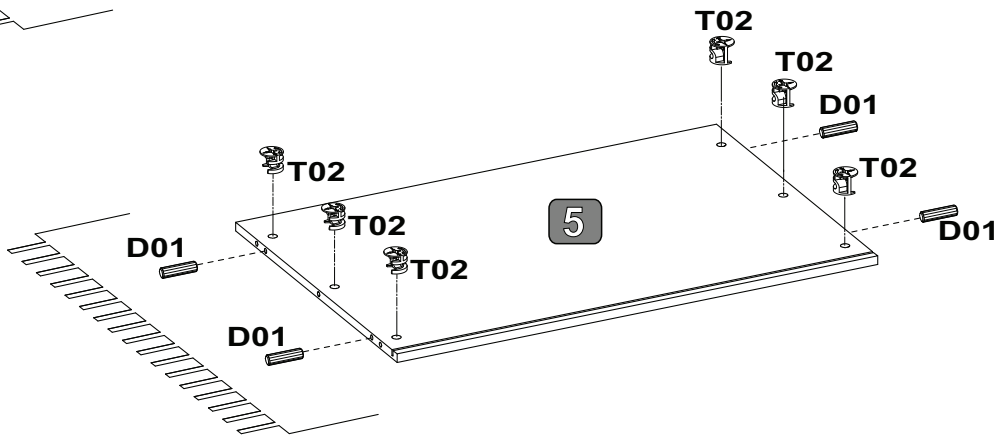
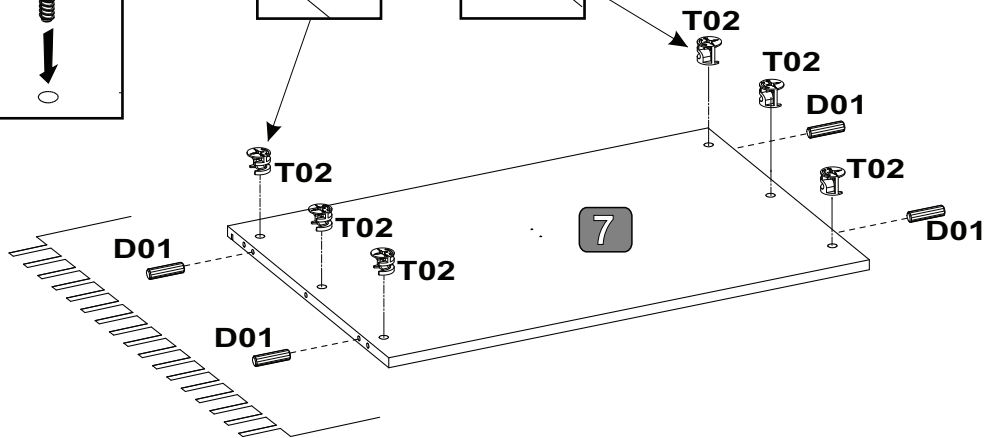
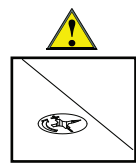
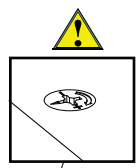
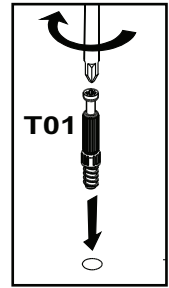
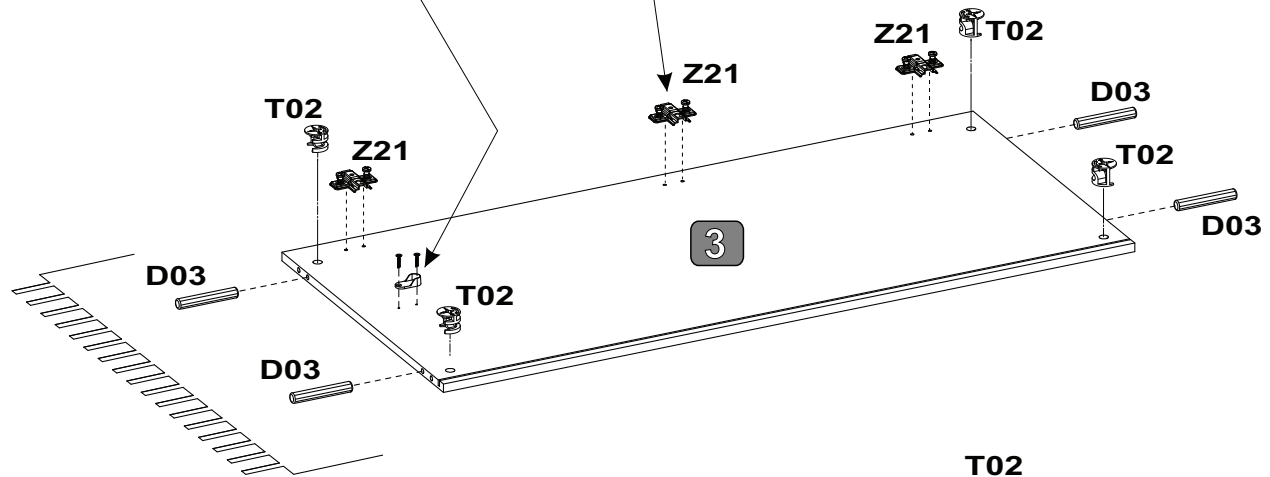
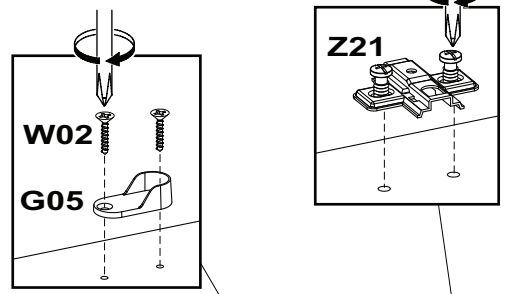
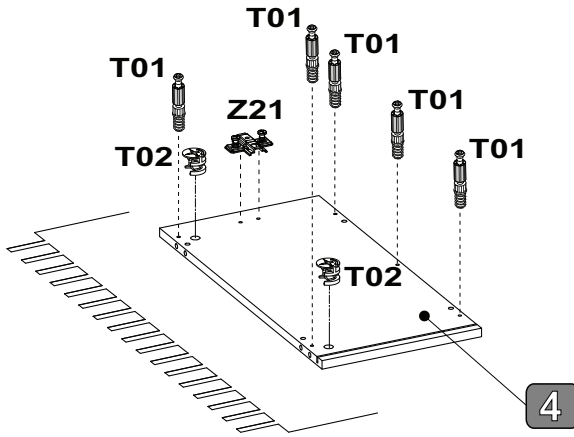
2x

2

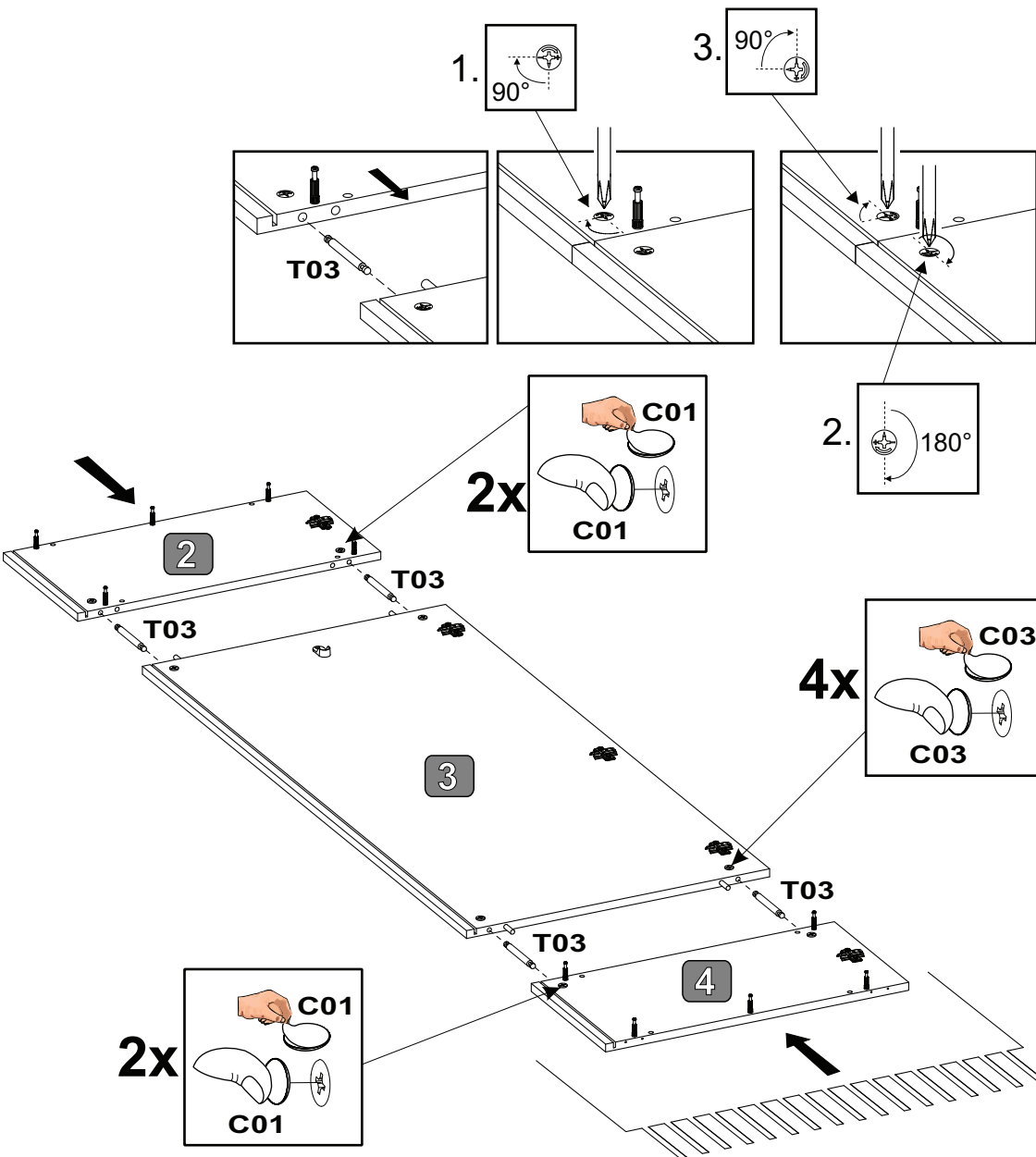
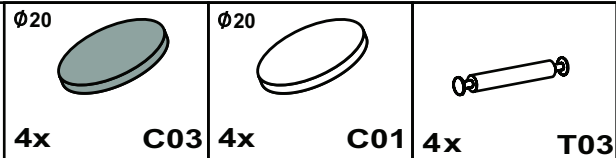
 8x50	 8x28	 T01	 15x12	 Z21	 G05	 3,5x13
4x D03	8x D01	5x T01	18x T02	4x Z21	1x G05	2x W02



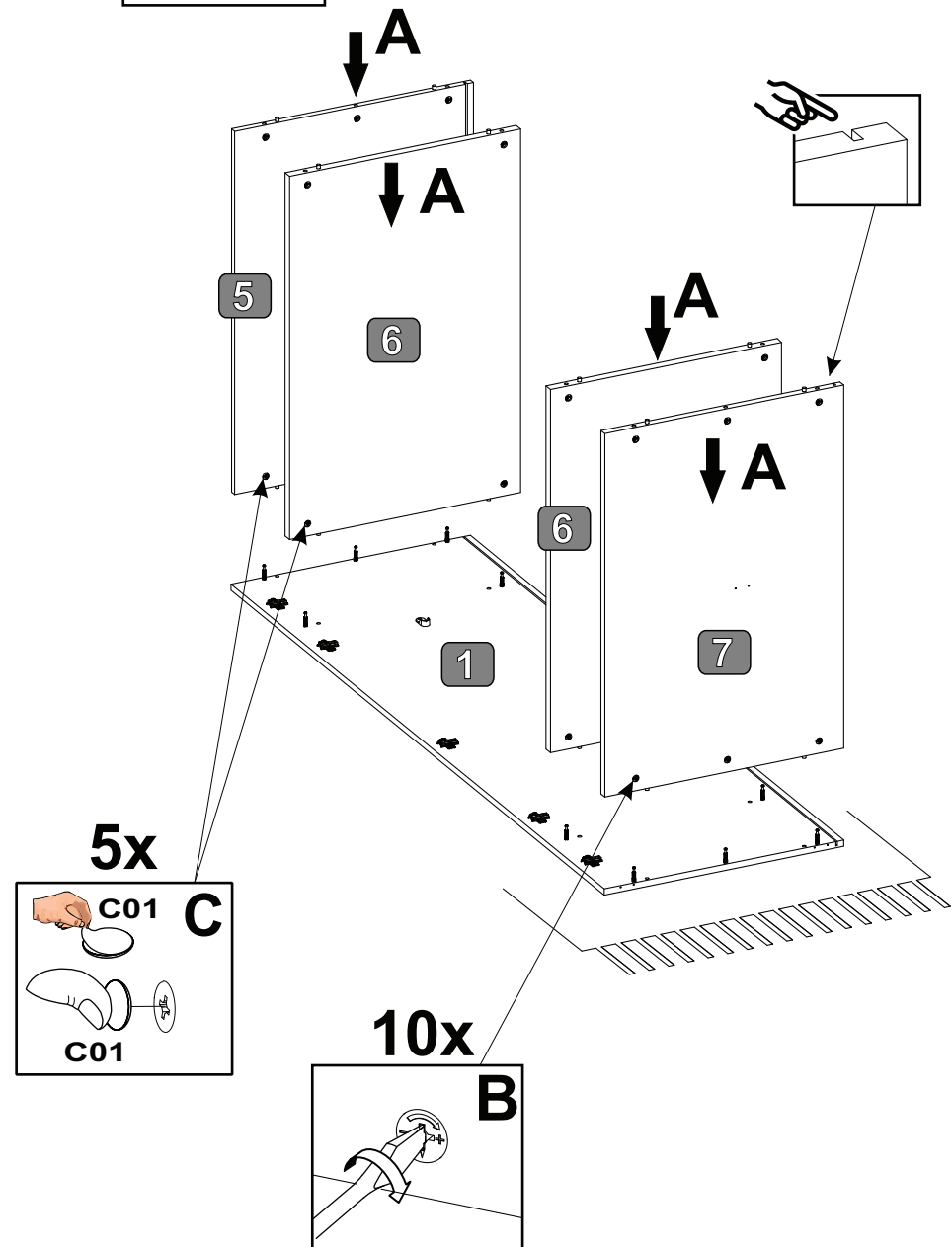
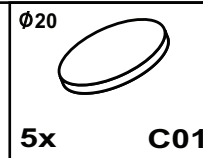
 8x28	 8x50
16x D01	8x D03



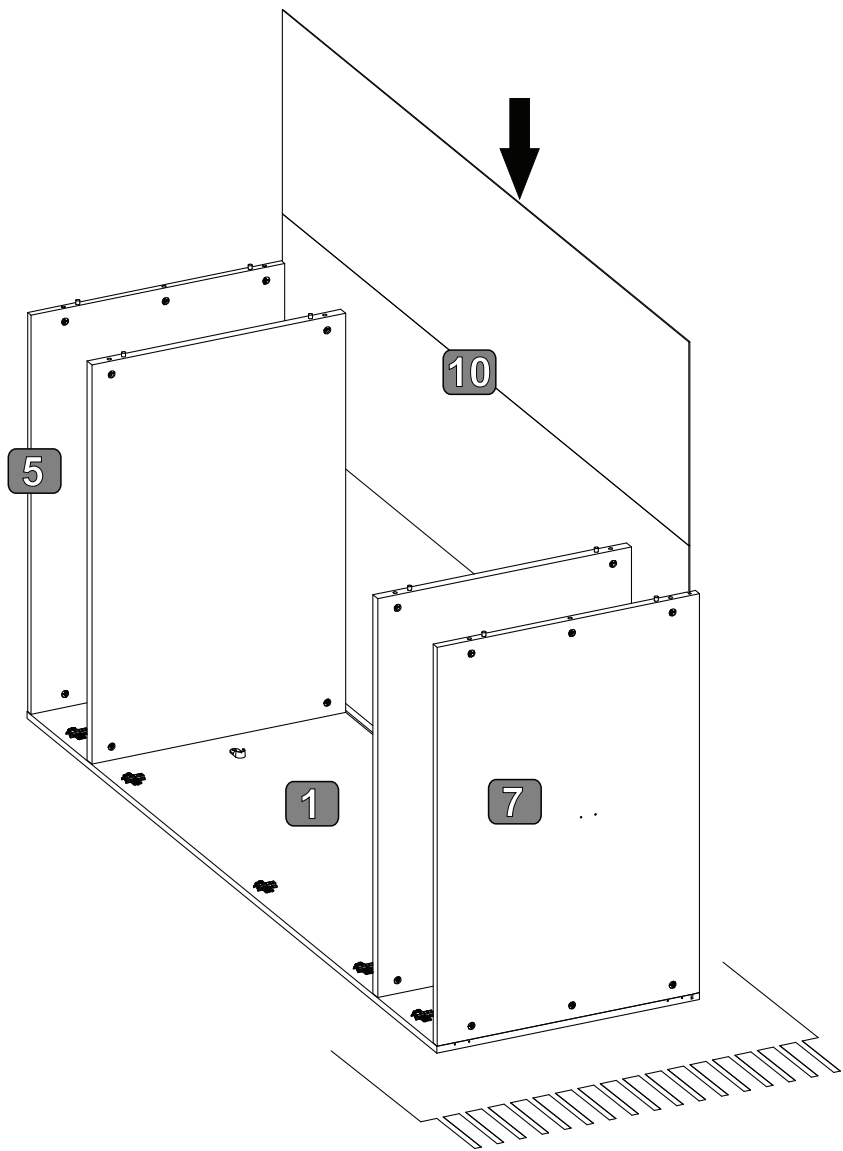
3



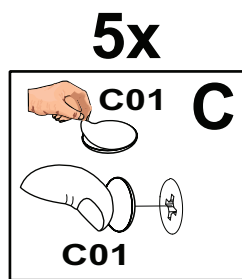
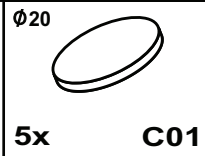
4



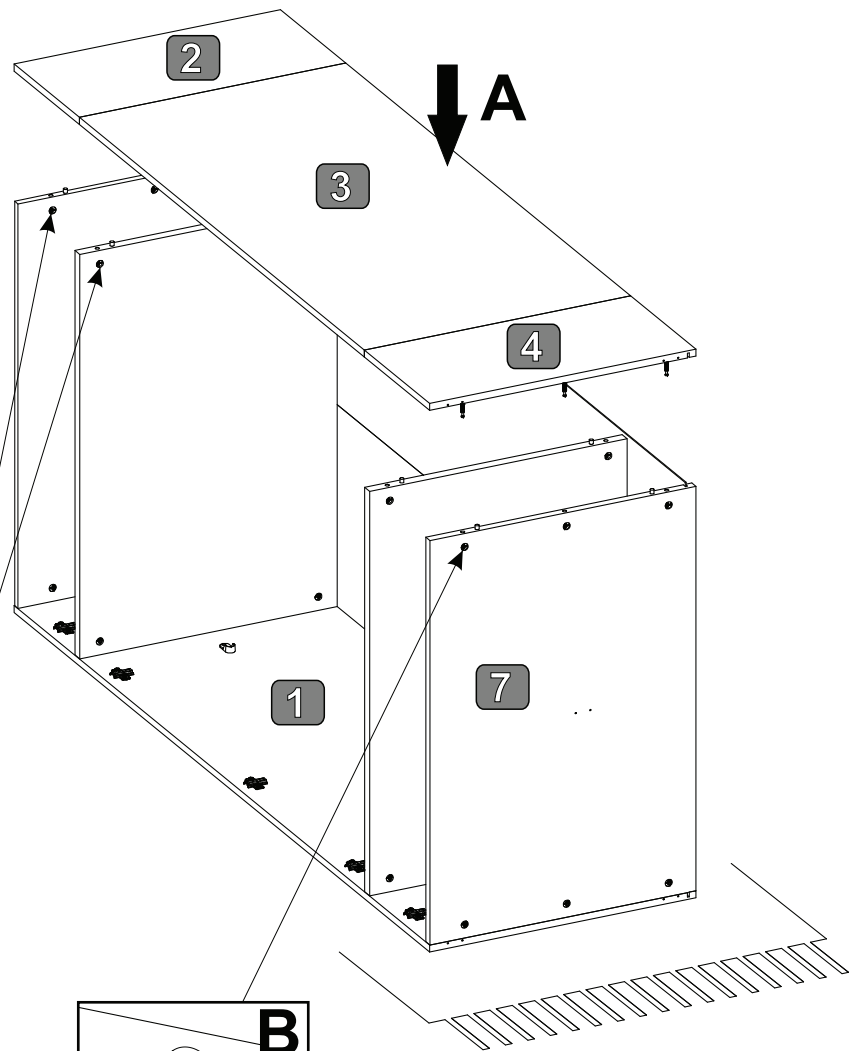
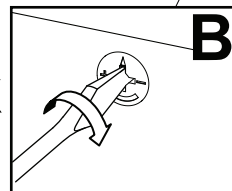
5






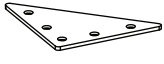
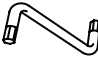

6

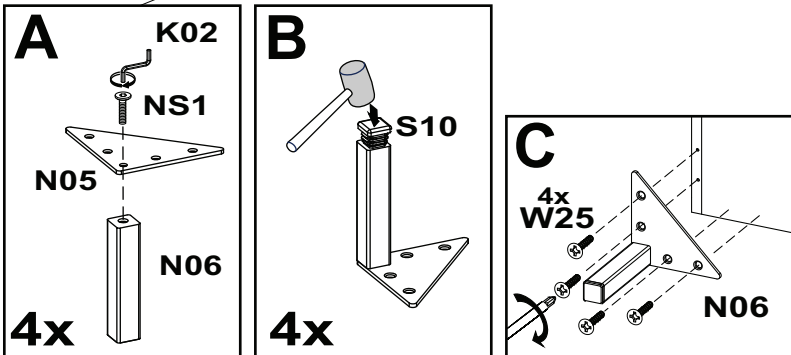
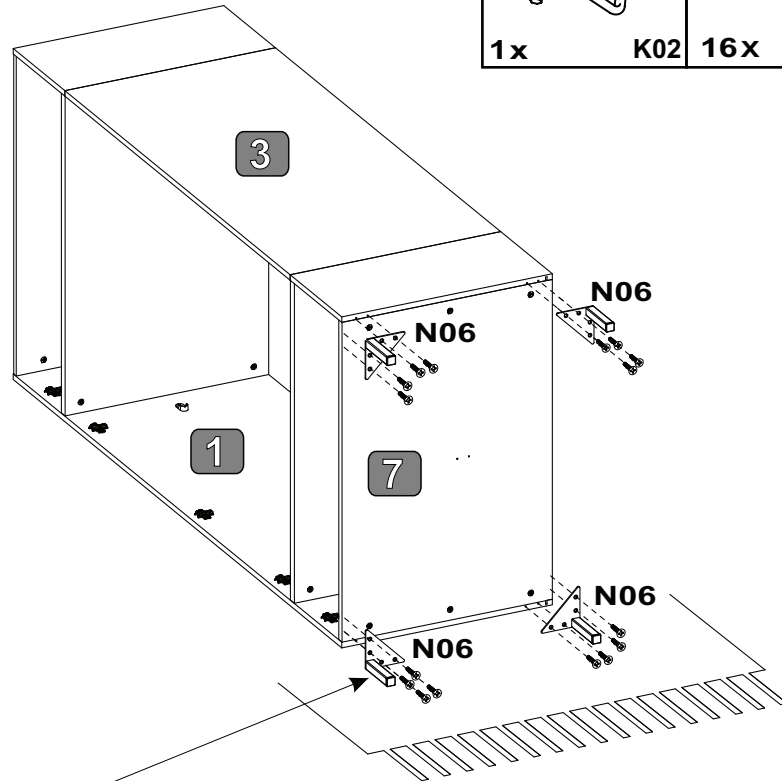


10x




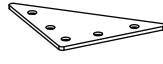
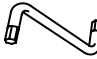



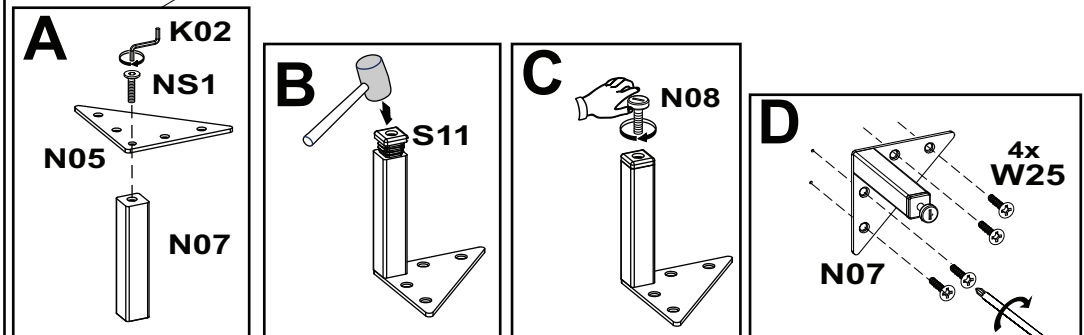
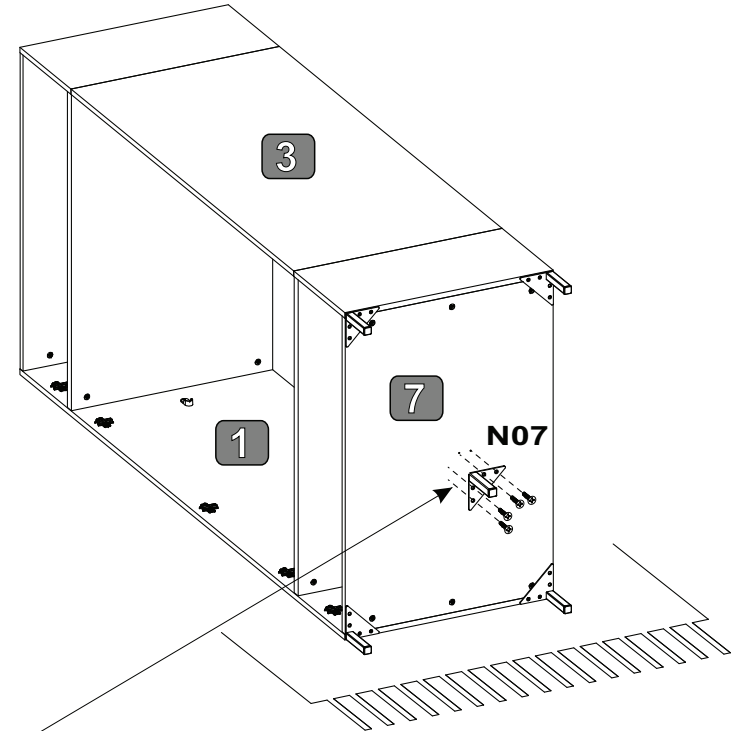
7

4x  N06	4x  S10	4x  NS1	4x  N05
		1x  K02	16x  W25



8

1x  N07	1x  S11	1x  NS1	1x  N05
		1x  K02	4x  W25

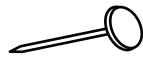


9



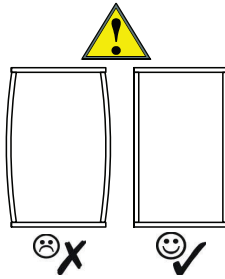
20x

R01

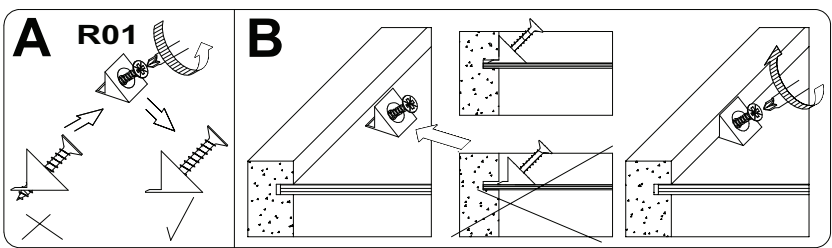
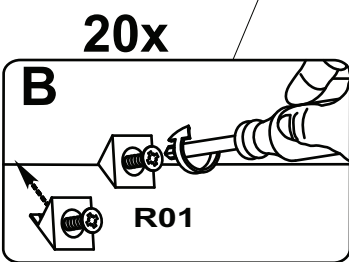
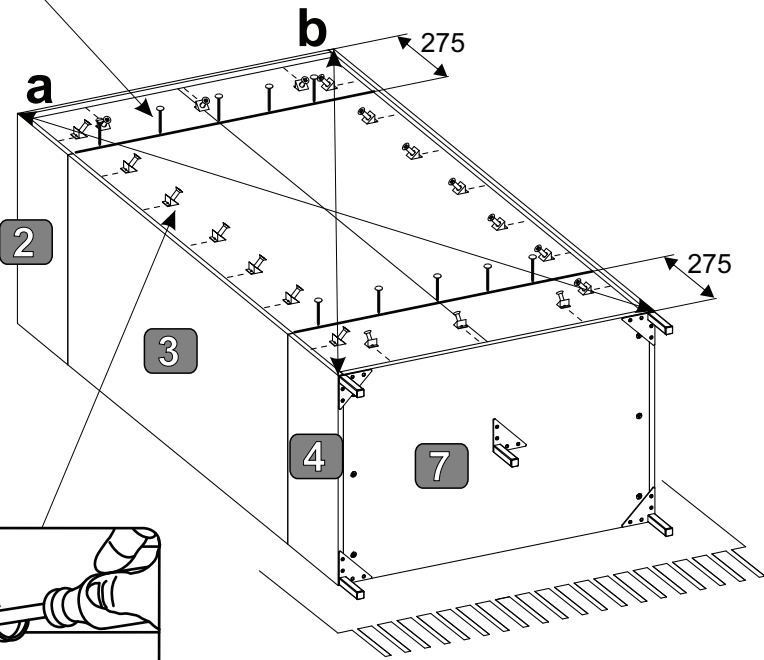
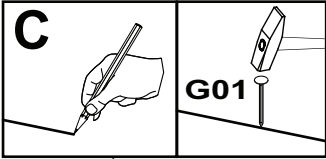


10x

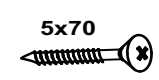
G01



a=b



10



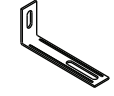
1x

F11



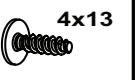
1x

F01



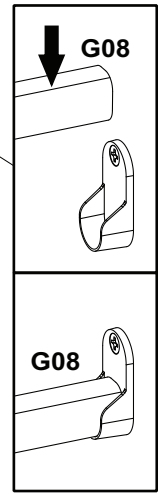
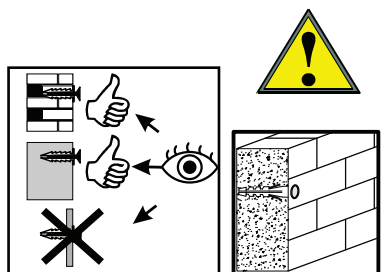
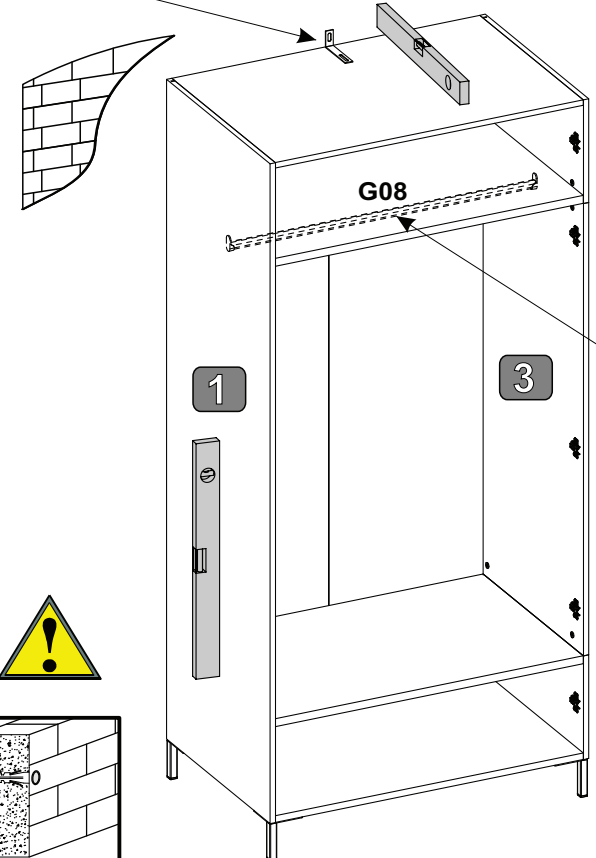
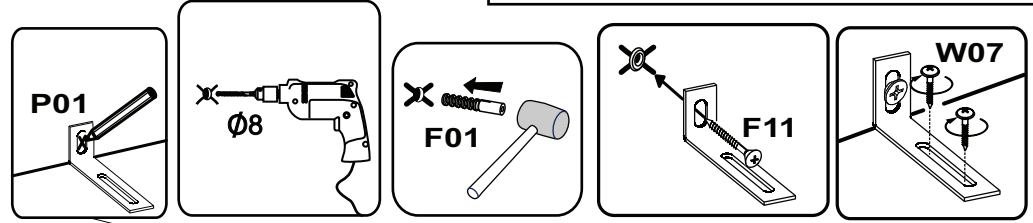
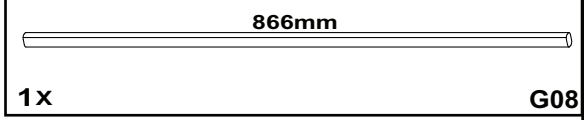
1x

P01

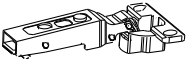
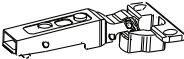
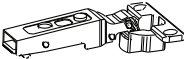

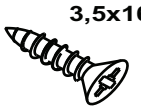


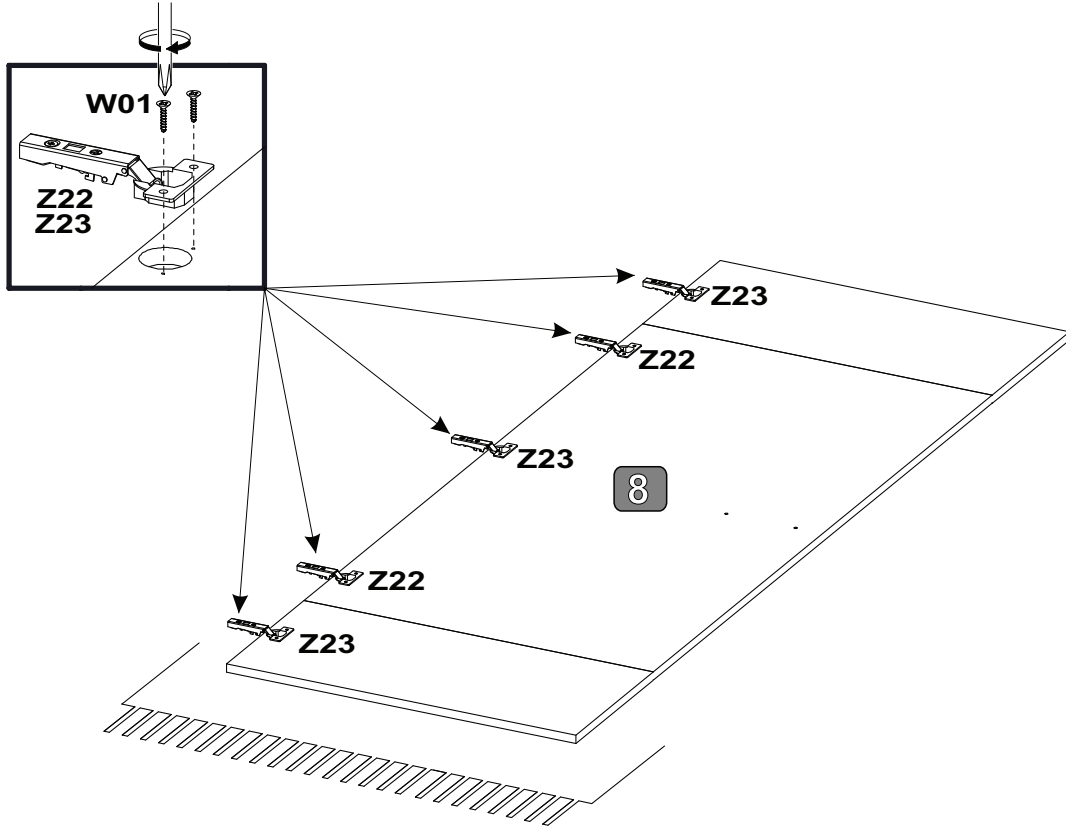
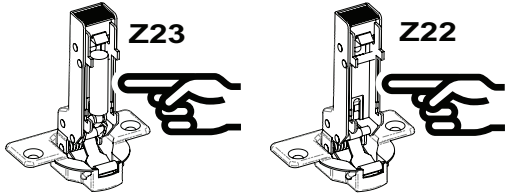
2x

W07

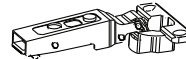
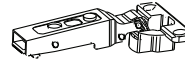
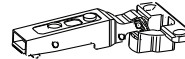

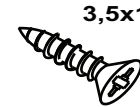


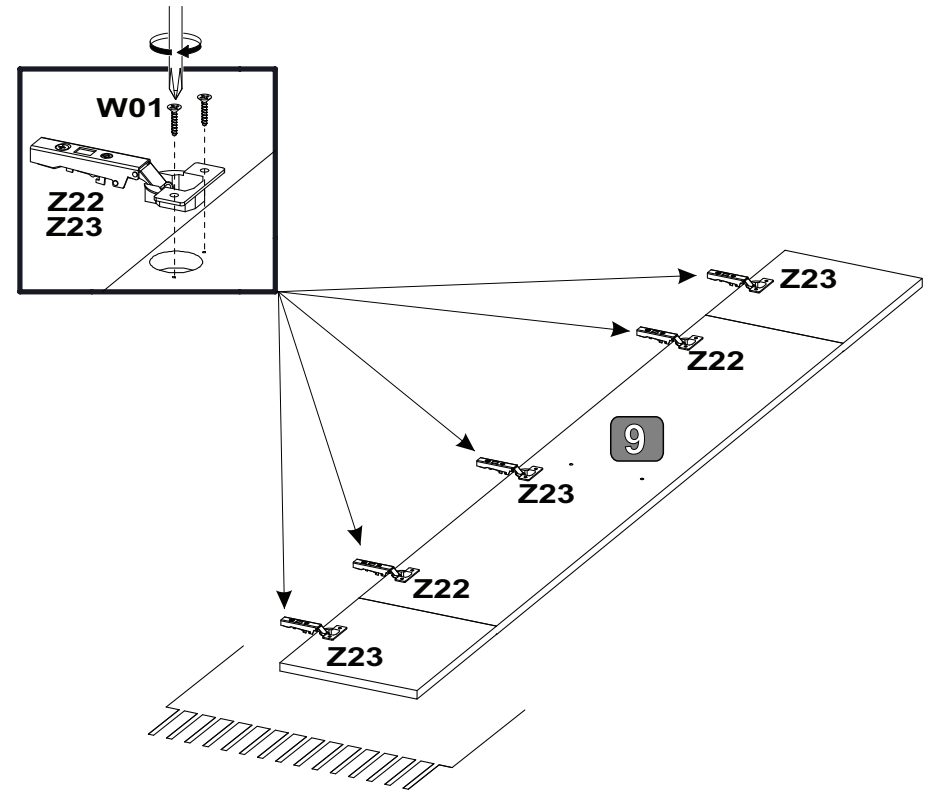
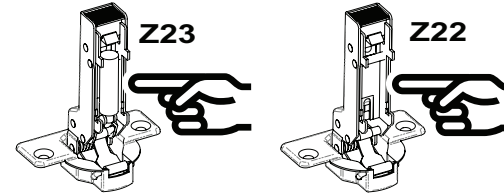
11

$\varnothing 35$	KR-0	$\varnothing 35$	KR-0	3,5x16
				
2x	Z22	3x	Z23	10x W01



12

$\varnothing 35$	KR-0	$\varnothing 35$	KR-0	3,5x16
				
2x	Z22	3x	Z23	10x W01



13

