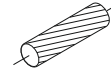
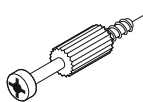
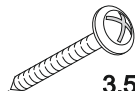
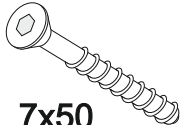


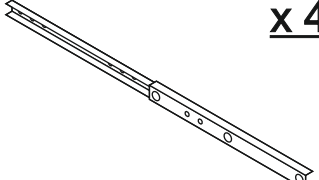
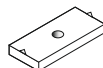


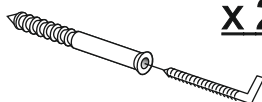
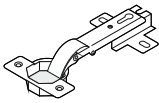

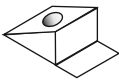


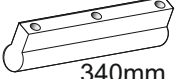



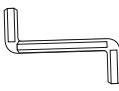

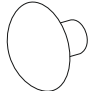
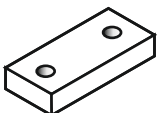



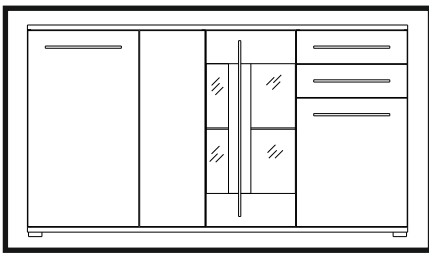


1	 8x35	<u>x 16</u>
2		<u>x 12</u>
4	 3.5x30	<u>x 12</u>
22	 7x50	<u>x 16</u>
6	 5x11	<u>x 36</u>
4A	 4x16	<u>x 10</u>
23		<u>x 4</u>
35		<u>x 10</u>
36		<u>x 8</u>

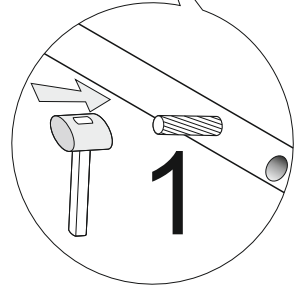
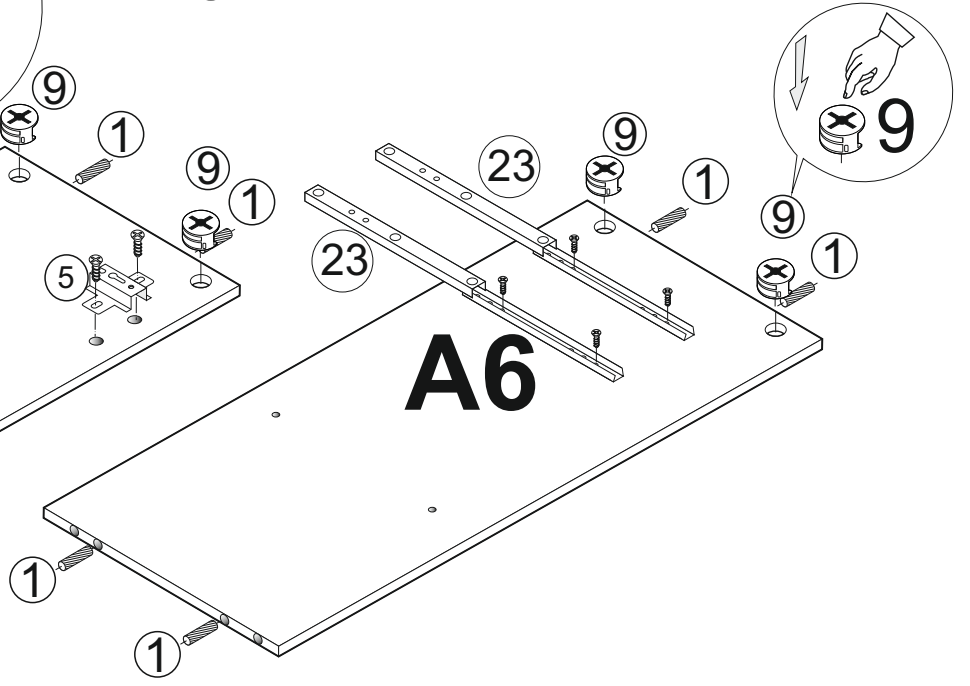
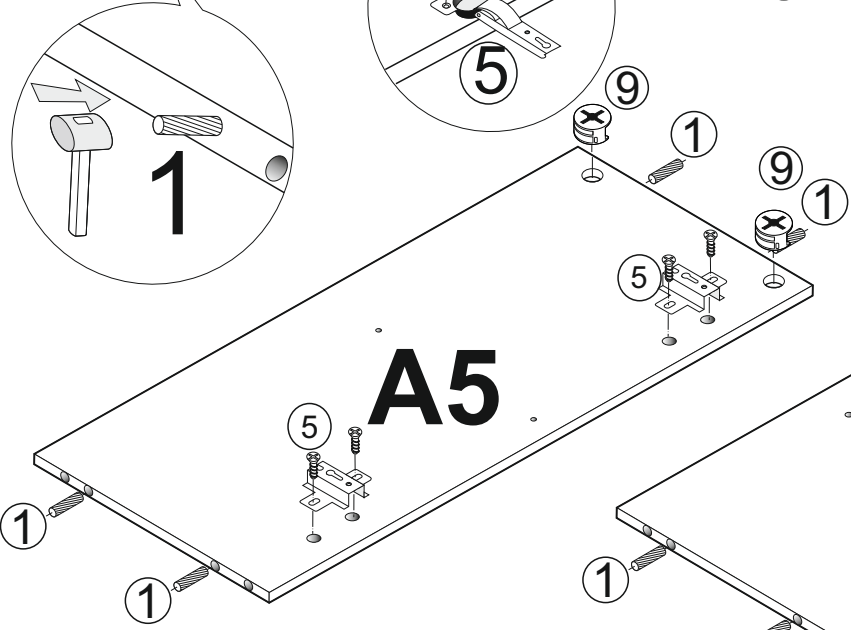
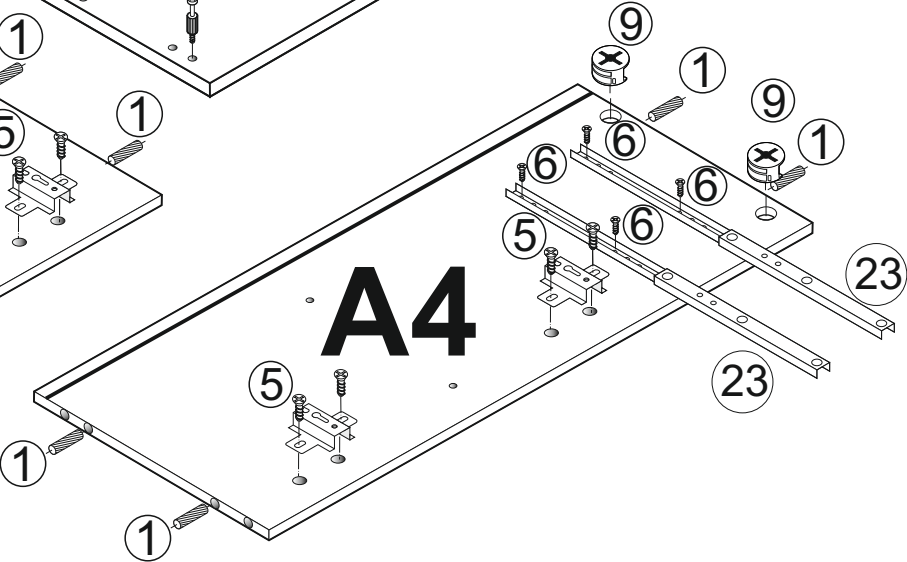
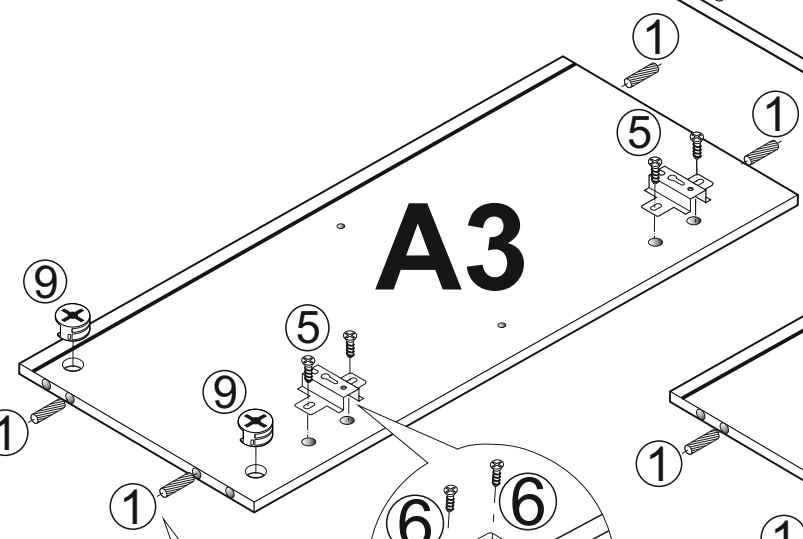
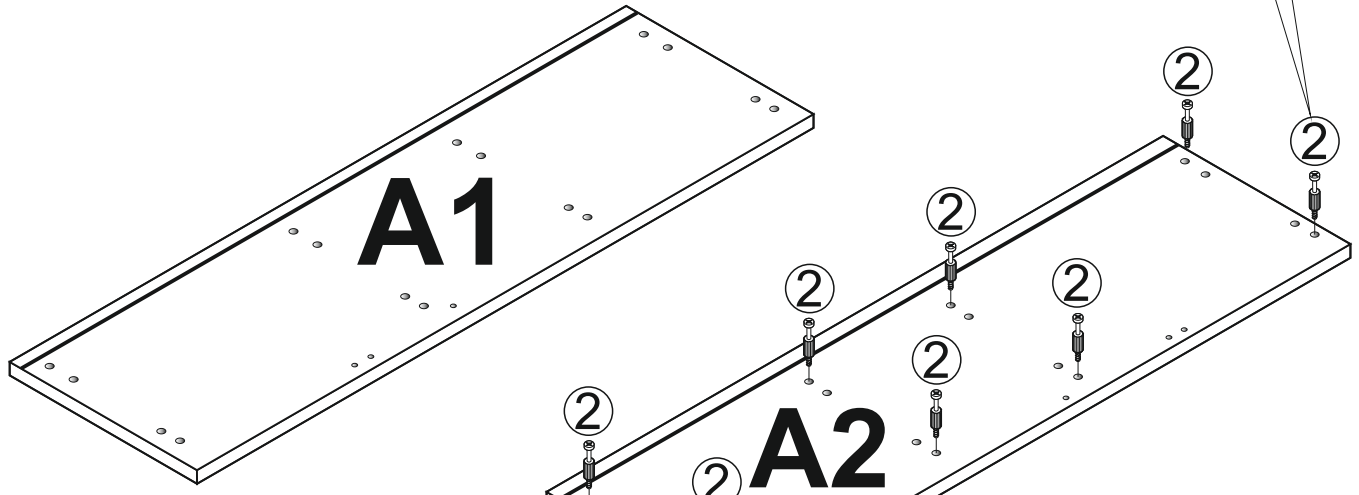
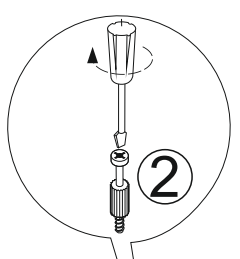
41		<u>x 2</u>
80		<u>x 2</u>
5		<u>x 6</u>
25	 M 4 X 9	<u>x 4</u>
38		<u>x 16</u>
24	 φ12mm	<u>x 4</u>
9	 φ15mm	<u>x 8</u>
3A	 340mm	<u>x 4</u>
30	LED LIGHTS	<u>x 1</u>
14		<u>x 4</u>

22A		<u>x 16</u>
13		<u>x 14</u>
26		<u>x 1</u>
39	 3x20	<u>x 36</u>
9A		<u>x 8</u>
10		<u>x 6</u>
3B	 786mm	<u>x 1</u>
4B	 3.5x35	<u>x 4</u>
29		<u>x 2</u>

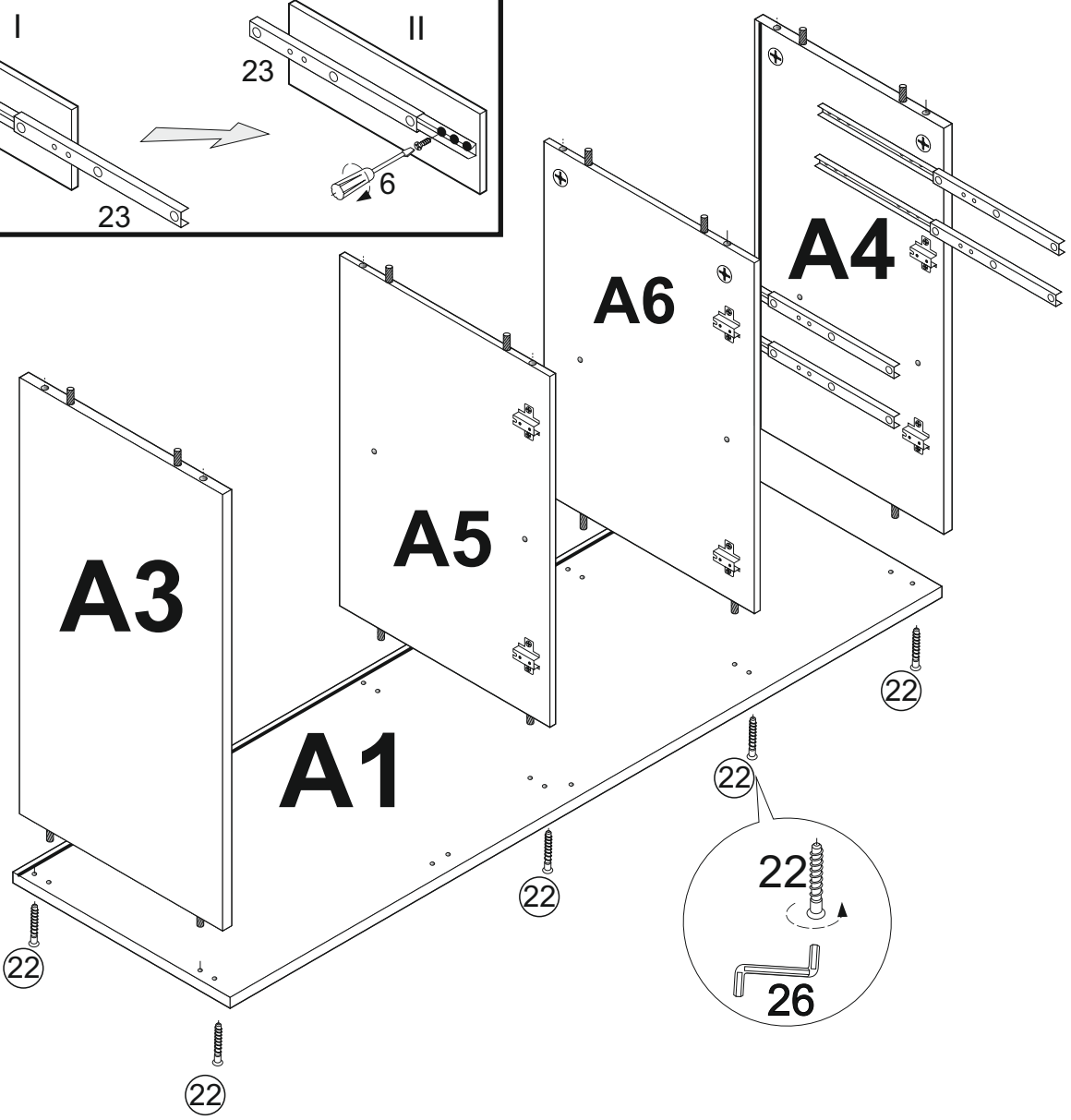
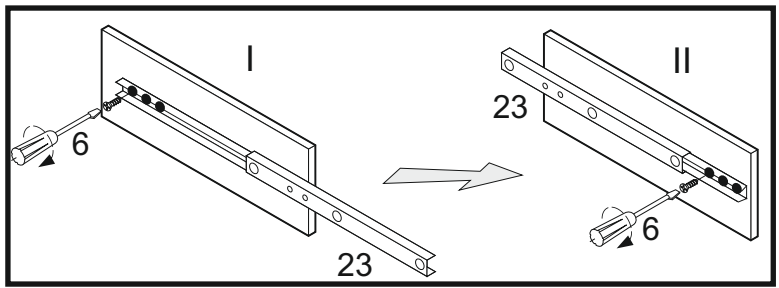
I



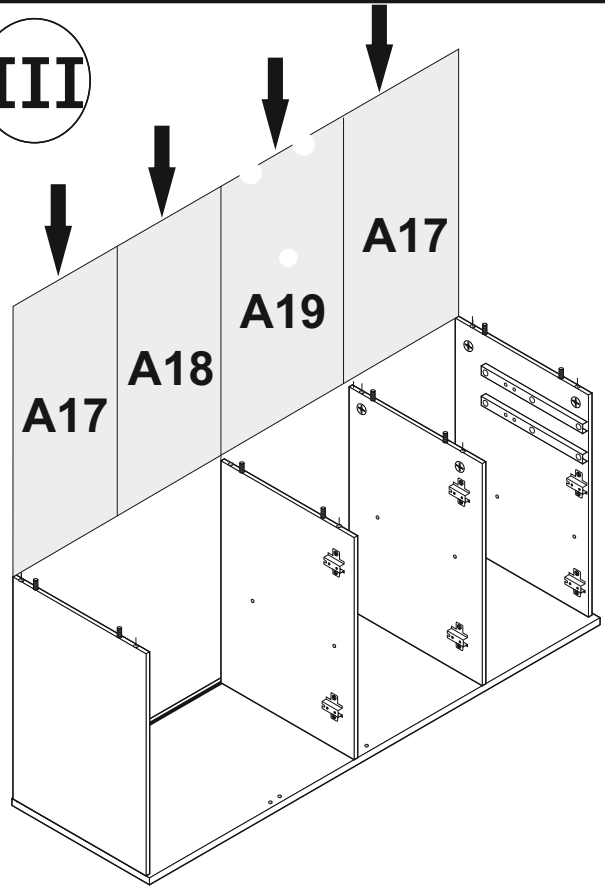
A3/A4	882mm x 380mm
A5/A6	882mm x 360mm
A1/A2	1701mm x 400mm



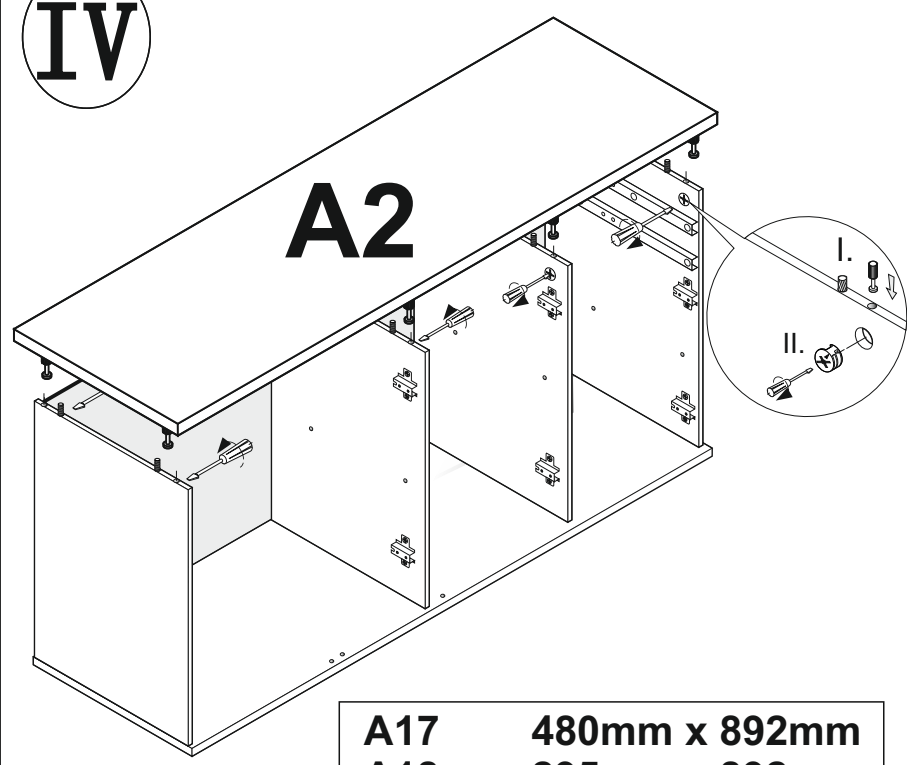
II



III

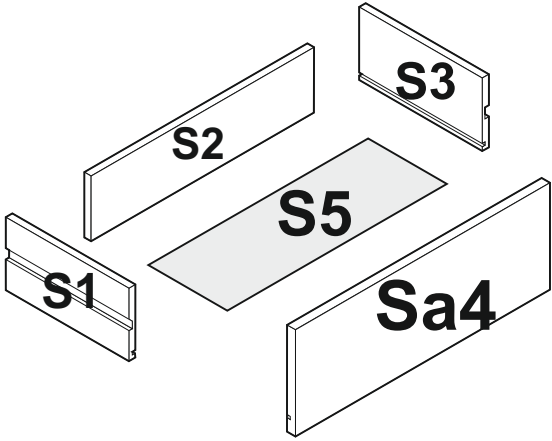
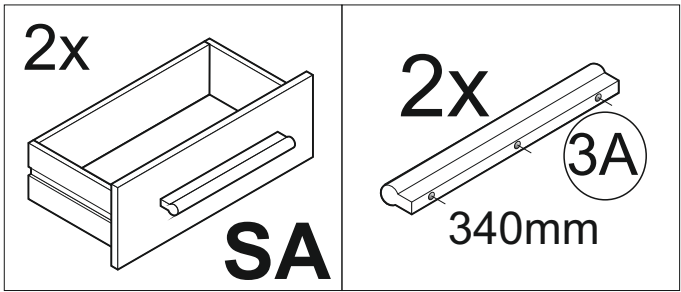


IV

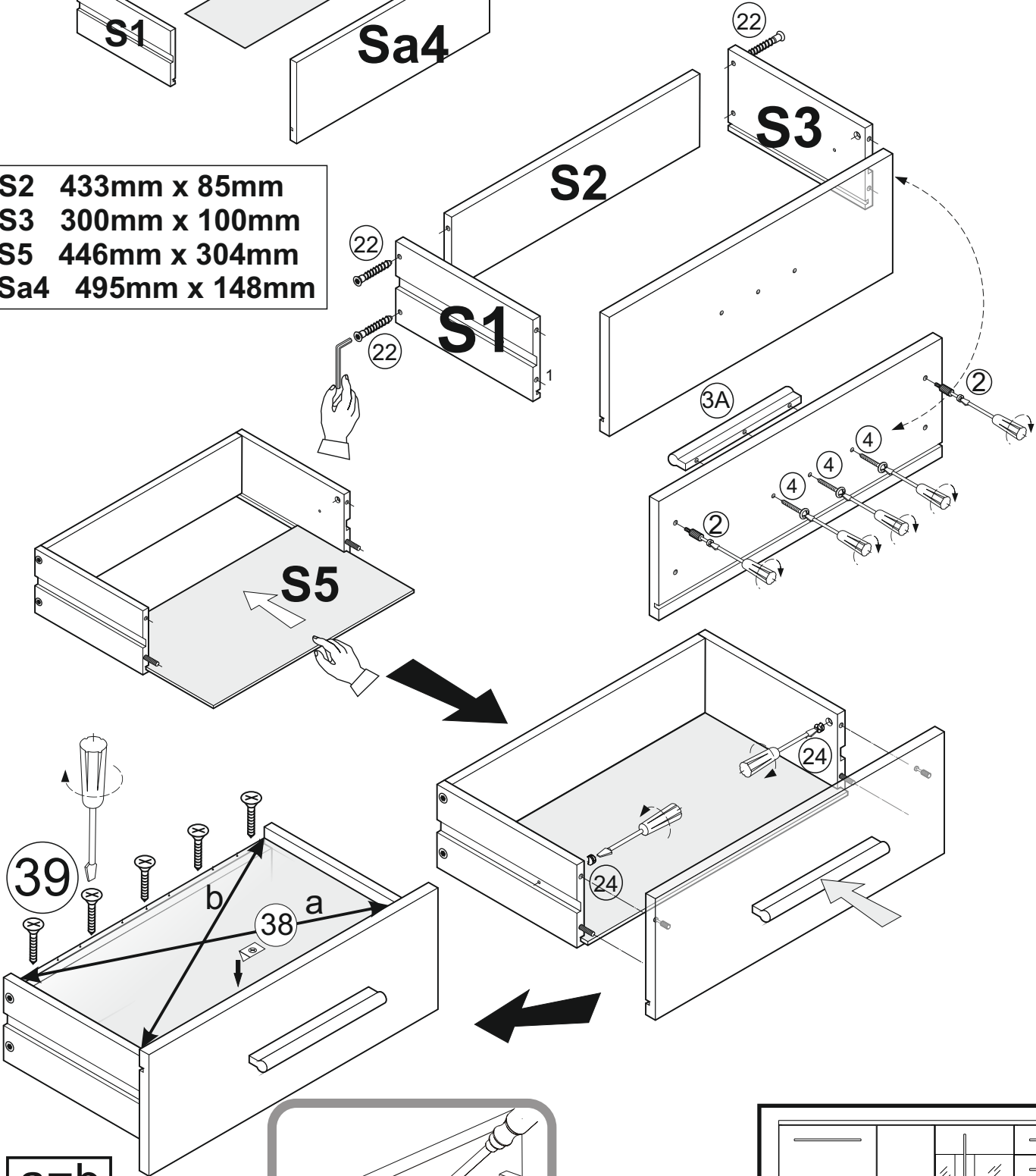


A17	480mm x 892mm
A18	295mm x 892mm
A19	422mm x 892mm

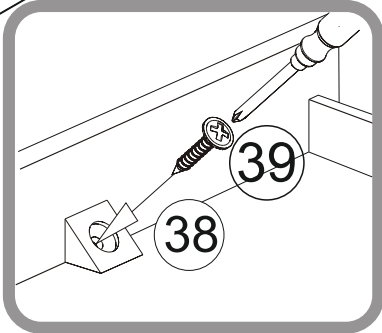
V



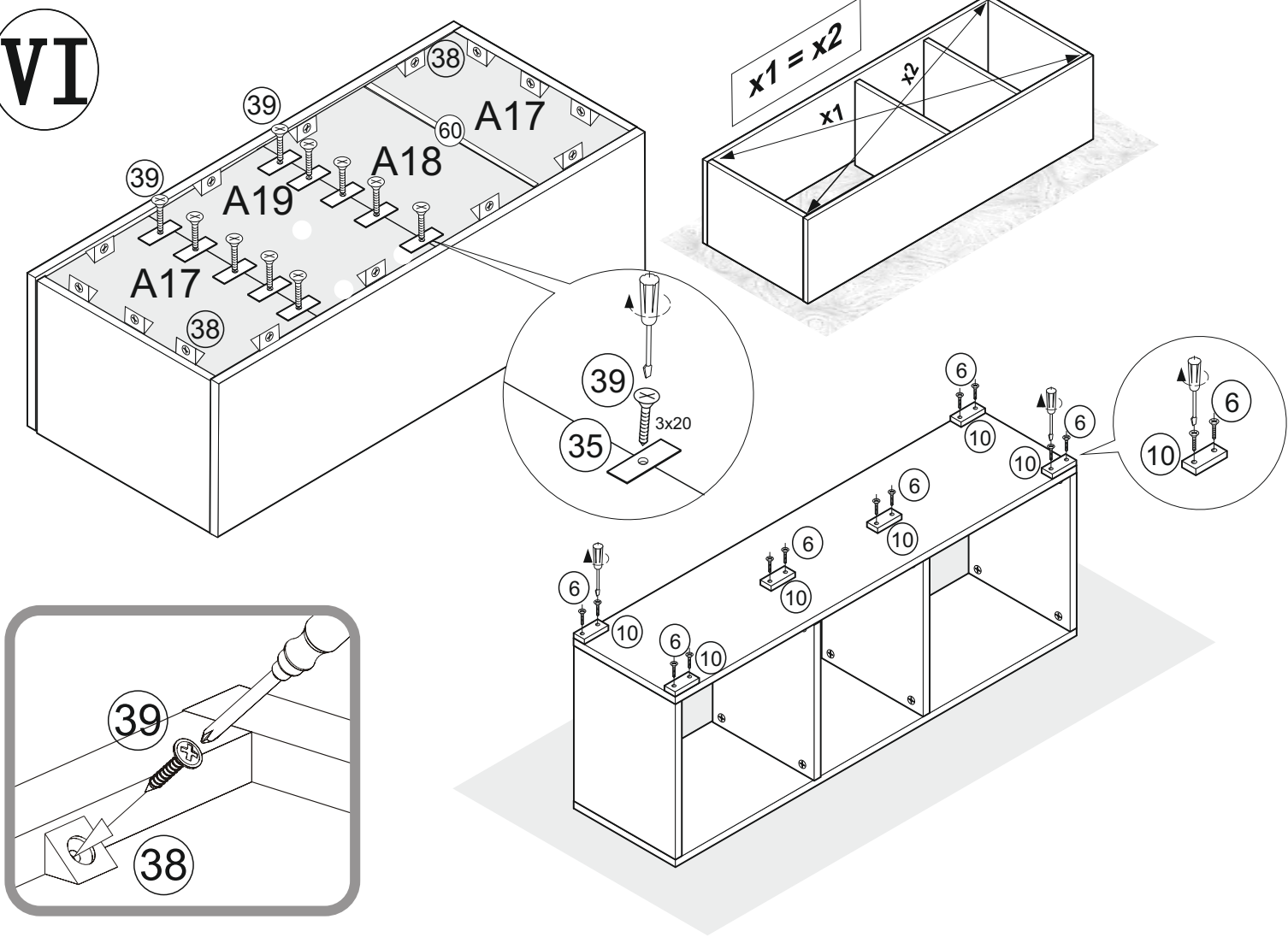
S2 433mm x 85mm
S3 300mm x 100mm
S5 446mm x 304mm
Sa4 495mm x 148mm



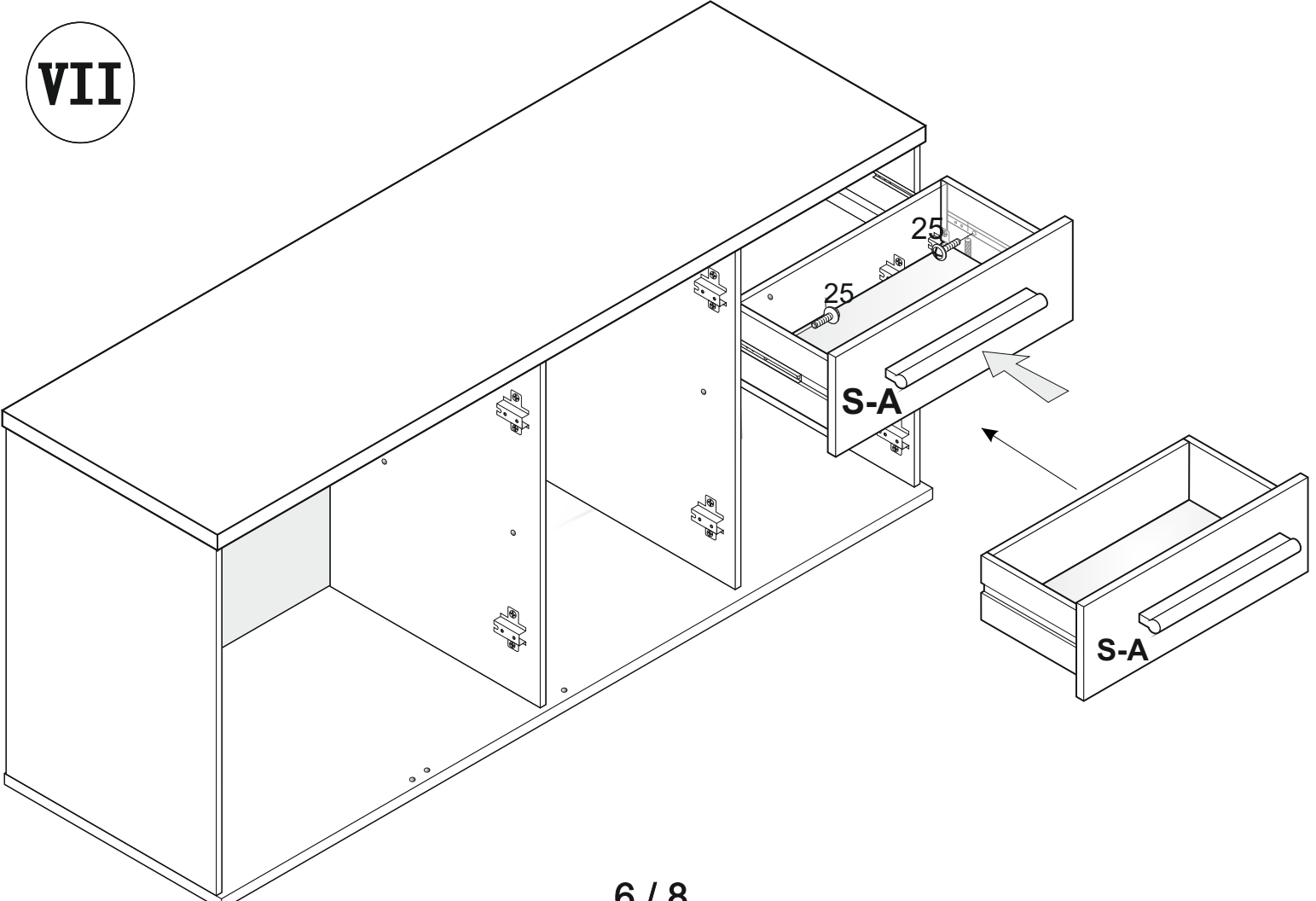
a=b



VI

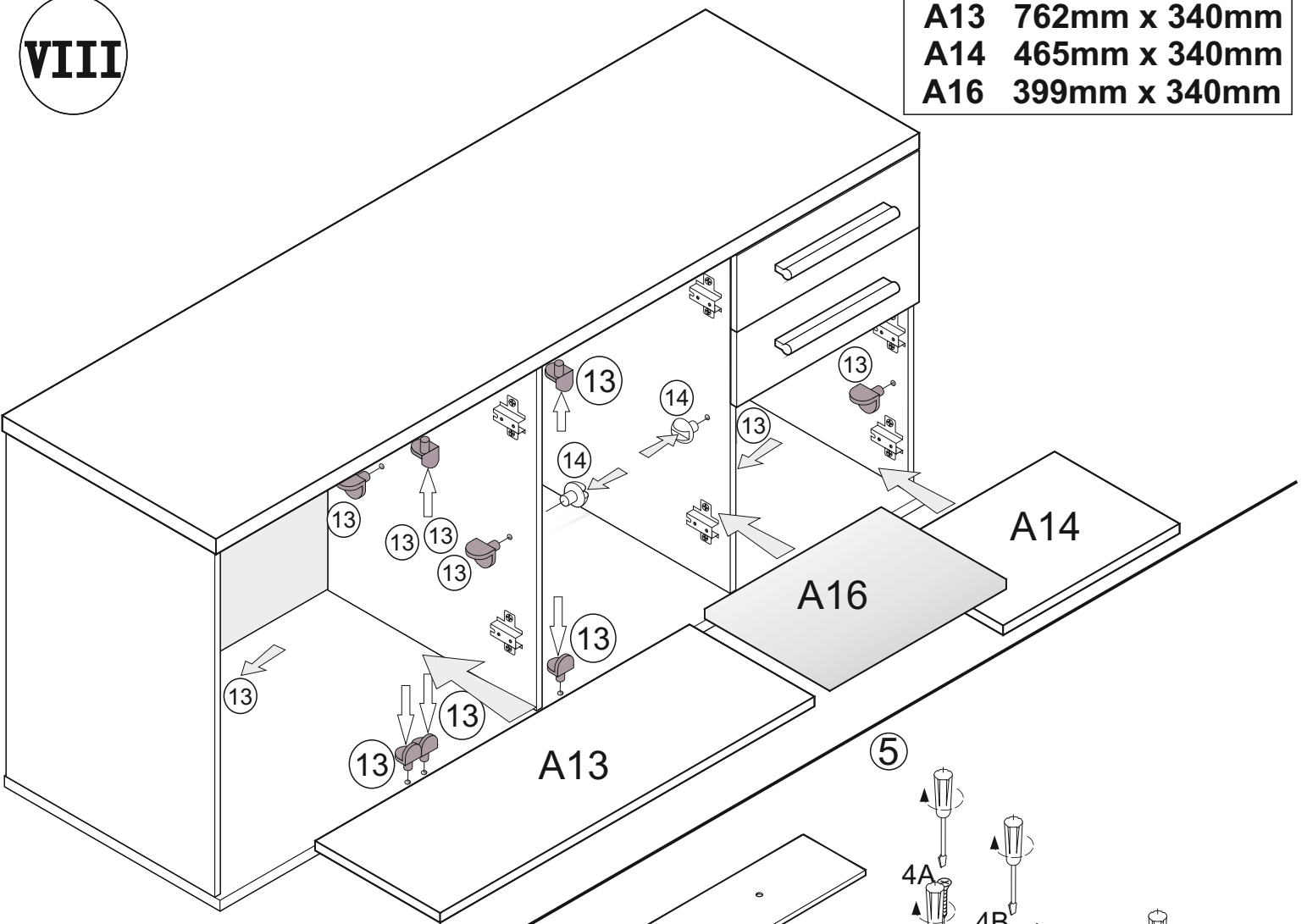


VII

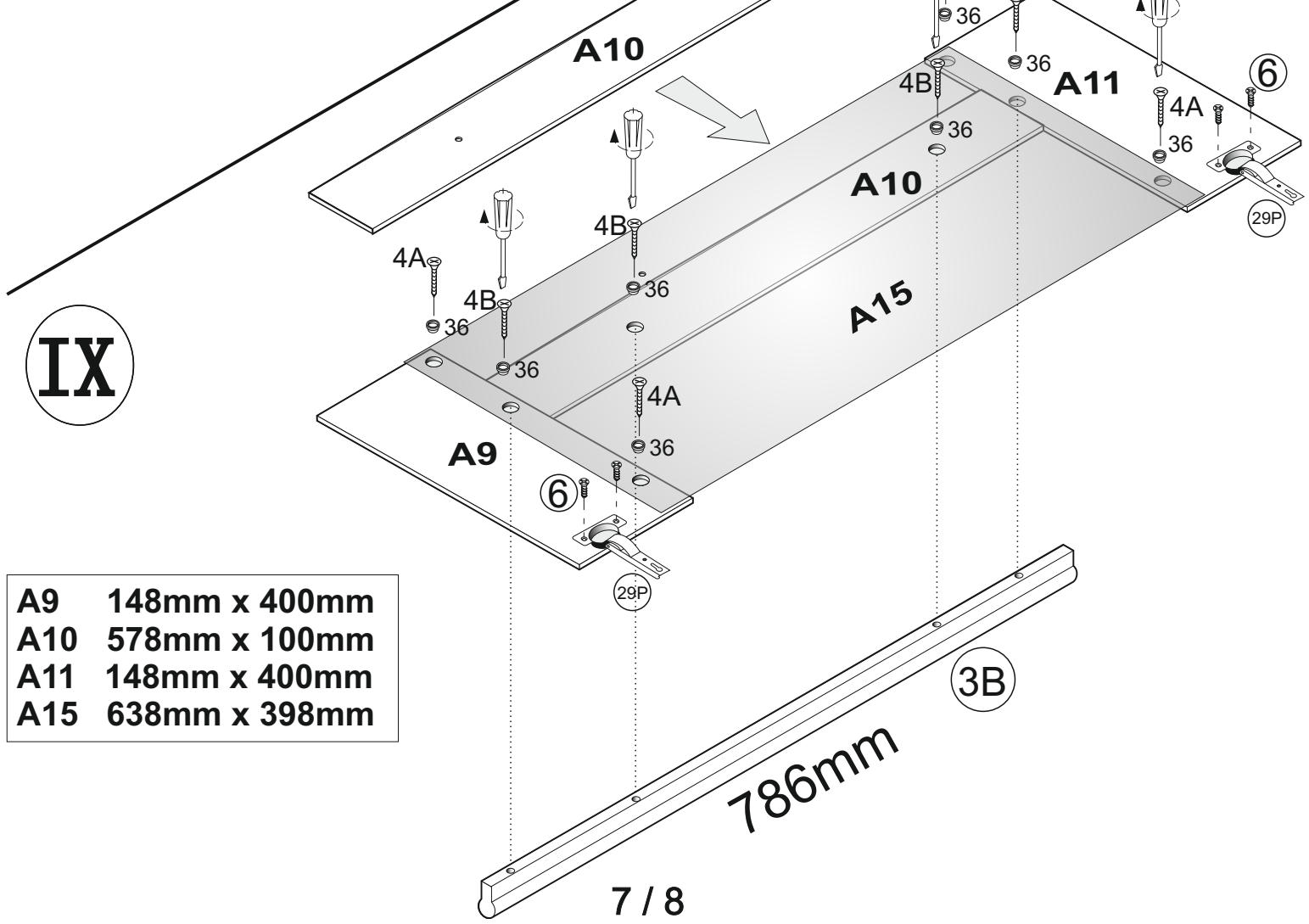


VIII

- A13** 762mm x 340mm
- A14** 465mm x 340mm
- A16** 399mm x 340mm

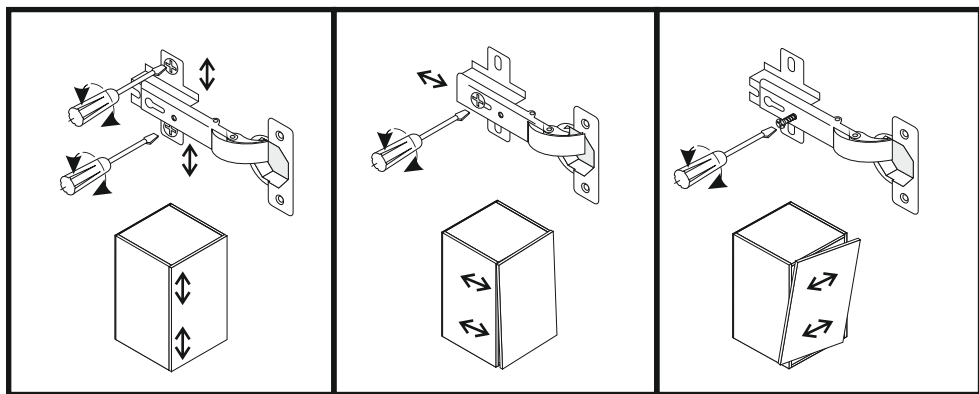
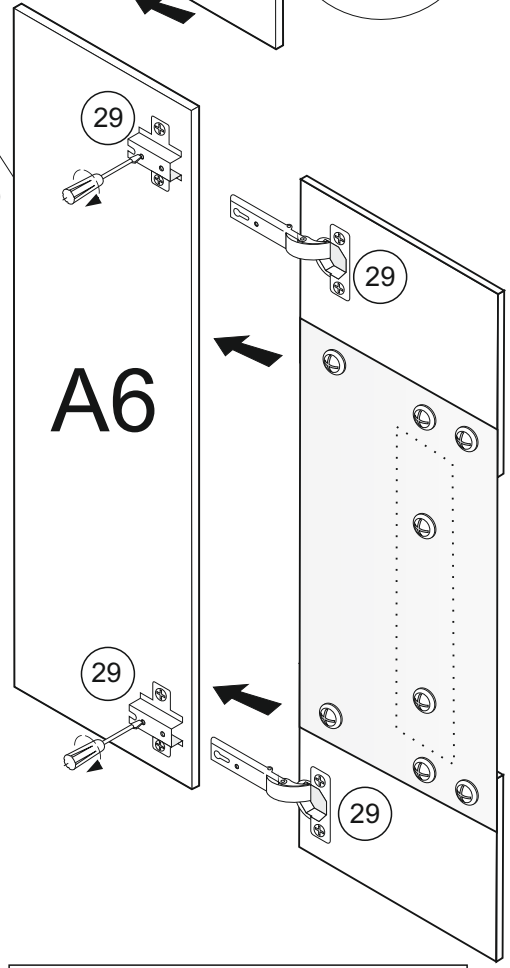
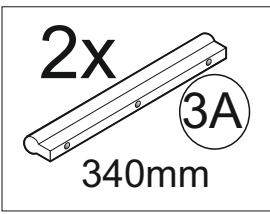
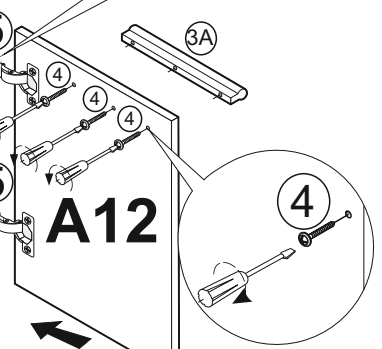
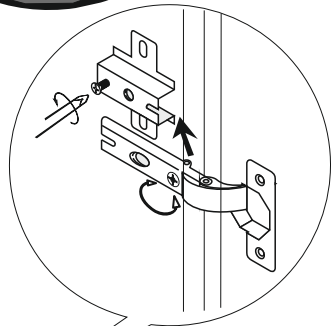
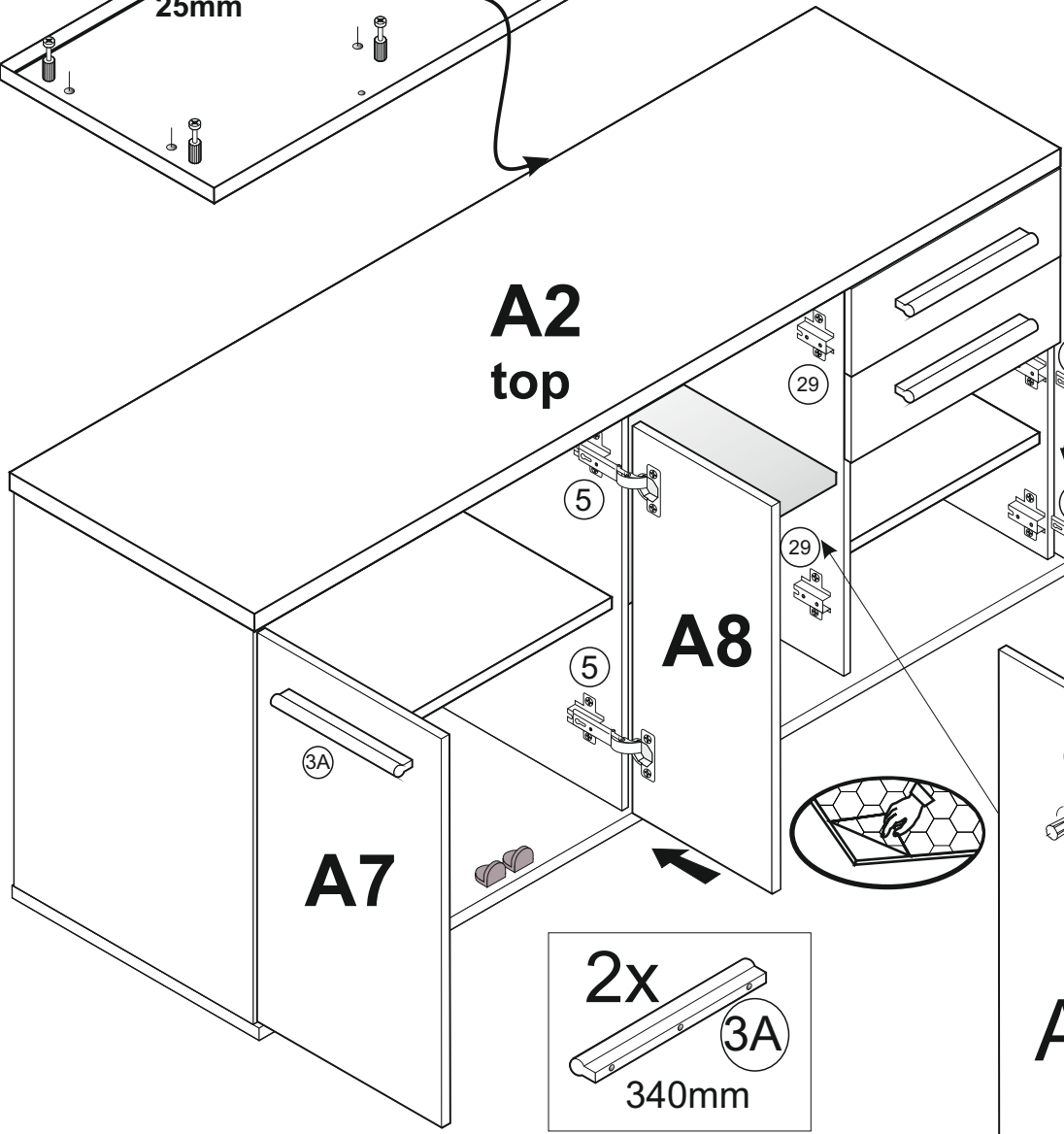
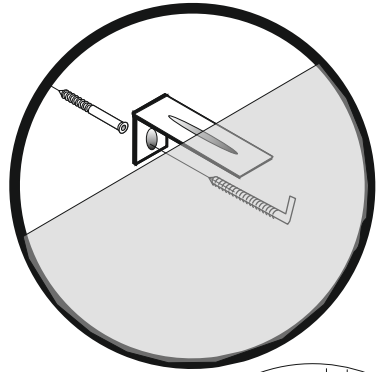
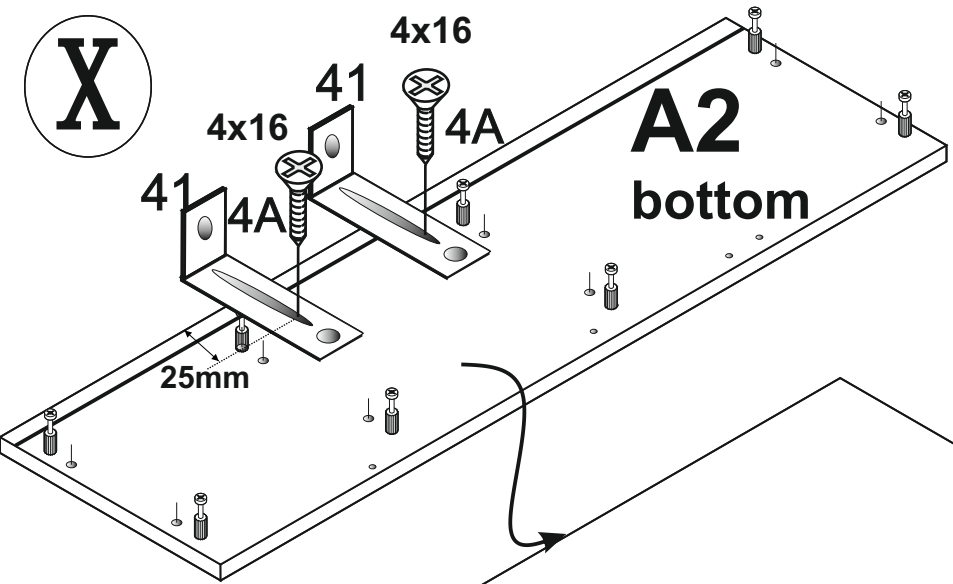


IX



- A9** 148mm x 400mm
- A10** 578mm x 100mm
- A11** 148mm x 400mm
- A15** 638mm x 398mm

X



A7	876mm x 496mm
A8	876mm x 292mm
A12	574mm x 496mm