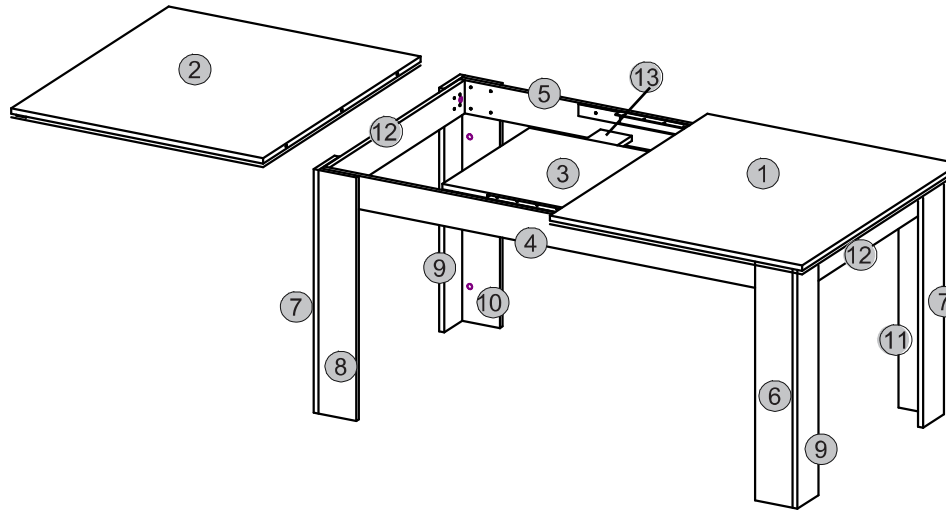
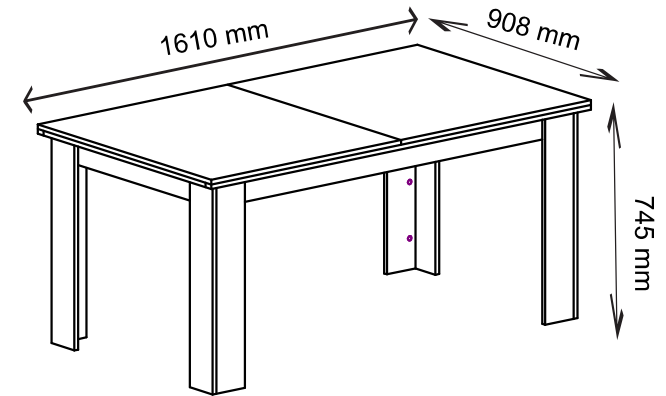
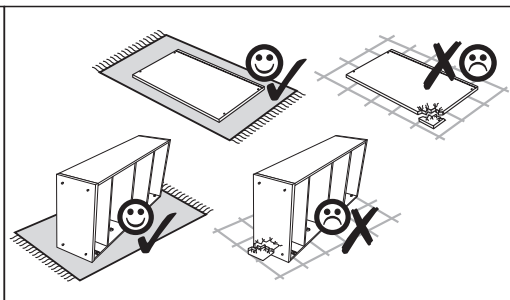
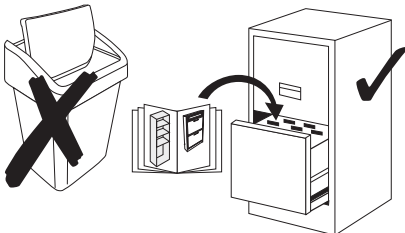
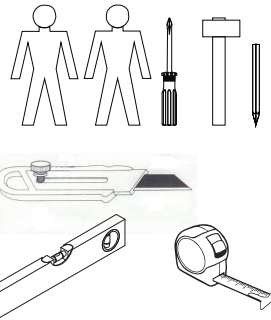
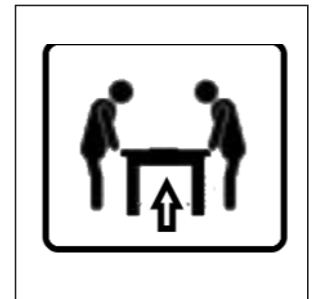
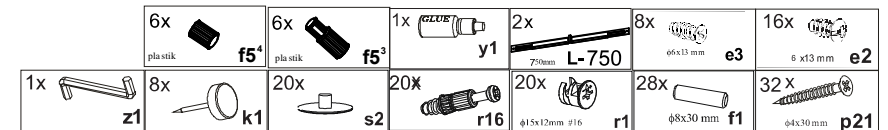
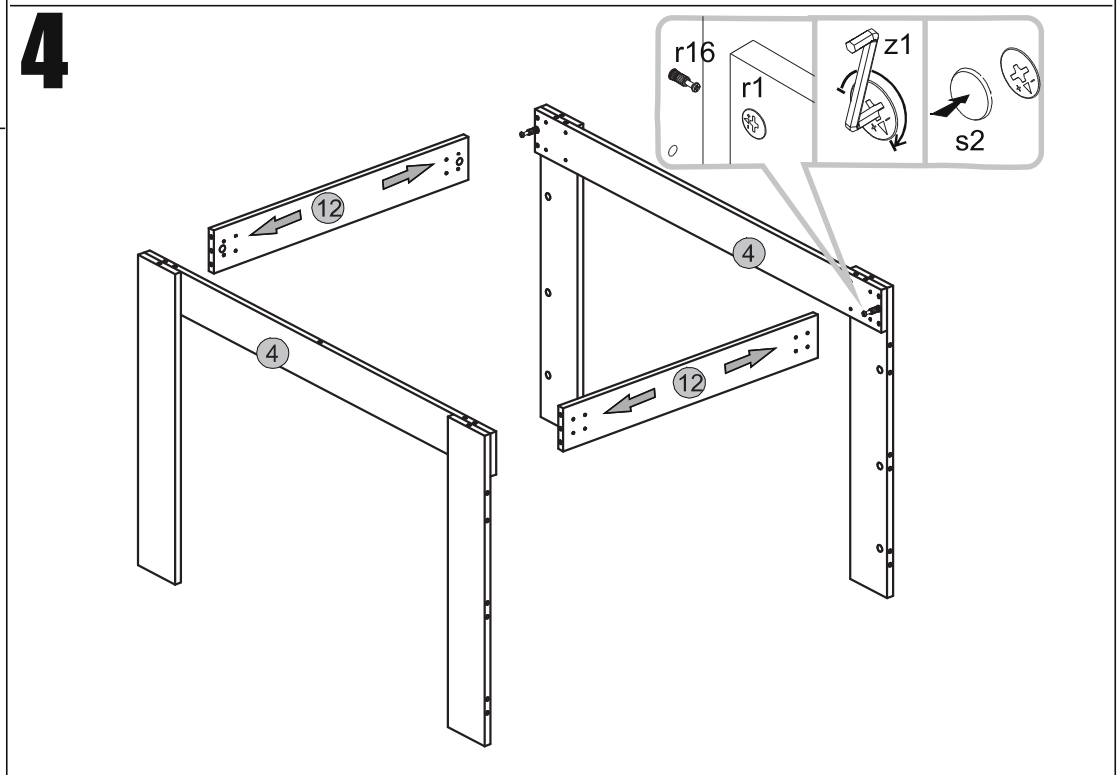
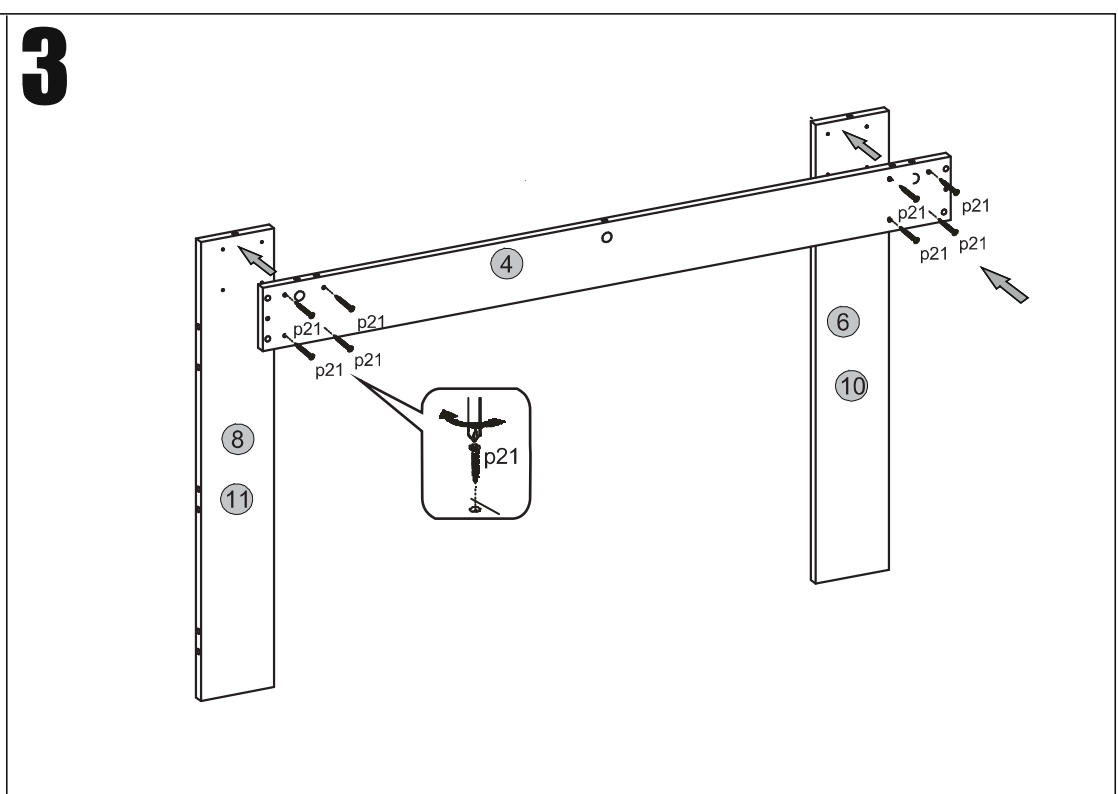
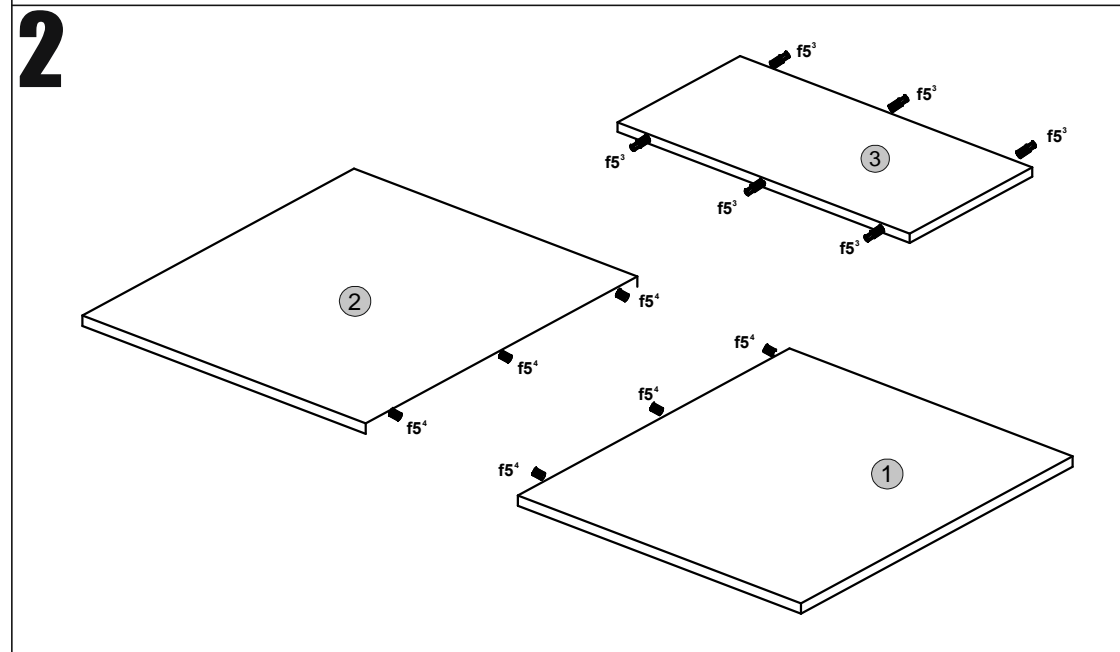
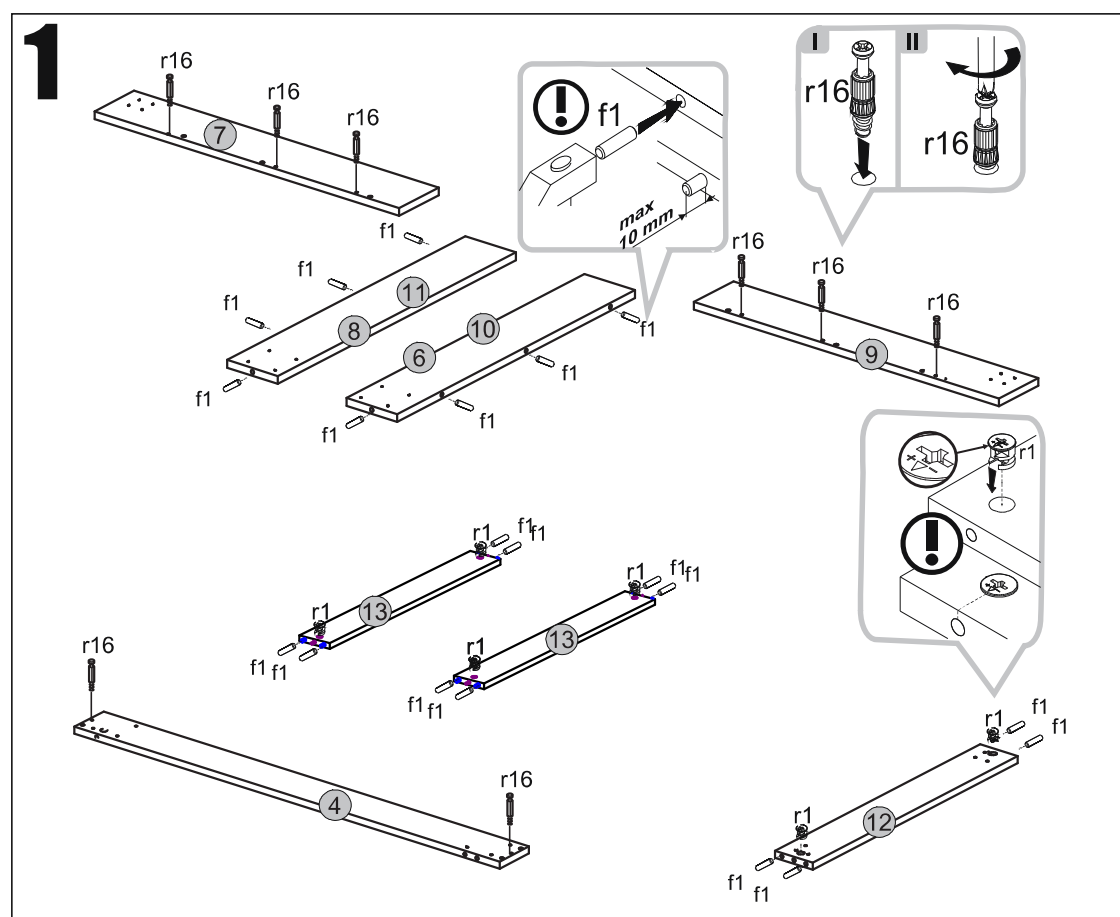


Instalation manual

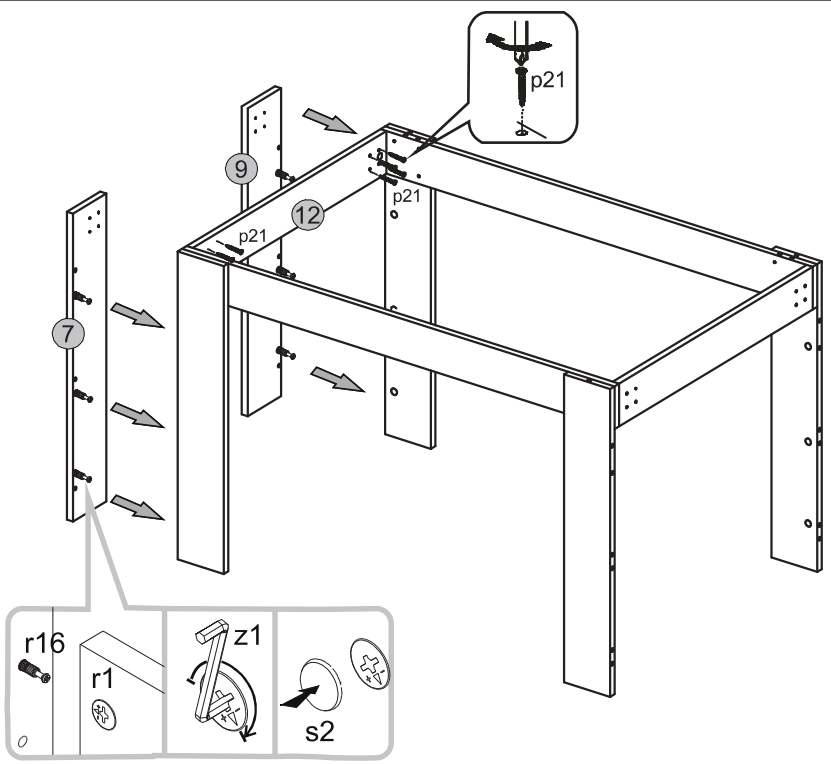


Element symbol	Dimensions			Code	Package
1	805	908	1	STOL_160x210.001	1/2
2	805	908	1	STOL_160x210.002	1/2
3	500	932	1	STOL_160x210.003	1/2
4	1512	100	1	STOL_160x210.004	2/2
5	1512	100	1	STOL_160x210.005	2/2
6	729	120	1	STOL_160x210.006	1/2
7	729	120	2	STOL_160x210.007	1/2
8	729	120	1	STOL_160x210.008	1/2
9	729	120	2	STOL_160x210.009	2/2
10	729	120	1	STOL_160x210.010	1/2
11	729	120	1	STOL_160x210.011	1/2
12	780	100	2	STOL_160x210.012	2/2
13	780	100	2	STOL_160x210.013	2/2

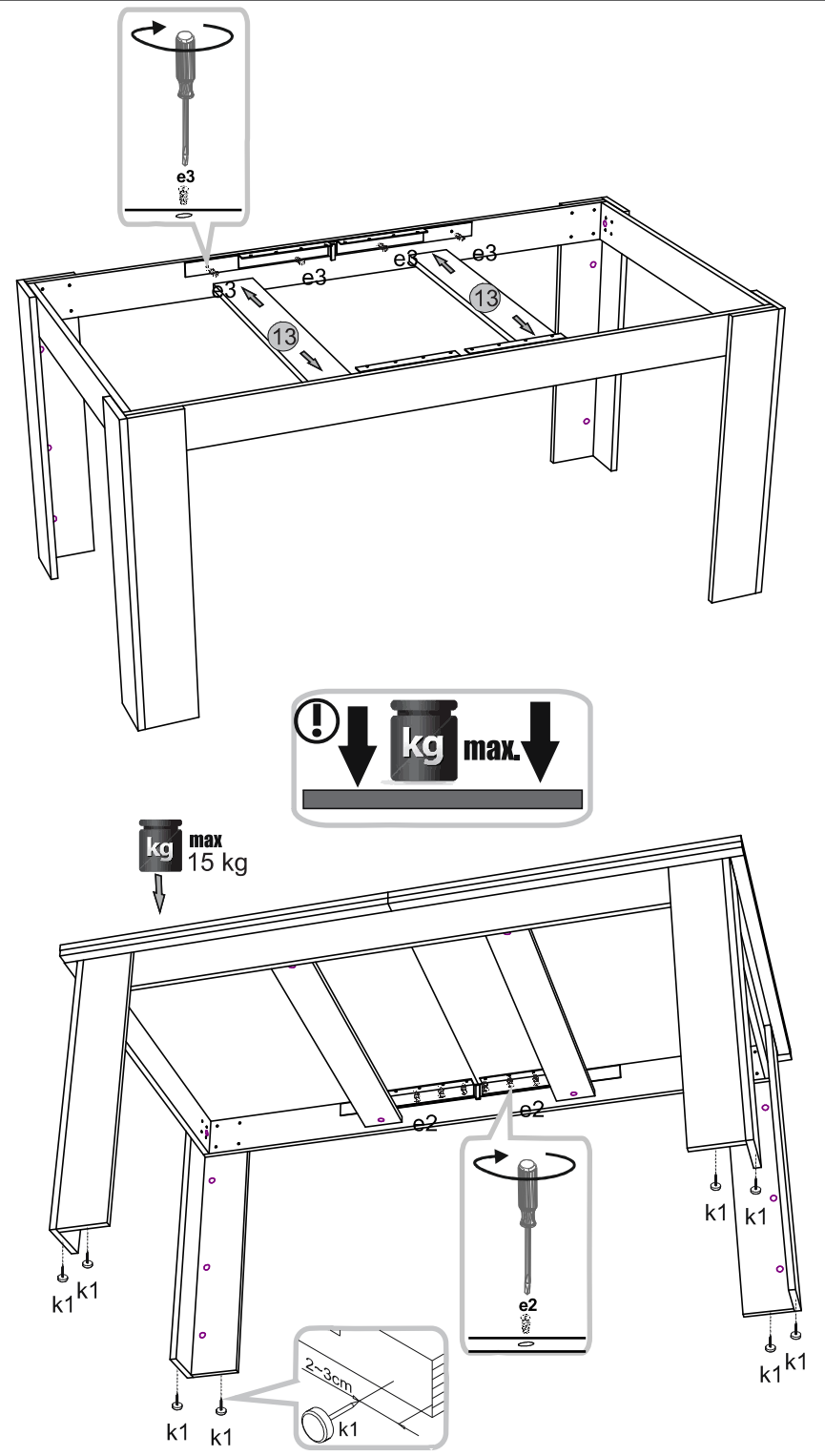




5



7



6

