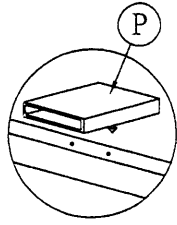
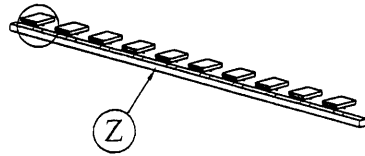


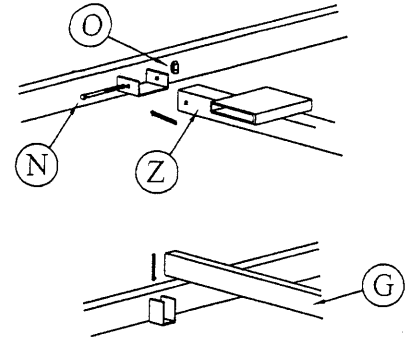
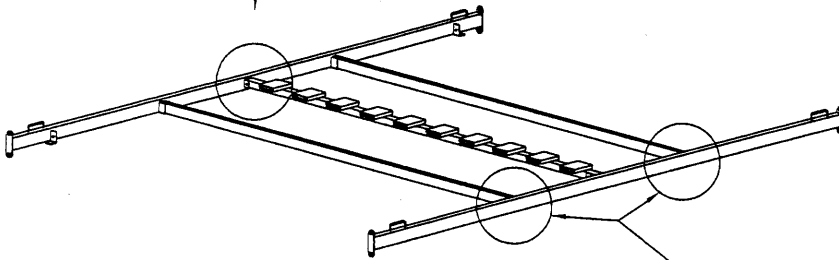
# QUEEN BED



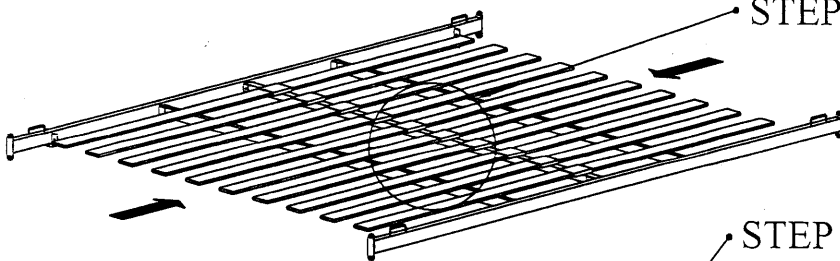
STEP 1 : PUT "P" (10 pcs) JOINT TOGETHER WITH "Z" (AS DRAWING).



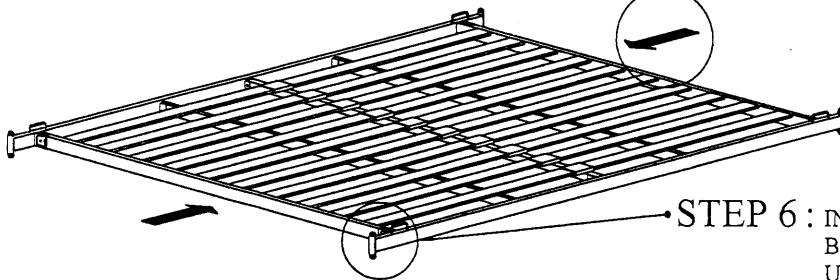
STEP 2 : PUT "Z" (1pc) JOINT TOGETHER (2pcs) OF "E" IS REQUIRE ON EACH SIDE AND JOINT TOGETHER WITH SCREW "N" AND "O"(AS DRAWING).



STEP 3 : (2pcs) OF "G" TO SLOT PARALLELLY WITH "E" (AS DRAWING).

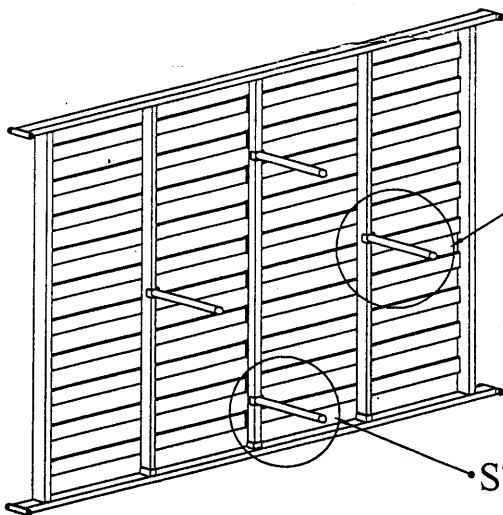
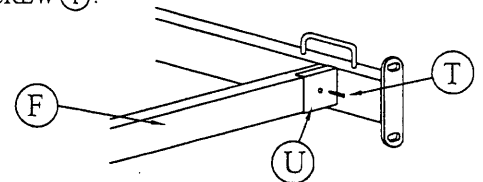


STEP 4 : INSERT THE "D" WOODEN BED SLAT INTO "Z" WITH HPLE RESPECTIVELY ON EACH SIDE (AS DRAWING) AND AL TOGETHER (20PCS) IN TOTAL.



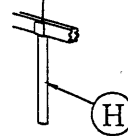
STEP 5 : ENSURE ALL "D" WOODEN BED SLAT ARE SLOT PROPERLY BEFORE "F" IS CLOSE UP NICELY ON EACH SIDE.

STEP 6 : INSERT (4pcs) OF "U" INTO THE TOP AND BOTTOM OF "F" (AS DRAWING) AND TIGHTEN UP THE SCREW (T).



STEP 7 : (2pcs) OF "H" IS REQUIRE TO HOLD AND SUPPORT THE "Z" (AS DRAWING) TIGHTEN AND FIX WITH (N).

Use (N) To Fixed



STEP 8 : (2pcs) OF "I" IS REQUIRE TO HOLD AND SUPPORT THE "G" (AS DRAWING) TIGHTEN AND FIX WITH (M).

Use (M) To Fixed

