

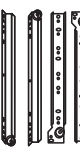



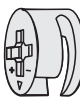


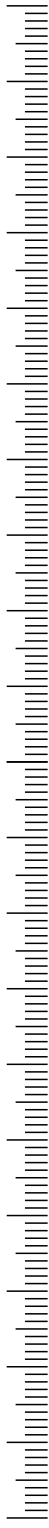
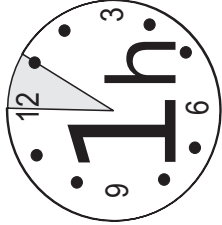
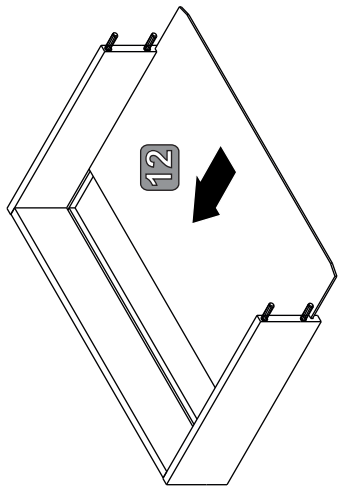
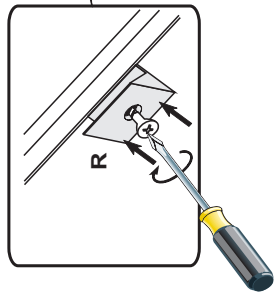
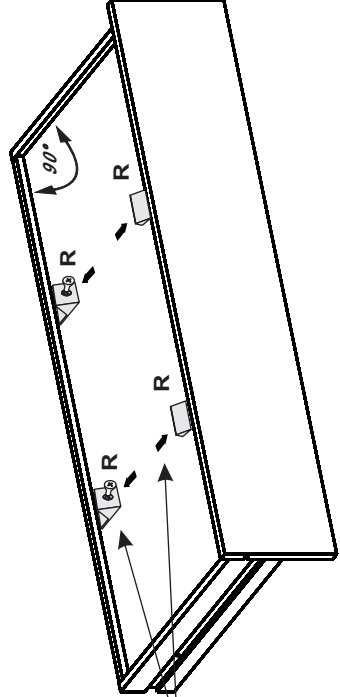
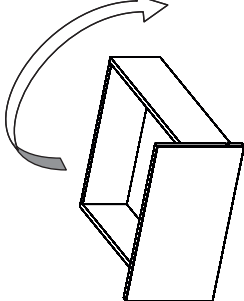
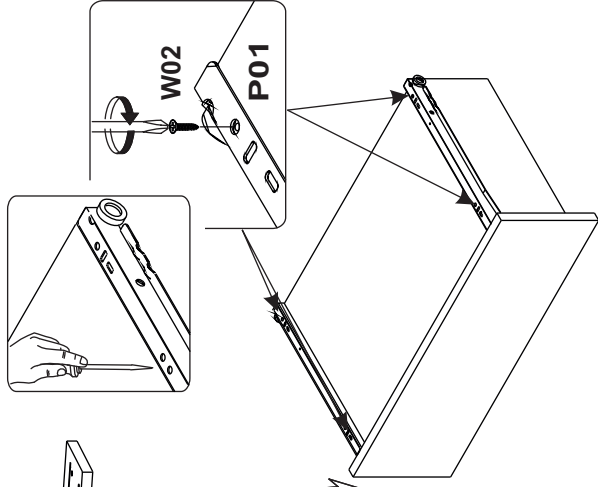
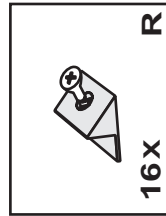
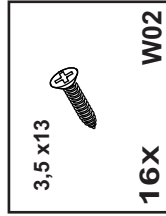
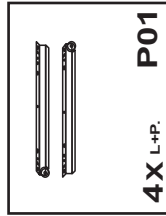
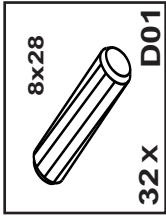
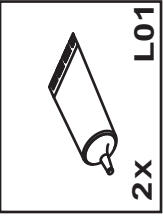
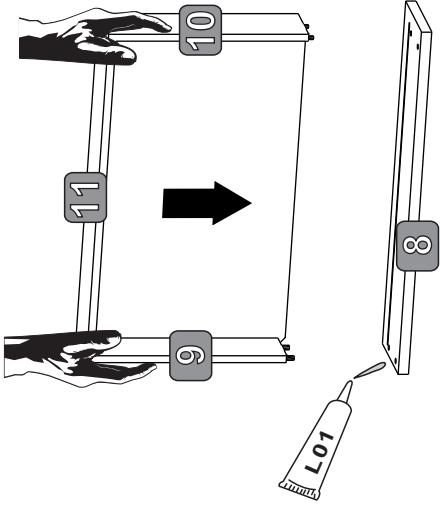
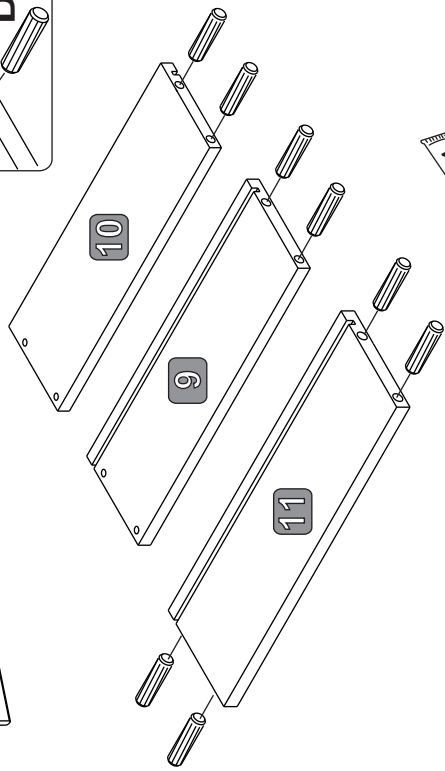
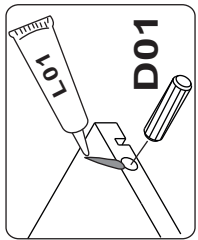
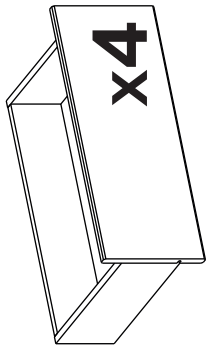
 3,5x13  32 X W02	 4X S01
 4X L+P P01	 30X G01
 2X L01	 8x28 52X D01
 16X T02	 16X T01
 16X R	

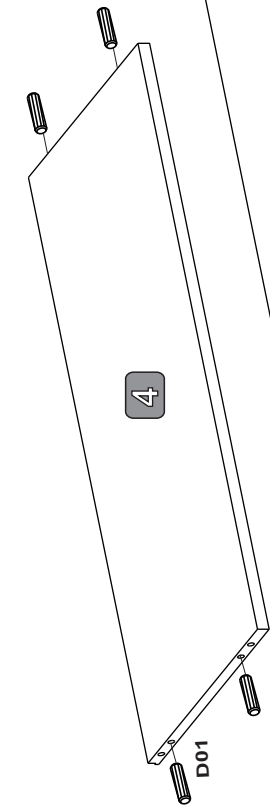
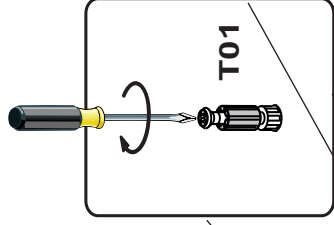
0 10 20 30 40 50 60 70 80 90 100 110 120 130 140 150 160 170 180 190 200



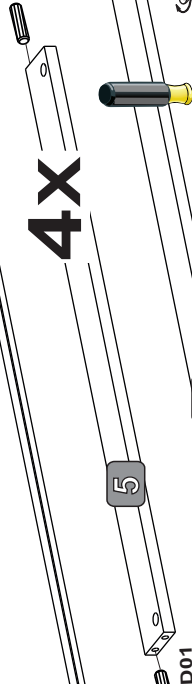
1



3,5 x13	W02
16 X	W02
4X L+P	P01
16X	T01
8x28	D01
20X	D01



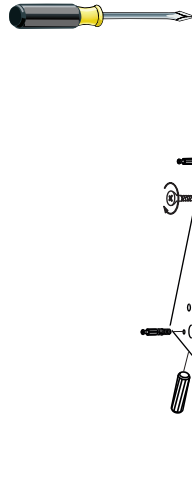
3



4X

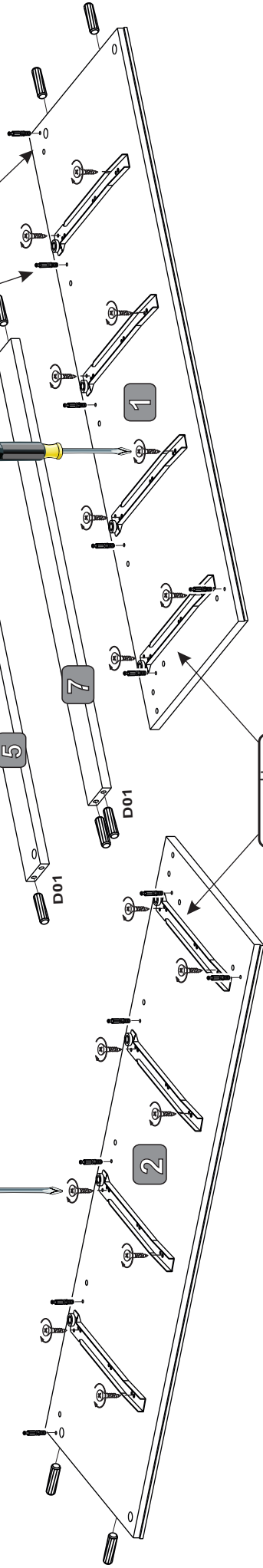
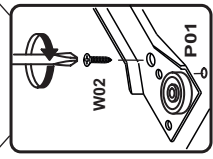
7

1

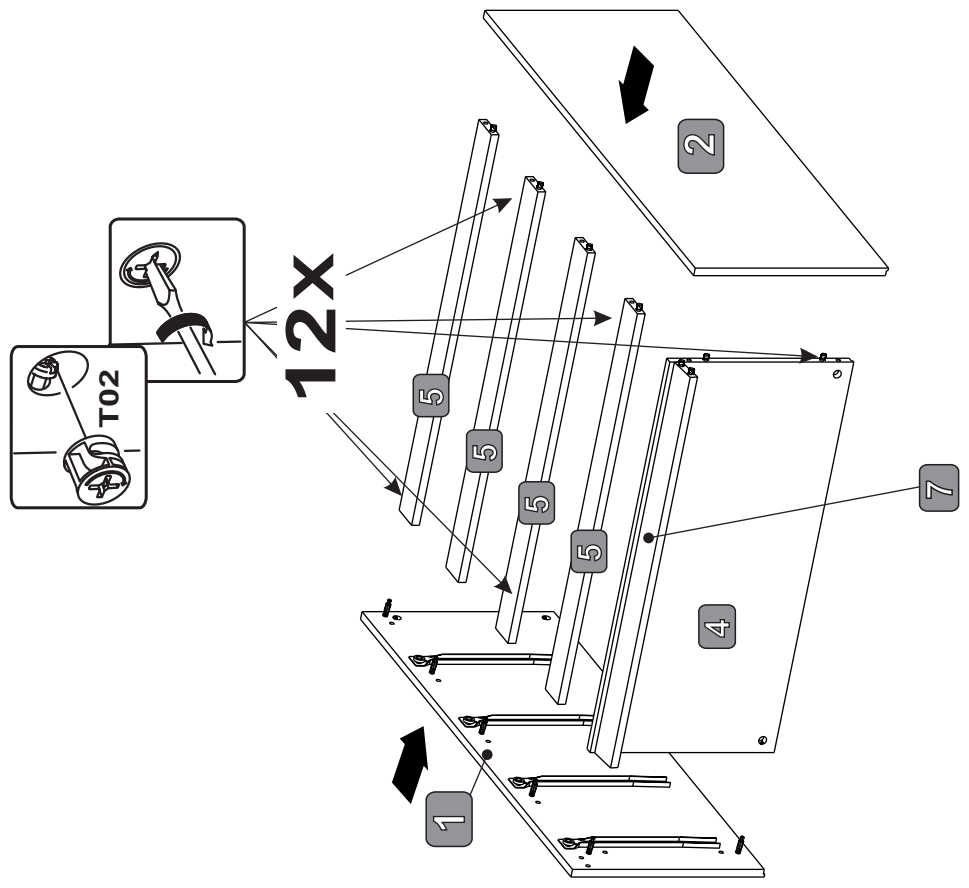
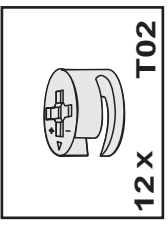


2

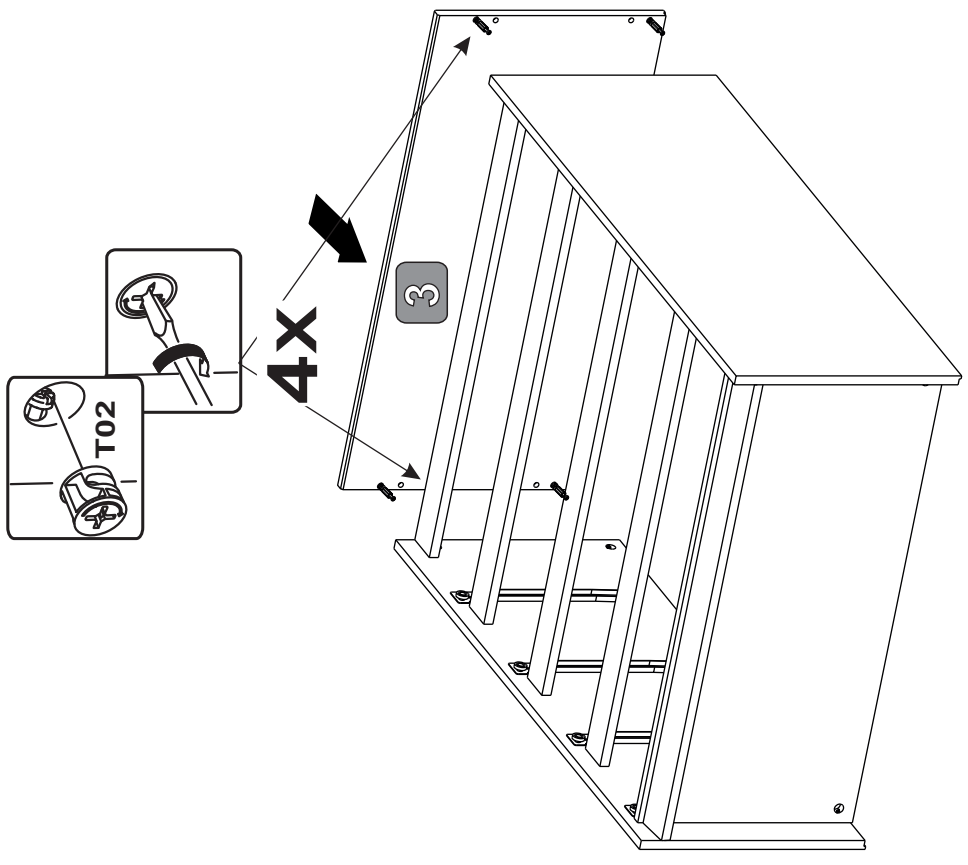
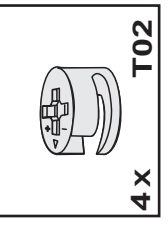
7



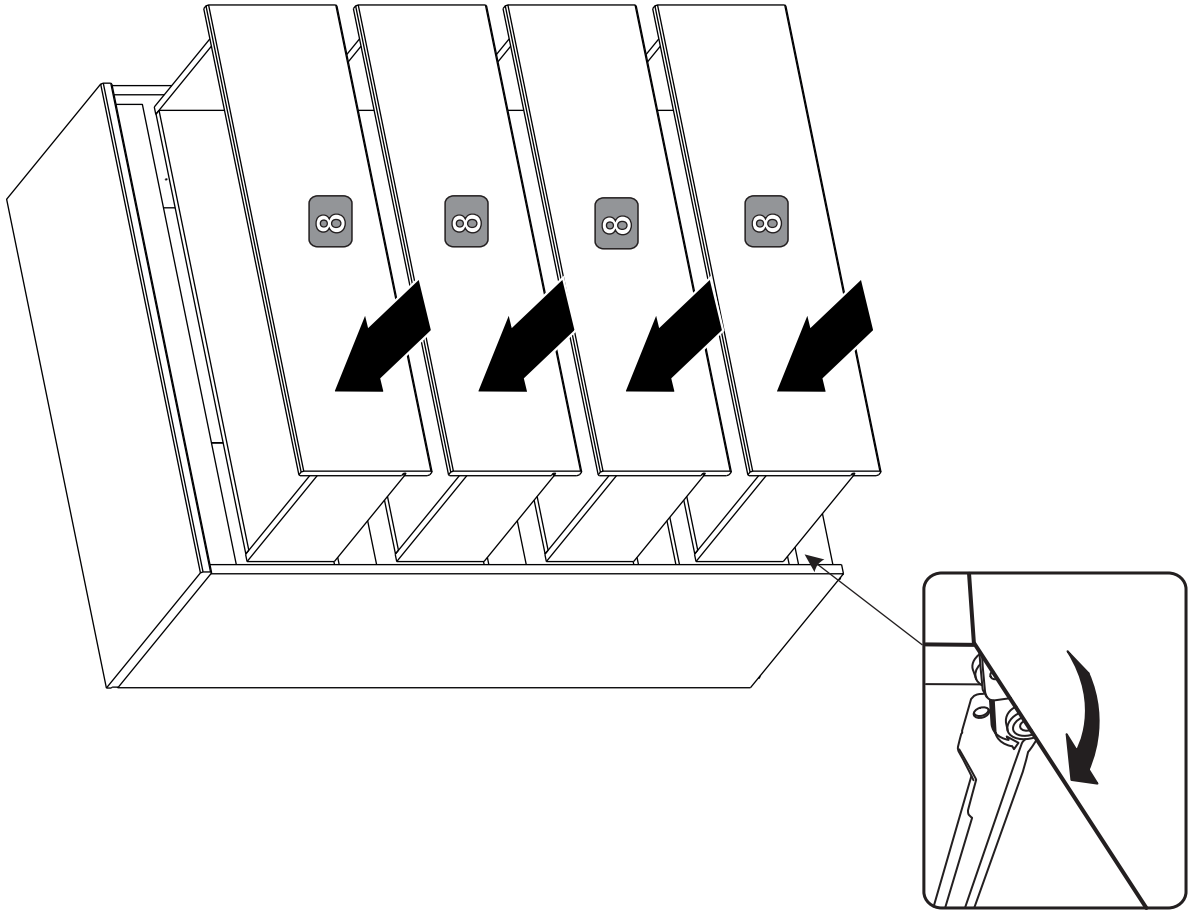
3



4



6



5

- 30 X G01 4 X S01

