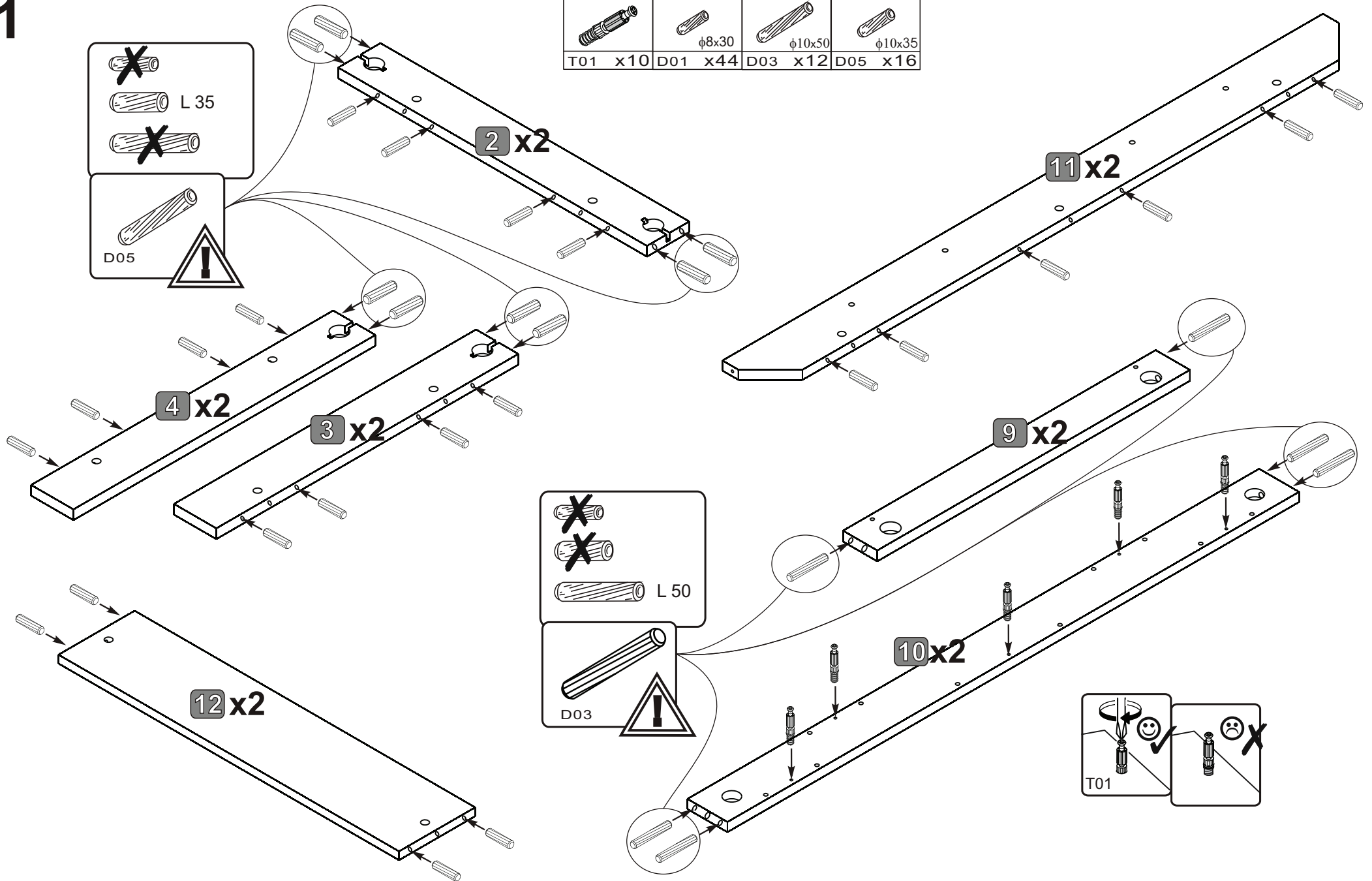


0 10 20 30 40 50 60 70 80 90 100 110 120 130 140 150 160 170 180 190 200

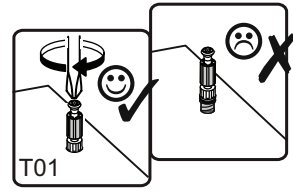
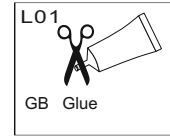
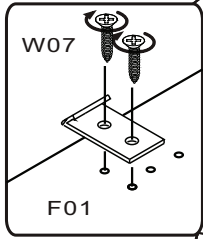
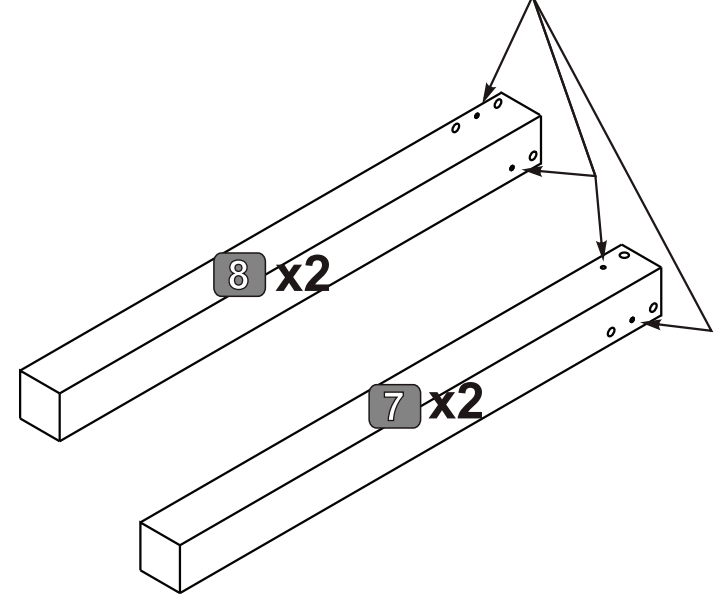
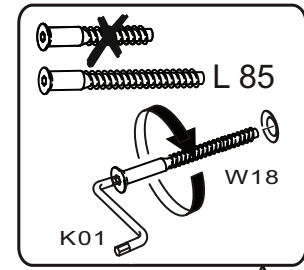
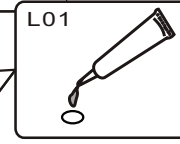
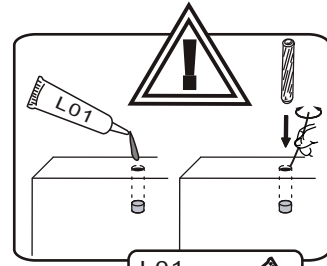
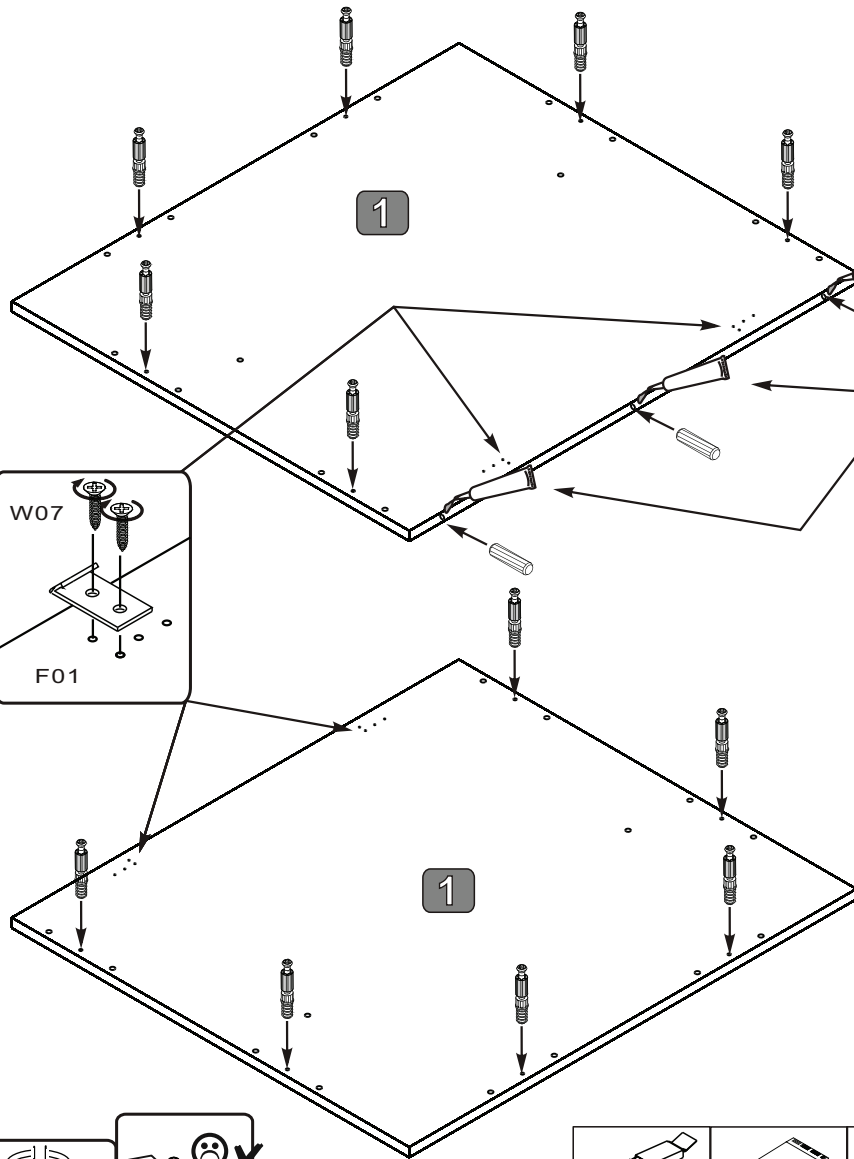


1

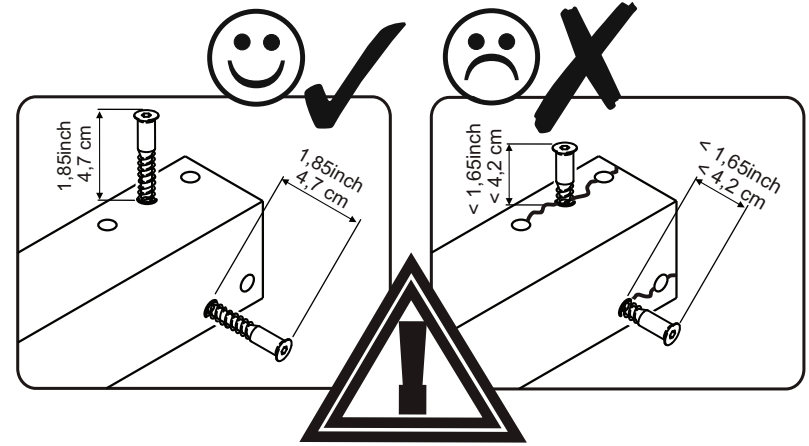
T01 x10	φ8x30 D01 x44	φ10x50 D03 x12	φ10x35 D05 x16



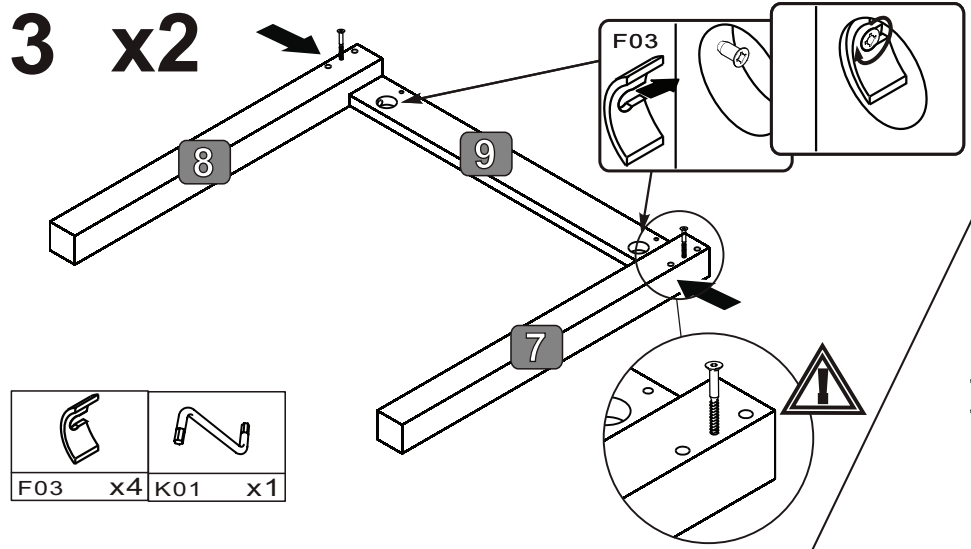
2



F01 x4	L01 x1	W07 x8
W18 x8	K01 x1	T01 x10
		D01 x3

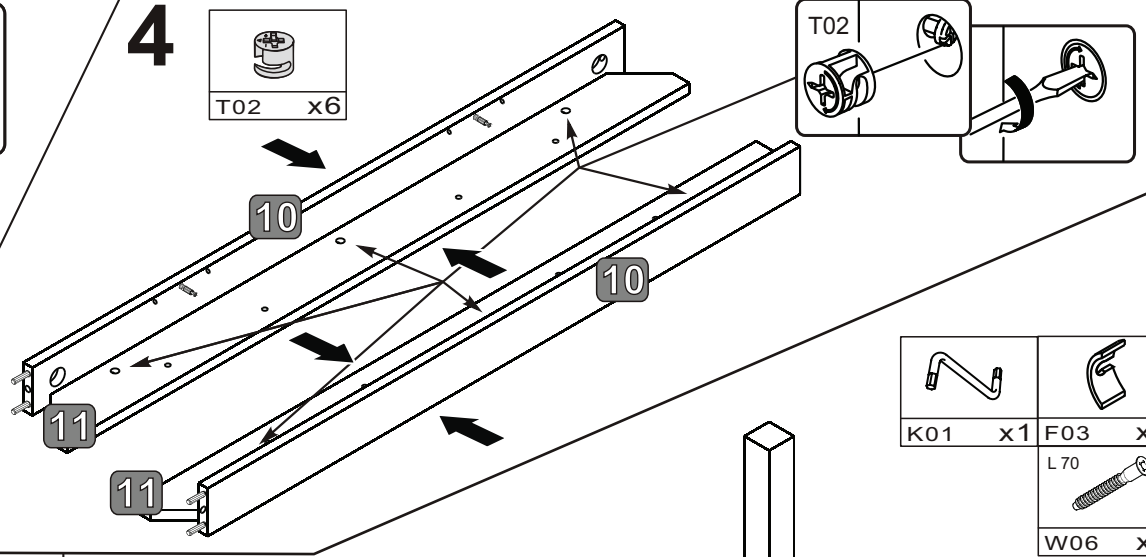


3 x2

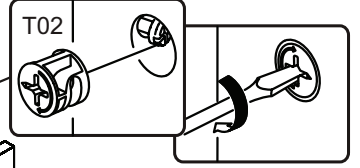


F03 x4	K01 x1

4

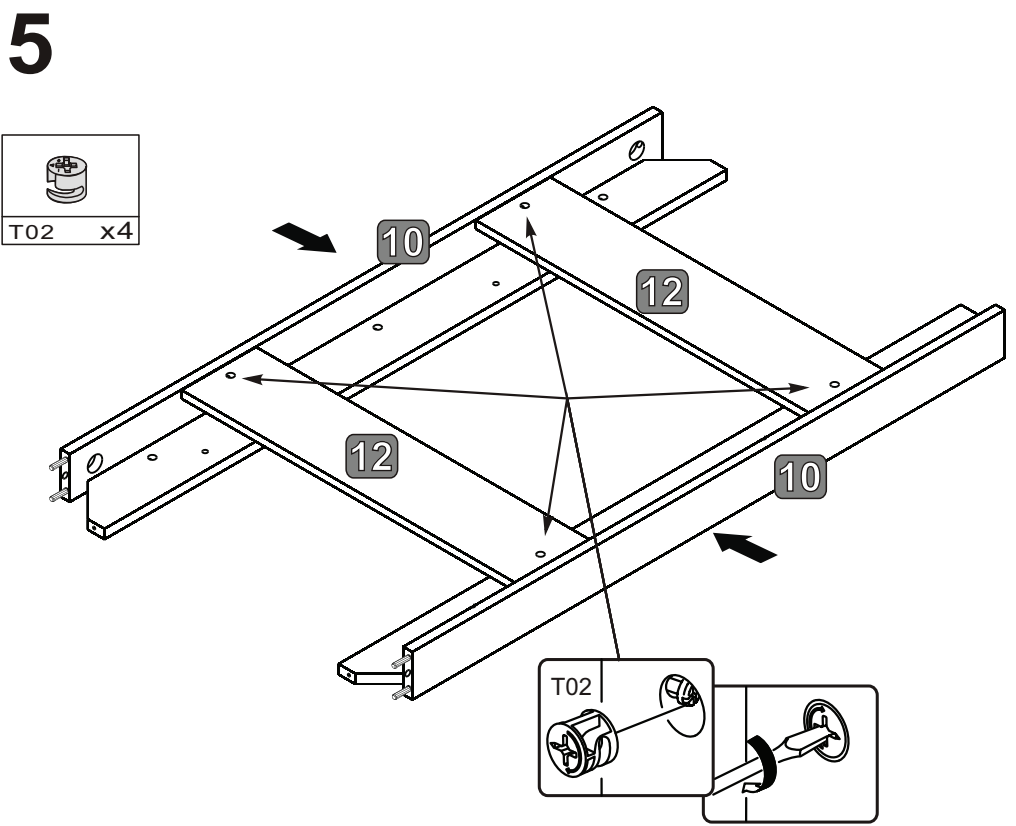


T02 x6

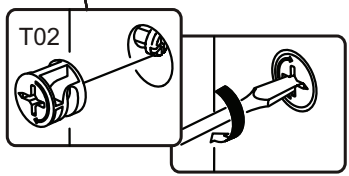


K01 x1	F03 x4
L 70	
W06 x4	

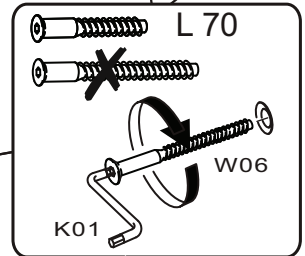
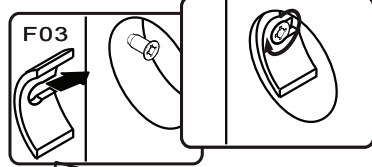
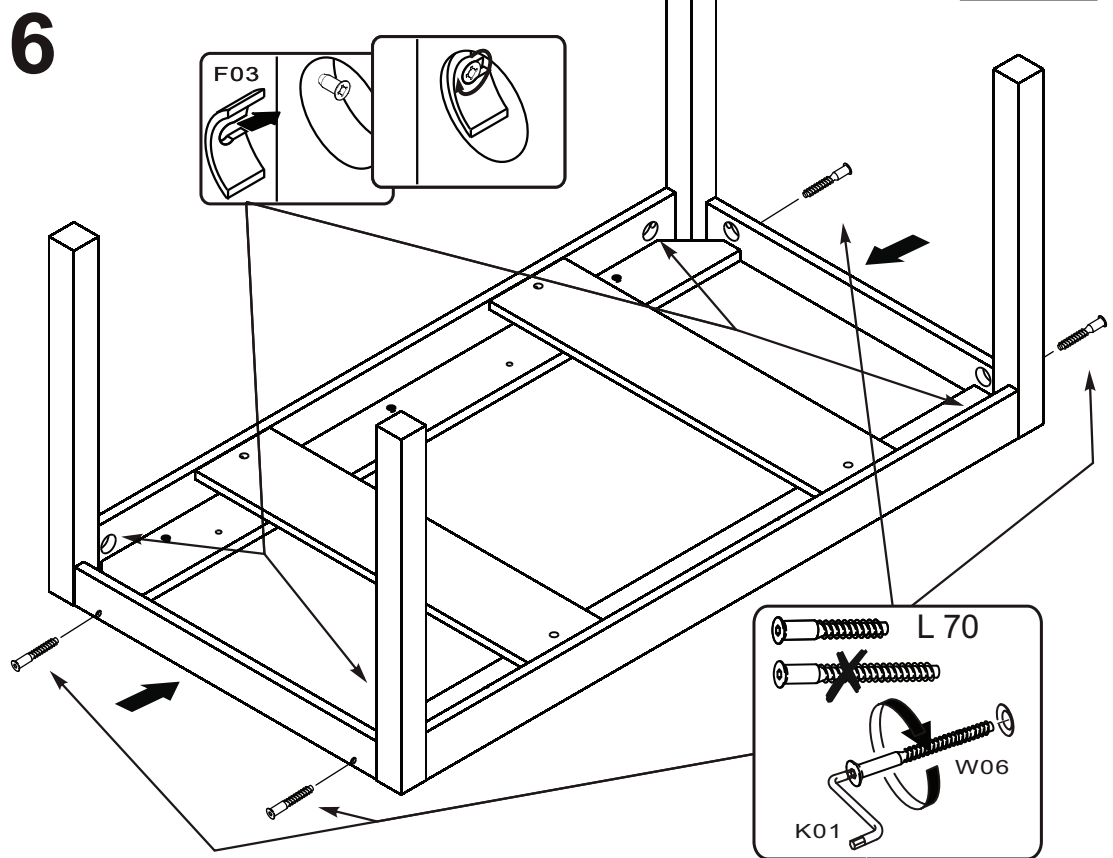
5



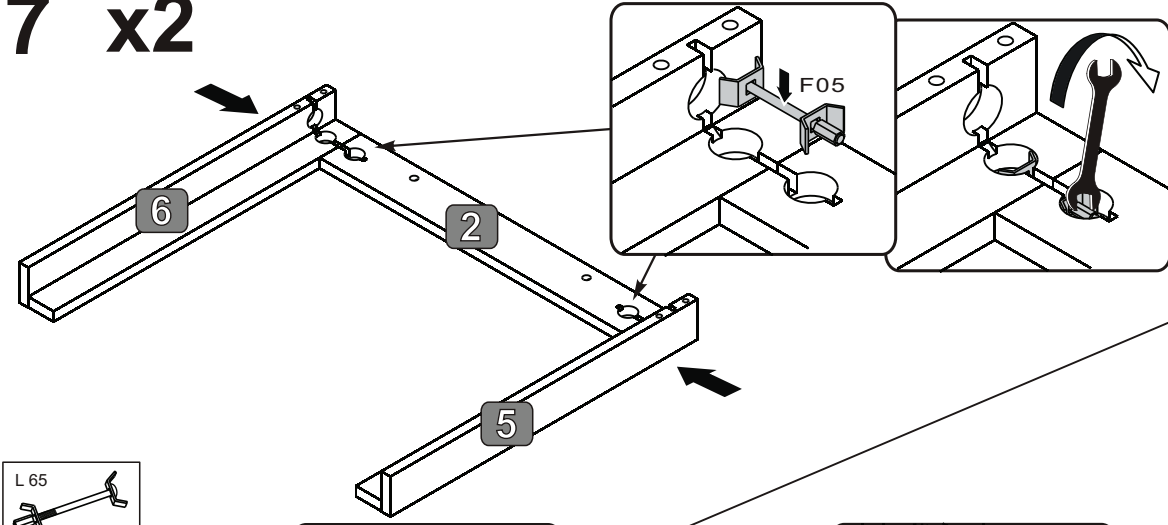
T02 x4




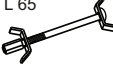
6



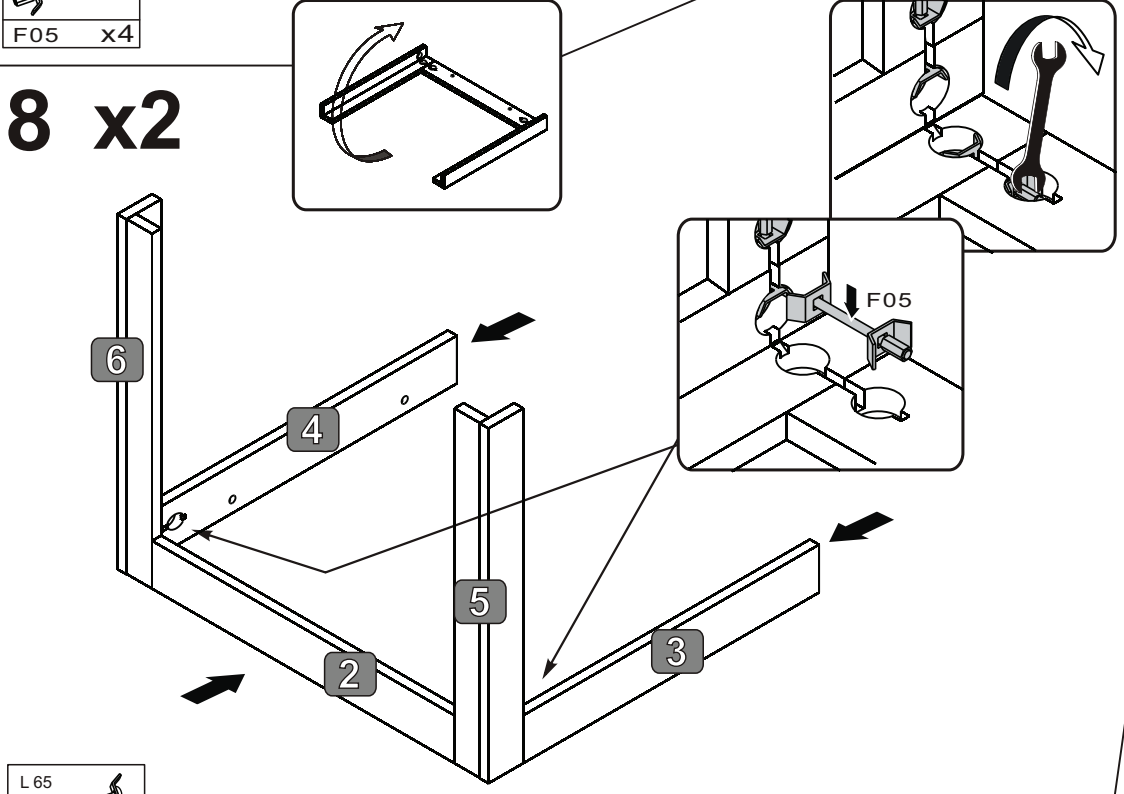
7 x2





T02 x12

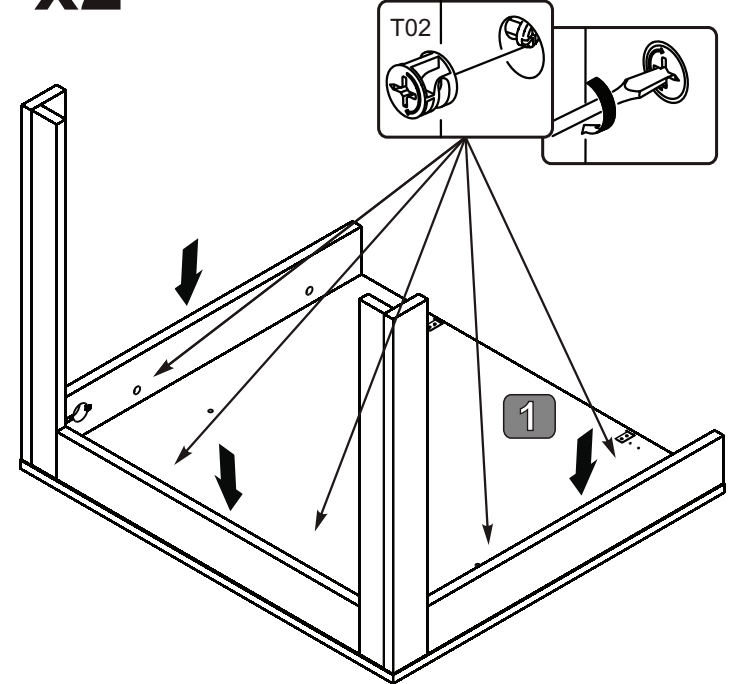
L 65

F05 x4



8 x2



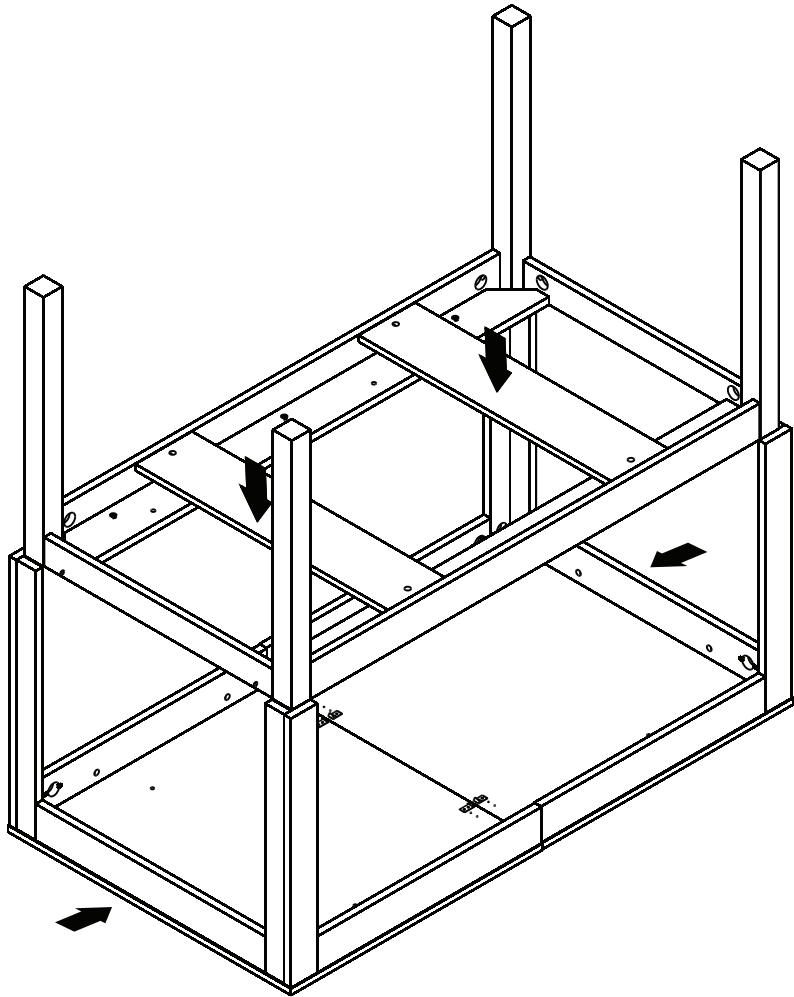
L 65

F05 x4

9 x2

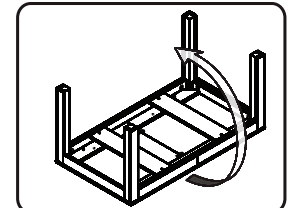
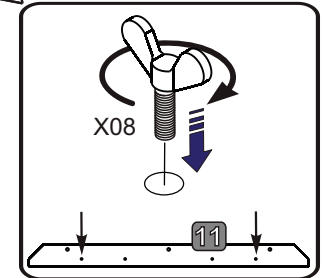
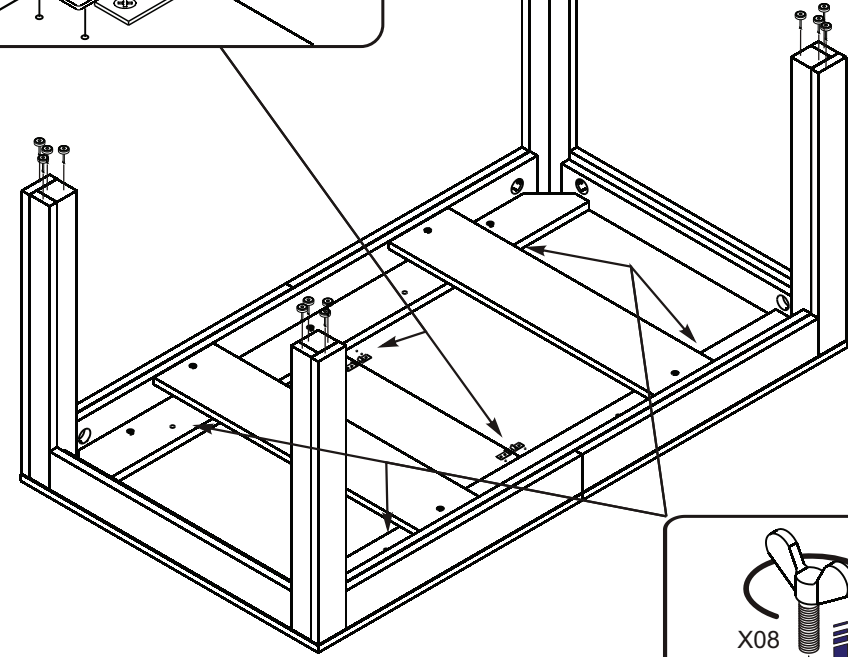
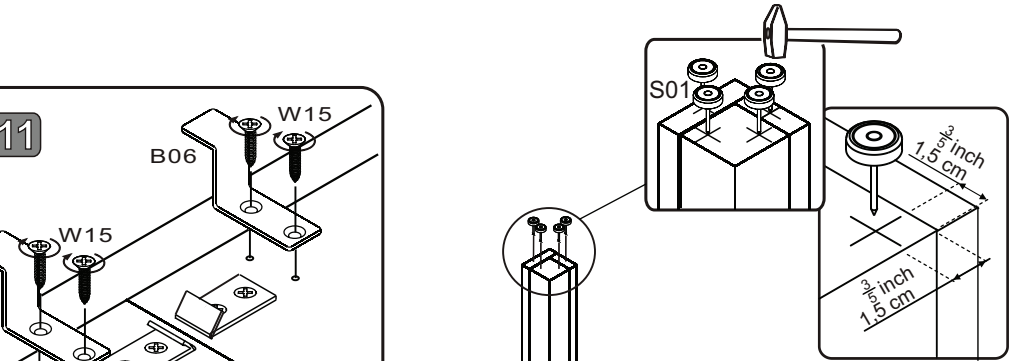
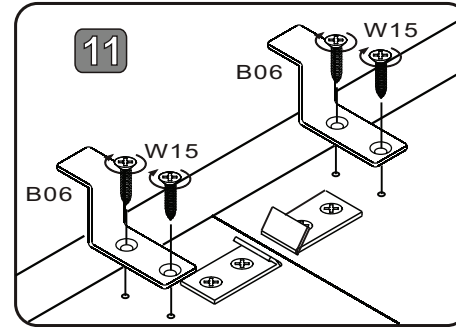






T02



10

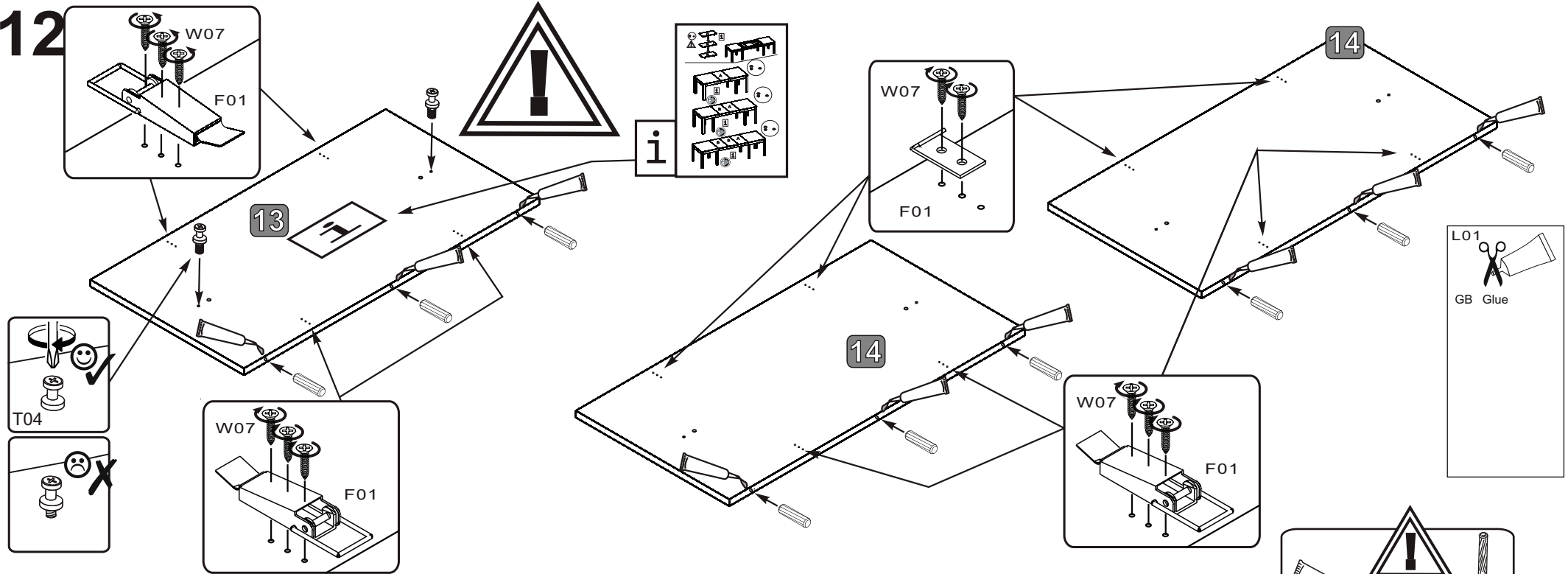


11

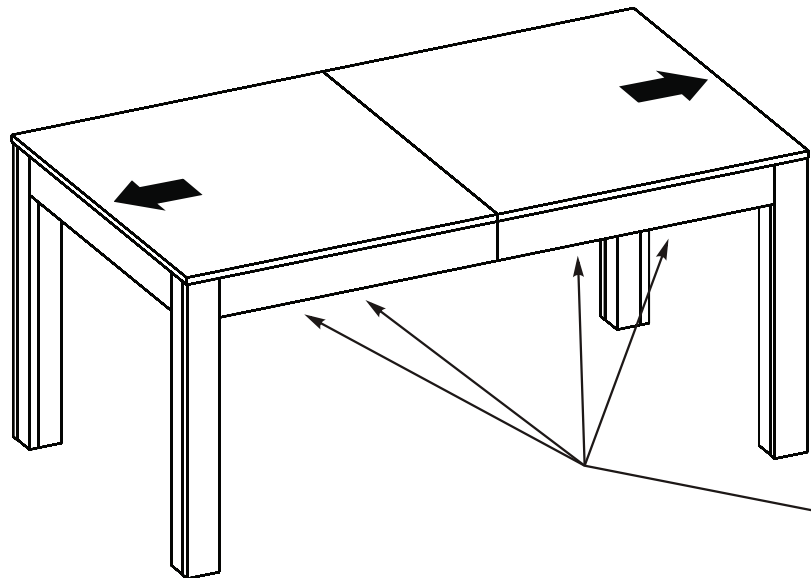





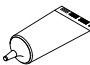
			
S01 x16	B06 x4	X08 x4	W15 x8

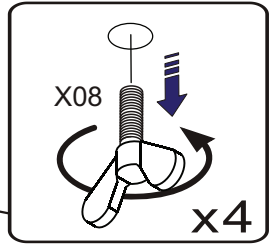
12



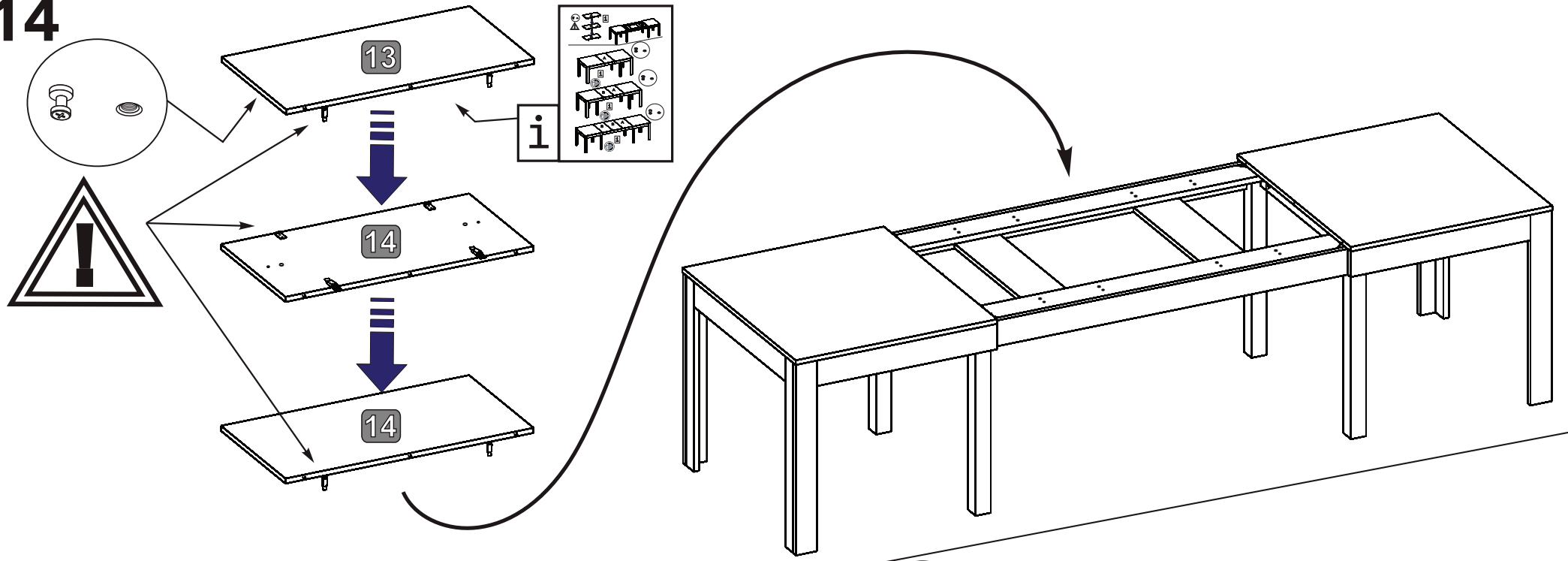
13



			
D01 x9	T04 x02	W07 x32	L01 x1



14



15

