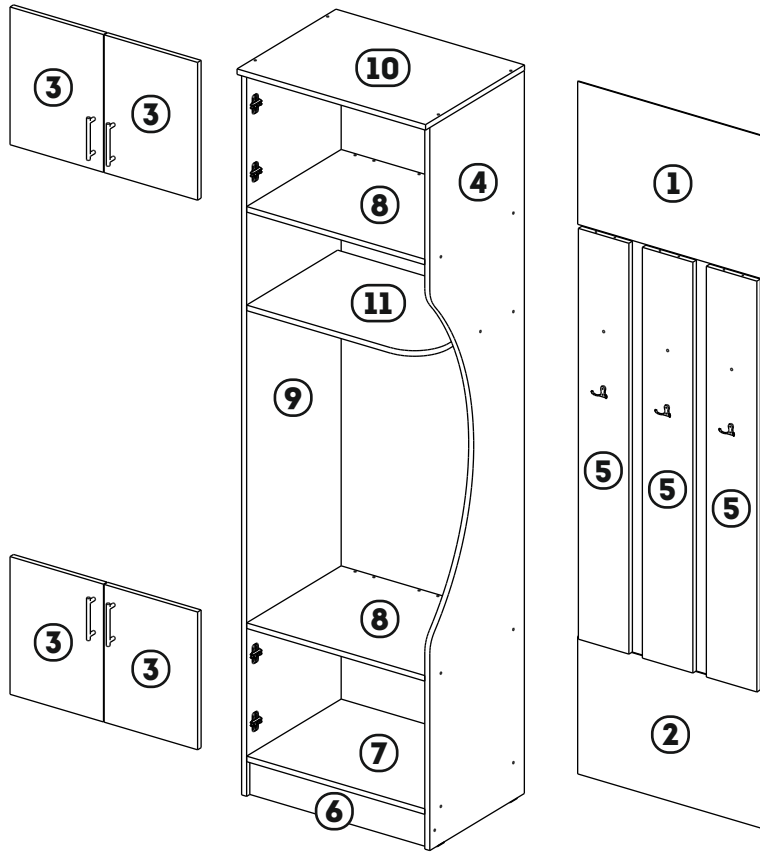
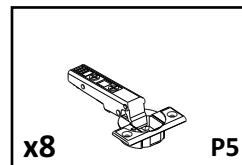
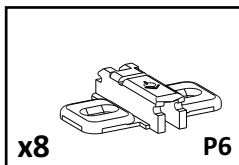
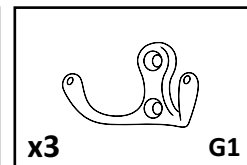
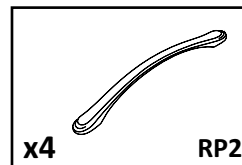
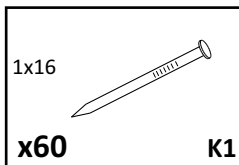
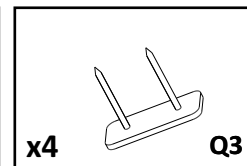
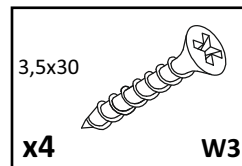
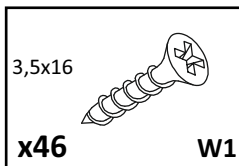
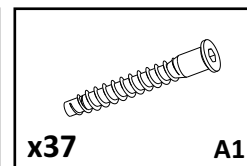
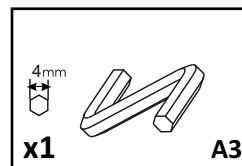
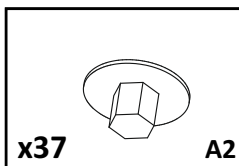
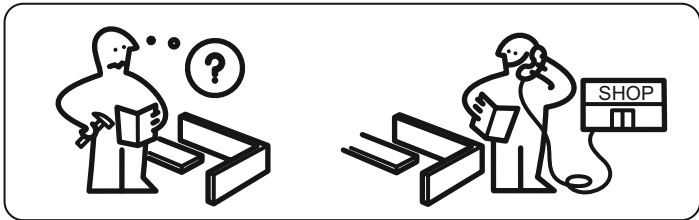
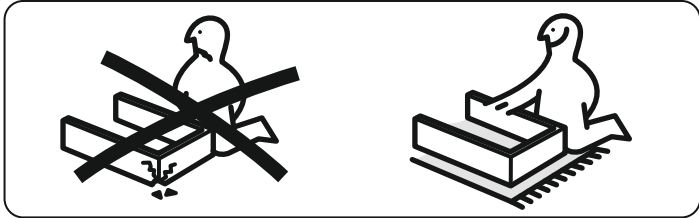
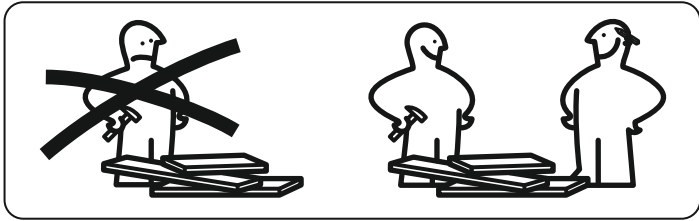


B-1
(2100×600×450)



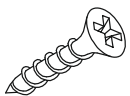
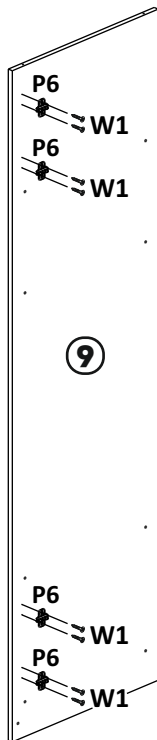
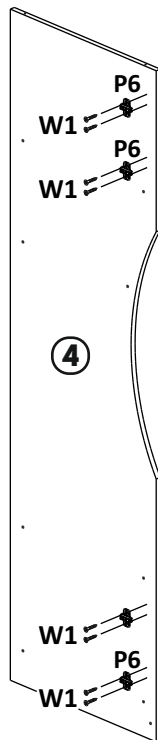
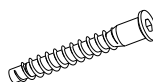
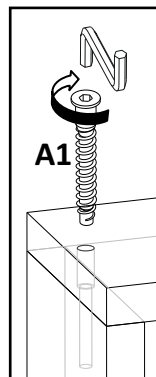
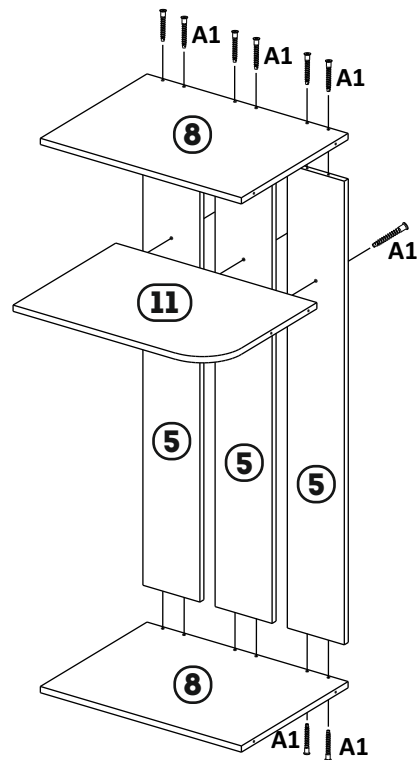
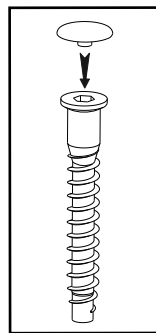
No	a*b	X
1	412x596	1
2	396x596	1
3	397x298	4
4	2084x430	1
5	1184x161	3
6	568x100	1
7	568x430	1
8	568x430	2
9	2084x430	1
10	601x450	1
11	568x414	1



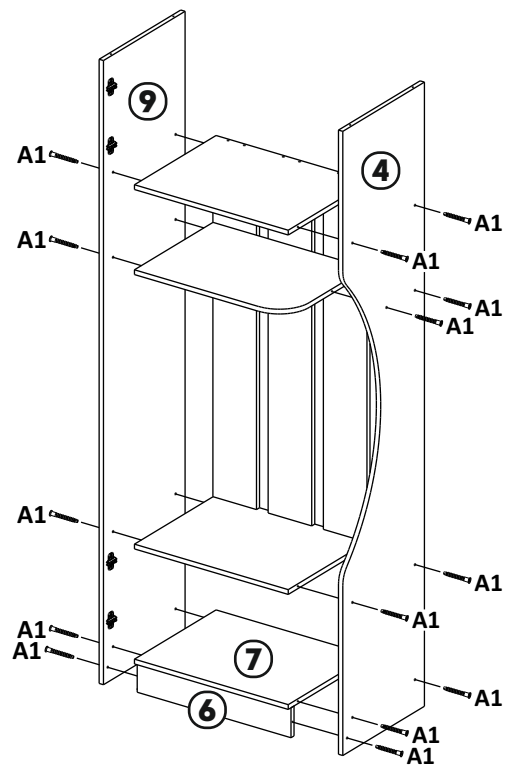
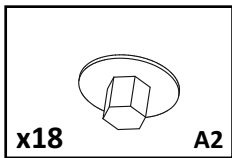
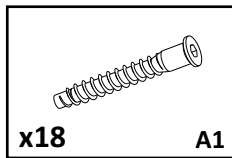


1

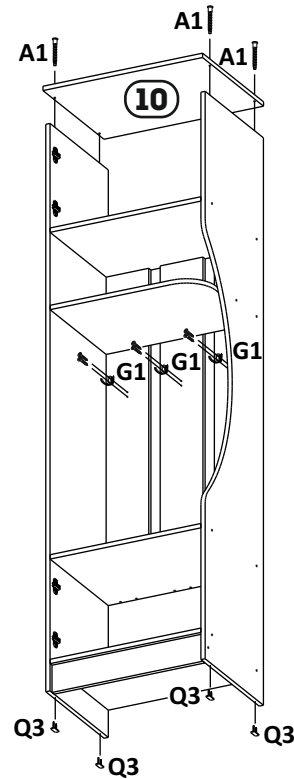
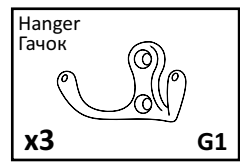
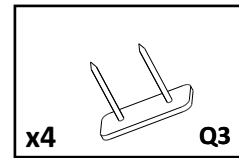
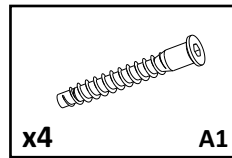
3,5x16

**x16****W1****x8****P6****9****4****2****x15****A1****x15****A2****A1**

3

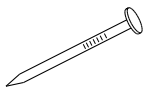
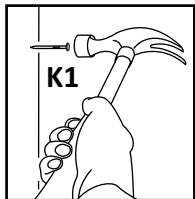
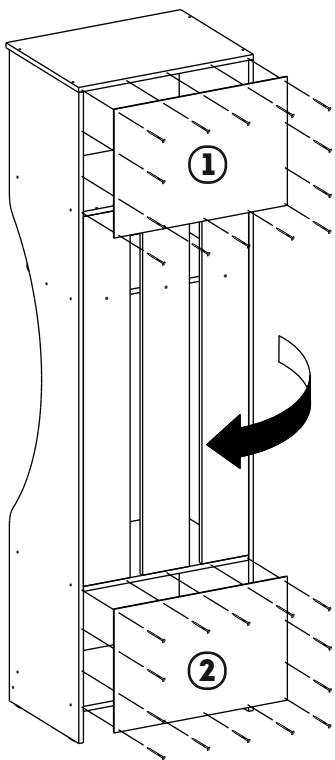
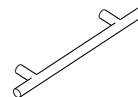


4

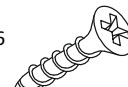
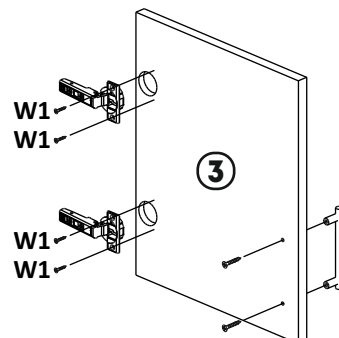
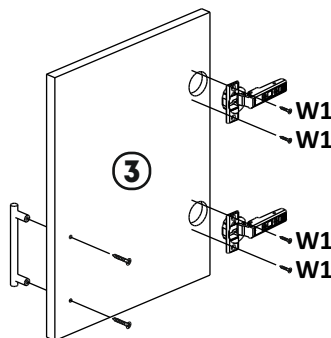
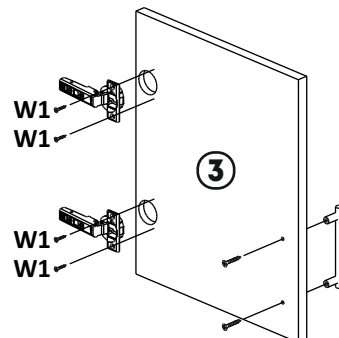
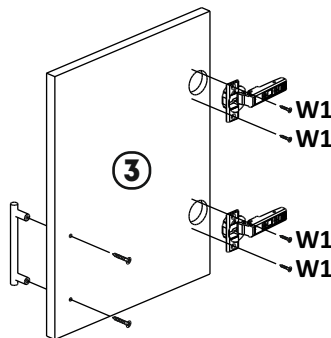


5

1x16

**x60****K1****K1****6****x8****P5****x2****RR 1**

3,5x16

**x16****W1****7**

7

